



US00D600875S

(12) **United States Design Patent**  
**Hermans**

(10) **Patent No.:** **US D600,875 S**

(45) **Date of Patent:** **\*\* Sep. 22, 2009**

(54) **PLINTH**

(76) **Inventor:** **Ty Gerard Hermans**, 359 MacDonnell Road, Clontarf (AU) 4019

(\*\*) **Term:** **14 Years**

(21) **Appl. No.:** **29/325,622**

(22) **Filed:** **Oct. 3, 2008**

(30) **Foreign Application Priority Data**

Apr. 4, 2008 (AU) ..... 11624/2008

(51) **LOC (9) Cl.** ..... **09-08**

(52) **U.S. Cl.** ..... **D34/38**

(58) **Field of Classification Search** ..... D34/38;  
108/51.3, 52.1, 53.1, 53.3, 51.11; 254/88,  
254/94; 248/346.02; 206/386; D25/199;  
D32/55-57; D14/432, 434, 447  
See application file for complete search history.

(56) **References Cited**

**U.S. PATENT DOCUMENTS**

- 3,699,901 A \* 10/1972 Cook, III ..... 108/57.25
- 3,707,127 A \* 12/1972 Palfey ..... 108/53.3
- D225,841 S \* 1/1973 Skendrovic ..... D34/38
- D228,896 S \* 10/1973 Melnick et al. .... D34/38
- D229,042 S \* 11/1973 Melnick et al. .... D34/38
- D231,096 S \* 4/1974 Adam ..... D34/38
- D252,114 S \* 6/1979 Carroll et al. .... D3/314

- D295,568 S \* 5/1988 Rothwell et al. .... D34/38
- D417,765 S \* 12/1999 Morello ..... D34/38
- D459,050 S \* 6/2002 Meyer ..... D34/38
- 6,584,914 B1 \* 7/2003 Koefeld ..... 108/54.1
- D499,574 S \* 12/2004 Spicer ..... D6/406.3
- D508,300 S \* 8/2005 O'Dell et al. .... D34/38
- D531,378 S \* 10/2006 Angel et al. .... D34/31
- D554,825 S \* 11/2007 Lux, Jr. .... D34/38
- D571,486 S \* 6/2008 Miller et al. .... D25/133

\* cited by examiner

*Primary Examiner*—Cynthia E Ramirez

(74) *Attorney, Agent, or Firm*—Abelman, Frayne & Schwab

(57) **CLAIM**

The ornamental design for a plinth, as shown and described.

**DESCRIPTION**

FIG. 1 is a top, front, right side perspective view of a plinth showing my new design;

FIG. 2 is a bottom front right side perspective view thereof;

FIG. 3 is a top plan view thereof;

FIG. 4 is a bottom plan view thereof;

FIG. 5 is a right side elevational view thereof;

FIG. 6 is a left side elevational view thereof;

FIG. 7 is a front elevational view thereof; and,

FIG. 8 is a rear elevational view thereof.

**1 Claim, 3 Drawing Sheets**

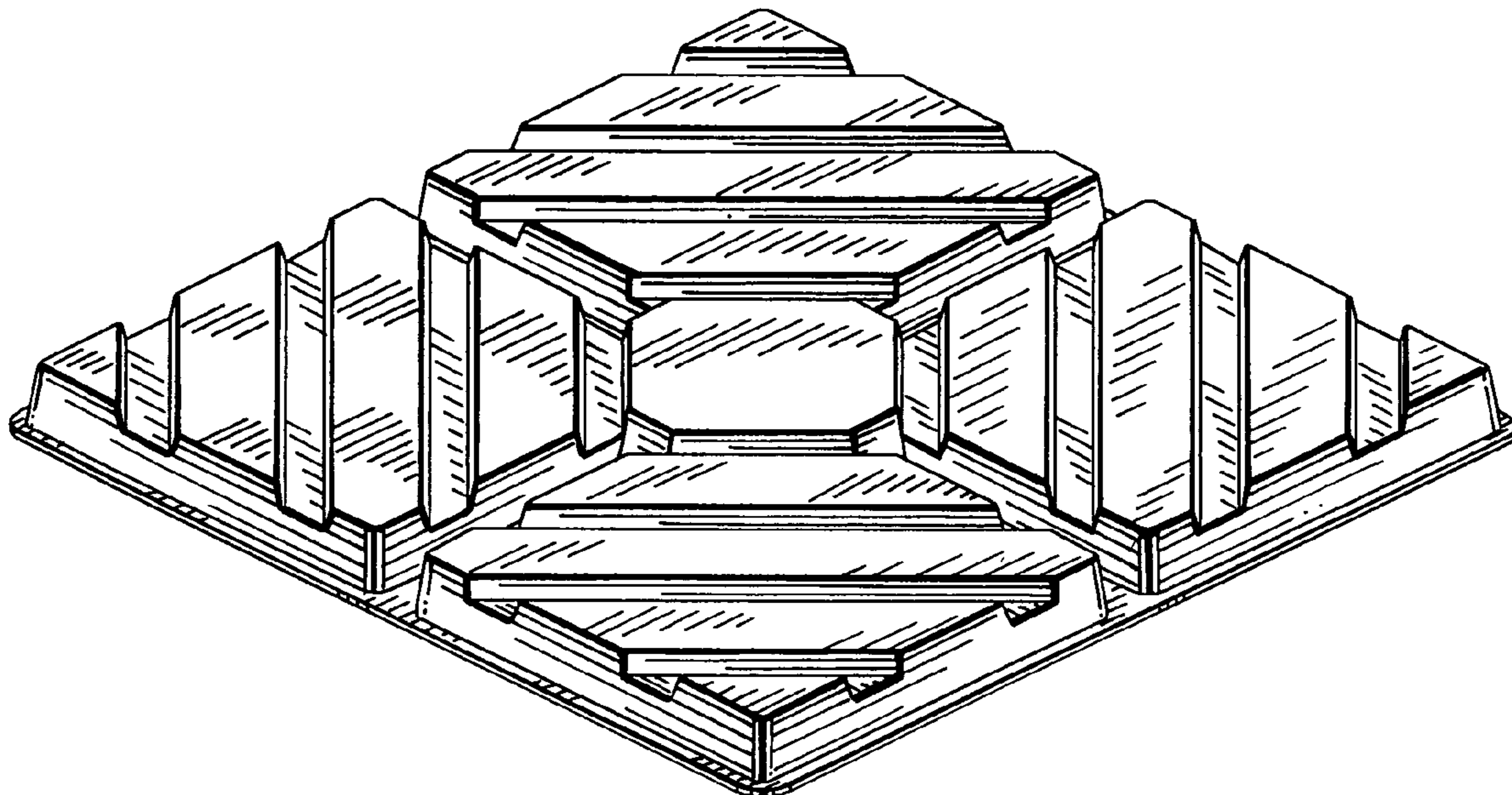


FIG. 1

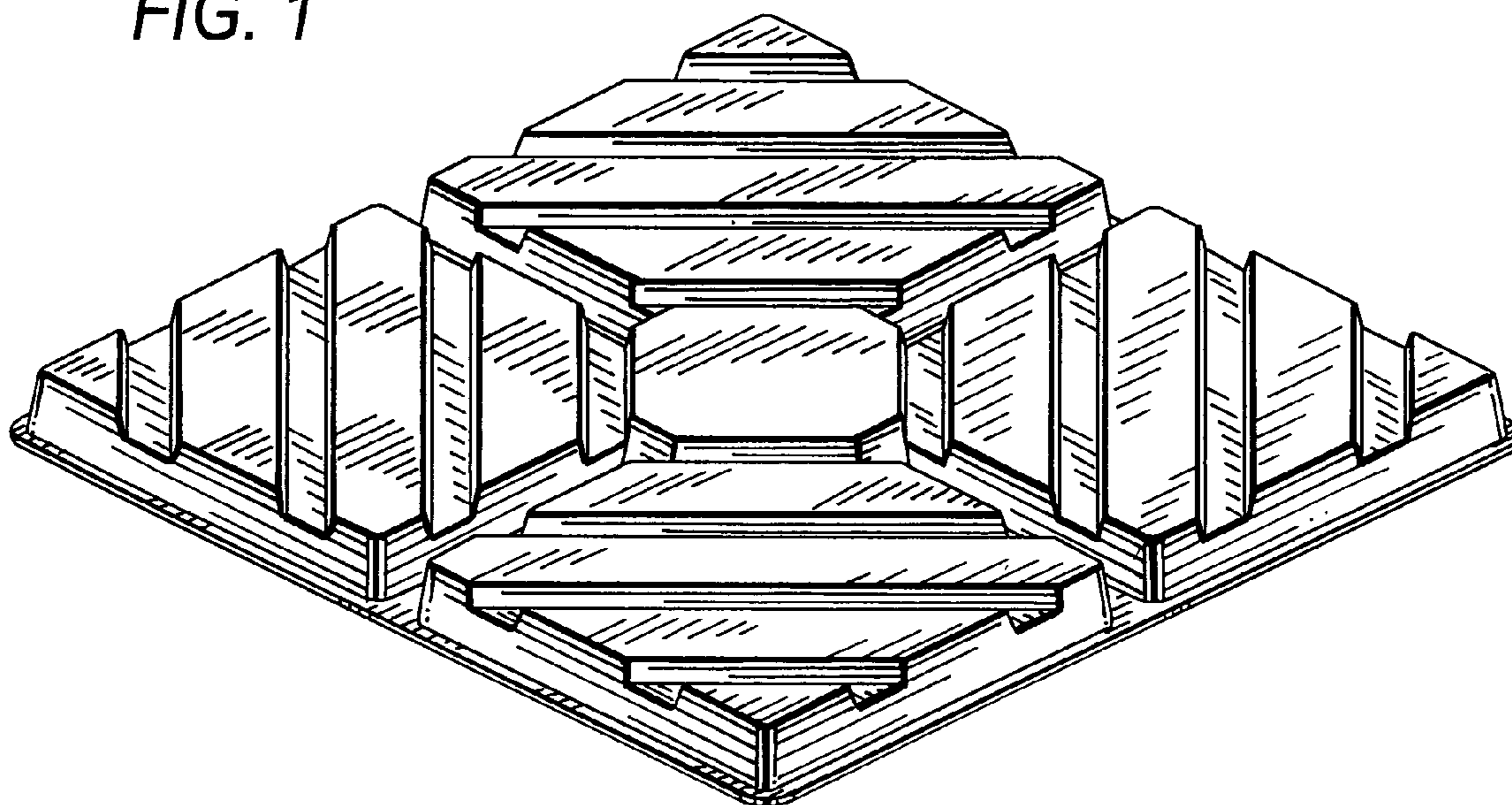


FIG. 2

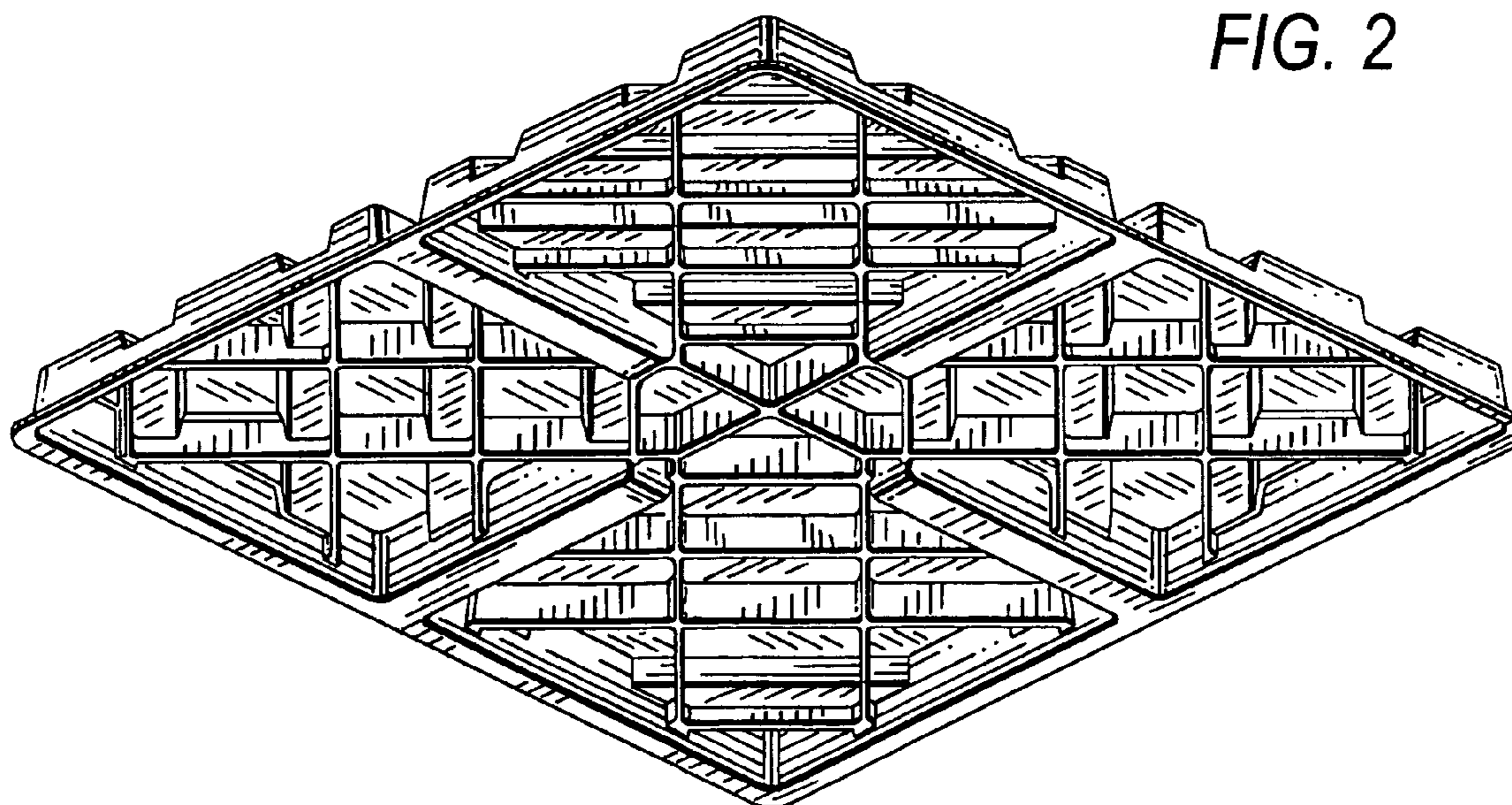


FIG. 3

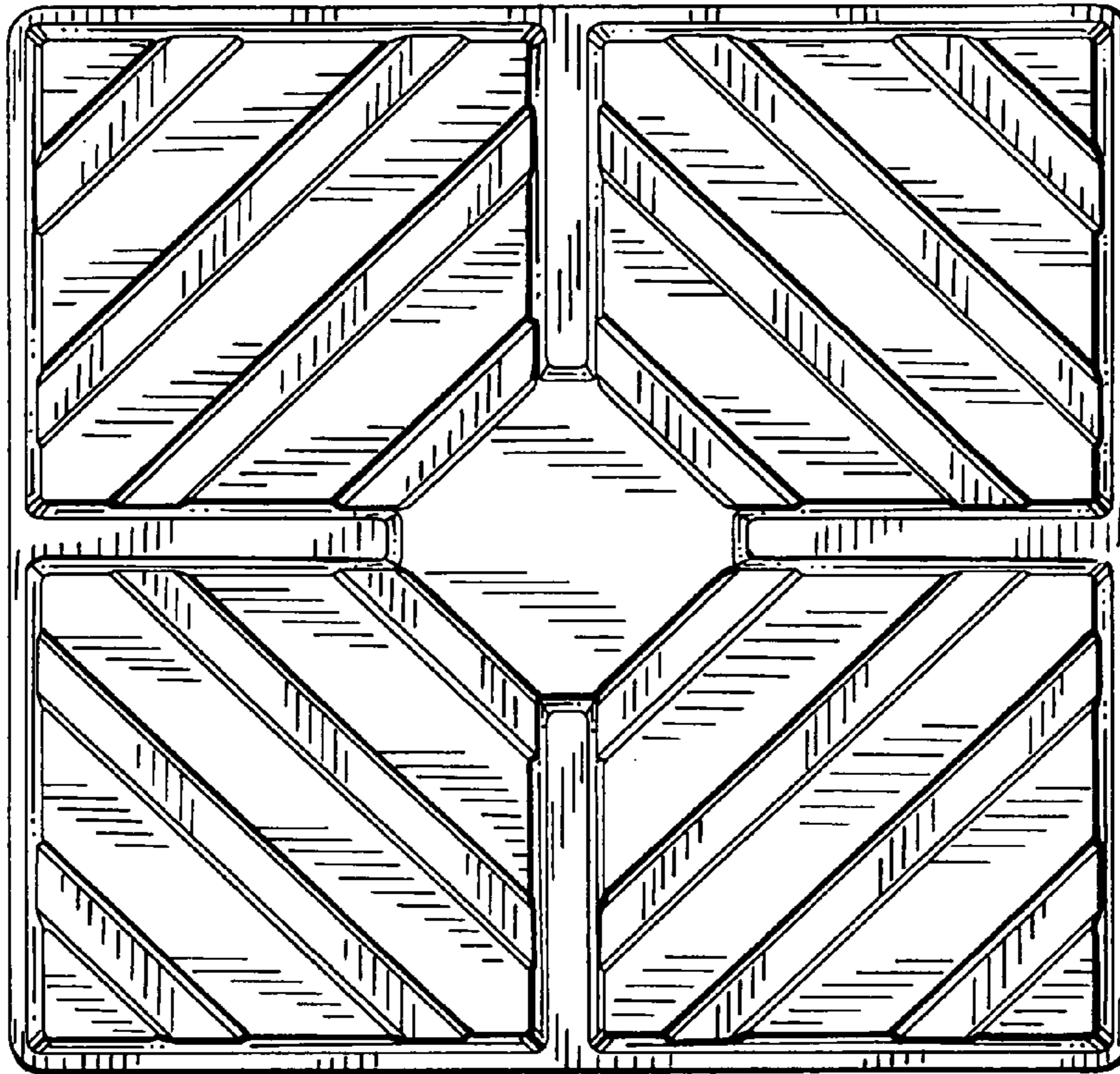


FIG. 4

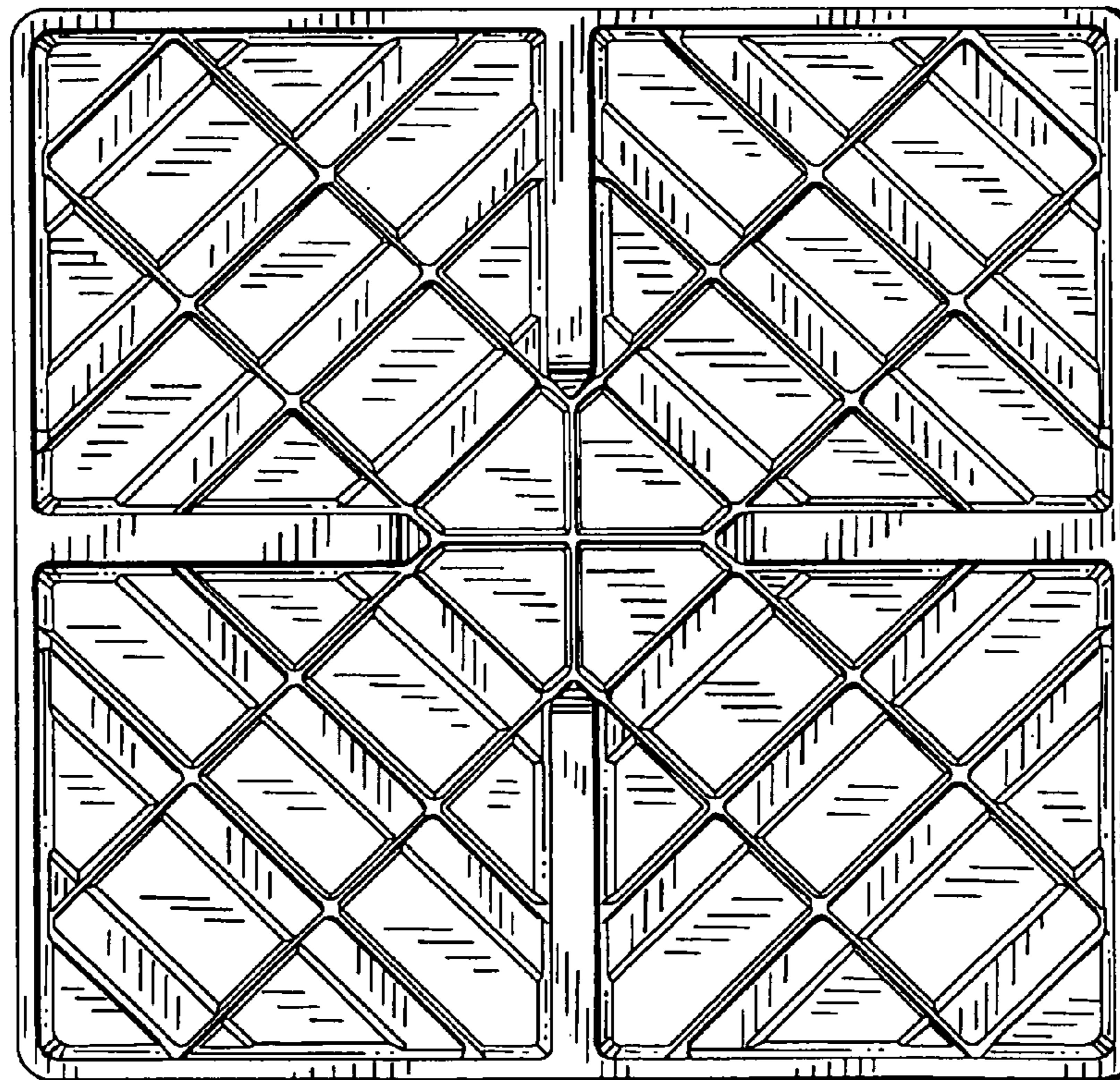


FIG. 5



FIG. 6



FIG. 7



FIG. 8

