



US00D600874S

(12) **United States Design Patent**  
**Hermans**

(10) **Patent No.:** **US D600,874 S**

(45) **Date of Patent:** **\*\* Sep. 22, 2009**

(54) **PLINTH**

(76) **Inventor:** **Ty Gerard Hermans**, 359 MacDonnell Road, Clontarf, Queensland (AU) 4019

(\*\*) **Term:** **14 Years**

(21) **Appl. No.:** **29/305,187**

(22) **Filed:** **Mar. 14, 2008**

(30) **Foreign Application Priority Data**

Feb. 28, 2008 (AU) ..... 10975/2008

(51) **LOC (9) Cl.** ..... **09-08**

(52) **U.S. Cl.** ..... **D34/38**

(58) **Field of Classification Search** ..... D34/38;  
108/51.3, 52.1, 53.1, 53.3, 51.11; 254/88,  
254/94; 248/346.02; 206/386; D25/199;  
D32/55-57; D14/432, 434, 447  
See application file for complete search history.

(56) **References Cited**

**U.S. PATENT DOCUMENTS**

3,699,901	A	*	10/1972	Cook, III	.....	108/57.25
3,707,127	A	*	12/1972	Palfey	.....	108/53.3
D225,841	S	*	1/1973	Skendrovic	.....	D34/38
D228,896	S	*	10/1973	Melnick et al.	.....	D34/38
D229,042	S	*	11/1973	Melnick	.....	D34/38
D231,096	S	*	4/1974	Adam	.....	D34/38
D236,603	S	*	9/1975	Melnick et al.	.....	D34/38
4,562,718	A	*	1/1986	Dunk	.....	72/349
D295,568	S	*	5/1988	Rothwell et al.	.....	D34/38
5,749,555	A	*	5/1998	Albrecht	.....	248/346.01
D404,180	S	*	1/1999	Apps et al.	.....	D34/38

D417,765	S	*	12/1999	Morello	.....	D34/38
D434,509	S	*	11/2000	Oliver et al.	.....	D25/199
6,234,088	B1	*	5/2001	Bredal et al.	.....	108/91
D459,050	S	*	6/2002	Meyer	.....	D34/38
6,584,914	B1	*	7/2003	Koefeldt	.....	108/54.1
6,719,164	B2	*	4/2004	Maschio	.....	220/571
D489,981	S	*	5/2004	Kuipers	.....	D9/456
D499,574	S	*	12/2004	Spicer	.....	D6/406.3
D508,300	S	*	8/2005	O'Dell et al.	.....	D34/38
D531,027	S	*	10/2006	Ramirez et al.	.....	D9/435
D531,378	S	*	10/2006	Angel et al.	.....	D34/31
D554,825	S	*	11/2007	Lux, Jr.	.....	D34/38
D571,486	S	*	6/2008	Miller et al.	.....	D25/133

\* cited by examiner

*Primary Examiner*—Cynthia E Ramirez

(74) *Attorney, Agent, or Firm*—Abelman, Frayne & Schwab

(57) **CLAIM**

The ornamental design for a plinth, as shown and described.

**DESCRIPTION**

FIG. 1 is a top, front, right side perspective view of a plinth showing my new design;

FIG. 2 is a bottom front left side perspective view thereof;

FIG. 3 is a top plan view thereof;

FIG. 4 is a bottom plan view thereof;

FIG. 5 is a right side elevational view thereof;

FIG. 6 is a left side elevational view thereof;

FIG. 7 is a front elevational view thereof; and,

FIG. 8 is a rear elevational view thereof.

**1 Claim, 5 Drawing Sheets**

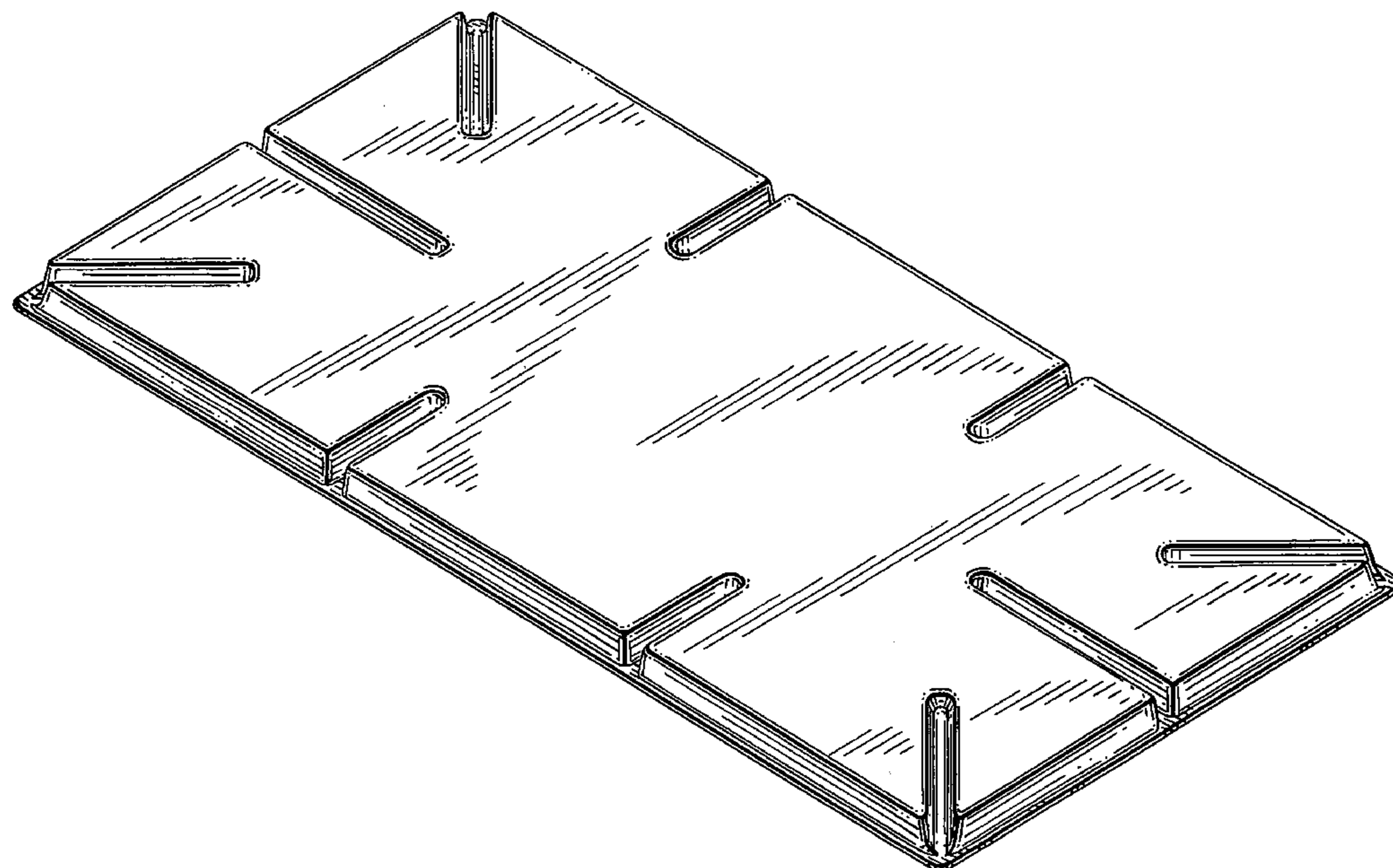


FIG. 1

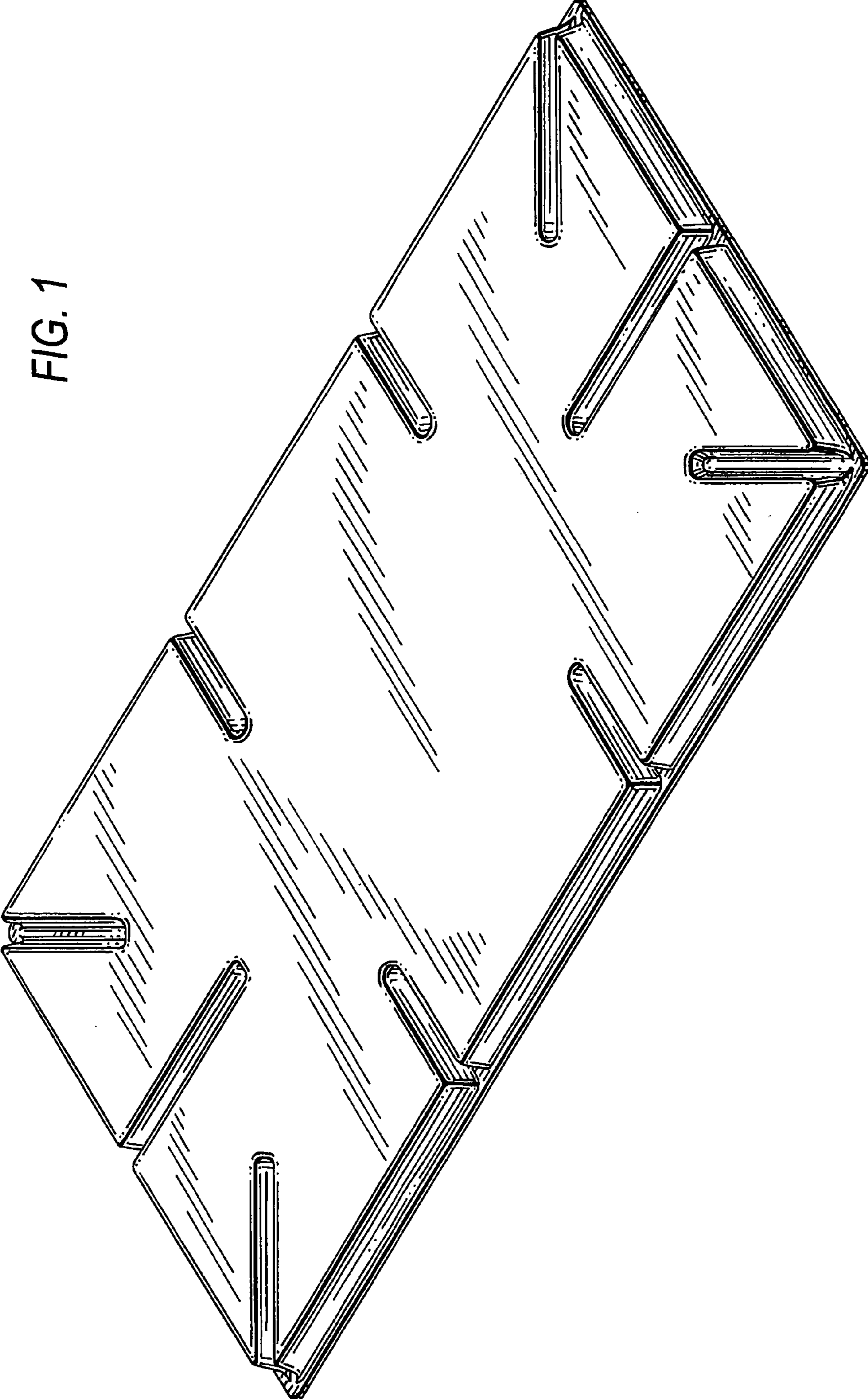
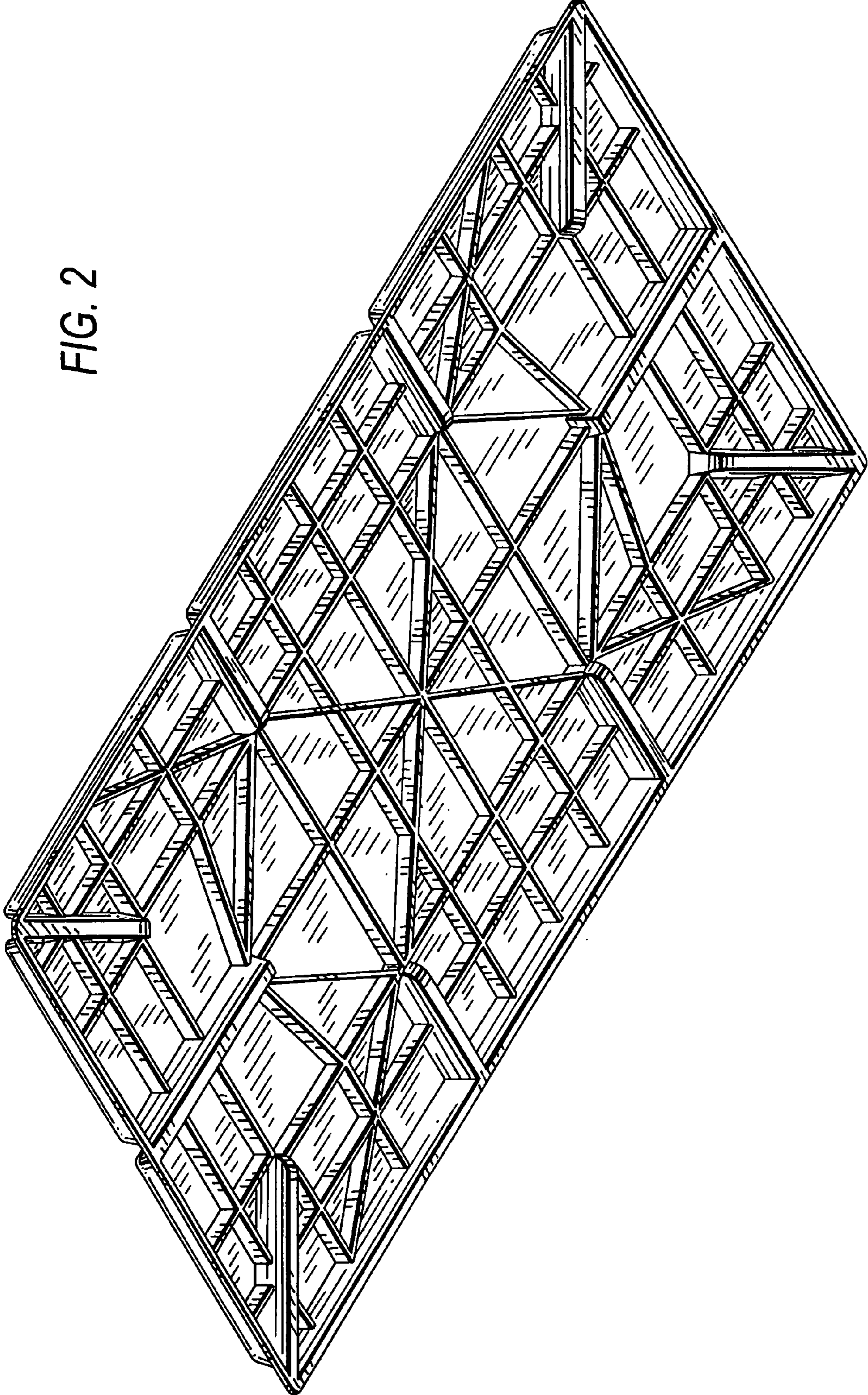


FIG. 2



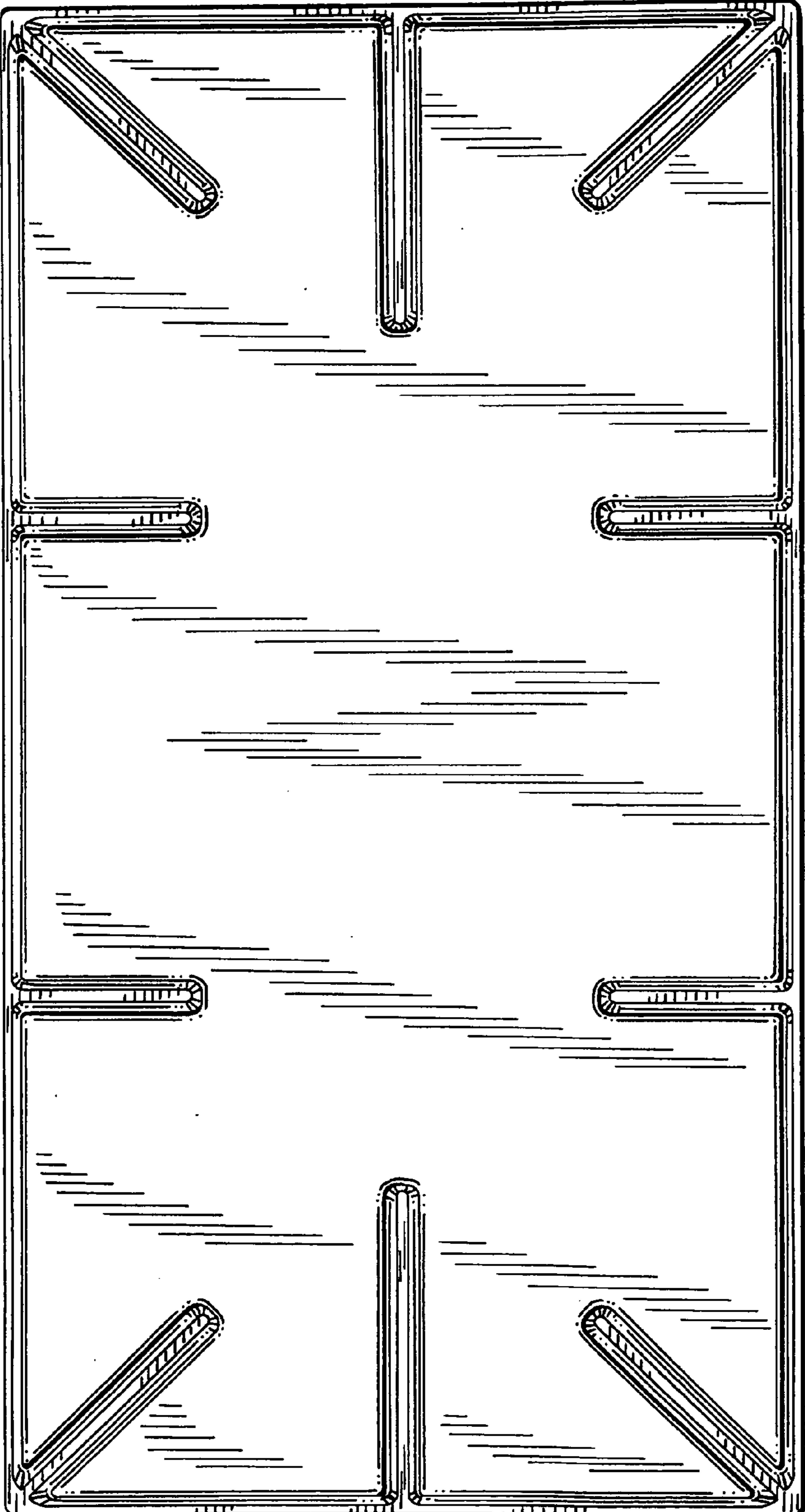


FIG. 3

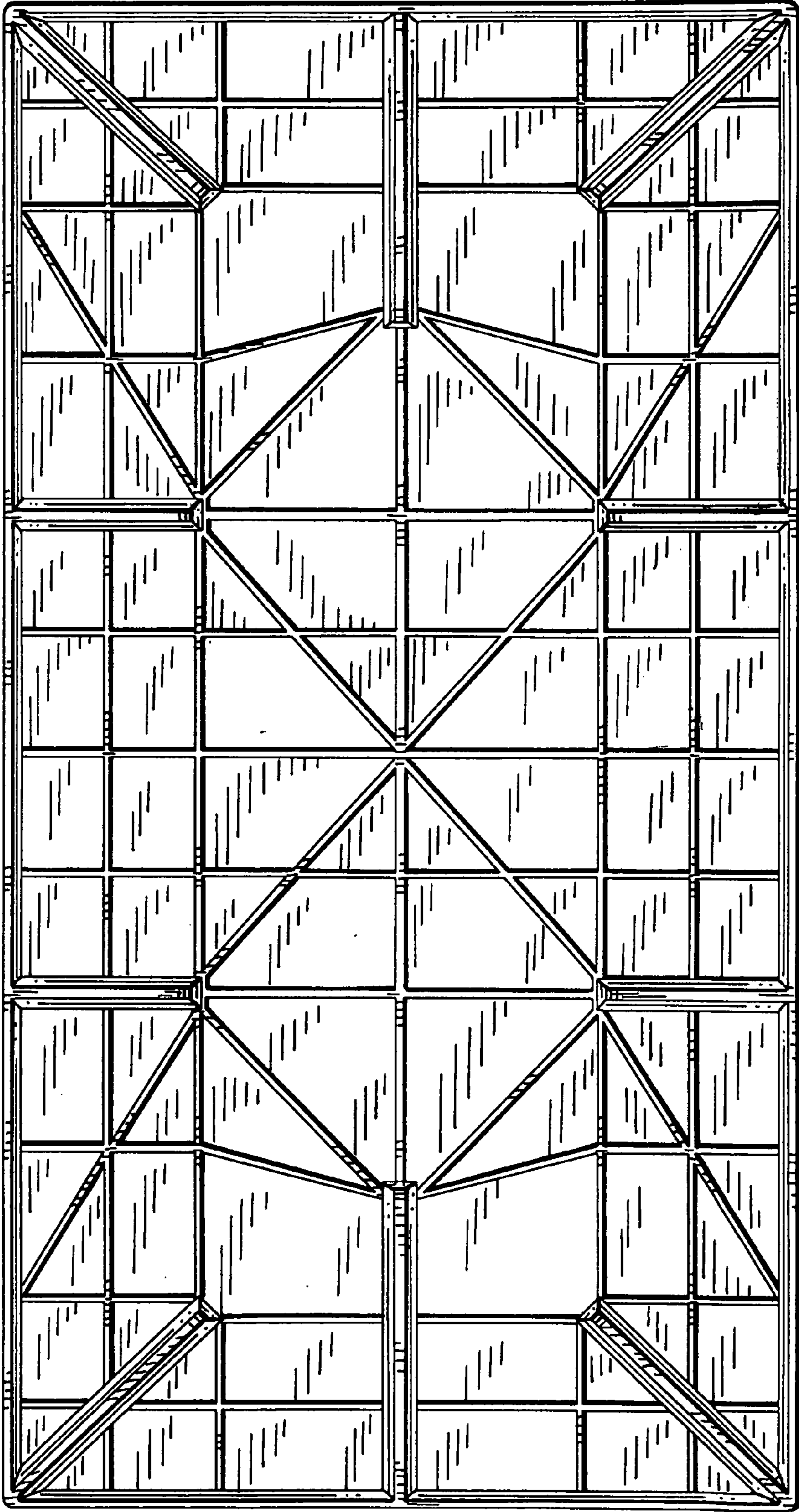


FIG. 4

FIG. 5

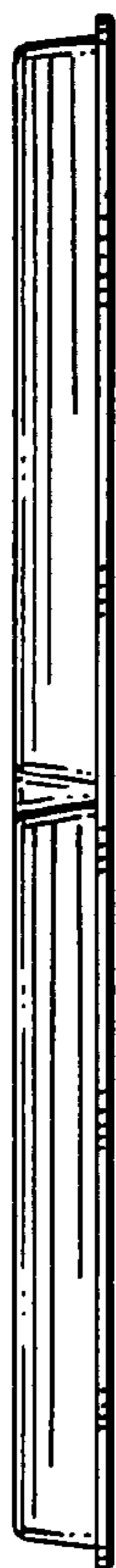


FIG. 6



FIG. 7



FIG. 8

