



(12) **United States Design Patent**
Baek

(10) **Patent No.:** **US D600,870 S**
(45) **Date of Patent:** **** Sep. 22, 2009**

(54) **HANDLE FOR CLEANER**

(75) Inventor: **Byung Kook Baek**, Kyungki-do (KR)

(73) Assignee: **Samsung Electronics Co., Ltd.**, Suwon (KR)

(**) Term: **14 Years**

(21) Appl. No.: **29/294,813**

(22) Filed: **Jan. 29, 2008**

(51) **LOC (9) Cl.** **15-05**

(52) **U.S. Cl.** **D32/34**

(58) **Field of Classification Search** D32/21–22,
D32/31, 34, 25; 15/347, 350–353, 361, 410–411,
15/335, 366, 143.1, 229.2, 246.2, 327.1–327.7,
15/344, 329; 55/366, 429, 315, 356, 372,
55/471, 482, DIG. 3, 341.1, 378
See application file for complete search history.

(56) **References Cited**

U.S. PATENT DOCUMENTS

- 5,715,566 A * 2/1998 Weaver et al. 15/320
- D431,332 S * 9/2000 Hamm et al. D32/22
- D439,385 S * 3/2001 Salo et al. D32/34
- D462,815 S * 9/2002 Roberts et al. D32/31
- D477,698 S * 7/2003 Roberts et al. D32/31
- D489,850 S * 5/2004 Elrod et al. D32/31
- D490,951 S * 6/2004 Leyden D32/34
- D493,926 S * 8/2004 Downey et al. D32/31

- D499,220 S * 11/2004 Kim D32/22
- D533,696 S * 12/2006 Ikeno et al. D32/22
- D558,944 S * 1/2008 Medema et al. D32/34
- 7,406,743 B2 * 8/2008 Kim et al. 15/410

* cited by examiner

Primary Examiner—Ruth McInroy

(74) *Attorney, Agent, or Firm*—Ladas and Parry LLP

(57) **CLAIM**

I claim the ornamental design for a handle for cleaner, as shown and described.

DESCRIPTION

FIG. 1 is a top, front and right-side perspective view of a handle for cleaner showing my new design;

FIG. 2 is a front elevational view thereof;

FIG. 3 is a rear elevational view thereof;

FIG. 4 is a left-side elevational view thereof;

FIG. 5 is a right-side elevational view thereof;

FIG. 6 is a top plan view thereof;

FIG. 7 is a bottom plan view thereof; and,

FIG. 8 is a top, front and right-side perspective view thereof, showing the handle connected to the main body of the cleaner.

The broken lines showing main body of cleaner in FIG. 8 are for illustrative purpose only and form no part of the claimed design.

1 Claim, 8 Drawing Sheets

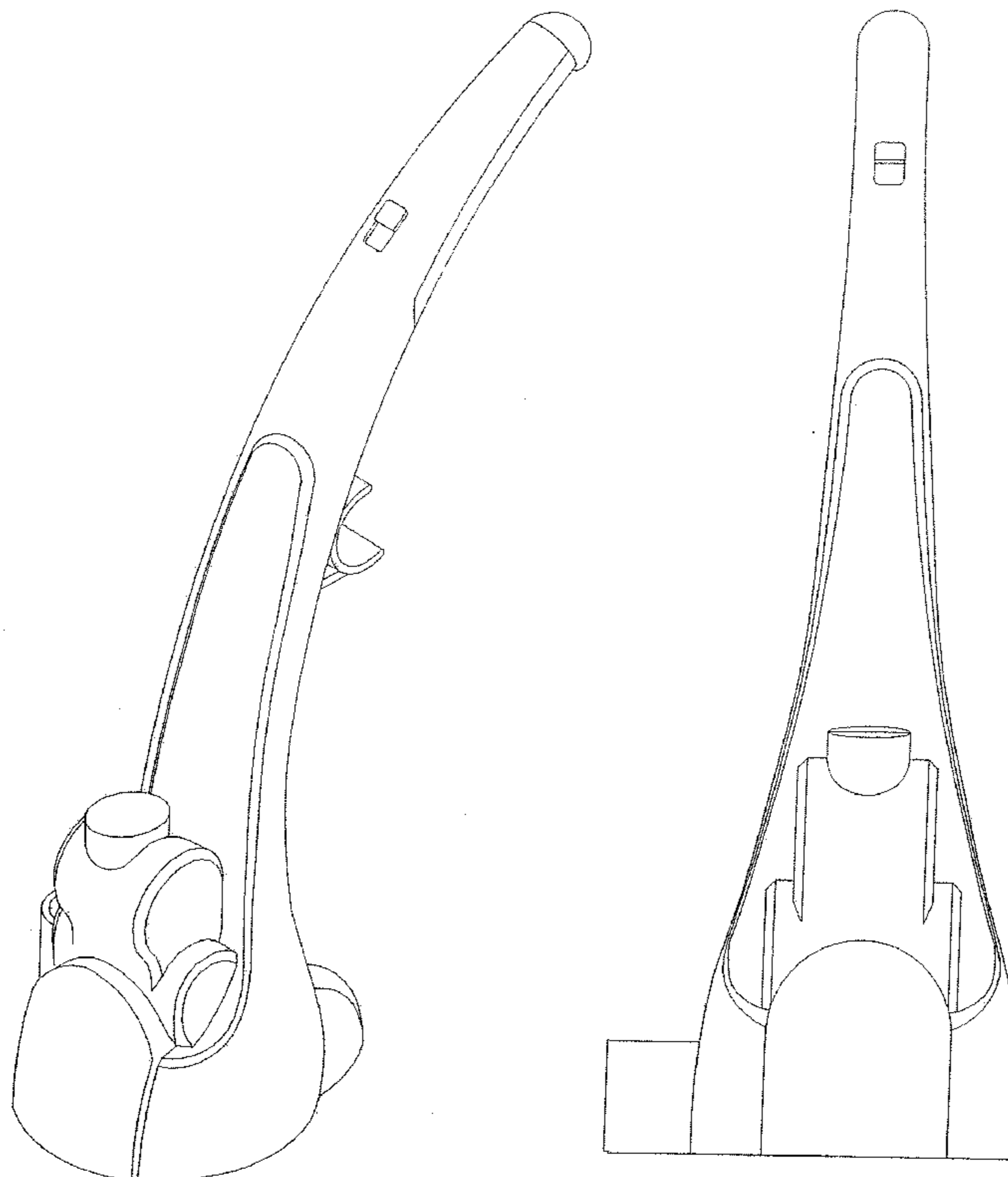


FIG. 1

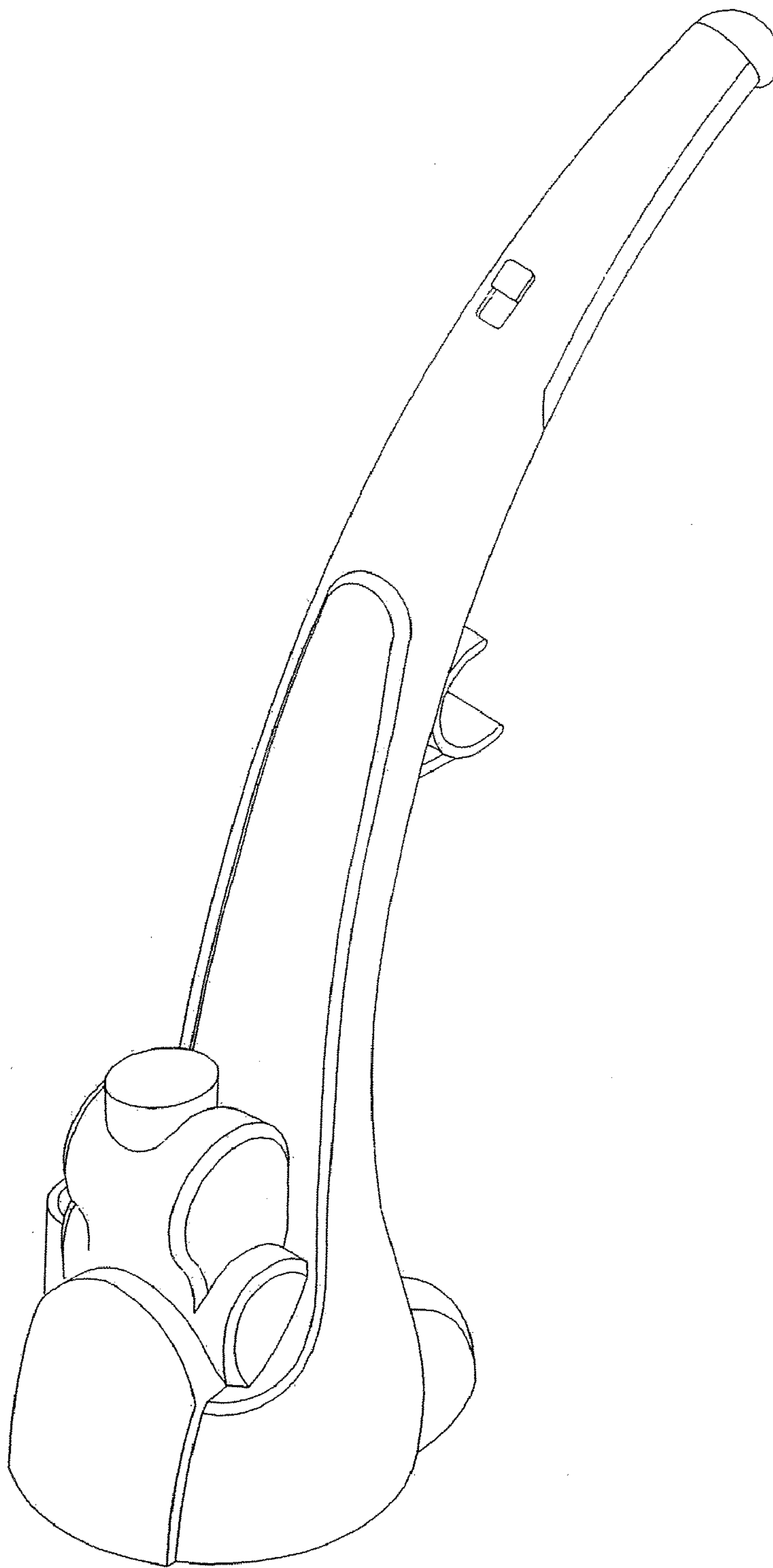


FIG. 2

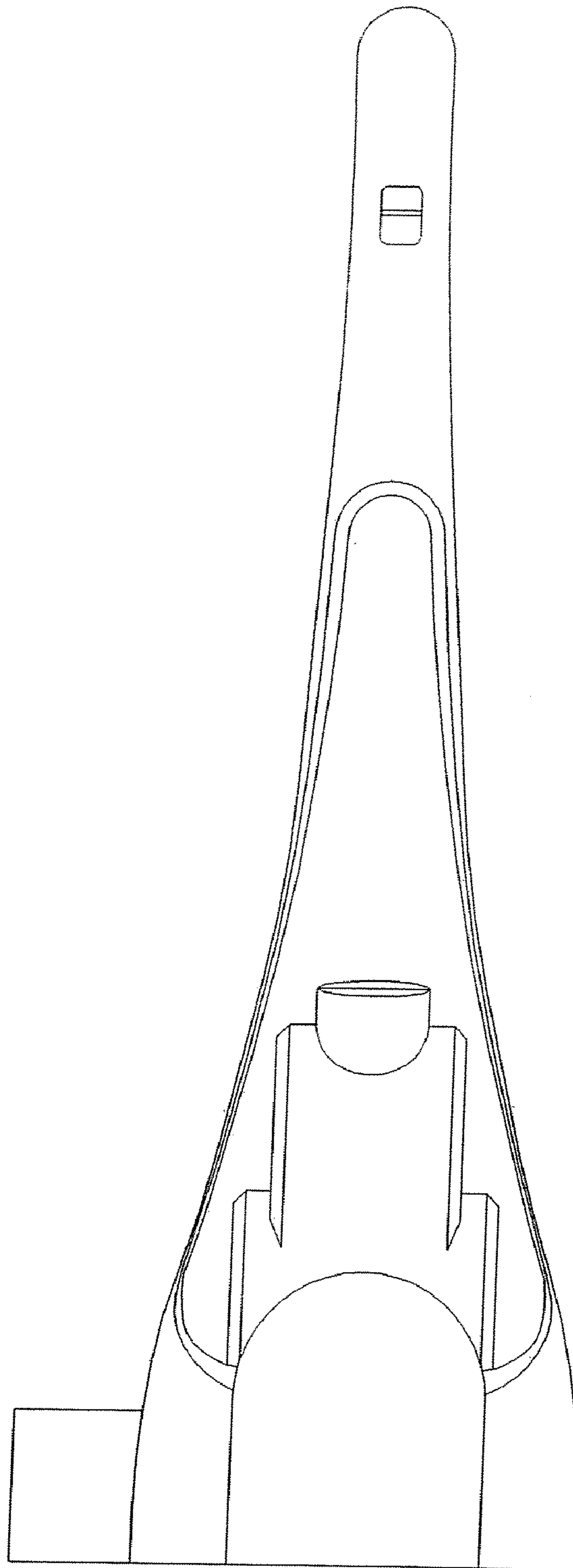


FIG. 3

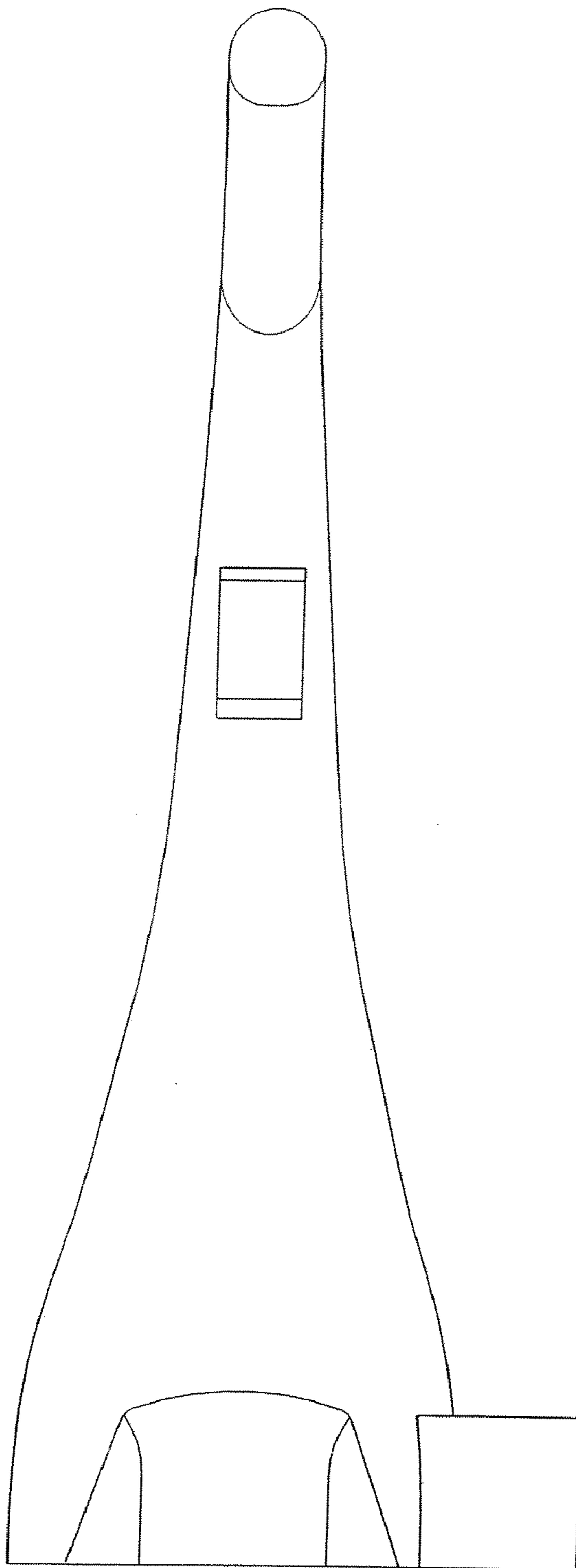


FIG. 4

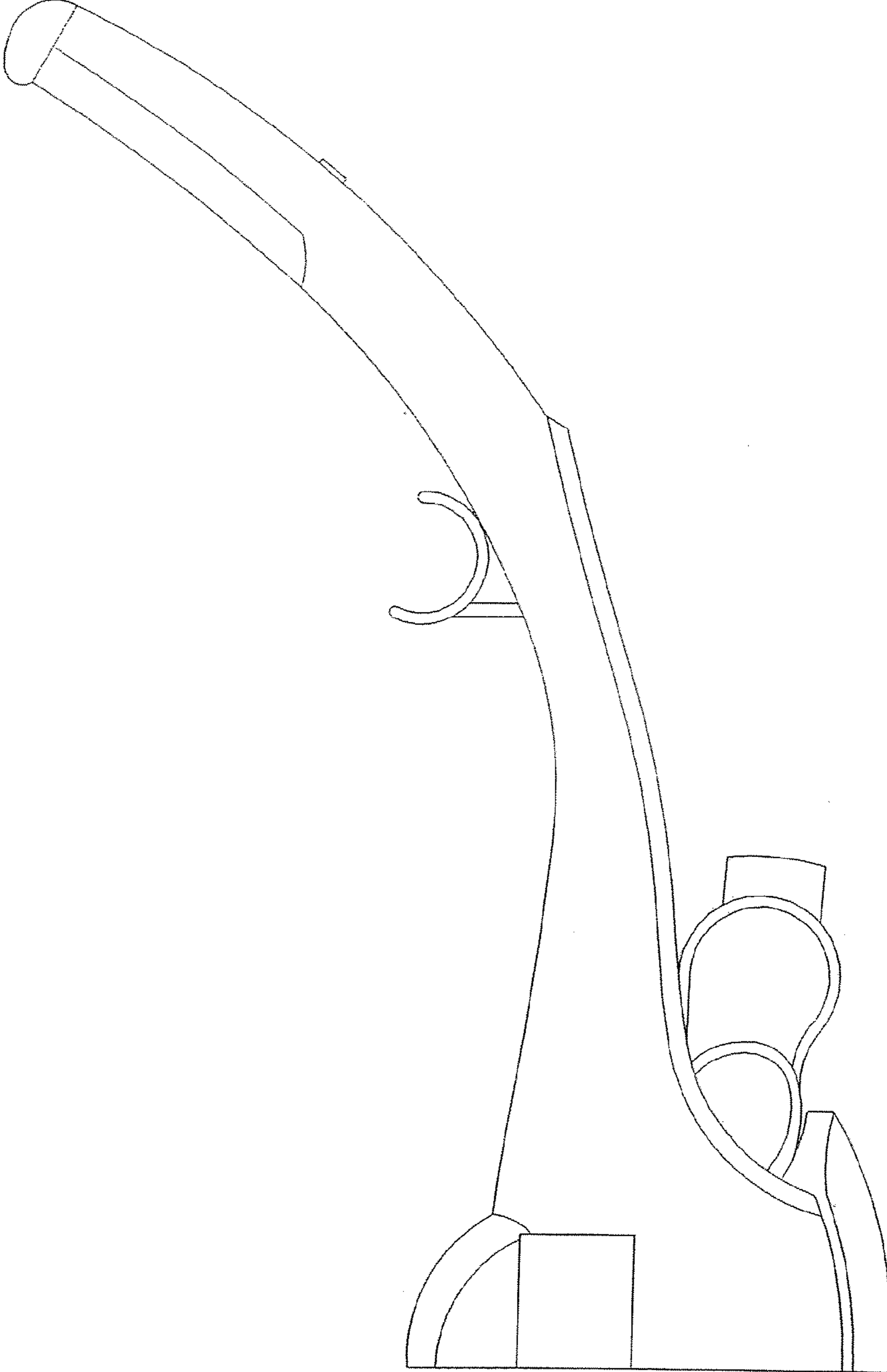


FIG. 5

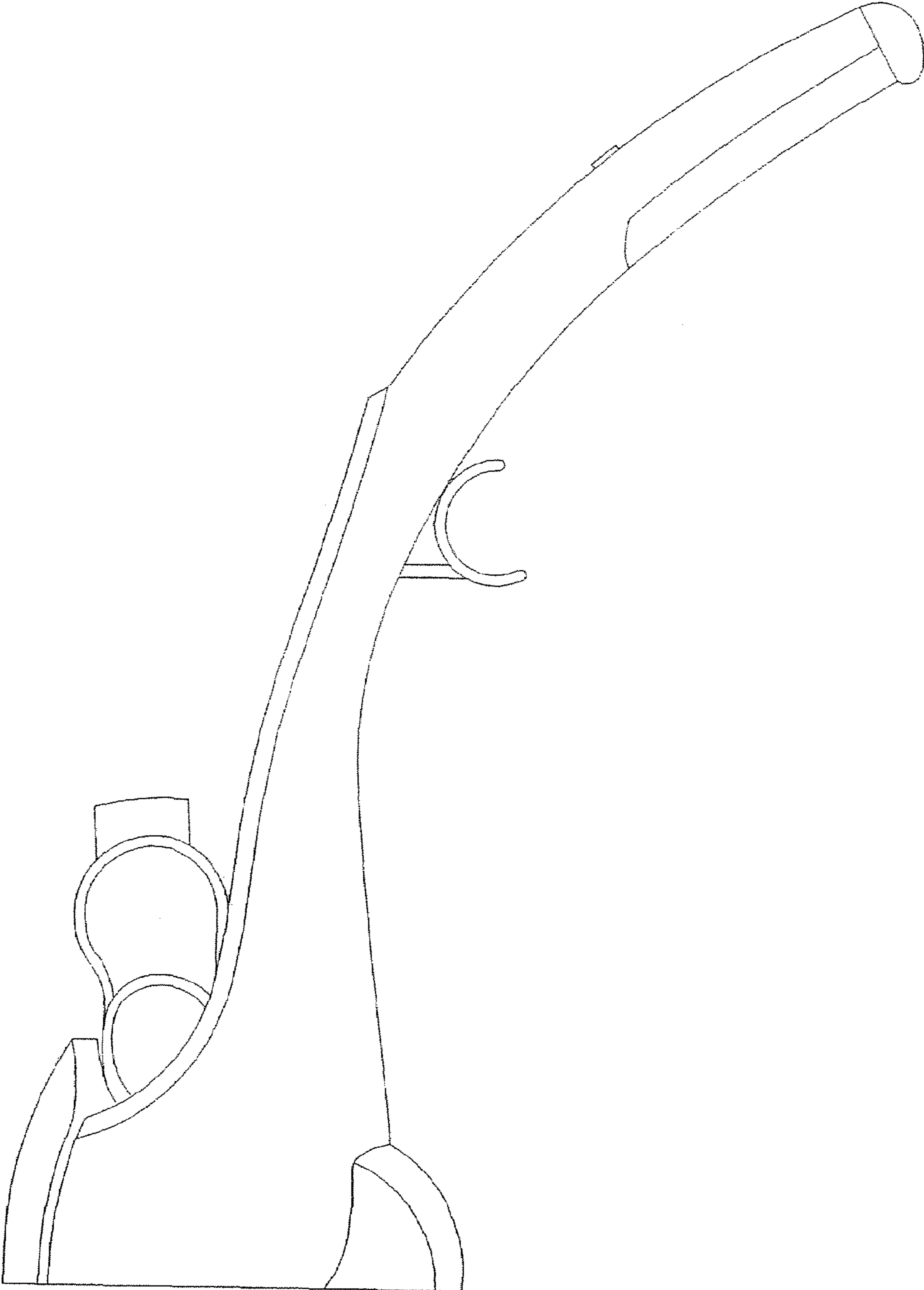


FIG. 6

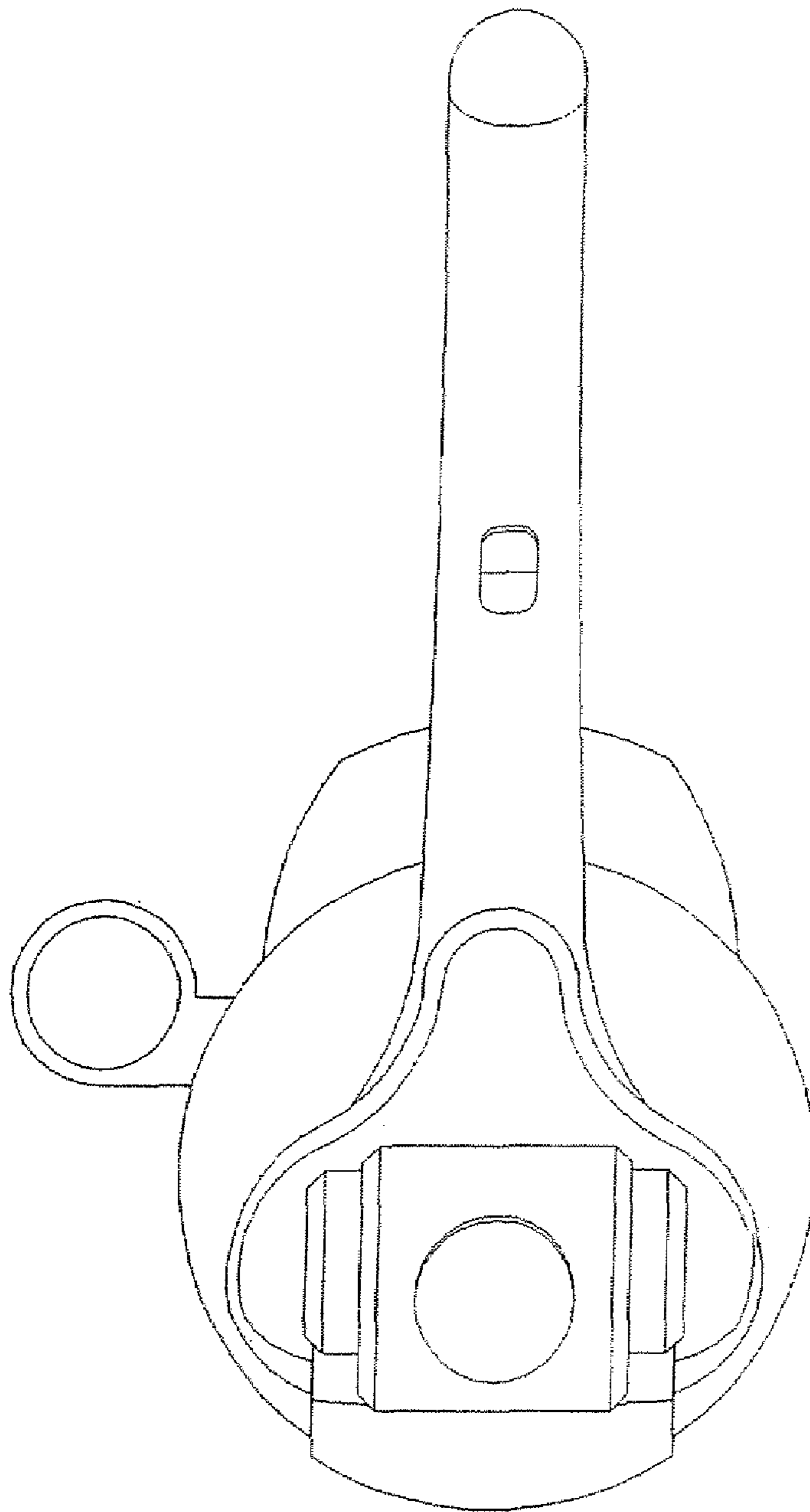


FIG. 7

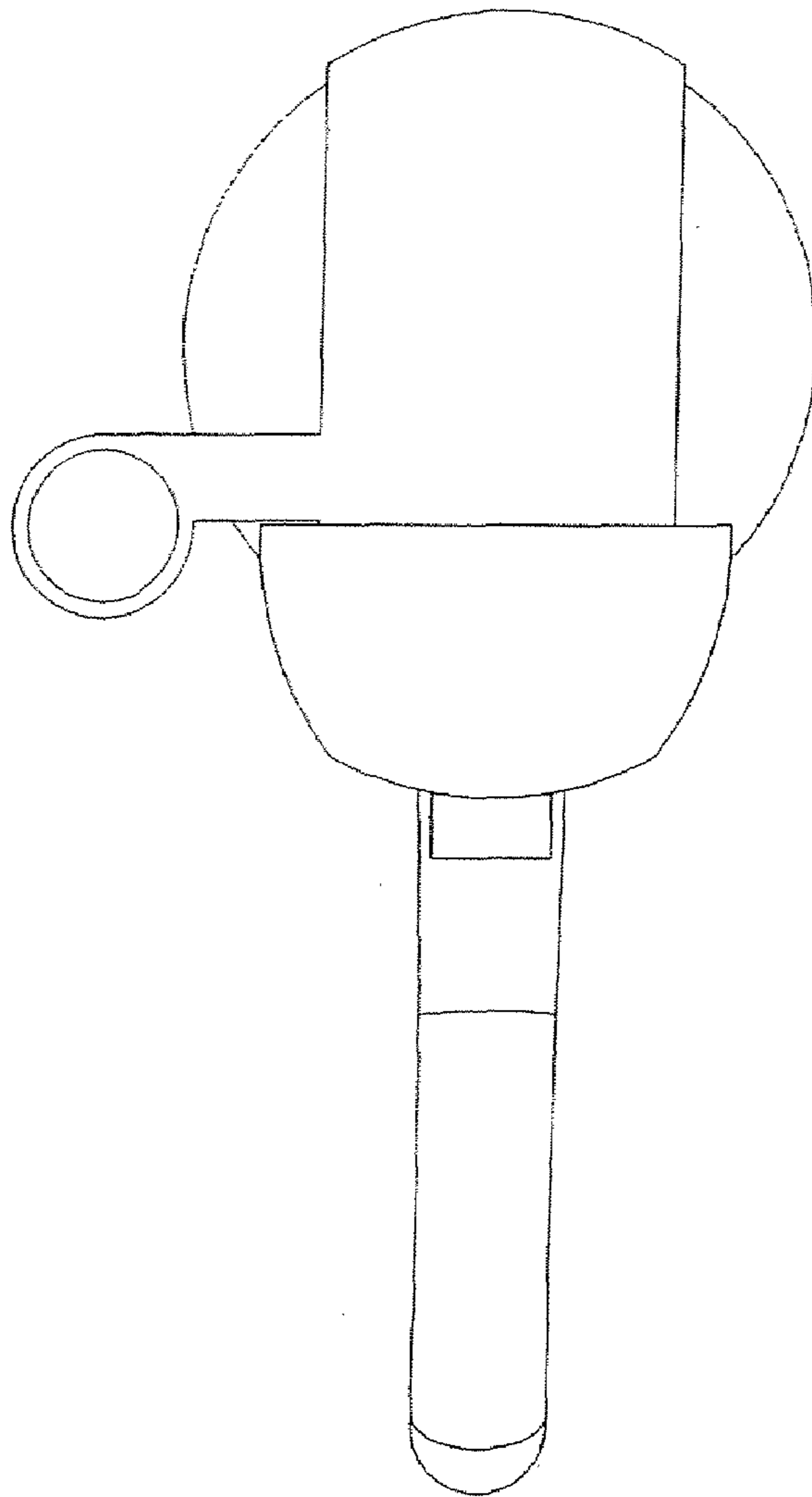


FIG. 8

