



US00D600868S

(12) **United States Design Patent**  
**Rennecker et al.**

(10) **Patent No.:** **US D600,868 S**

(45) **Date of Patent:** **\*\* Sep. 22, 2009**

(54) **MOUNTING COLLAR FOR A FILTER BAG**

(75) Inventors: **David B. Rennecker**, Canton, OH (US);  
**Gregg A. McAllise**, Avon Lake, OH  
(US); **Laura L. Winkelmann**, Fairview  
Park, OH (US)

(73) Assignee: **The Scott Fetzer Company**, Westlake,  
OH (US)

(\*\*) Term: **14 Years**

(21) Appl. No.: **29/317,586**

(22) Filed: **May 2, 2008**

(51) **LOC (9) Cl.** ..... **15-05**

(52) **U.S. Cl.** ..... **D32/30**

(58) **Field of Classification Search** ..... D32/25,  
D32/30-31; 55/374, 482, 498, 502, 490,  
55/492, 493, 507, DIG. 3, 385.1, 476, 459.1,  
55/376-378, DIG. 2; 285/119; 15/352, 347,  
15/DIG. 8, 321, 312.1; 95/273; 96/321,  
96/226

See application file for complete search history.

(56) **References Cited**

**U.S. PATENT DOCUMENTS**

D251,668 S \* 4/1979 Asberg ..... D32/30  
5,064,455 A \* 11/1991 Lackner ..... 55/375

5,092,915 A \* 3/1992 Lackner ..... 55/375  
5,464,460 A \* 11/1995 Bosses ..... 55/374  
5,792,224 A \* 8/1998 Fu et al. .... 55/375  
6,716,262 B2 \* 4/2004 Zimet et al. .... 55/369  
7,024,724 B2 \* 4/2006 Ponjican et al. .... 15/347  
D523,196 S \* 6/2006 Bruneau ..... D32/30  
D559,483 S \* 1/2008 Matter et al. .... D32/31  
2005/0098039 A1 \* 5/2005 Davis et al. .... 95/273  
2005/0279060 A1 \* 12/2005 Schmierer et al. .... 55/374  
2007/0095031 A1 \* 5/2007 Zahuranec ..... 55/374

**FOREIGN PATENT DOCUMENTS**

AU 131186 S 9/1997

\* cited by examiner

*Primary Examiner*—Ruth McInroy

(74) *Attorney, Agent, or Firm*—Jones Day

(57) **CLAIM**

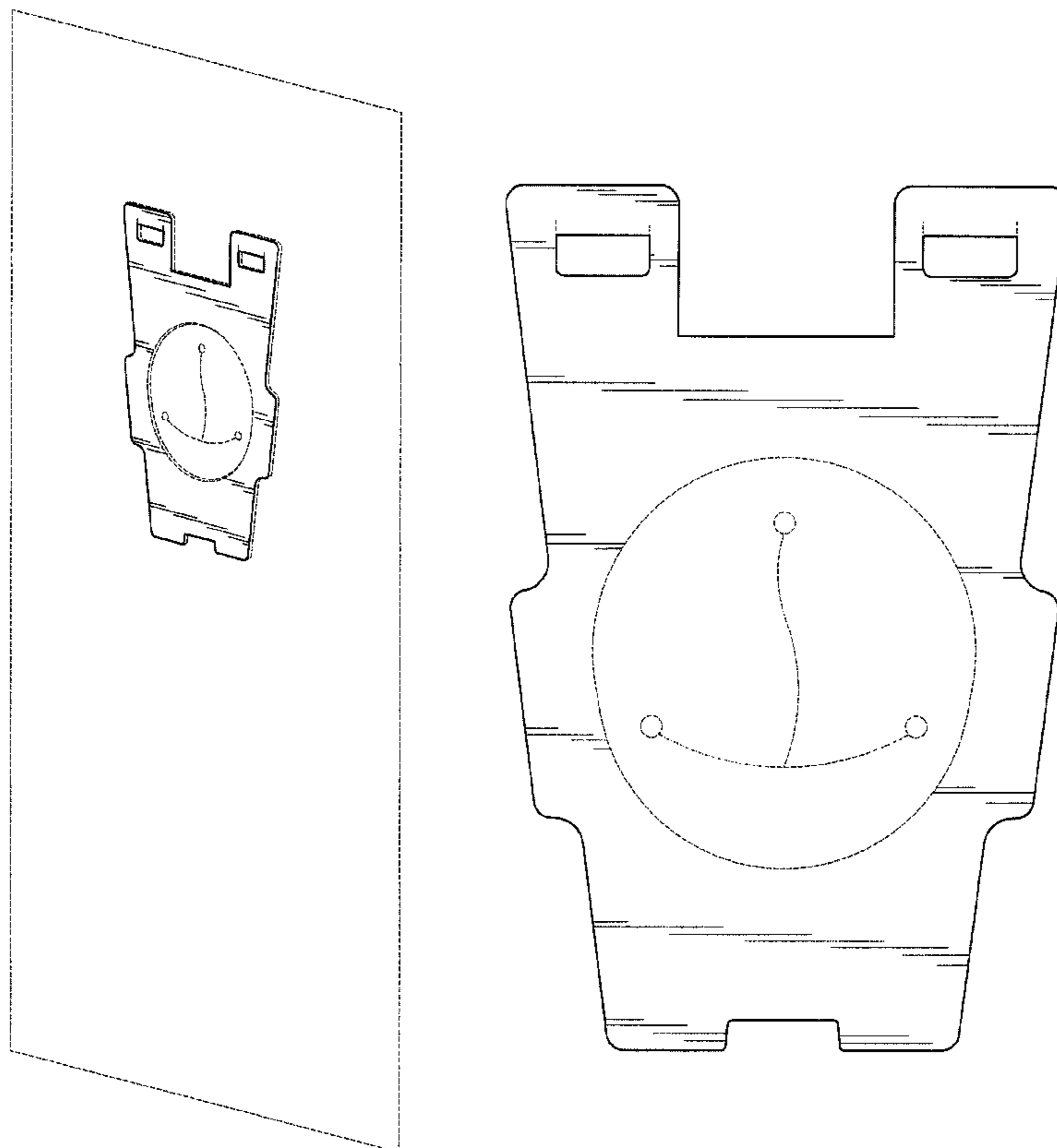
The ornamental design for a mounting collar for a filter bag,  
as shown and described.

**DESCRIPTION**

FIG. 1 is a perspective view of a mounting collar for a filter bag  
showing our new design; and,  
FIG. 2 is a front view of thereof.

The bag structure and details shown in broken lines form no  
part of the claimed design.

**1 Claim, 2 Drawing Sheets**



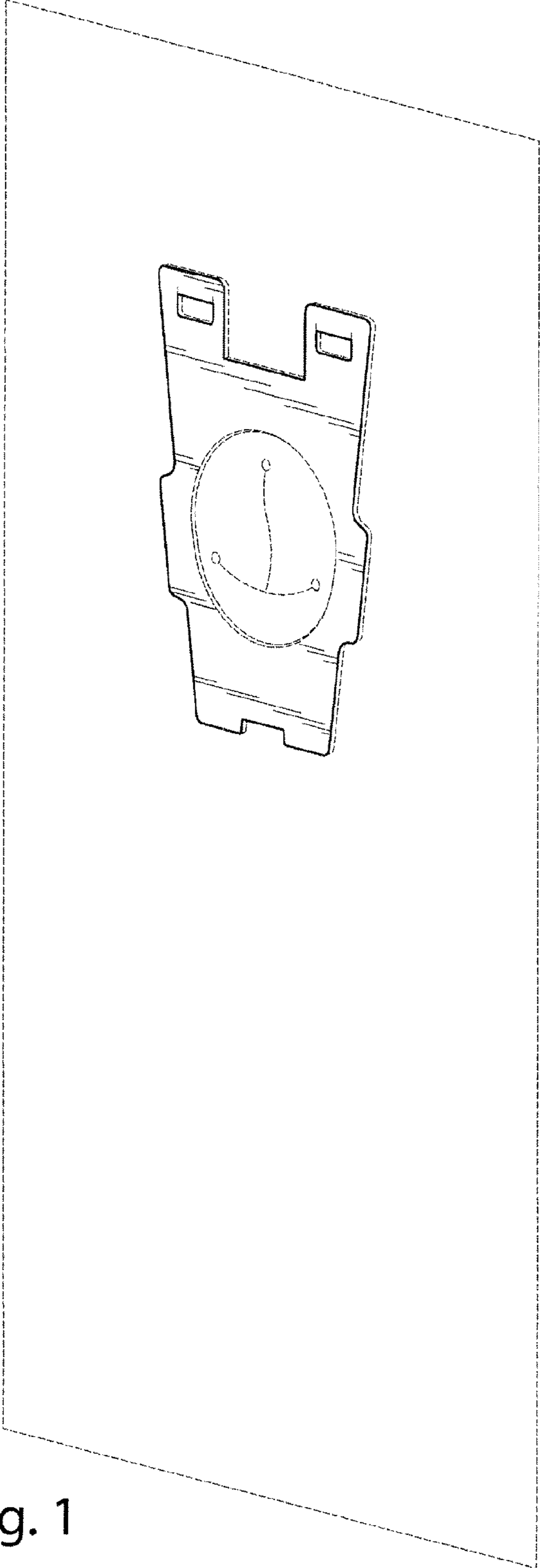


Fig. 1

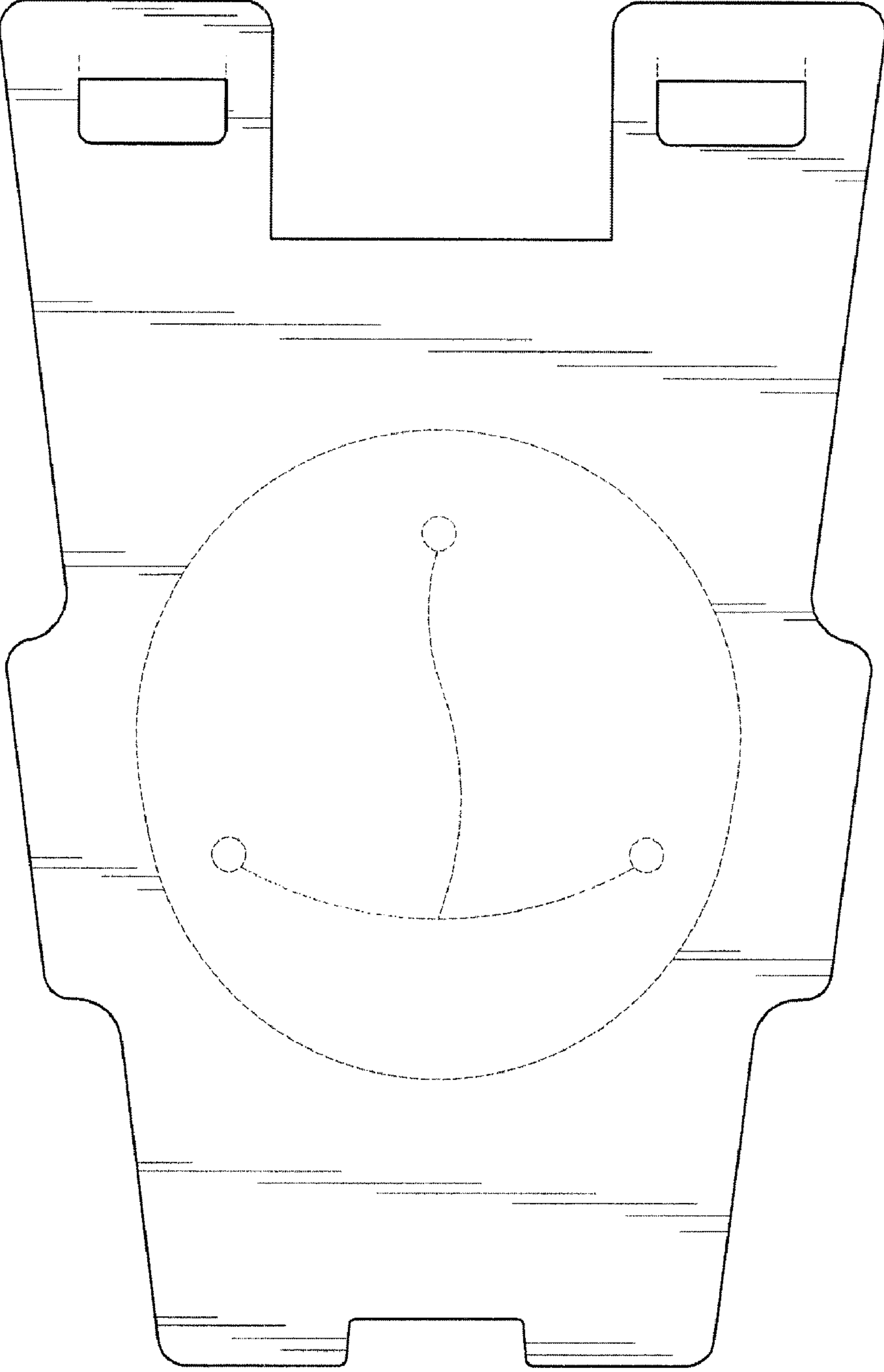


Fig. 2