



(12) **United States Design Patent**  
**Shin et al.**

(10) **Patent No.:** **US D600,866 S**  
(45) **Date of Patent:** **\*\* Sep. 22, 2009**

(54) **VACUUM CLEANER**

(75) Inventors: **Hyun Seon Shin**, Gyeonggi-do (KR);  
**Sang Min Yu**, Seoul (KR)

(73) Assignee: **LG Electronics Inc.**, Seoul (KR)

(\*\*) Term: **14 Years**

(21) Appl. No.: **29/290,672**

(22) Filed: **Jan. 2, 2008**

(30) **Foreign Application Priority Data**

Jul. 3, 2007 (KR) ..... 30-2007-0028719

(51) **LOC (9) Cl.** ..... **15-05**

(52) **U.S. Cl.** ..... **D32/24**

(58) **Field of Classification Search** ..... D32/21-22,  
D32/31, 34, 25, 23-24; 15/347, 350-353,  
15/361, 410-411, 335, 366, 229.2, 246.2,  
15/327.1-327.7, 344, 329; 55/366, 429,  
55/315, 356, 372, 471, 482, DIG. 3, 341.1,  
55/378

See application file for complete search history.

(56) **References Cited**

**U.S. PATENT DOCUMENTS**

D451,252 S \* 11/2001 Ikeno et al. .... D32/24

D454,994 S \* 3/2002 Harada et al. .... D32/21  
D477,443 S \* 7/2003 Kondo et al. .... D32/21  
D513,099 S \* 12/2005 Schroter ..... D32/21  
D518,255 S \* 3/2006 Stratford et al. .... D32/21  
D550,910 S \* 9/2007 Shin ..... D32/21  
D581,110 S \* 11/2008 Konno et al. .... D32/21  
D582,109 S \* 12/2008 Kim et al. .... D32/21

\* cited by examiner

*Primary Examiner*—Ruth McInroy

(74) *Attorney, Agent, or Firm*—Morgan Lewis & Bockius  
LLP

(57) **CLAIM**

The ornamental design for a vacuum cleaner, as shown and described.

**DESCRIPTION**

FIG. 1 is a front, right perspective of the vacuum cleaner showing my new design;

FIG. 2 is a front view thereof;

FIG. 3 is a rear view thereof;

FIG. 4 is a left side view thereof;

FIG. 5 is a right side view thereof;

FIG. 6 is a top plan view thereof; and,

FIG. 7 is a bottom plan view thereof.

**1 Claim, 6 Drawing Sheets**

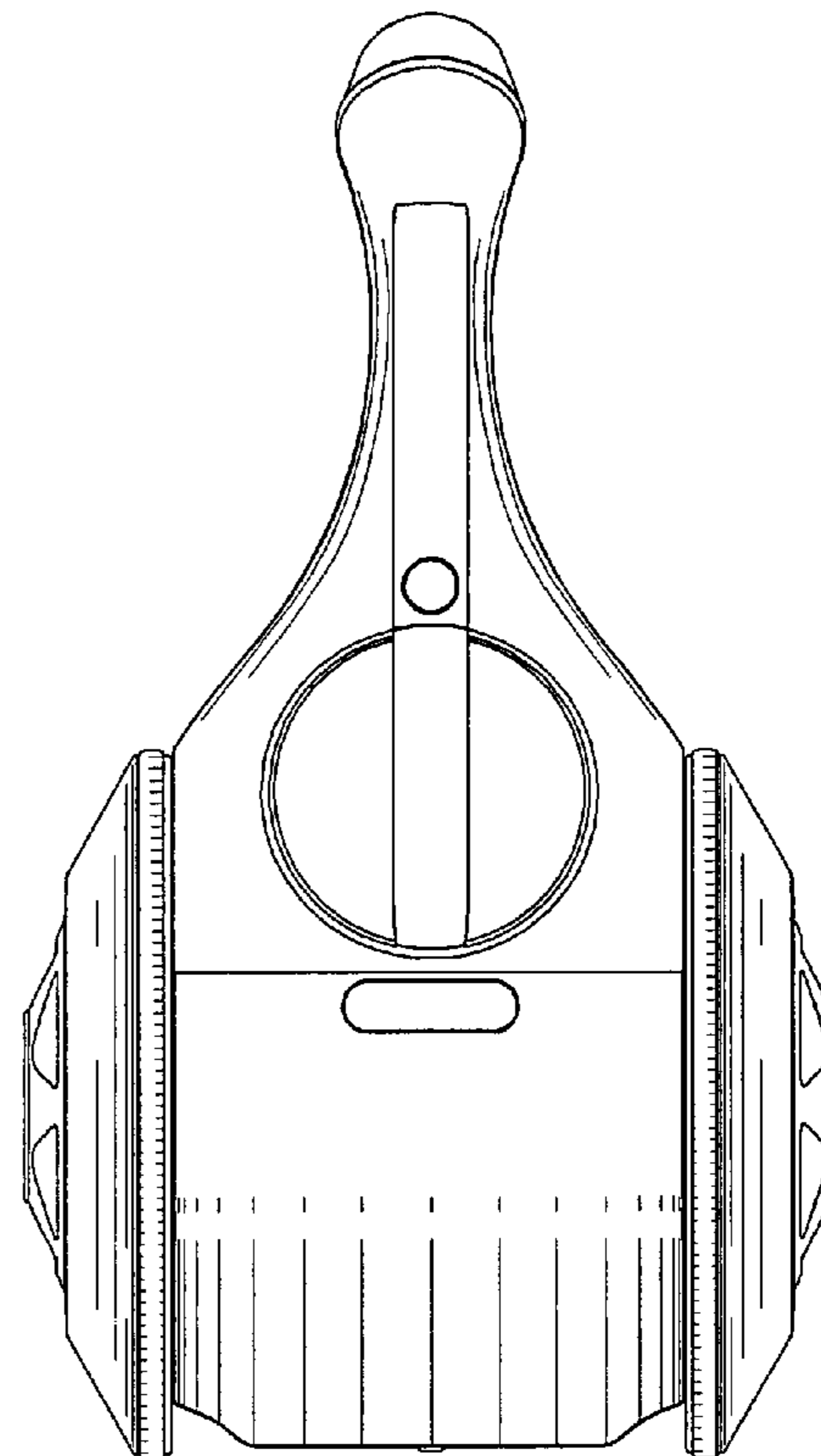
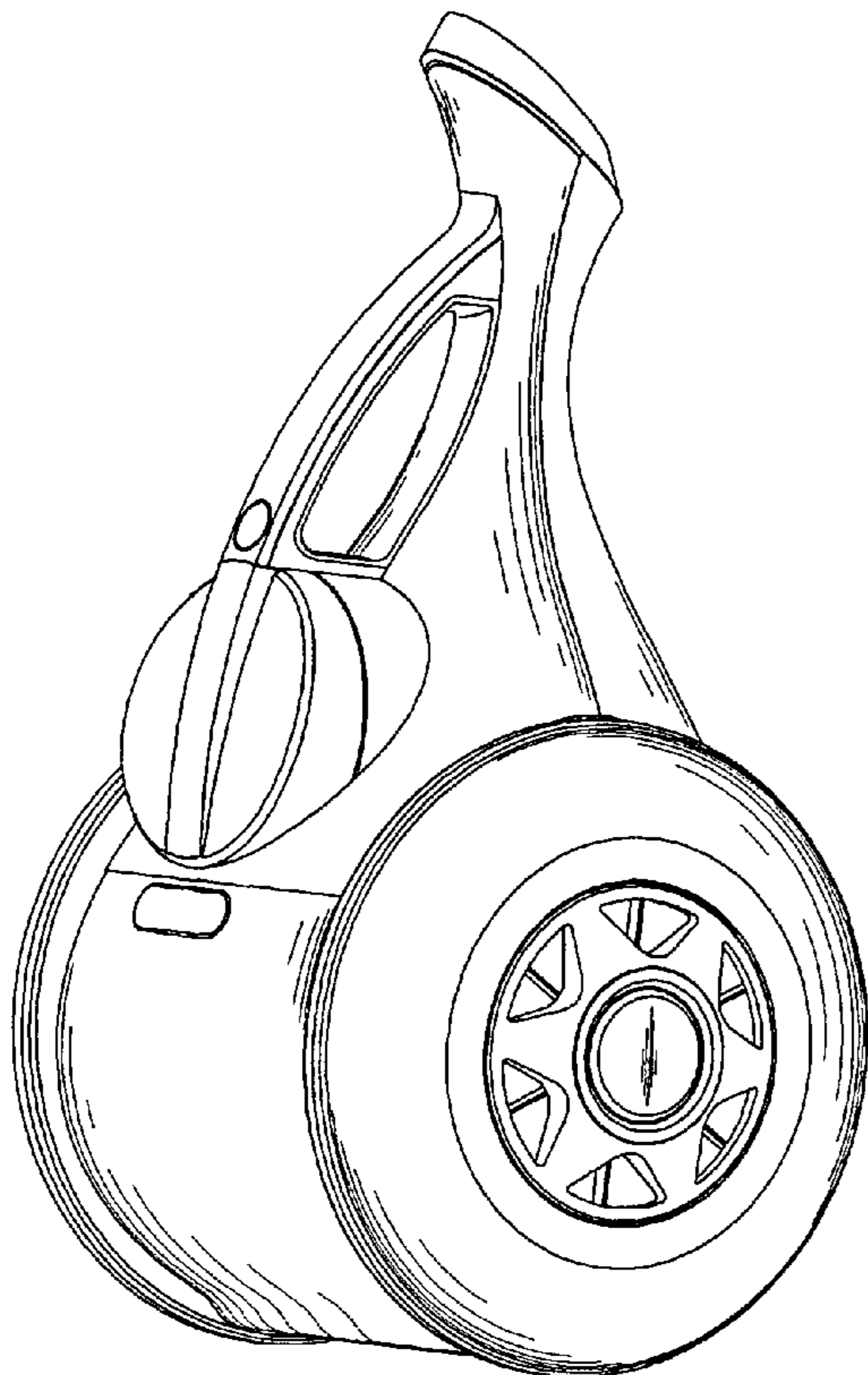


FIG.1

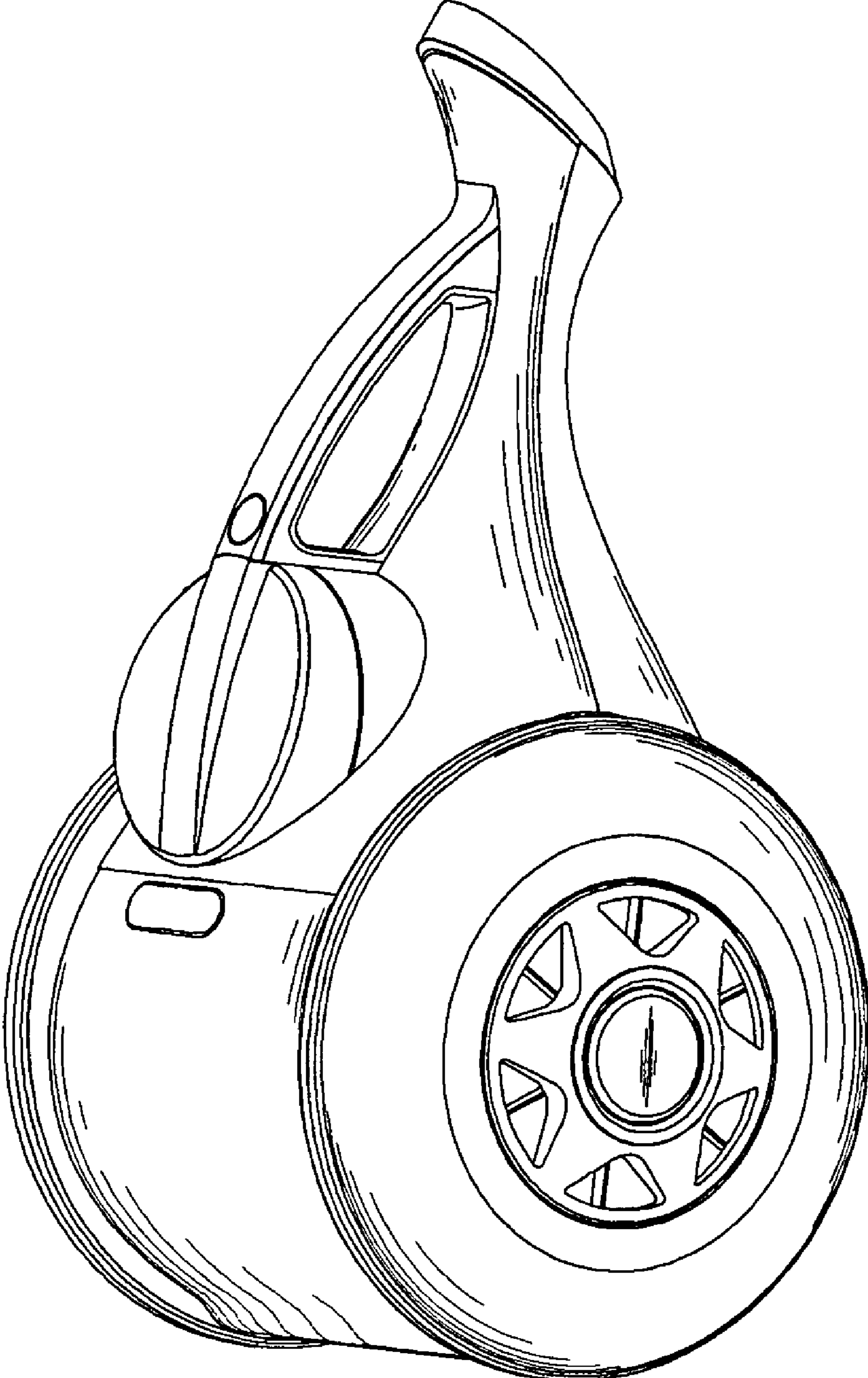


FIG.2

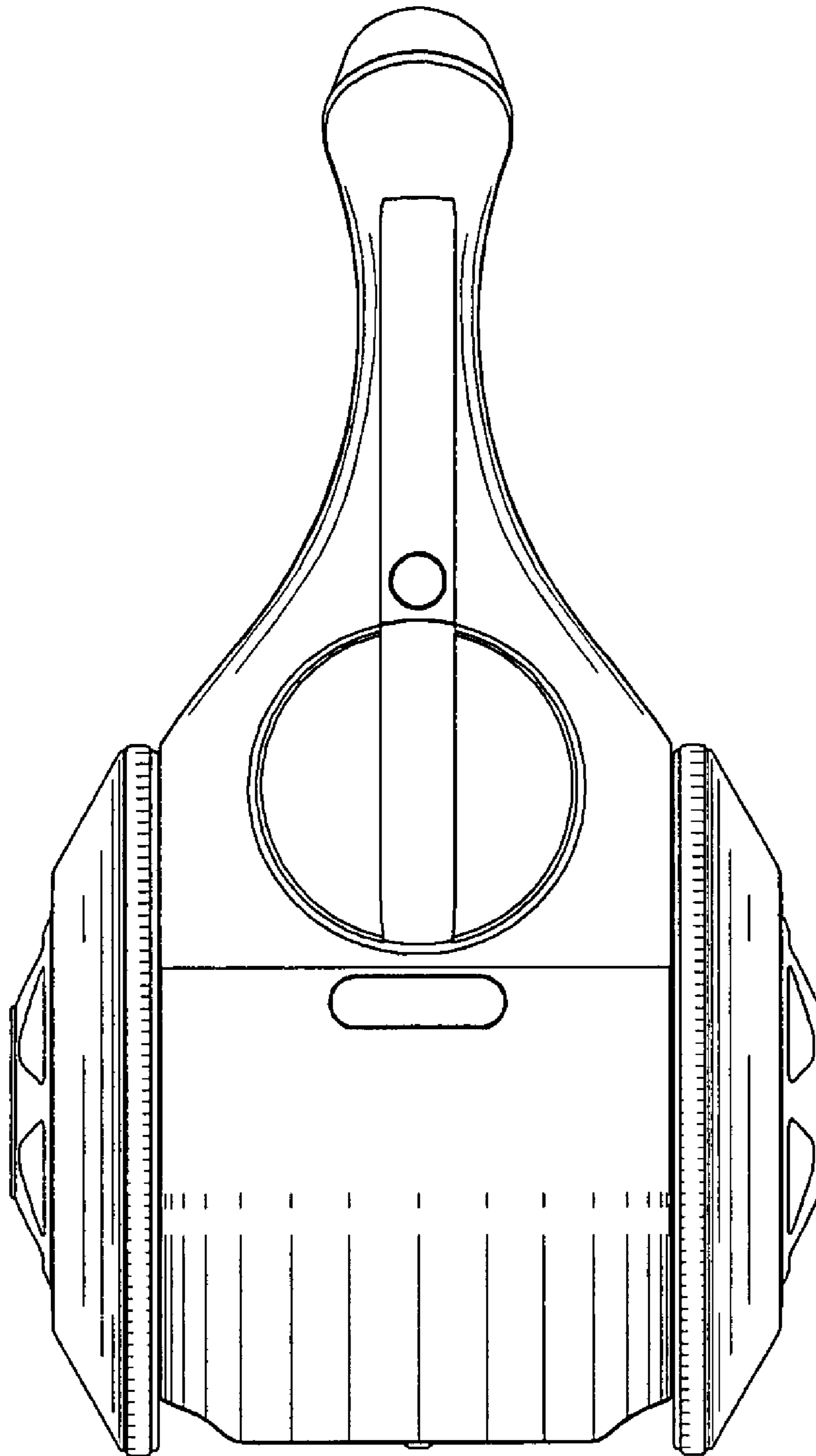


FIG.3

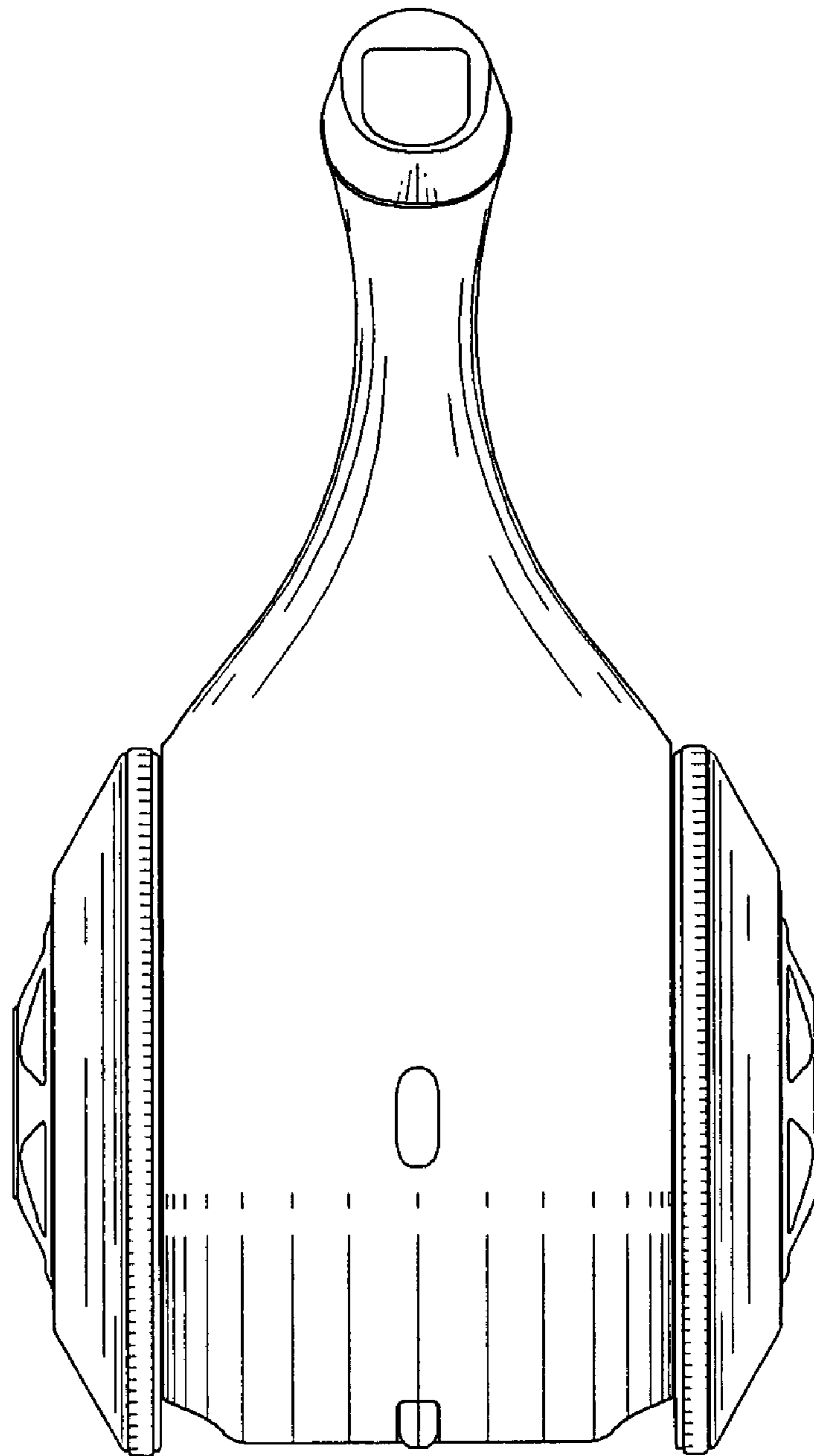


FIG.4

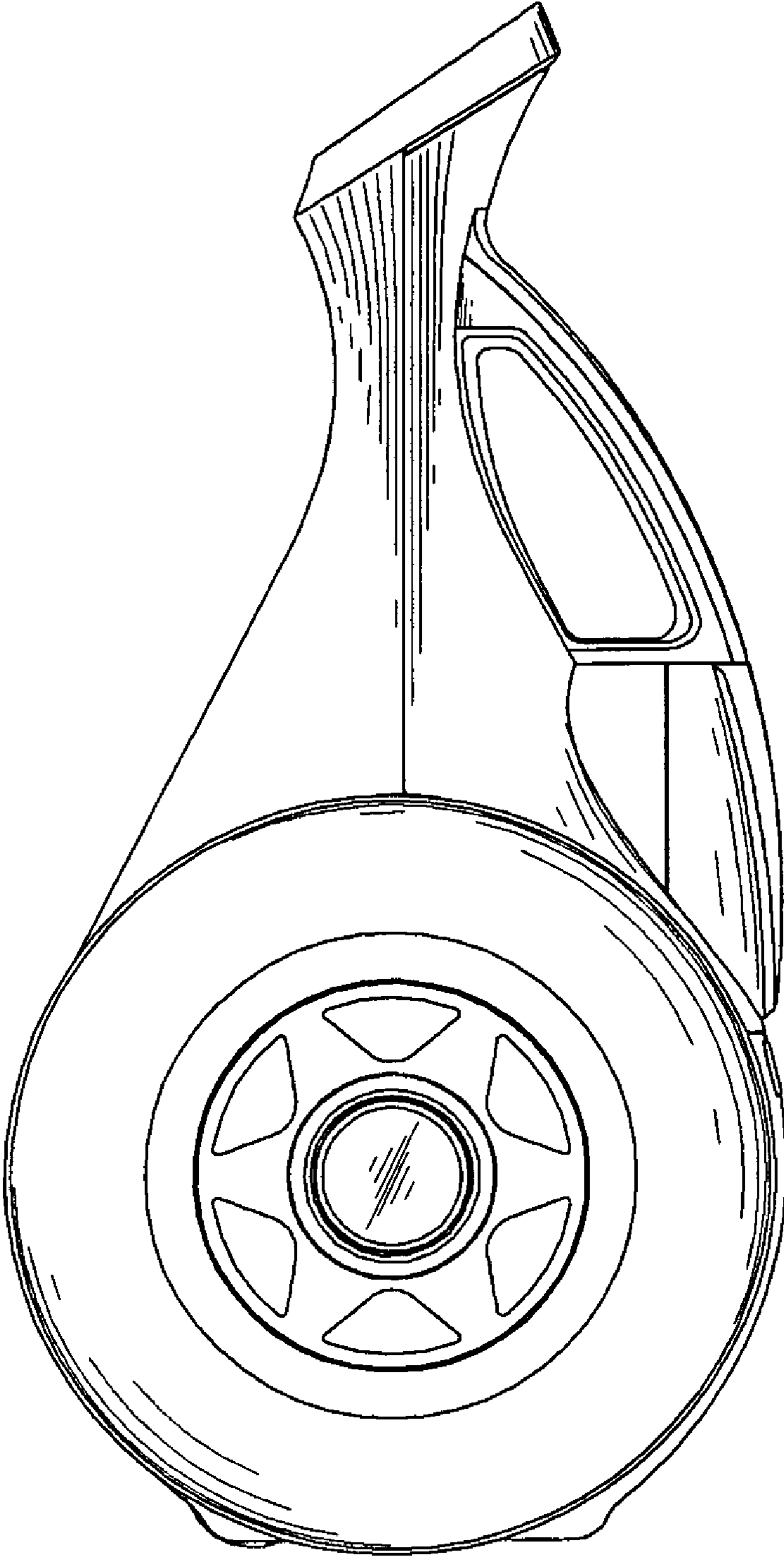




FIG.5

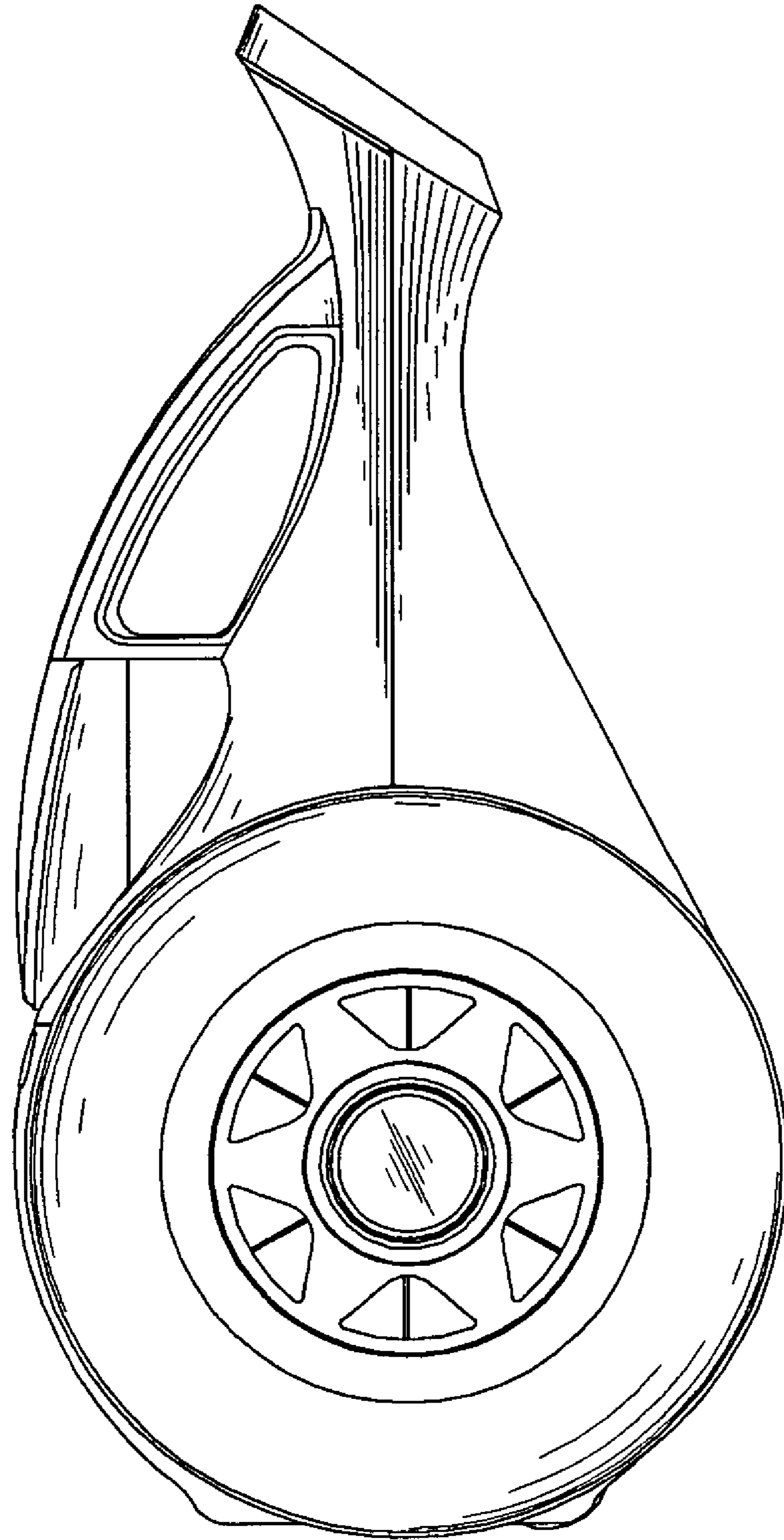


FIG.6

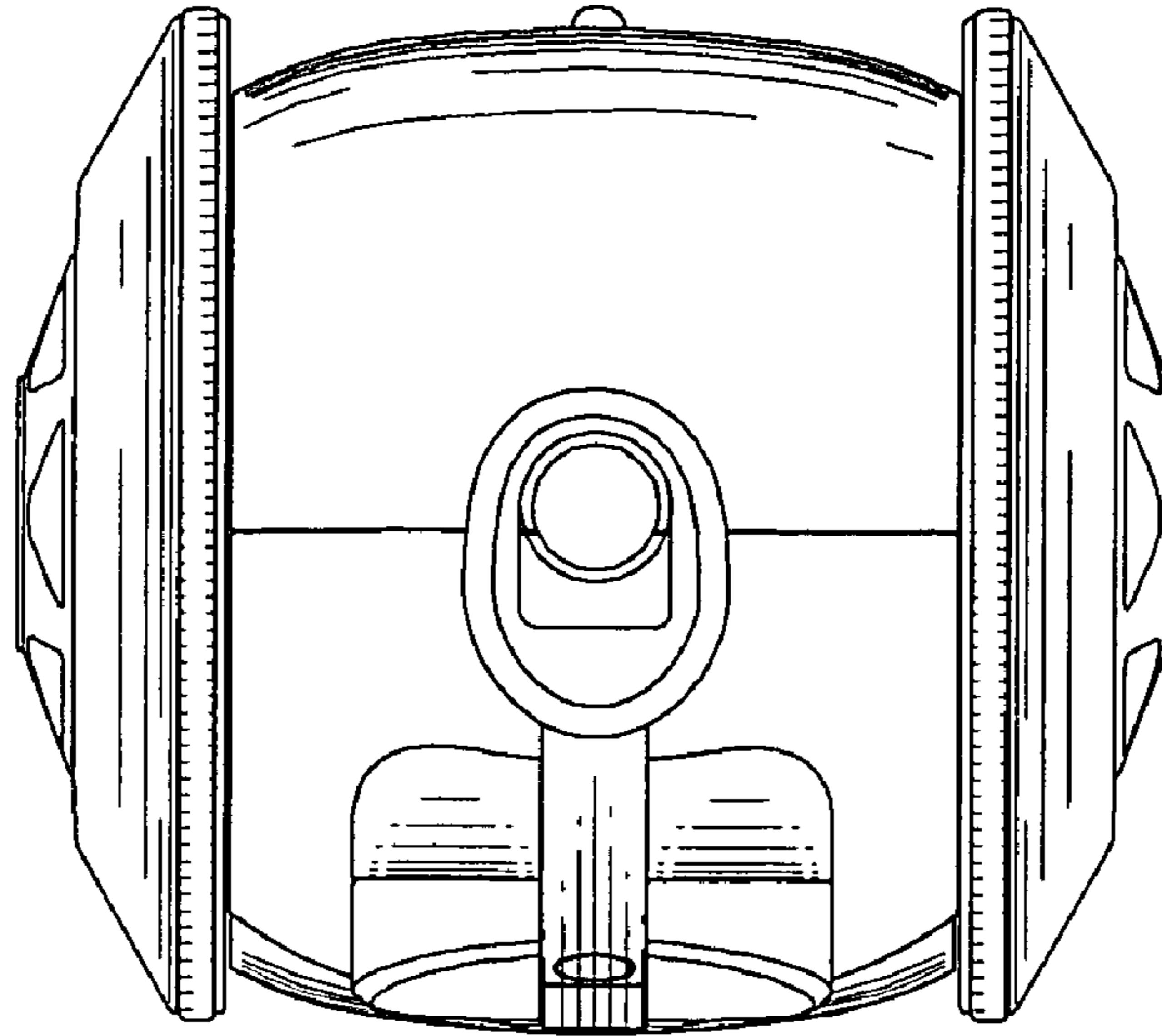


FIG.7

