

US00D600865S

(12) **United States Design Patent**  
**Caserta et al.**

(10) **Patent No.:** **US D600,865 S**

(45) **Date of Patent:** **\*\* Sep. 22, 2009**

(54) **SHOE CLEANER DEVICE**

D495,842 S \* 9/2004 Minkley et al. .... D32/40  
D520,678 S \* 5/2006 Weggelaar ..... D28/7  
D537,588 S \* 2/2007 Ajluni et al. .... D32/45

(75) Inventors: **Andrea Caserta**, Barcelona (ES);  
**Ruben Garcia Fabrega**, Barcelona  
(ES); **David Moreno Perez**, Barcelona  
(ES); **Javier Alvarez Leal**, Barcelona  
(ES)

\* cited by examiner

*Primary Examiner*—Louis S Zarfaz

*Assistant Examiner*—Kathleen M Sims

(73) Assignee: **Zobelespana S.A.**, Barcelona (ES)

(74) *Attorney, Agent, or Firm*—Knobbe Martens Olson &  
Bear LLP

(\*\*) Term: **14 Years**

(57) **CLAIM**

(21) Appl. No.: **29/243,398**

The ornamental design for a shoe cleaner device, as shown  
and described.

(22) Filed: **Nov. 23, 2005**

(51) **LOC (9) Cl.** ..... **15-05**

**DESCRIPTION**

(52) **U.S. Cl.** ..... **D32/14.01**

(58) **Field of Classification Search** ..... D4/114,  
D4/137, 127; D9/504; D28/7, 63; 15/244.1–244.4,  
15/22.2, 97.1, 28, 208, 209.1; 401/125, 190,  
401/188 R; D32/25, 35, 14.1, 15, 17, 40,  
D32/51, 52, 45

FIG. 1 is a front perspective view taken from a right side of a  
shoe cleaner device showing the new design;

FIG. 2 is a front view thereof;

FIG. 3 is a top plan view thereof;

FIG. 4 is a left side view thereof;

FIG. 5 is a rear view thereof;

FIG. 6 is a right side view thereof;

FIG. 7 is a bottom plan view thereof; and,

FIG. 8 is a back perspective view taken from a left side  
thereof.

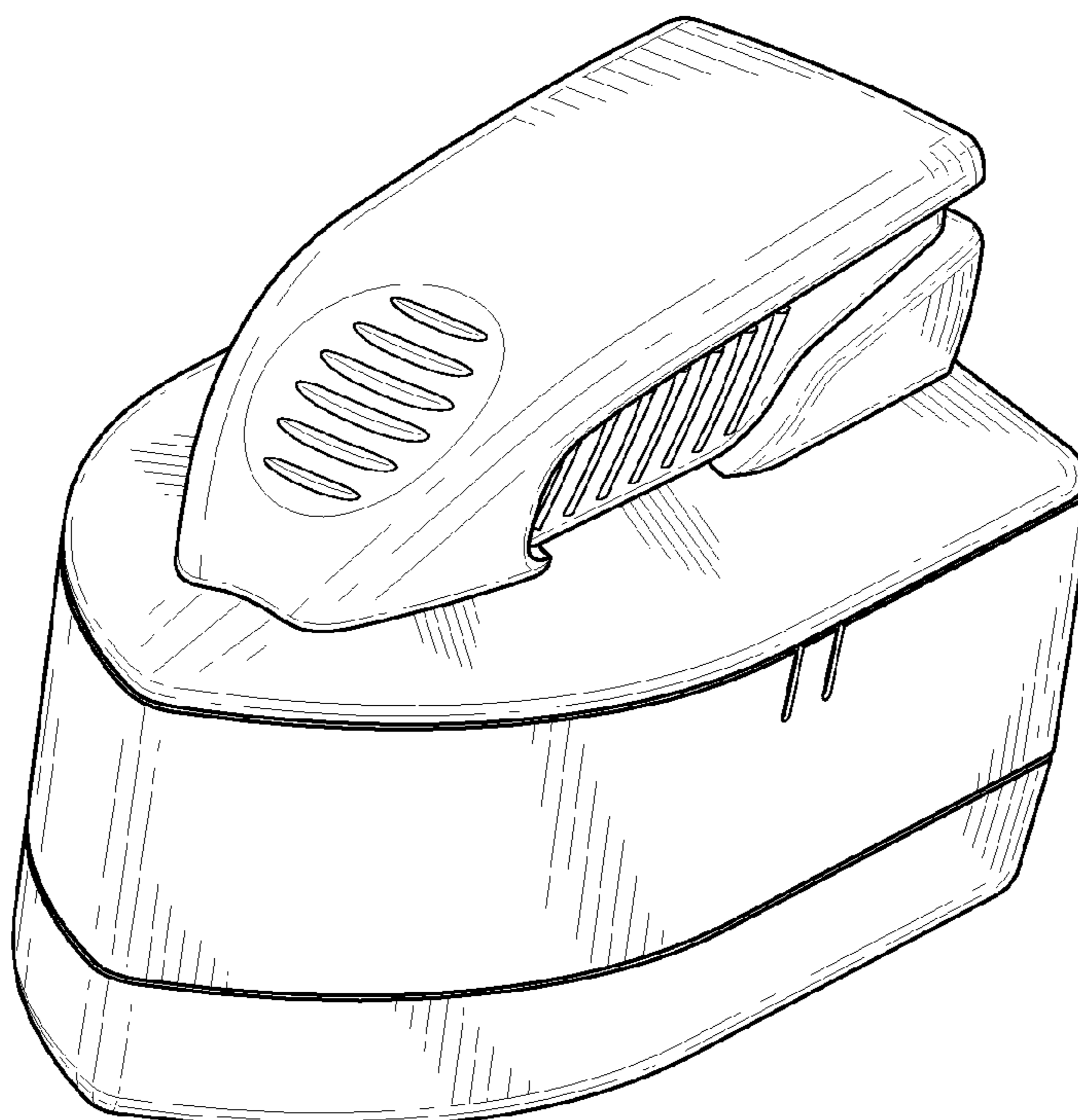
See application file for complete search history.

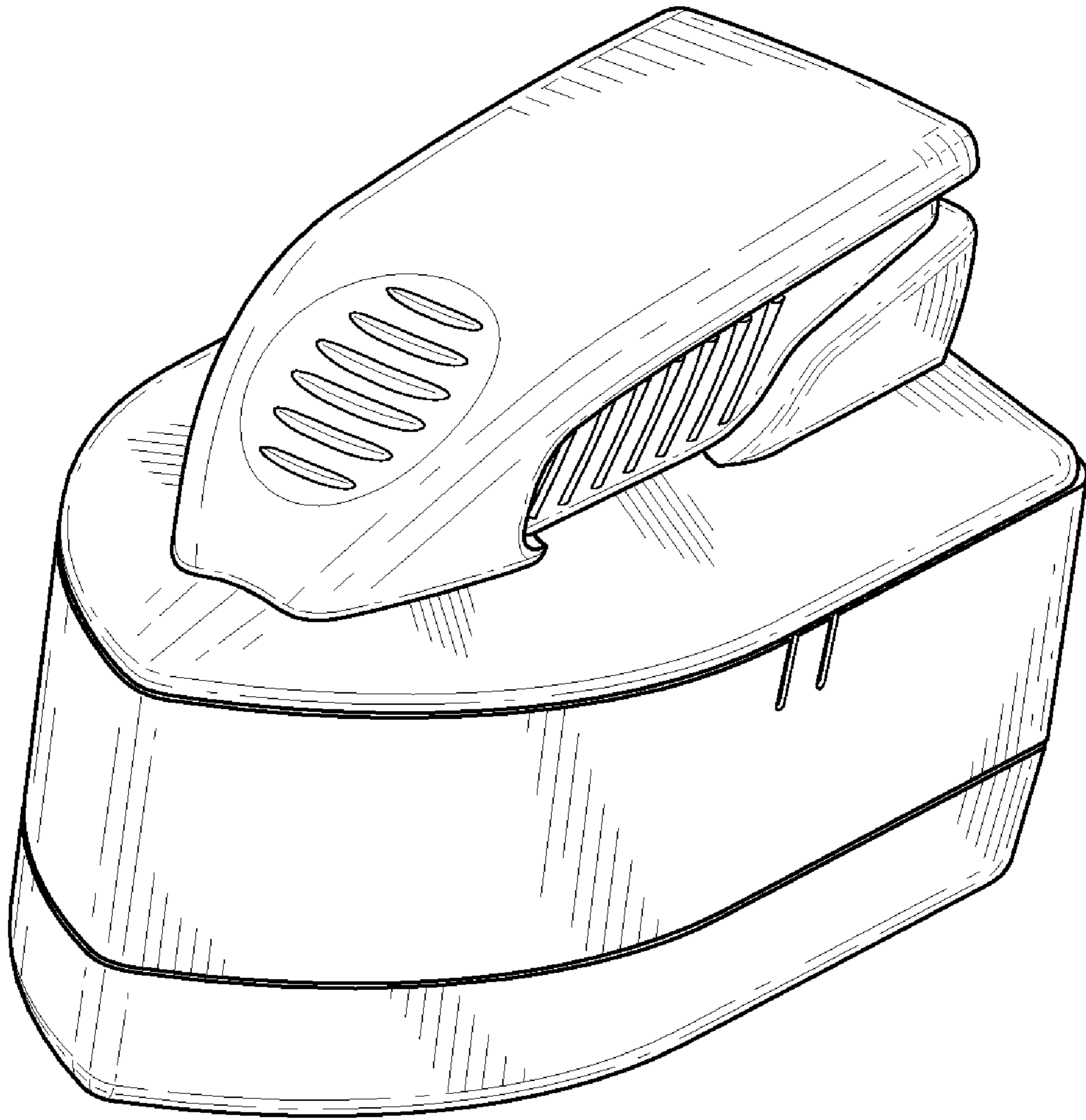
(56) **References Cited**

**U.S. PATENT DOCUMENTS**

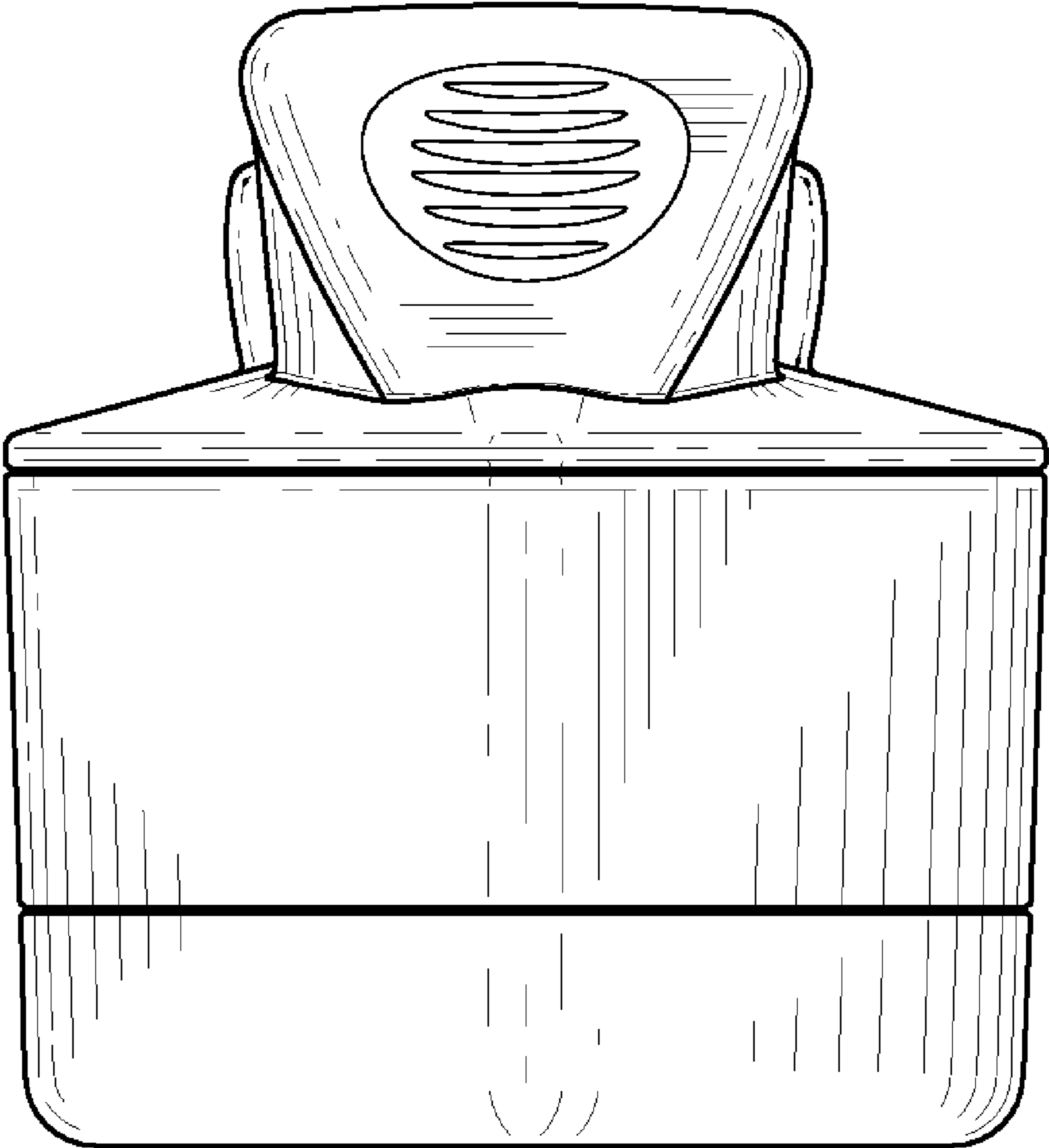
D405,572 S \* 2/1999 Bouchez ..... D32/45  
D437,095 S \* 1/2001 Osiecki et al. .... D32/40  
D446,346 S \* 8/2001 Angeletta ..... D28/7  
D459,026 S \* 6/2002 Zigmans ..... D28/7

**1 Claim, 8 Drawing Sheets**

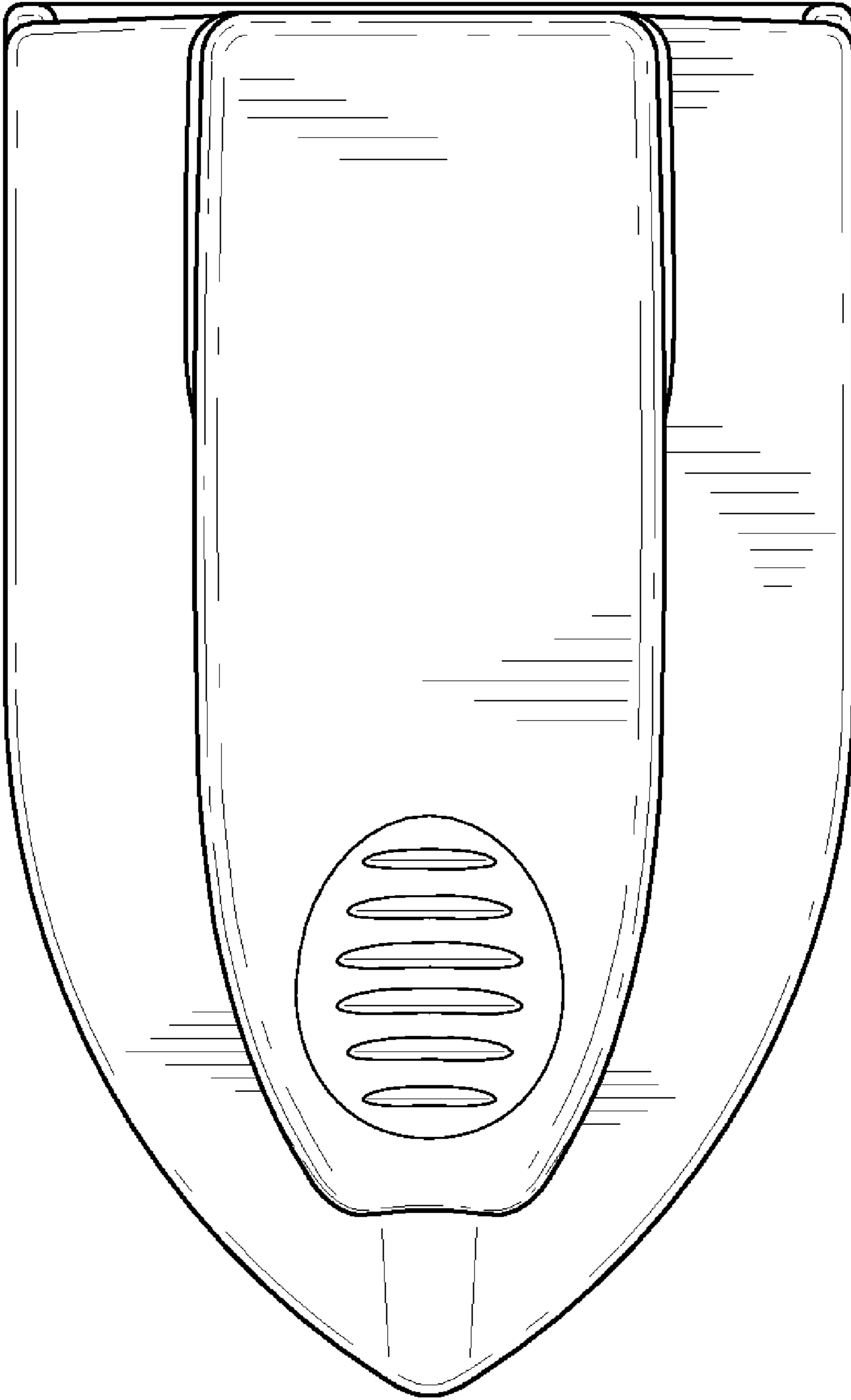




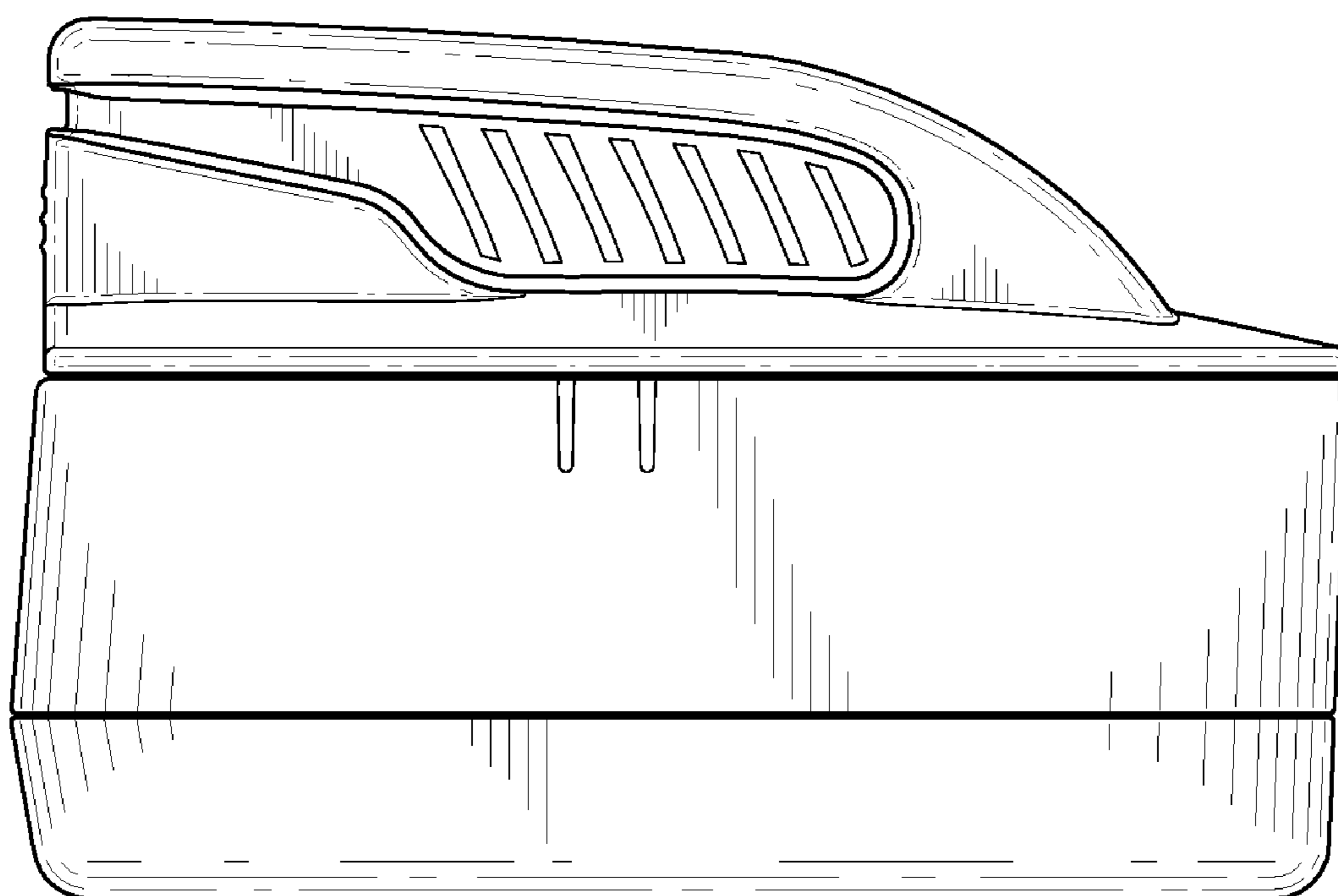
**FIG. 1**



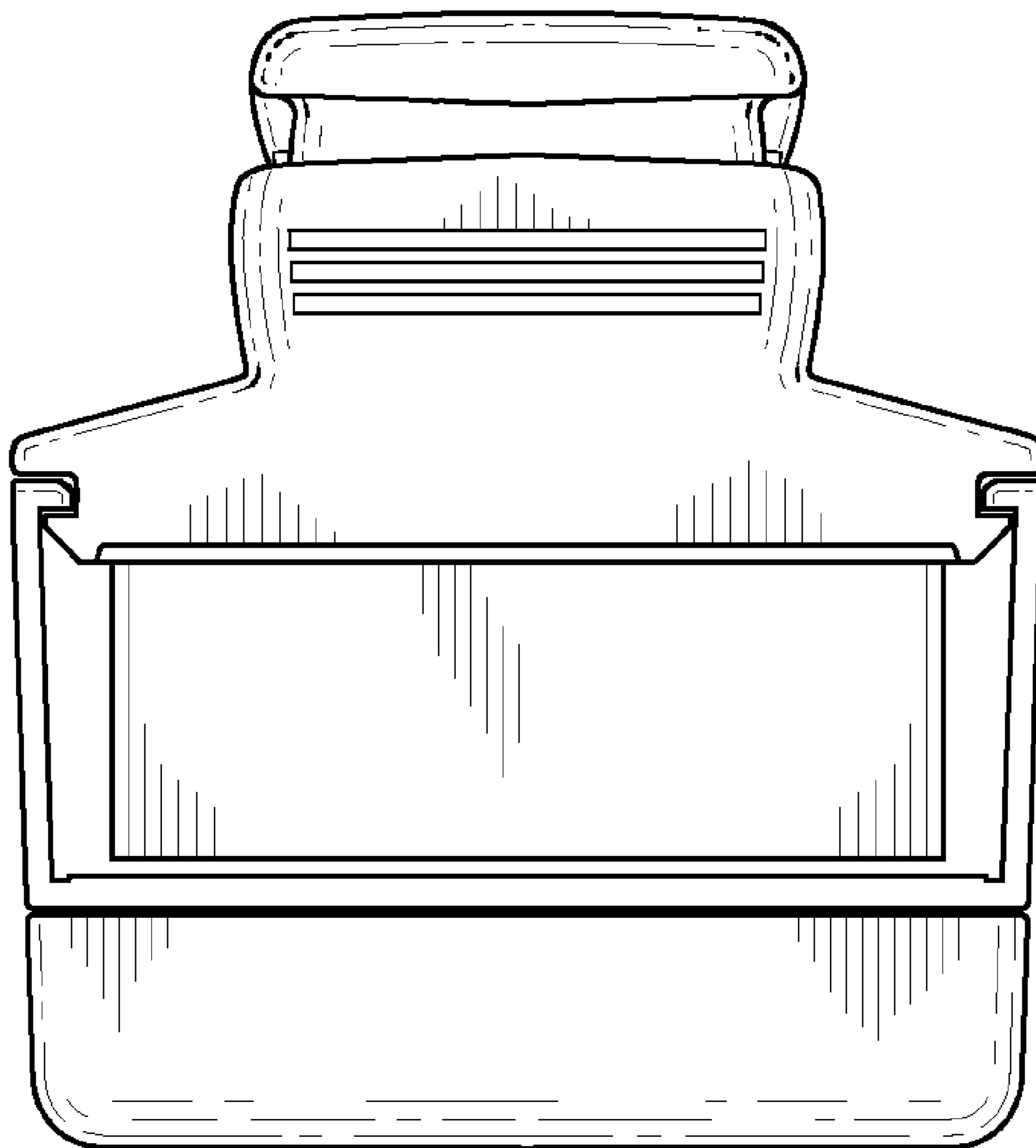
**FIG. 2**



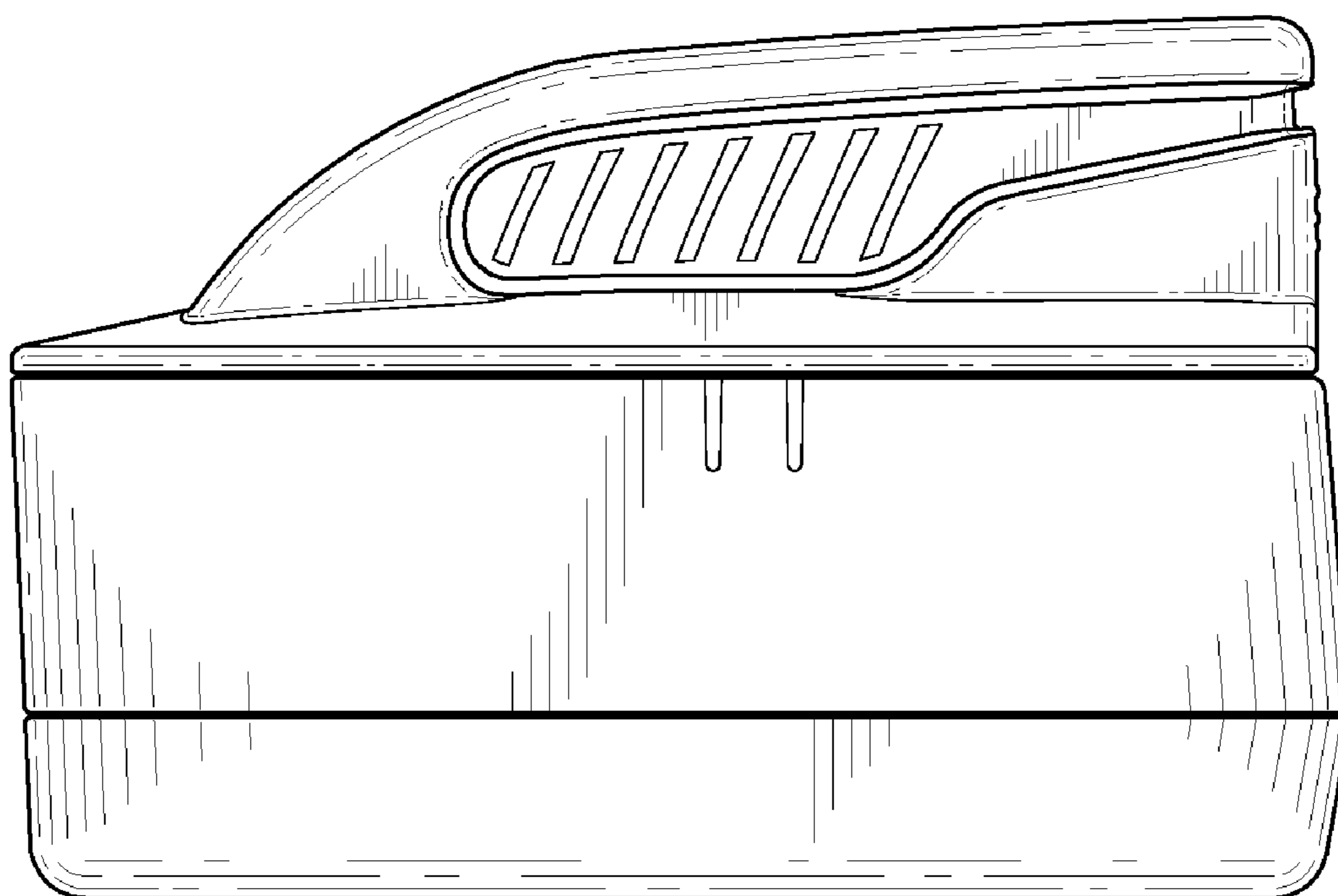
**FIG. 3**



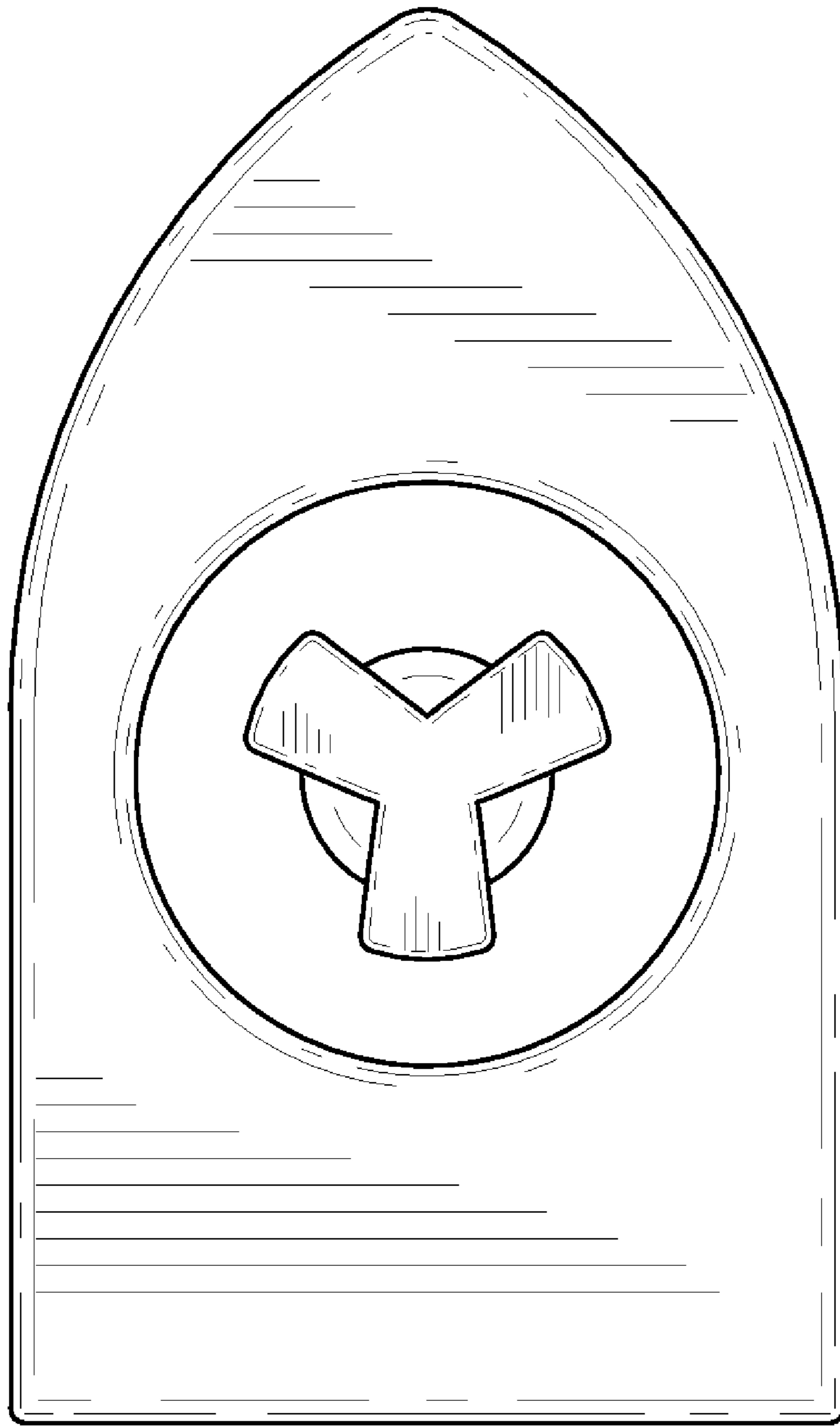
**FIG. 4**



**FIG. 5**

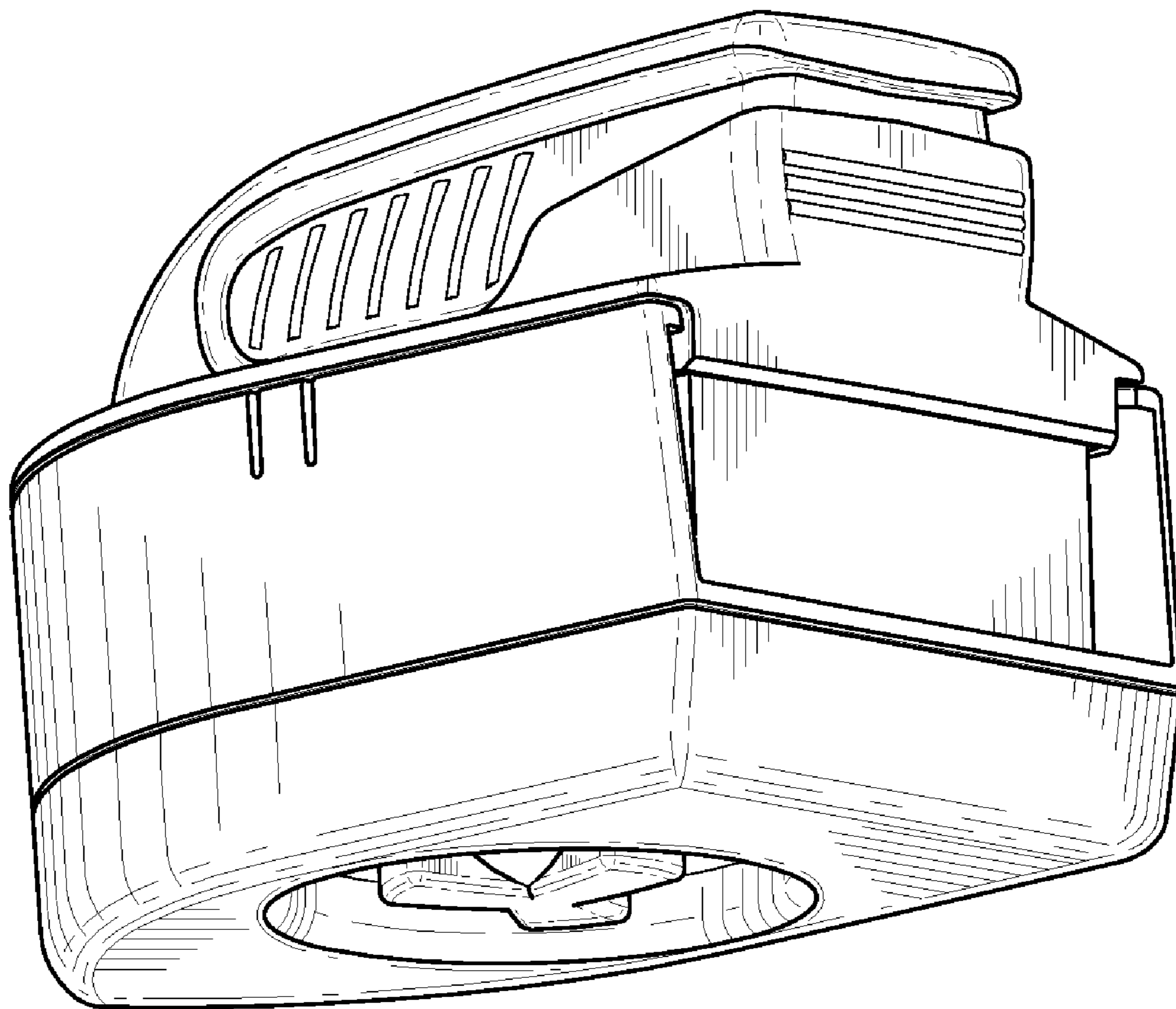


**FIG. 6**



**FIG. 7**





**FIG. 8**