

US00D600863S

(12) **United States Design Patent**
Goodell

(10) **Patent No.:** **US D600,863 S**

(45) **Date of Patent:** **** Sep. 22, 2009**

(54) **ELASTIC LEASH ATTACHMENT**

(76) Inventor: **John Gregory Goodell**, 186 - 35th Ave.
East, Seattle, WA (US) 98112

(**) Term: **14 Years**

(21) Appl. No.: **29/312,396**

(22) Filed: **Oct. 16, 2008**

(51) **LOC (9) Cl.** **30-04**

(52) **U.S. Cl.** **D30/153**

(58) **Field of Classification Search** D30/151-154;
119/792-799, 758, 760, 769, 770, 712, 784,
119/802, 856, 857, 863, 865, 719, 859, 908,
119/776; D24/199; 182/3; 248/690; 24/594.11,
24/DIG. 35, 3.2, 600.7, 905; 54/71, 34; 267/113,
267/136, 34, 70, 72, 71; 16/66; 340/573.3,
340/668; 294/82.34, 19.1; 114/221 R; 441/75;
128/878, 882, DIG. 15; D29/120.1-120.2
See application file for complete search history.

(56) **References Cited**

U.S. PATENT DOCUMENTS

548,062	A *	10/1895	Joyner	119/787
3,104,650	A *	9/1963	Grahling	119/770
3,817,218	A *	6/1974	Bongiovanni	119/864
3,884,190	A *	5/1975	Gurrey	119/797
4,541,364	A *	9/1985	Contello	119/772
4,948,117	A *	8/1990	Burke	482/55
4,998,507	A *	3/1991	Browning	119/799
5,003,929	A *	4/1991	Dean	119/784
5,462,019	A *	10/1995	Hong-Rong et al.	119/795
5,483,925	A *	1/1996	Childress	119/795
5,551,379	A *	9/1996	Hart	119/771
5,600,873	A *	2/1997	May	24/3.2
5,632,234	A *	5/1997	Parker	119/795
5,718,190	A *	2/1998	Tinker	119/771
5,815,977	A *	10/1998	Hill, Jr.	43/25
D417,317	S *	11/1999	Greer	D30/153
6,053,129	A *	4/2000	Akre	119/795
6,085,698	A *	7/2000	Klein	119/859
6,237,539	B1 *	5/2001	Sporn	119/795
D455,527	S *	4/2002	Epstein	D30/153

6,460,488	B1 *	10/2002	Manzella et al.	119/798
6,474,270	B1 *	11/2002	Imes	119/796
6,612,264	B2 *	9/2003	Levine	119/795
6,619,238	B1 *	9/2003	Amato	119/795
6,701,873	B2 *	3/2004	Fradette, II	119/784
D509,329	S *	9/2005	Willner et al.	D30/153
7,114,467	B2 *	10/2006	Jones	119/795
D571,059	S *	6/2008	Napolitano	D30/153
2003/0140871	A1 *	7/2003	Levine	119/795
2004/0069241	A1 *	4/2004	Falwell	119/795
2004/0200436	A1 *	10/2004	Staack	119/792
2004/0226520	A1 *	11/2004	Ballard	119/799

* cited by examiner

Primary Examiner—Susan Moon Lee

(74) *Attorney, Agent, or Firm*—Dean A. Craine

(57) **CLAIM**

The ornamental design for an elastic leash attachment, as shown and described.

DESCRIPTION

FIG. 1 is a perspective view of the elastic leash attachment.

FIG. 2 is a front elevational view of the invention.

FIG. 3 is a right side elevational view of the invention.

FIG. 4 is a rear elevational view of the invention.

FIG. 5 is a left side elevational view of the invention.

FIG. 6 is a top plan view of the invention.

FIG. 7 is a bottom plan view of the invention.

FIG. 8 is a perspective view of the second embodiment of the elastic leash attachment.

FIG. 9 is a front elevational view of the invention.

FIG. 10 is a right side elevational view of the invention.

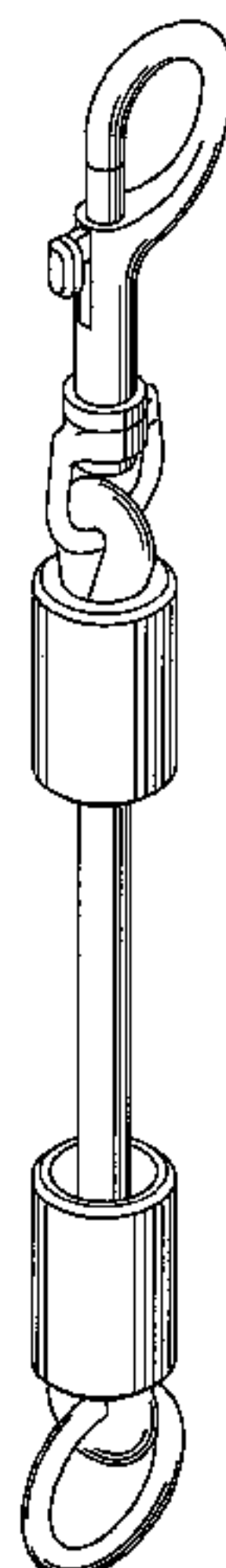
FIG. 11 is a rear elevational view of the invention.

FIG. 12 is a left side elevational view of the invention.

FIG. 13 is a top plan view of the invention; and,

FIG. 14 is a bottom plan view of the invention.

1 Claim, 4 Drawing Sheets



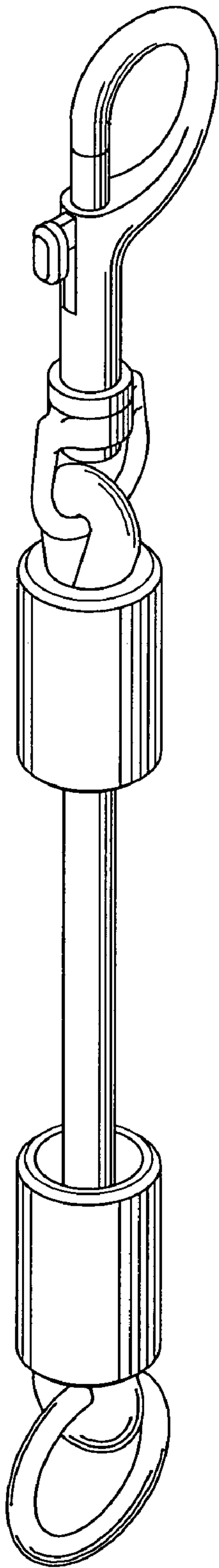


Fig. 1

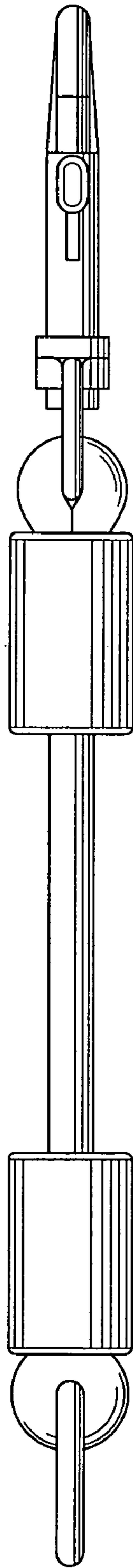


Fig. 2

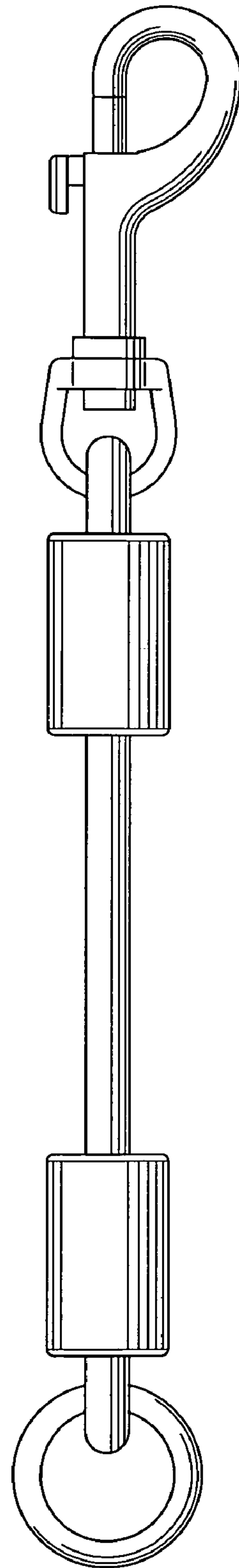


Fig. 3

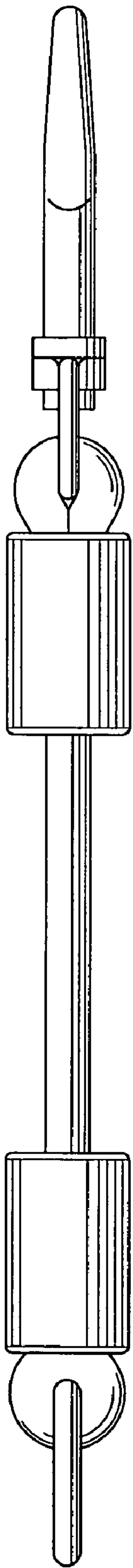


Fig. 4

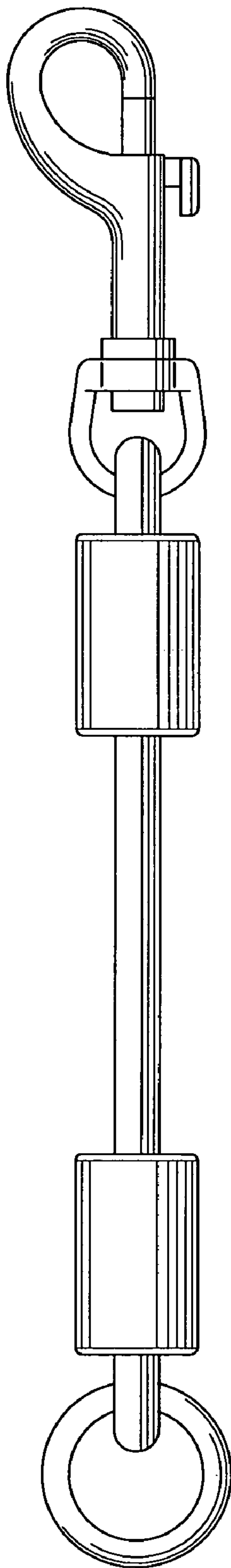


Fig. 5

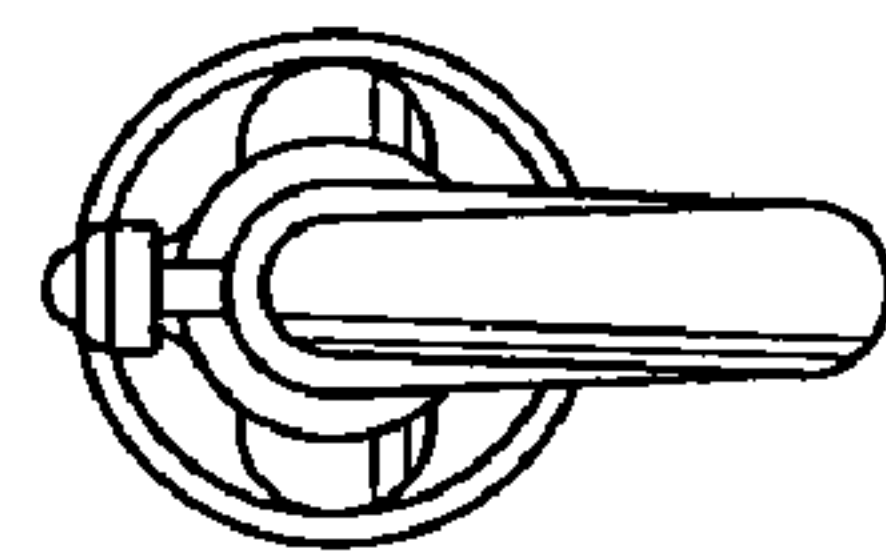


Fig. 6

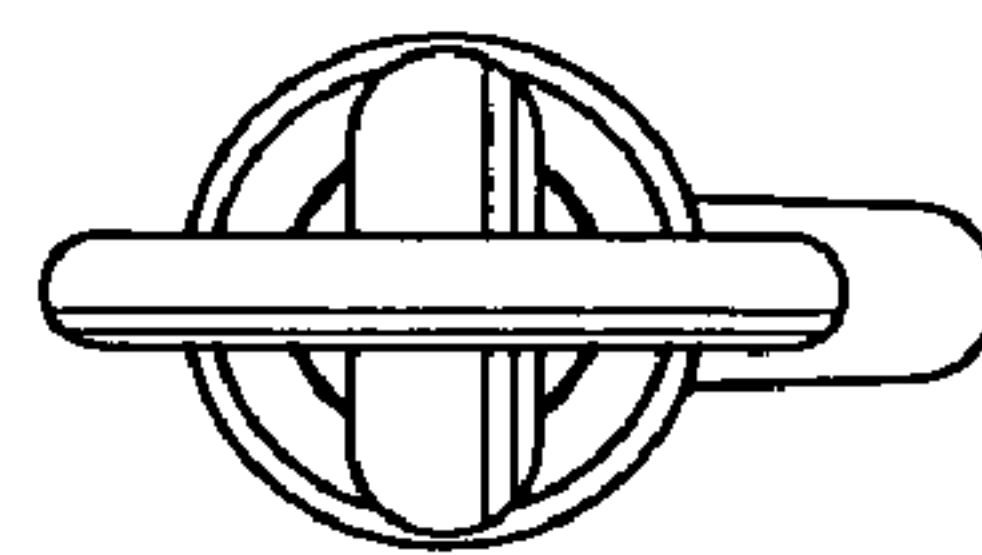


Fig. 7

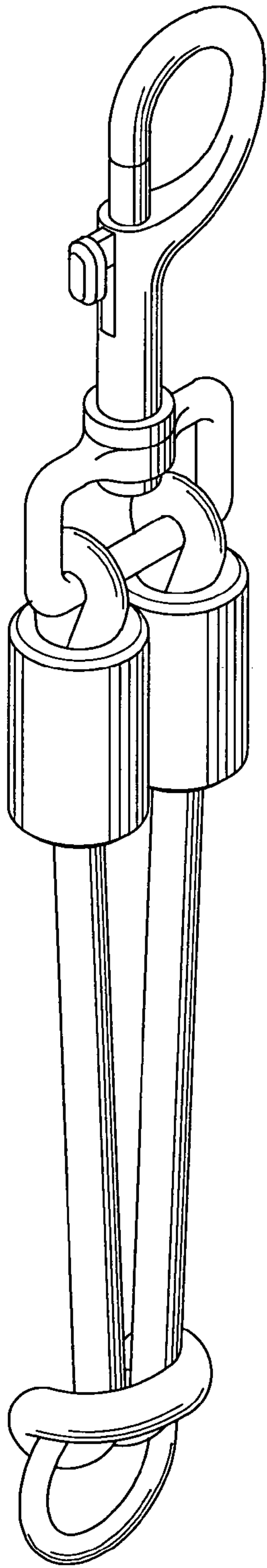


Fig. 8

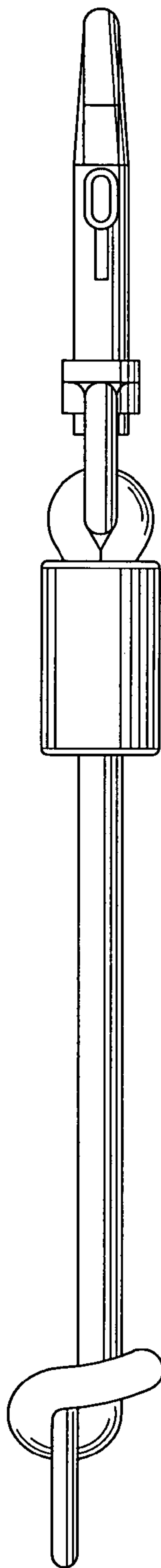


Fig. 9

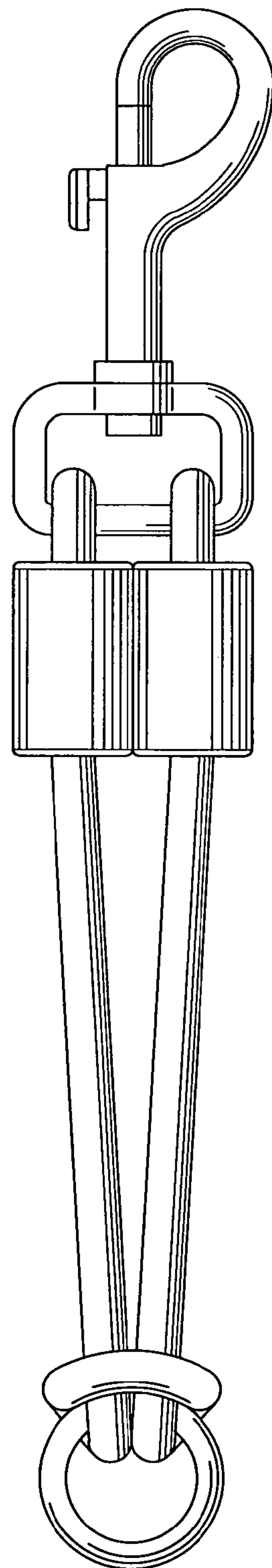


Fig. 10

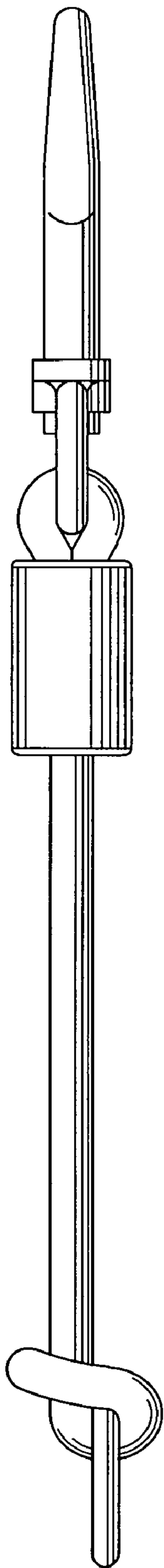


Fig. 11

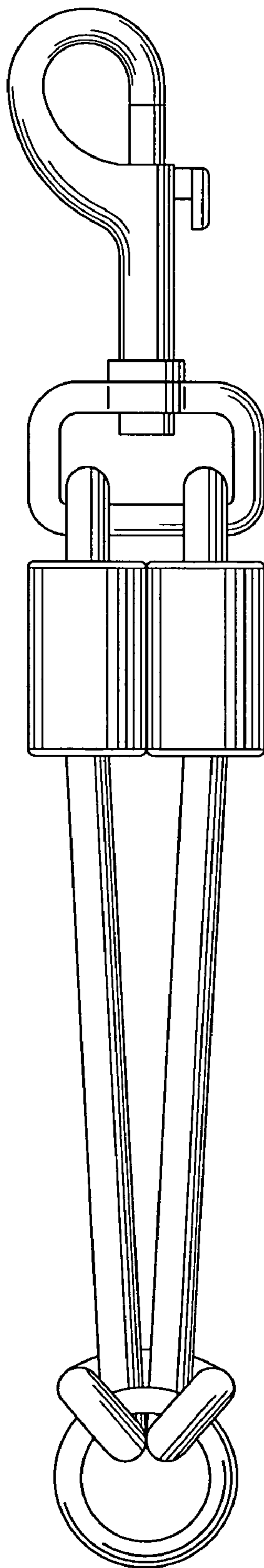


Fig. 12

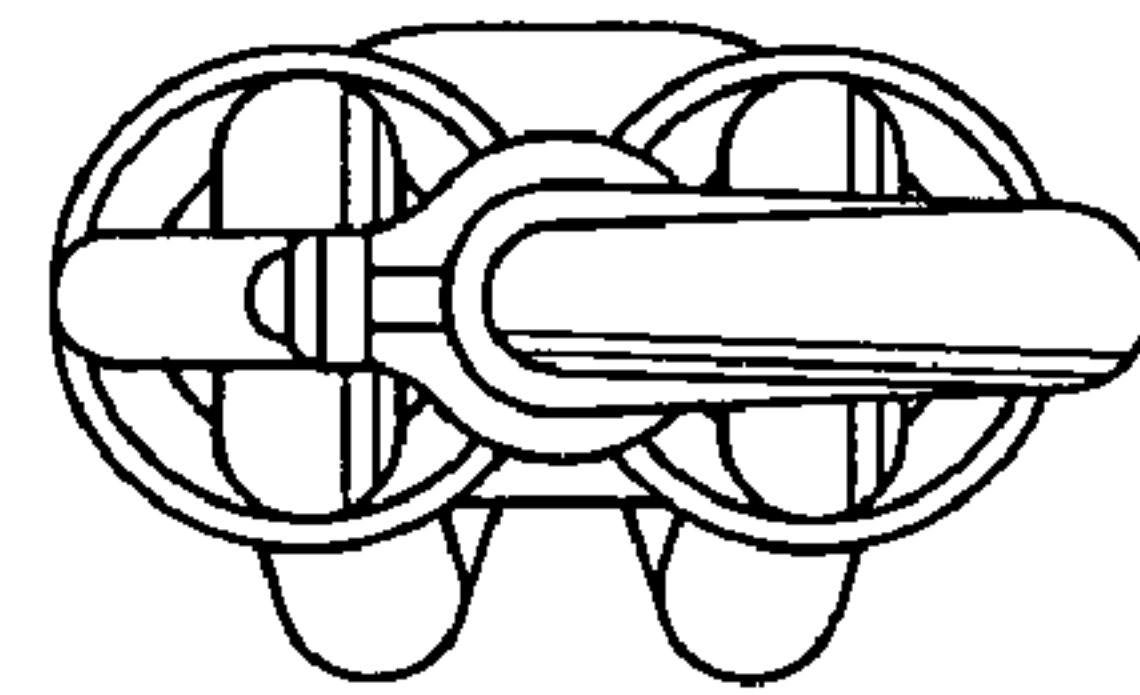


Fig. 13

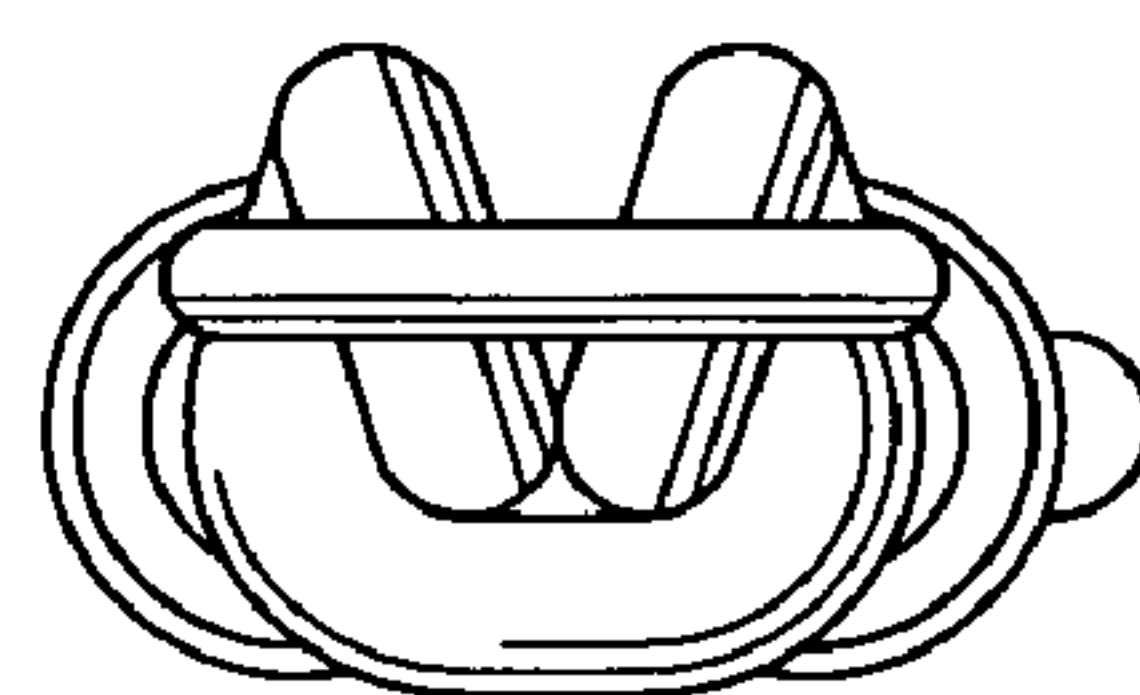


Fig. 14