



US00D600858S

(12) **United States Design Patent**
Thorpe et al.

(10) **Patent No.:** **US D600,858 S**
(45) **Date of Patent:** **** Sep. 22, 2009**

(54) **CUSTOMIZABLE COMPACT**

(76) Inventors: **Richard Thorpe**, 6 Apple Lane, Califon, NJ (US) 07830; **Anthony DeMarco**, 10 Fawn Hill Dr., Mahwah, NJ (US) 07430

(**) Term: **14 Years**

(21) Appl. No.: **29/303,083**

(22) Filed: **Jan. 31, 2008**

(51) **LOC (9) Cl.** **28-03**

(52) **U.S. Cl.** **D28/83**

(58) **Field of Classification Search** 132/293–307, 132/313–315, 317; D28/76, 77, 82, 91; 206/823, 206/581; D9/503–504, 529; 220/4.27
See application file for complete search history.

(56) **References Cited**

U.S. PATENT DOCUMENTS

4,421,127	A *	12/1983	Geer	132/294
D293,612	S *	1/1988	Bulwik	D28/83
5,005,697	A *	4/1991	Jimbo et al.	206/581
D316,763	S	5/1991	Ferrari		
5,655,553	A *	8/1997	Giese et al.	132/303
5,713,471	A *	2/1998	Gueret	206/581
5,813,420	A *	9/1998	Sussman	132/294
D479,630	S *	9/2003	Lai	D28/83
D485,018	S *	1/2004	Beilman	D28/77
D564,707	S *	3/2008	Barresi	D28/83
2007/0235056	A1	10/2007	Vintimiglia et al.		
2008/0023023	A1 *	1/2008	Boye et al.	132/294

* cited by examiner

Primary Examiner—Jennifer Rivard
(74) *Attorney, Agent, or Firm*—Lee & Hayes, PLLC

(57) **CLAIM**

The ornamental design for a customizable compact, as shown and described.

DESCRIPTION

FIG. 1 is a perspective view of a customizable compact according to one implementation;

FIG. 2 is a top plan view of the customizable compact of FIG. 1;

FIG. 3 is a bottom view of the customizable compact of FIG. 1;

FIG. 4 is a right side elevation view of the customizable compact of FIG. 1;

FIG. 5 is a left side elevation view of the customizable compact of FIG. 1;

FIG. 6 is a front elevation view of the customizable compact of FIG. 1;

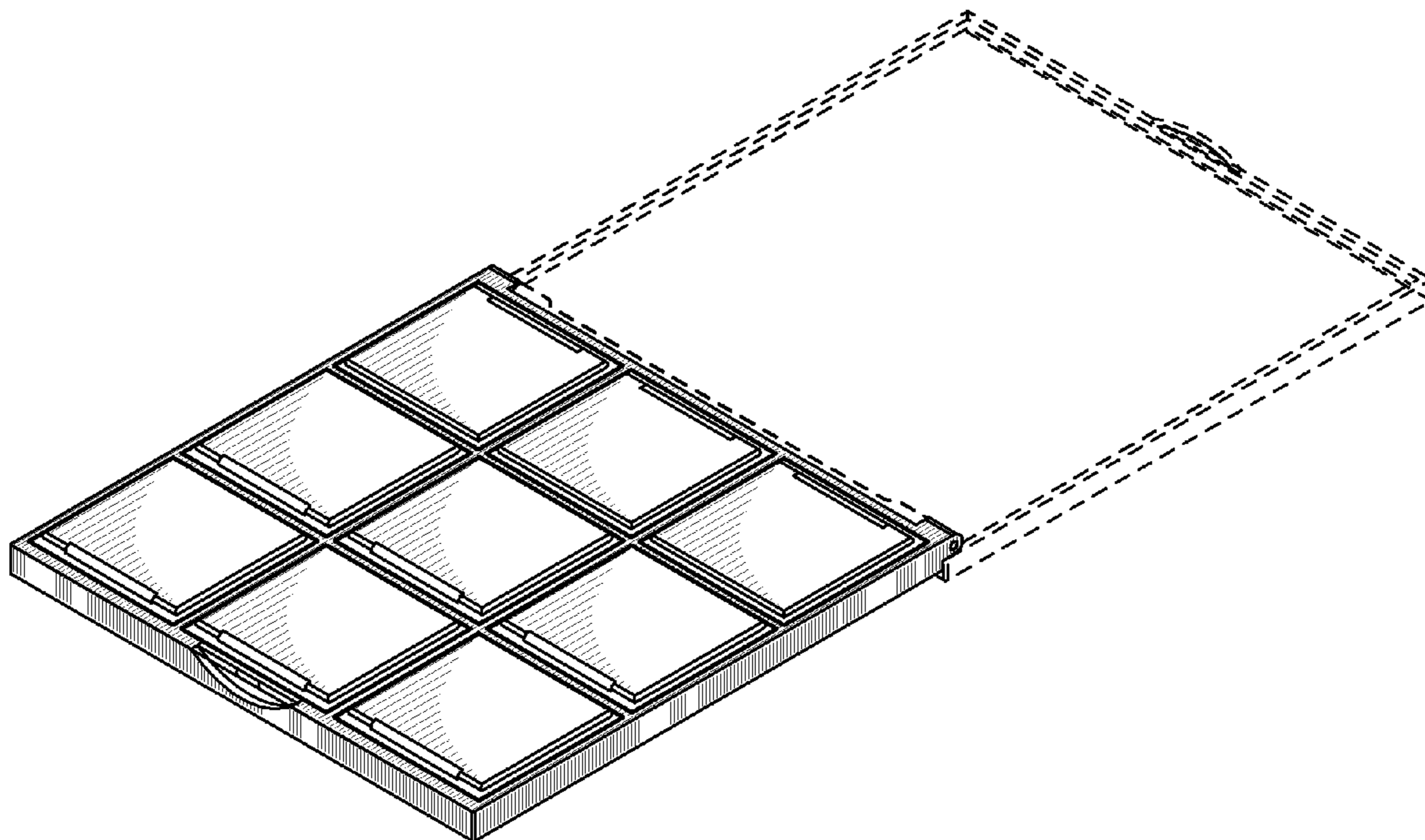
FIG. 7 is a back elevation view of the customizable compact of FIG. 1; and,

FIG. 8 is a perspective view of a customizable compact according to the implementation of FIG. 1 with a cover shown in broken lines for context.

The broken lines are directed to environment and are for illustrative purposes only.

The broken lines form no part of the claimed design.

1 Claim, 6 Drawing Sheets



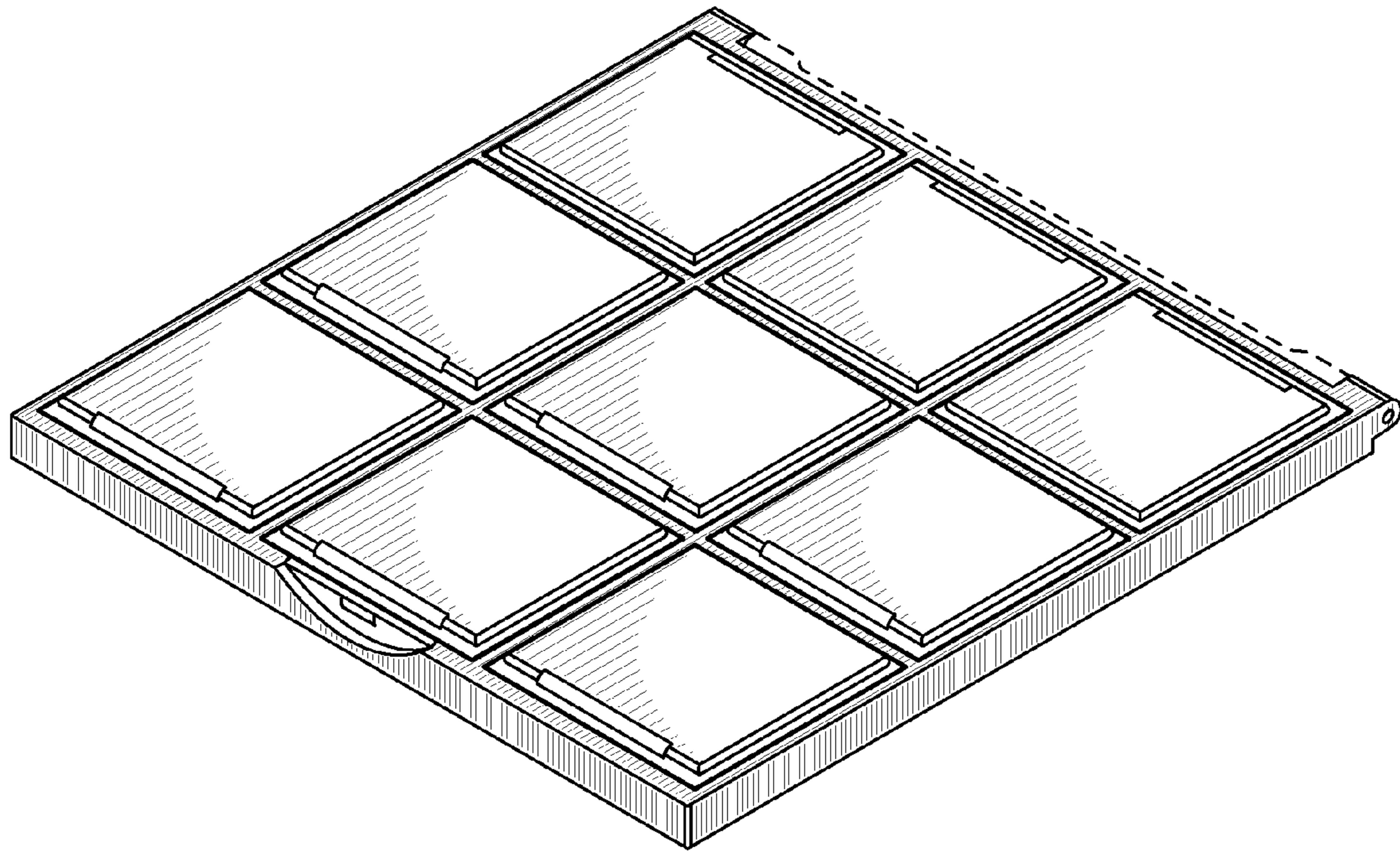


FIG. 1

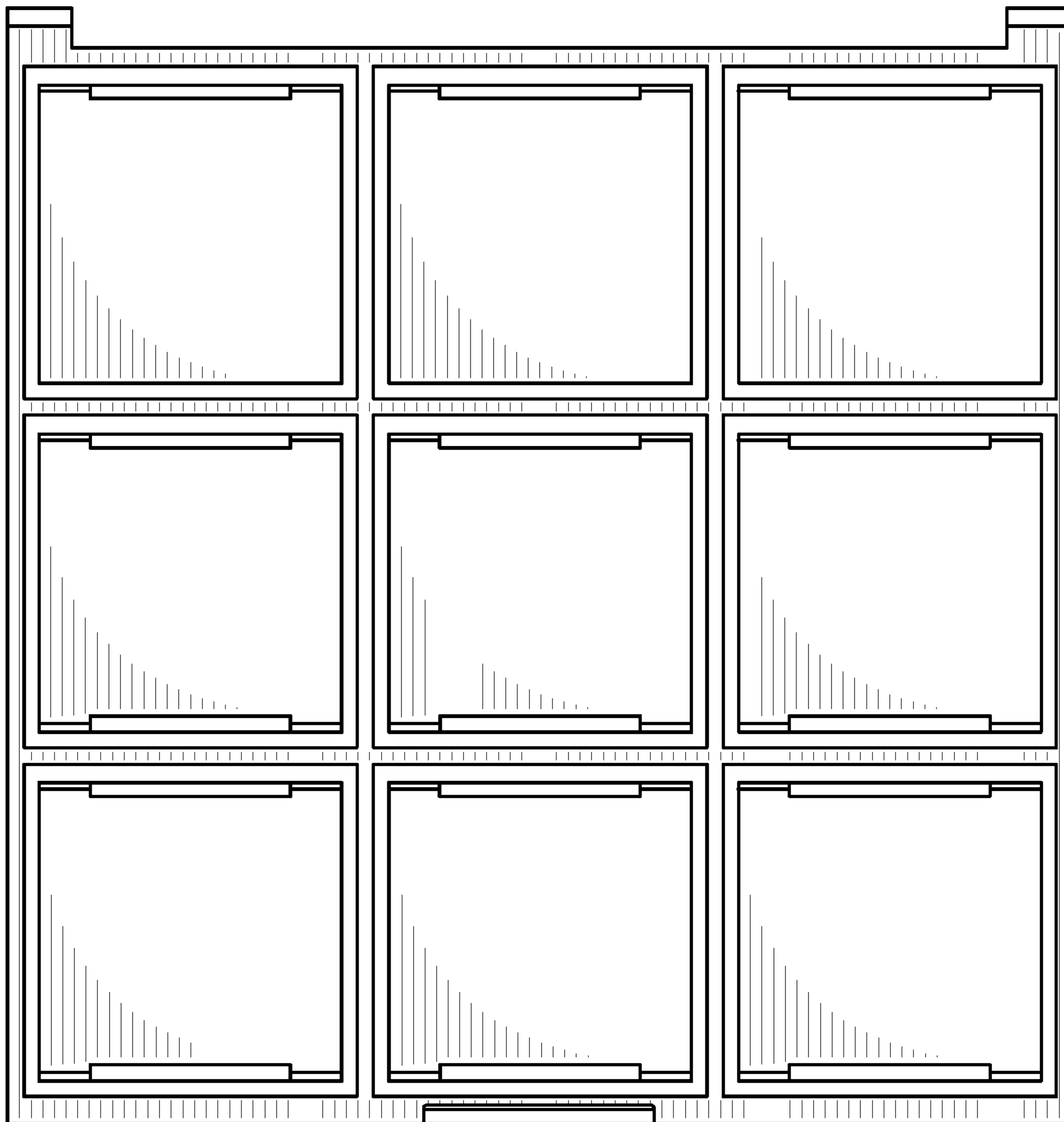


FIG. 2

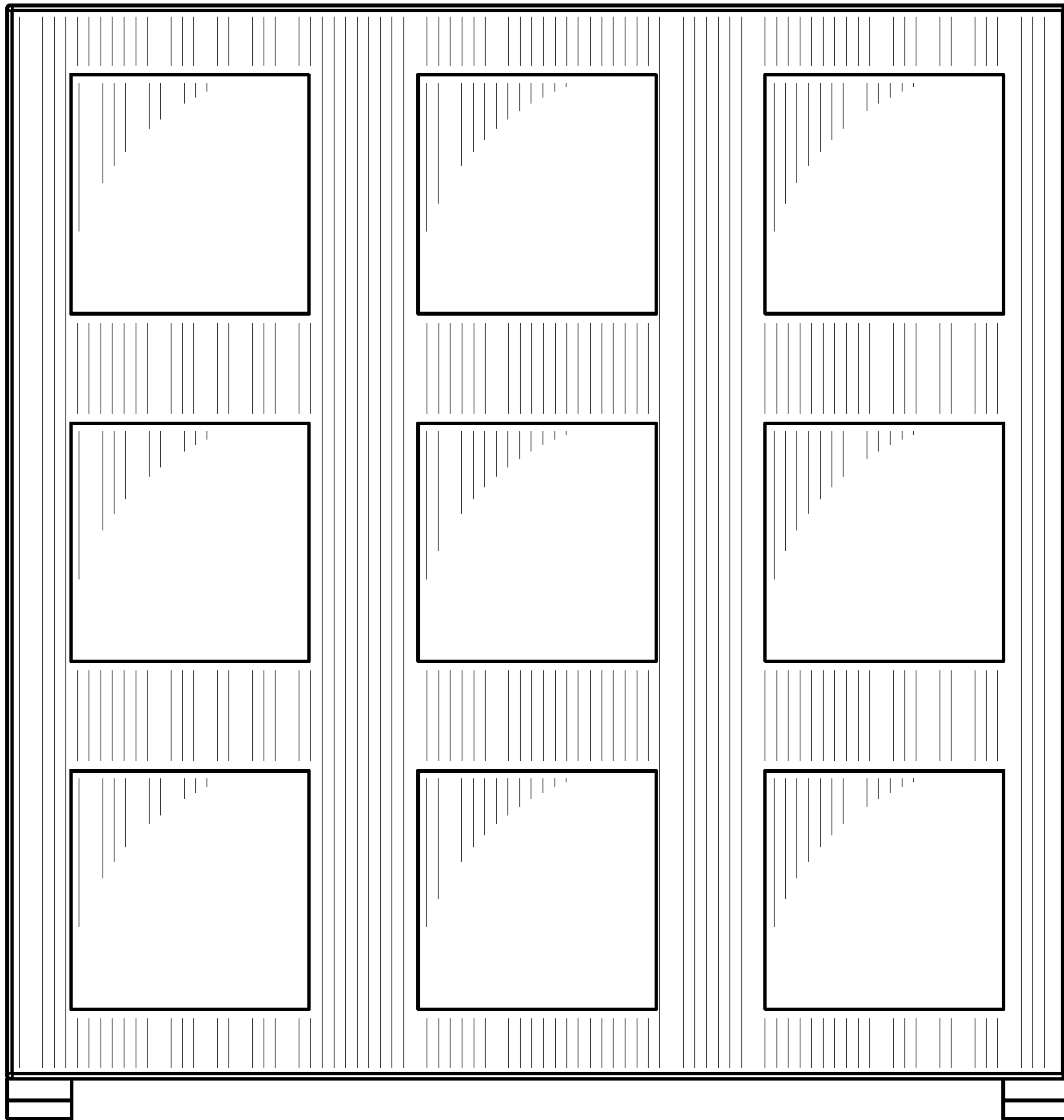


FIG. 3

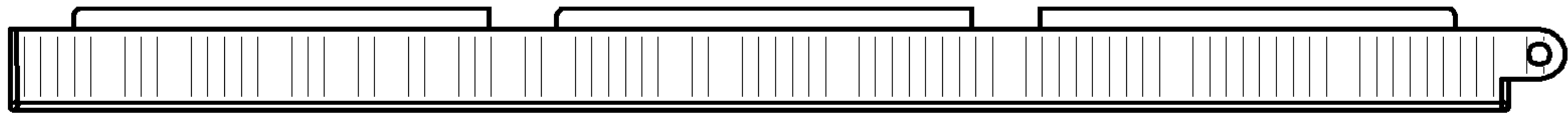


FIG. 4

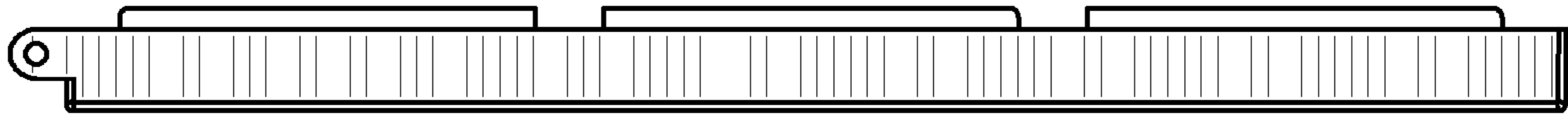


FIG. 5

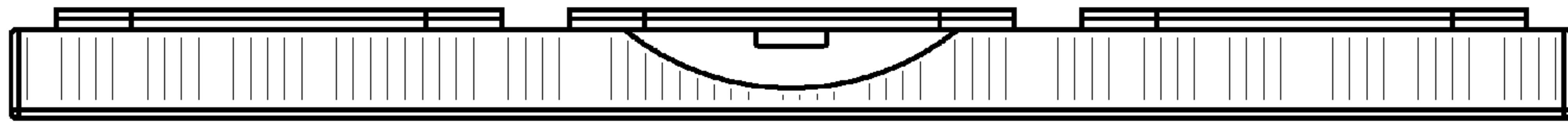


FIG. 6

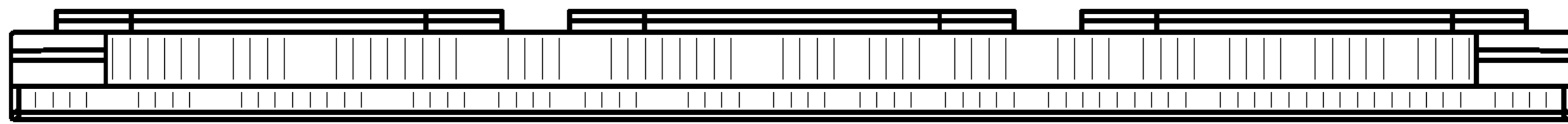


FIG. 7

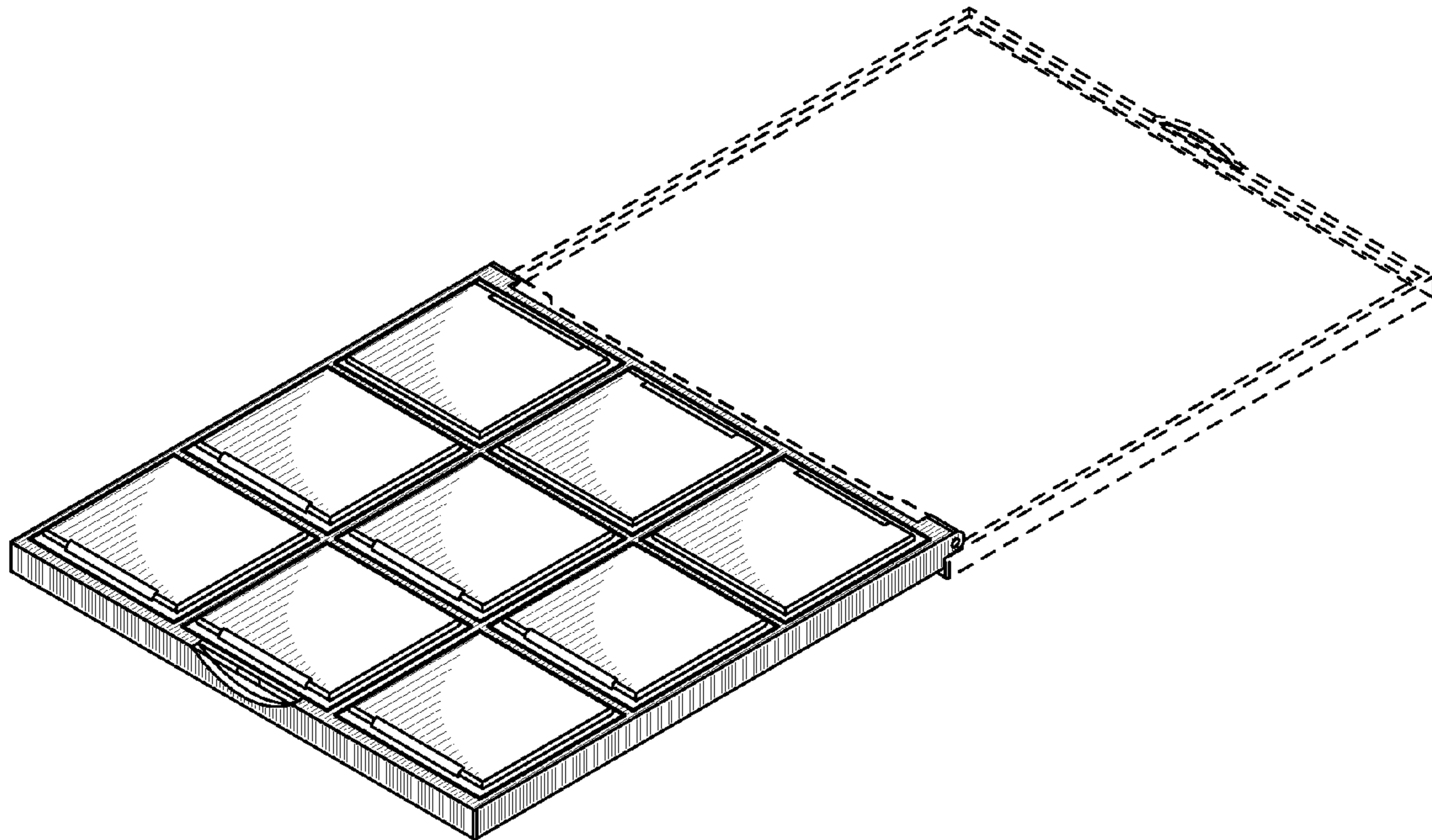


FIG. 8