



US00D600856S

(12) **United States Design Patent**  
**Robert**

(10) **Patent No.:** **US D600,856 S**  
(45) **Date of Patent:** **\*\* Sep. 22, 2009**

(54) **HAND DRYER**

(75) Inventor: **Michael E. Robert**, Farmington Hills,  
MI (US)

(73) Assignee: **American Dryer, Inc.**, Livonia, MI (US)

(\*\*) Term: **14 Years**

(21) Appl. No.: **29/292,687**

(22) Filed: **Oct. 24, 2007**

(51) **LOC (9) Cl.** ..... **28-03**

(52) **U.S. Cl.** ..... **D28/54.1**

(58) **Field of Classification Search** ..... D28/12,  
D28/54.1, 58; 34/266, 201, 202; 392/381,  
392/380; D23/357, 361, 385

See application file for complete search history.

(56) **References Cited**

**U.S. PATENT DOCUMENTS**

1,455,034 A	5/1923	Small	
1,707,554 A	4/1929	Hendry	
1,781,542 A	11/1930	Engberg et al.	
2,392,405 A	1/1946	Phipps	34/3
2,464,552 A	3/1949	Breuer	219/39
2,478,559 A	8/1949	Bergeron	219/39
2,512,769 A	6/1950	Crumrine	250/27.5
2,651,705 A	9/1953	Clemens	219/39
3,128,161 A	4/1964	Hudon	34/233
3,305,938 A	2/1967	Goldstein	34/44
3,612,824 A	10/1971	Berryman	219/370
3,643,346 A	2/1972	Lester	34/202
3,674,980 A	7/1972	Cox	219/367
3,766,397 A	10/1973	Rockson	250/432
3,902,508 A	9/1975	Sliman, Sr.	132/40
4,087,924 A	5/1978	Fujimoro et al.	34/58
4,197,448 A	4/1980	Harigai	219/370
4,226,251 A	10/1980	Wall	132/85
4,263,500 A	4/1981	Springer et al.	219/377
4,323,761 A	4/1982	Hubner	219/377
4,327,278 A	4/1982	Tomaro	219/364
4,349,725 A	9/1982	Sheridan	219/373
4,419,835 A	12/1983	Strain	34/80

4,461,439 A	7/1984	Rose	248/51
4,464,906 A	8/1984	Outlaw	62/93
4,536,198 A	8/1985	Strain	55/33
4,596,921 A	6/1986	Hersh et al.	219/370
4,634,839 A	1/1987	Gilbertson	219/373
4,659,907 A	4/1987	Andis et al.	219/370
4,746,090 A	5/1988	Hamilton	248/314
4,754,769 A	7/1988	Flynn	132/73.5
4,794,225 A	12/1988	Maese	219/370
H677 H	9/1989	Lambright	310/68 C
4,876,435 A	10/1989	Hawkins	219/364
4,914,273 A	4/1990	Matsui	219/222
D309,037 S *	7/1990	Morrow	D28/54.1
D312,146 S *	11/1990	Pilolla et al.	D28/54.1
4,991,314 A	2/1991	Allen	34/98
5,054,211 A	10/1991	Shulman	34/97
5,163,234 A	11/1992	Tsukamoto et al.	34/44
5,269,071 A	12/1993	Hamabe et al.	34/48

(Continued)

**FOREIGN PATENT DOCUMENTS**

DE 292572 6/1916

(Continued)

*Primary Examiner*—Janice E Seeger  
*Assistant Examiner*—Zenia I Bennett  
(74) *Attorney, Agent, or Firm*—Bliss McGlynn, P.C.

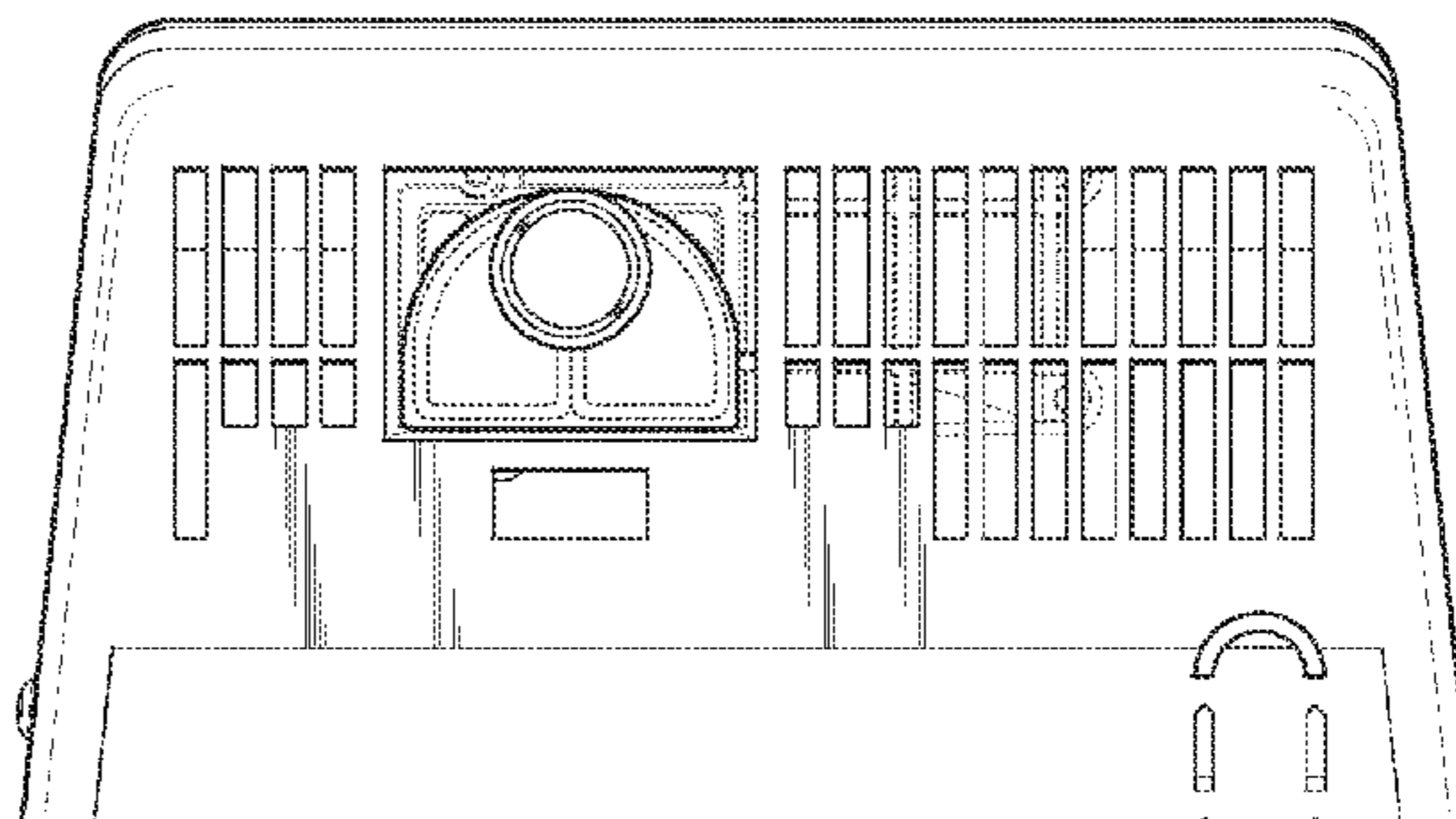
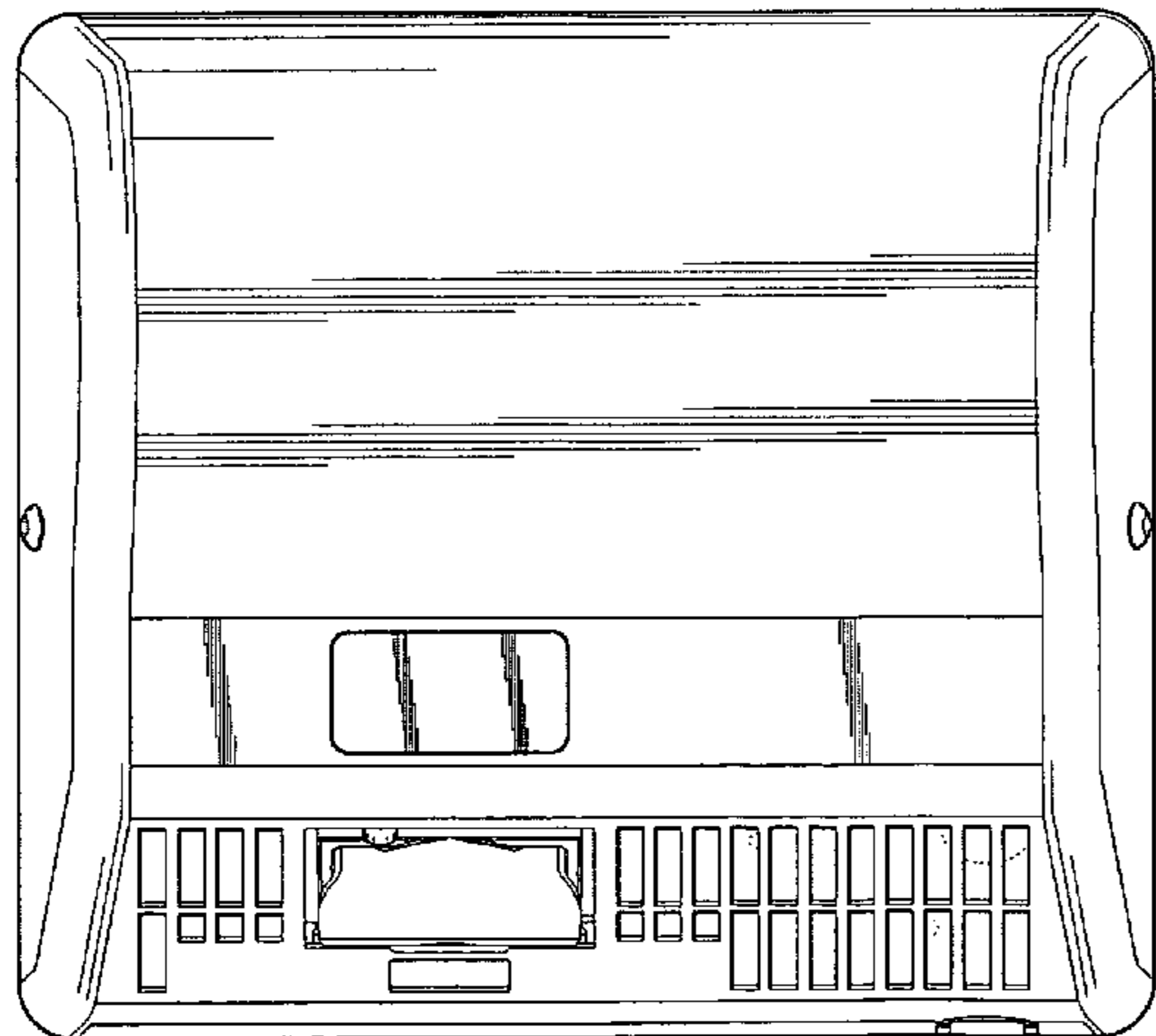
(57) **CLAIM**

The ornamental design for a hand dryer, as shown and described.

**DESCRIPTION**

FIG. 1 is a perspective view of the hand dryer design of the present invention;  
FIG. 2 is a front view thereof;  
FIG. 3 is a top view thereof;  
FIG. 4 is a side view thereof, the other side is identical;  
FIG. 5 is a bottom view thereof; and,  
FIG. 6 is a rear view thereof.

**1 Claim, 3 Drawing Sheets**



# US D600,856 S

Page 2

## U.S. PATENT DOCUMENTS

5,282,364 A 2/1994 Cech ..... 62/3.2  
5,331,747 A 7/1994 Stanton ..... 34/405  
5,394,620 A 3/1995 Chimera ..... 34/97  
5,458,458 A 10/1995 Tada et al. .... 415/150  
5,459,944 A 10/1995 Tatsutani et al. .... 34/202  
5,507,103 A 4/1996 Merritt ..... 34/97  
5,526,578 A 6/1996 Iyer ..... 34/97  
5,555,637 A 9/1996 Montagnino ..... 34/97  
5,599,229 A 2/1997 Claunch et al. .... 454/121  
5,668,921 A 9/1997 Essler ..... 392/379  
5,841,943 A 11/1998 Nosenchuck ..... 392/385  
D415,857 S \* 10/1999 Ayre ..... D28/54.1  
D420,764 S \* 2/2000 Conway et al. .... D28/54.1  
6,038,786 A 3/2000 Aisenberg et al. .... 34/267  
D428,204 S \* 7/2000 Elliott ..... D28/54.1  
6,094,837 A 8/2000 Cantor ..... 34/97  
D432,266 S \* 10/2000 Lefebvre ..... D28/54.1

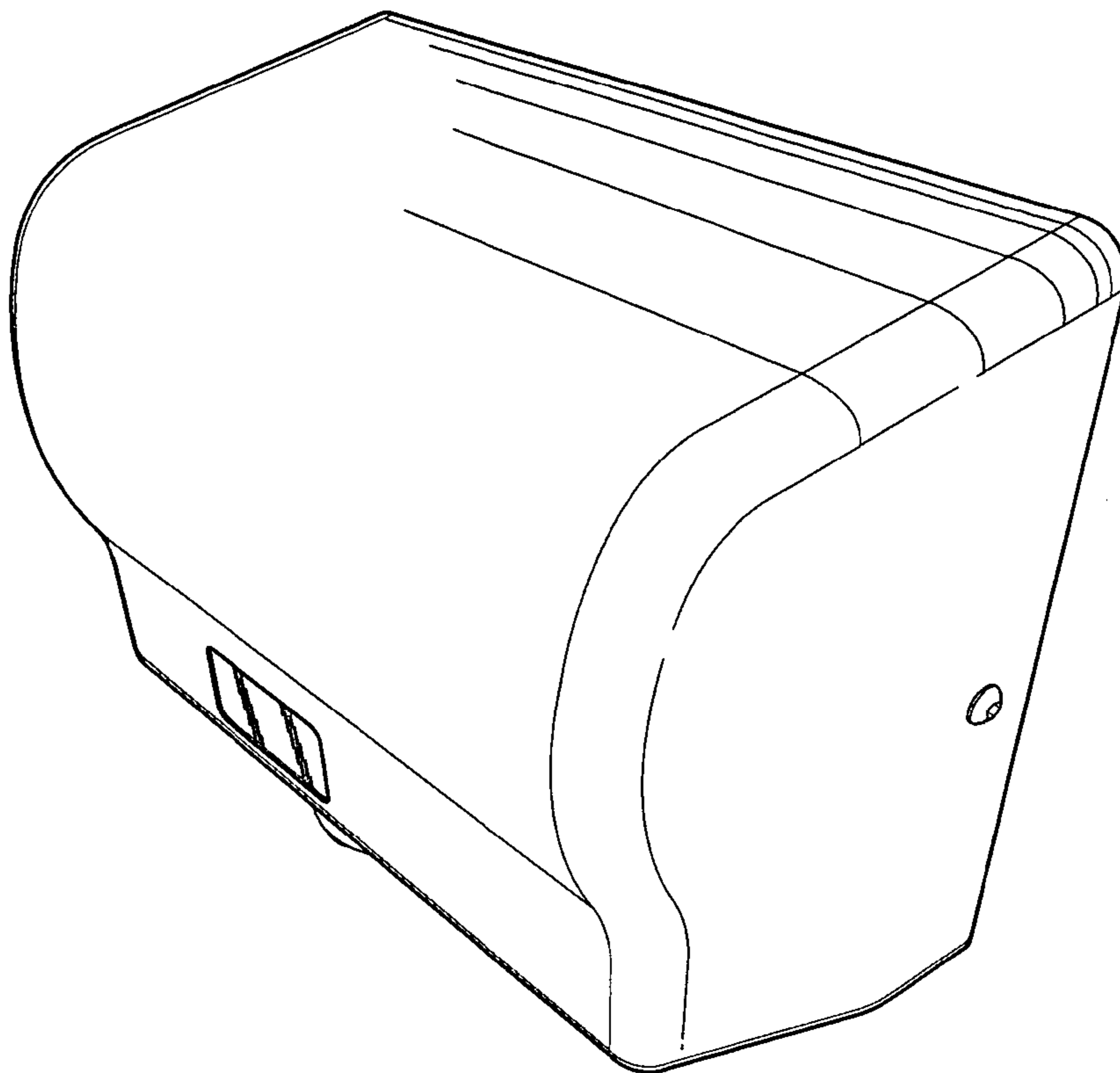
D441,139 S \* 4/2001 Hansen ..... D28/54.1  
D481,826 S \* 11/2003 Martinuzzo et al. .... D28/54.1  
7,039,301 B1 5/2006 Aisenberg et al. .... 392/380  
D542,976 S \* 5/2007 Liao et al. .... D28/54.1  
D543,661 S \* 5/2007 Liao et al. .... D28/54.1

## FOREIGN PATENT DOCUMENTS

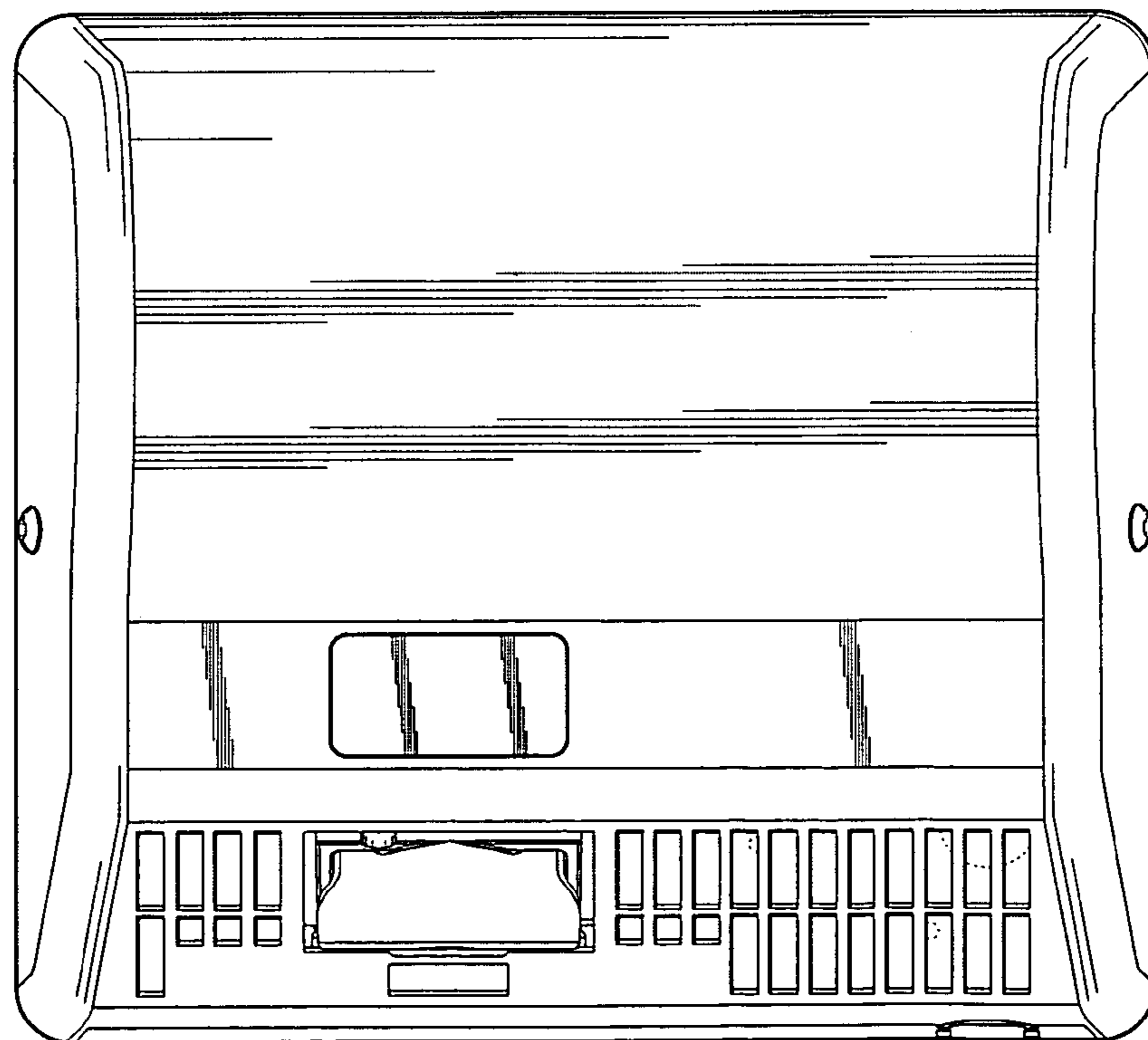
DE 1 076 222 2/1960  
EP 0 170 974 A2 2/1986  
EP 0 400 381 A2 12/1990  
GB 2 270 838 A 3/1994  
JP 4-367609 12/1992  
JP 5-91755 4/1993  
JP 5-130915 5/1993  
JP 2000-175839 6/2000  
WO WO 83/02753 8/1983

\* cited by examiner

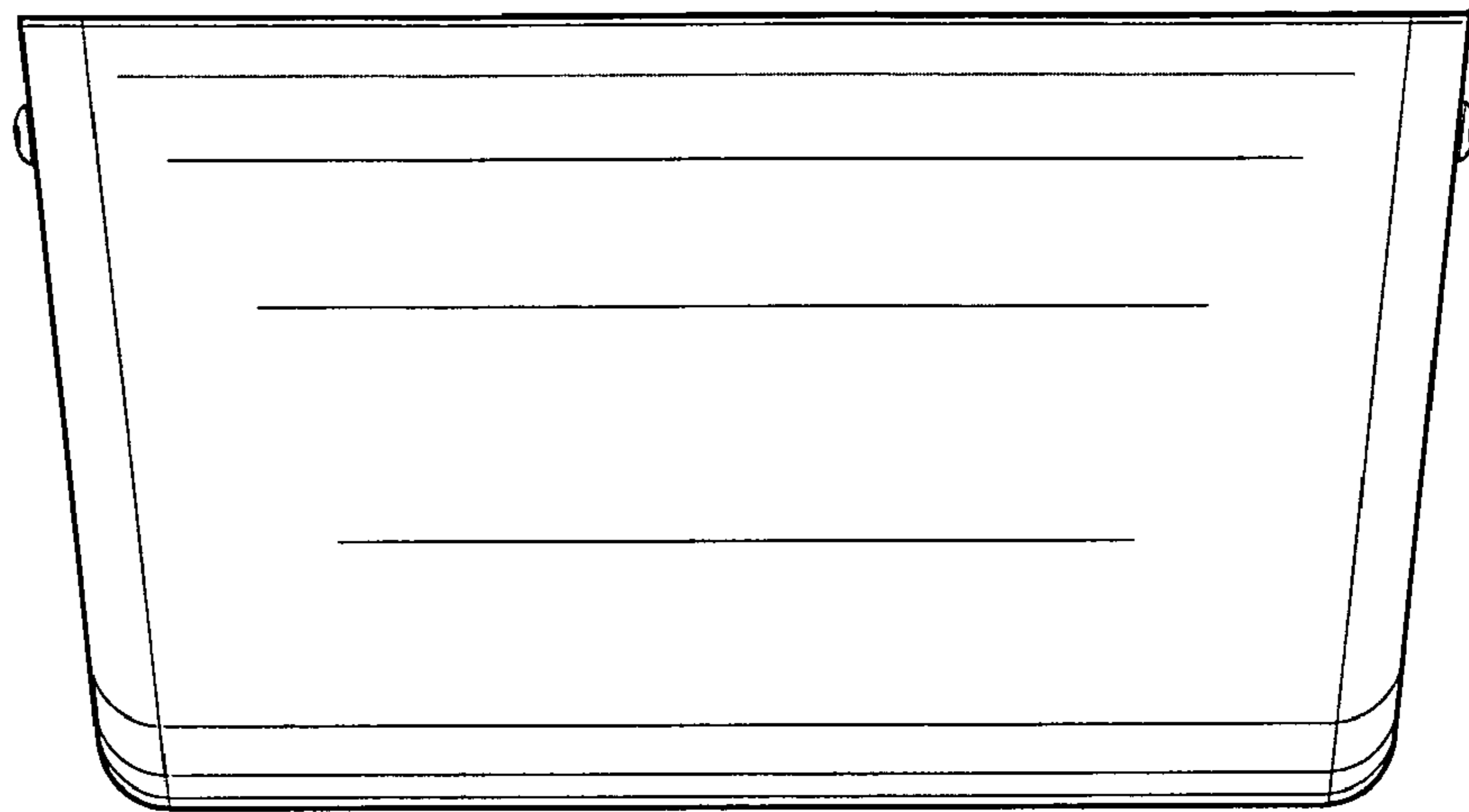
**FIG - 1**



**FIG - 2**



**FIG - 3**



**FIG - 4**

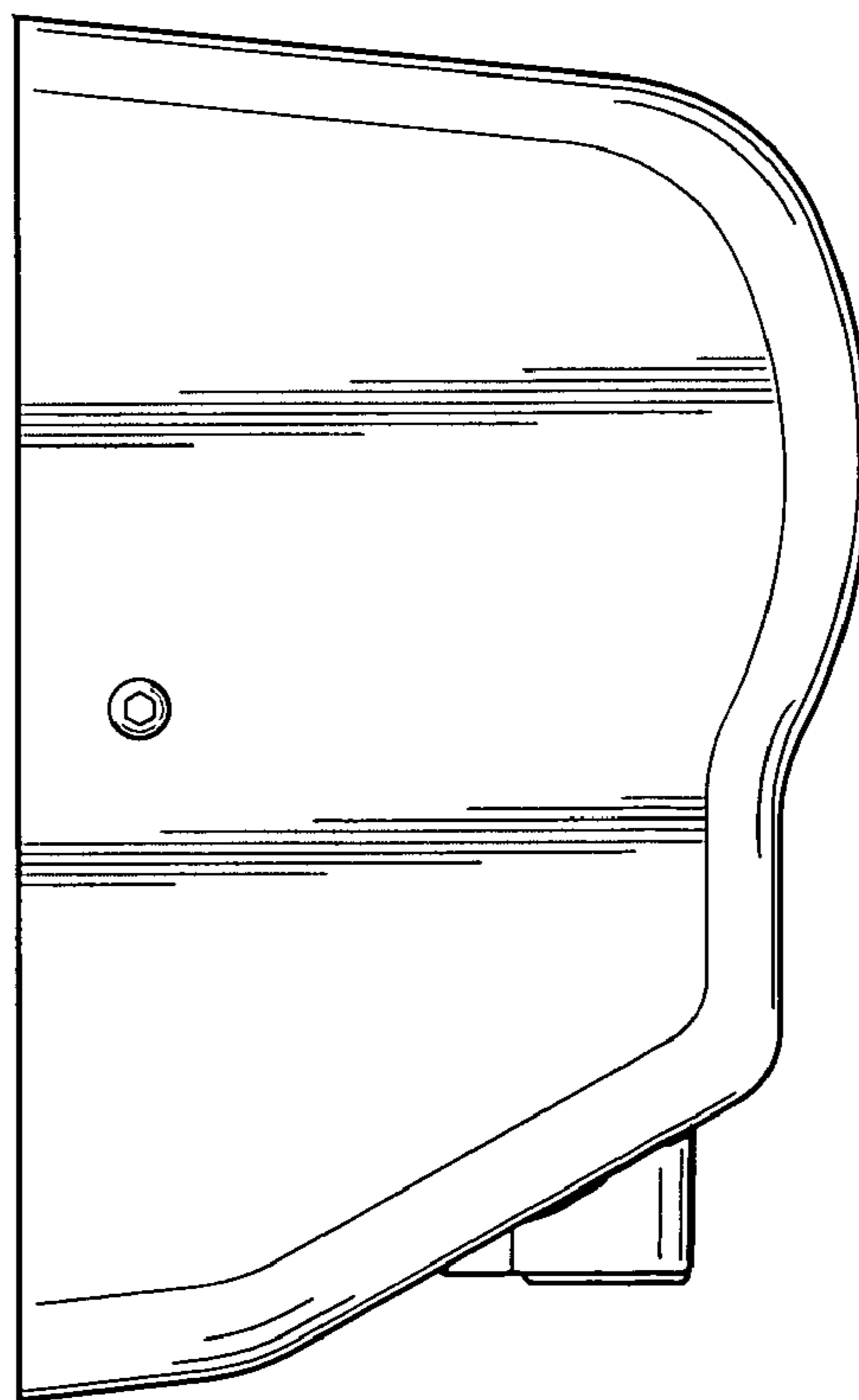




FIG - 5

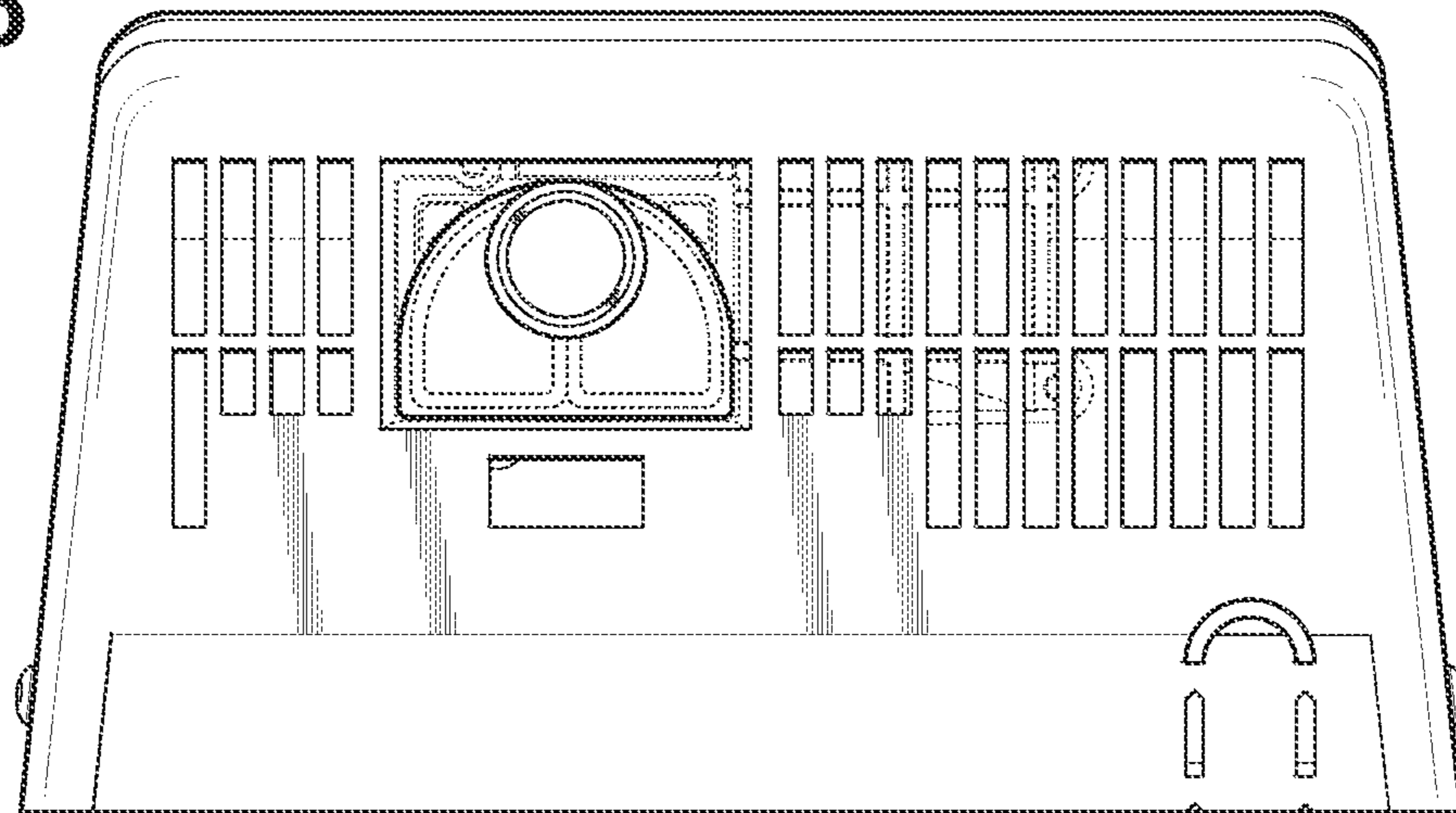


FIG - 6

