



US00D600850S

(12) **United States Design Patent**
Maxik et al.

(10) **Patent No.:** **US D600,850 S**

(45) **Date of Patent:** **** Sep. 22, 2009**

(54) **PENDANT LIGHT**

(75) Inventors: **Fredric S. Maxik**, Indialantic, FL (US);
Addy S. Widjaja, Palm Bay, FL (US);
Wei Sun, Melbourne, FL (US); **David Henderson**, Granville, OH (US)

(73) Assignee: **Lighting Science Group Corporation**,
Westampton, NJ (US)

(**) Term: **14 Years**

(21) Appl. No.: **29/337,086**

(22) Filed: **May 14, 2009**

Related U.S. Application Data

(63) Continuation of application No. 29/321,631, filed on
Jul. 21, 2008, now Pat. No. Des. 595,893.

(51) **LOC (9) Cl.** **26-99**

(52) **U.S. Cl.** **D26/113**

(58) **Field of Classification Search** D26/2,
D26/77, 113, 128, 118, 81, 144, 138, 155,
D26/121, 24, 37, 40, 42, 46, 49, 56, 60, 67,
D26/71, 72, 74, 75, 76, 78, 80, 83, 85, 119,
D26/120, 122, 140, 142, 143, 145, 150, 153,
D26/154; D6/300, 301, 314, 313, 312, 310;
362/354, 342, 291, 290, 615, 632, 633, 147,
362/219, 223, 217.1, 217.15, 217.11, 364,
362/367, 370, 416

See application file for complete search history.

(56) **References Cited**

U.S. PATENT DOCUMENTS

6,715,900 B2 * 4/2004 Zhang 362/294

6,880,956 B2 * 4/2005 Zhang 362/264
7,168,821 B2 * 1/2007 Huang 362/103
D538,951 S * 3/2007 Maxik et al. D26/2
D542,425 S * 5/2007 Wang D26/2
D546,980 S * 7/2007 Lo D26/2
D560,286 S * 1/2008 Maxik et al. D26/2
D570,504 S * 6/2008 Maxik et al. D26/2
2005/0174780 A1 * 8/2005 Park 362/294

* cited by examiner

Primary Examiner—Cathron C Brooks

Assistant Examiner—Kevin K Rudzinski

(74) *Attorney, Agent, or Firm*—Cantor Colburn LLP

(57) **CLAIM**

We claim, the ornamental design for a pendant light, as shown
and described.

DESCRIPTION

FIG. 1 is a perspective view of a pendant light depicting our
design;

FIG. 2 is a side elevation view thereof, wherein the pendant
light is rotationally symmetrical about its main axis;

FIG. 3 is a top plan view thereof;

FIG. 4 is a bottom plan view thereof; and,

FIG. 5 is a perspective view thereof; shown with unclaimed
subject matter removed for clarity of illustration.

The phantom lines shown in FIG. 1–FIG. 5 are environmental
and not part of the claimed design.

References to “side”, “top”, “front” and “rear” in the figure
descriptions are not meant to require certain in-use orienta-
tion, a pendant light according to the claimed design may be
used in any orientation.

1 Claim, 3 Drawing Sheets

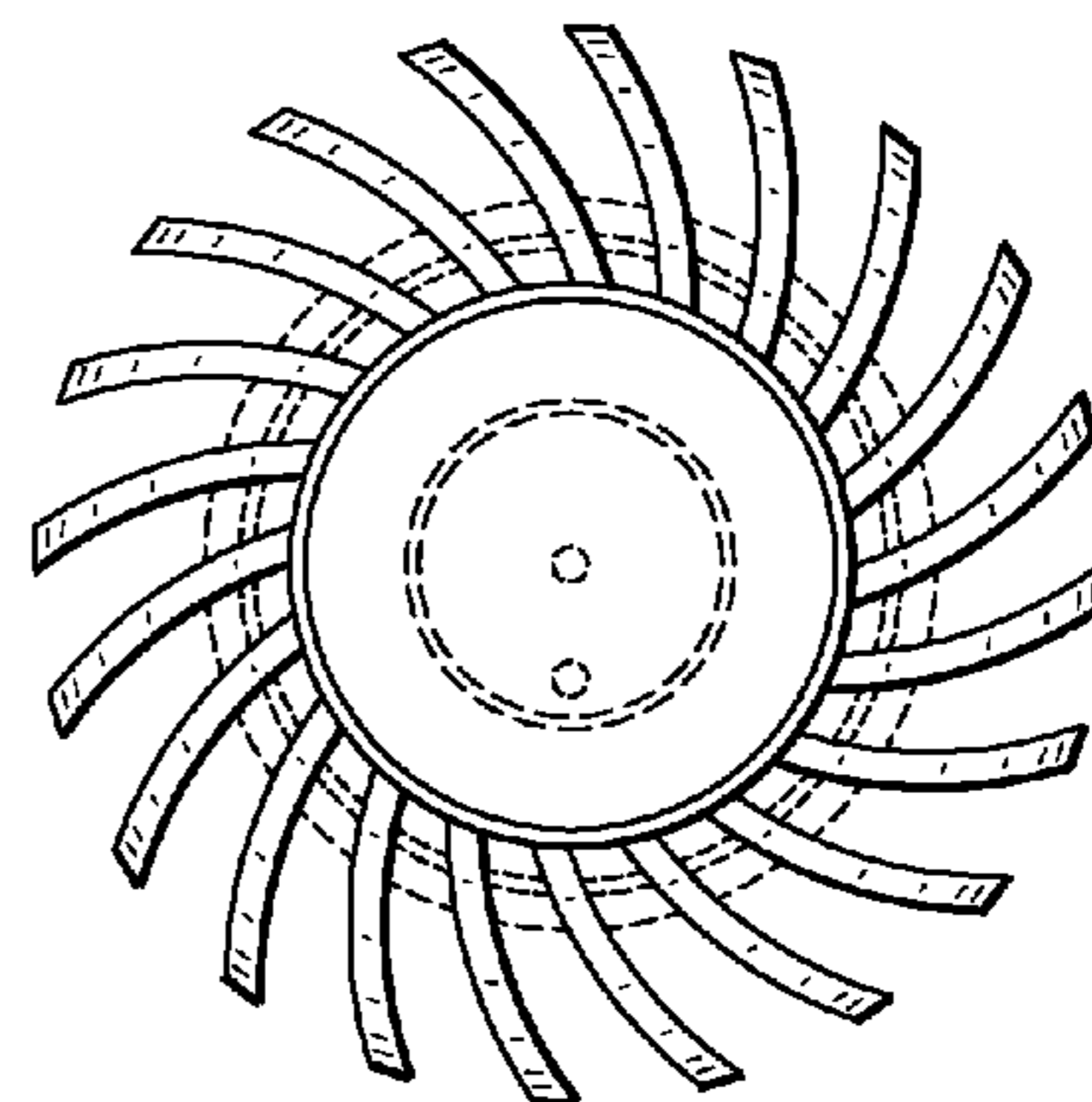
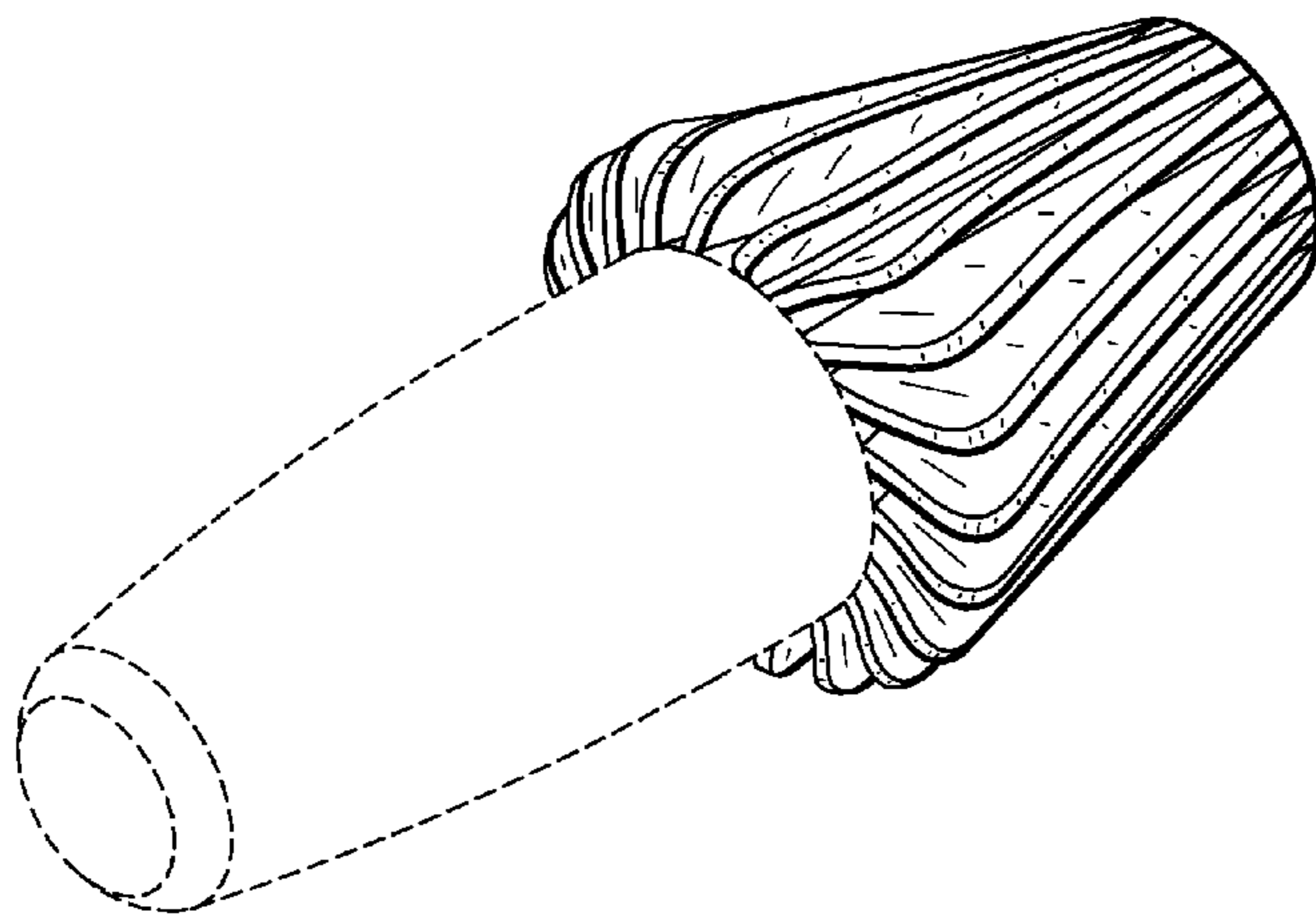


FIG. 1

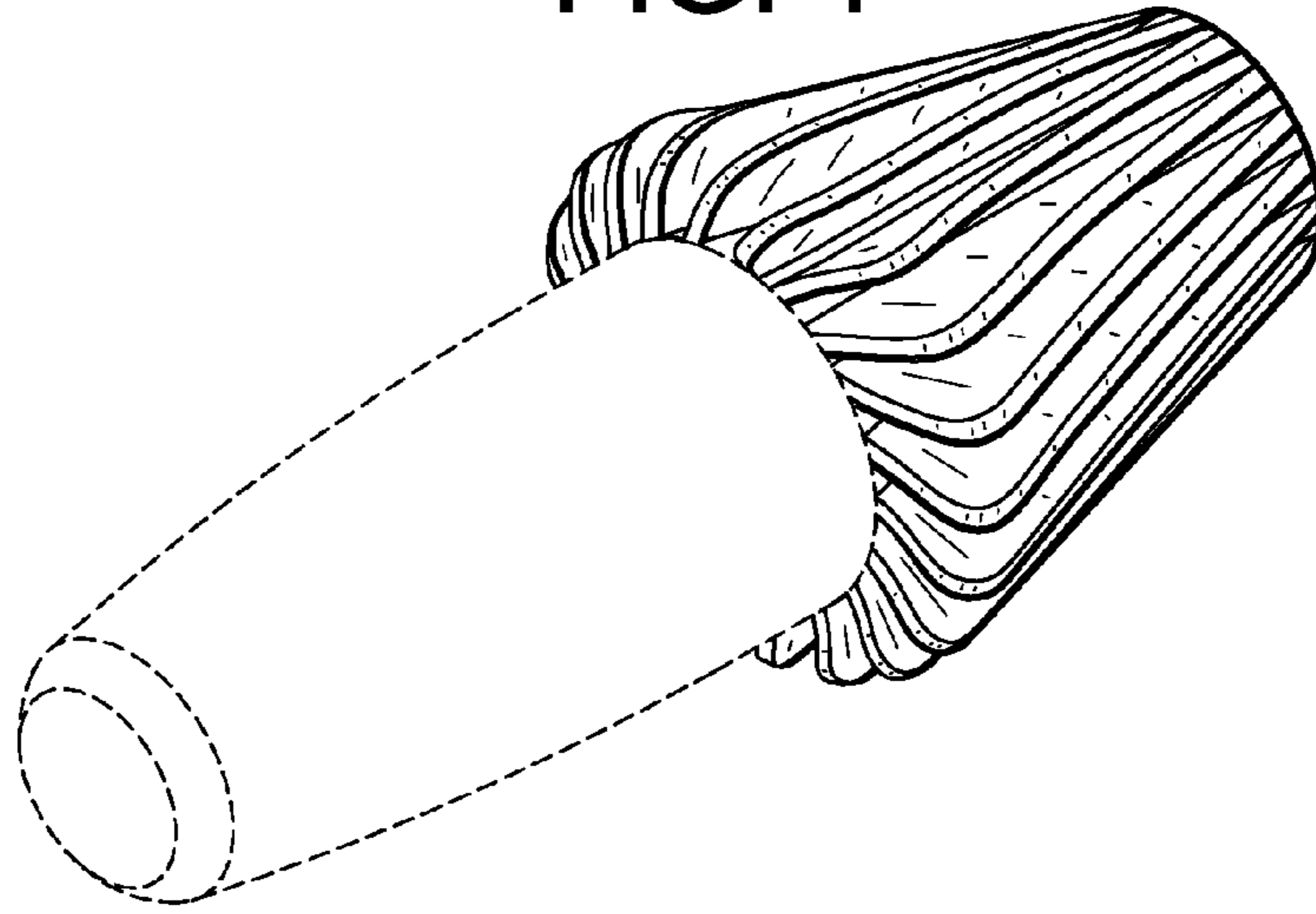


FIG. 2

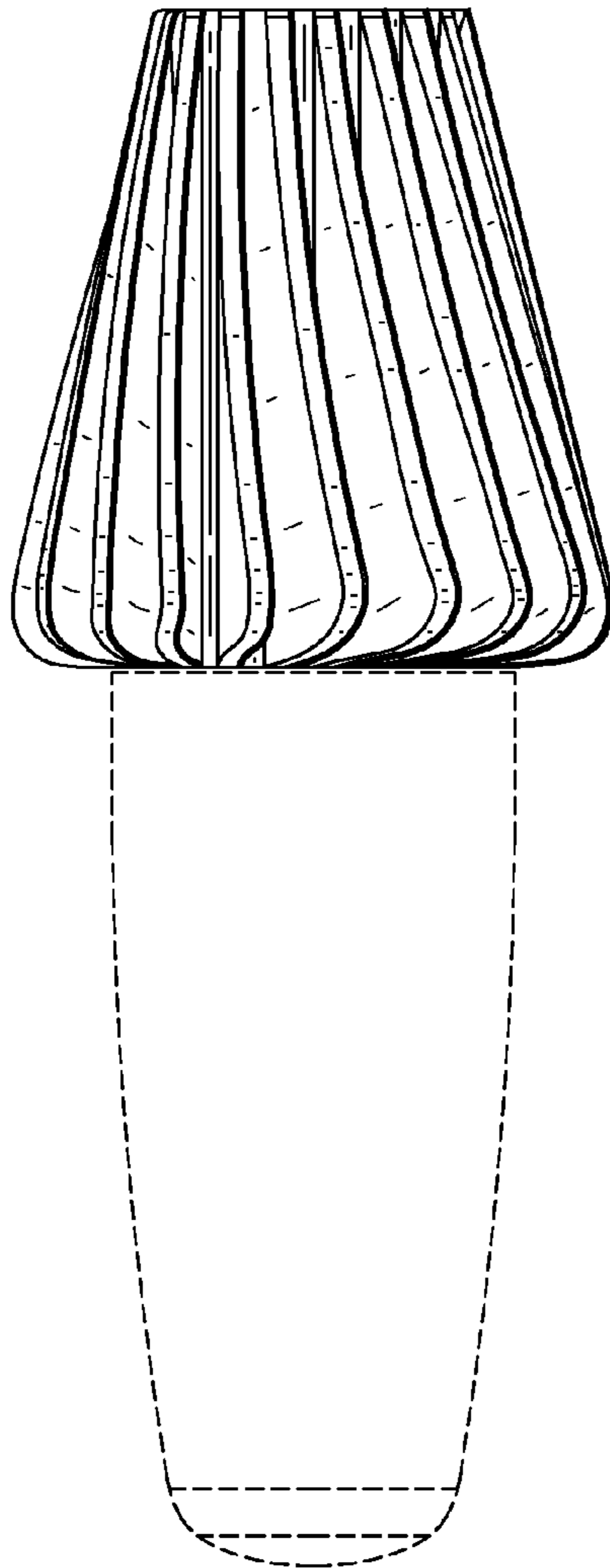


FIG. 3

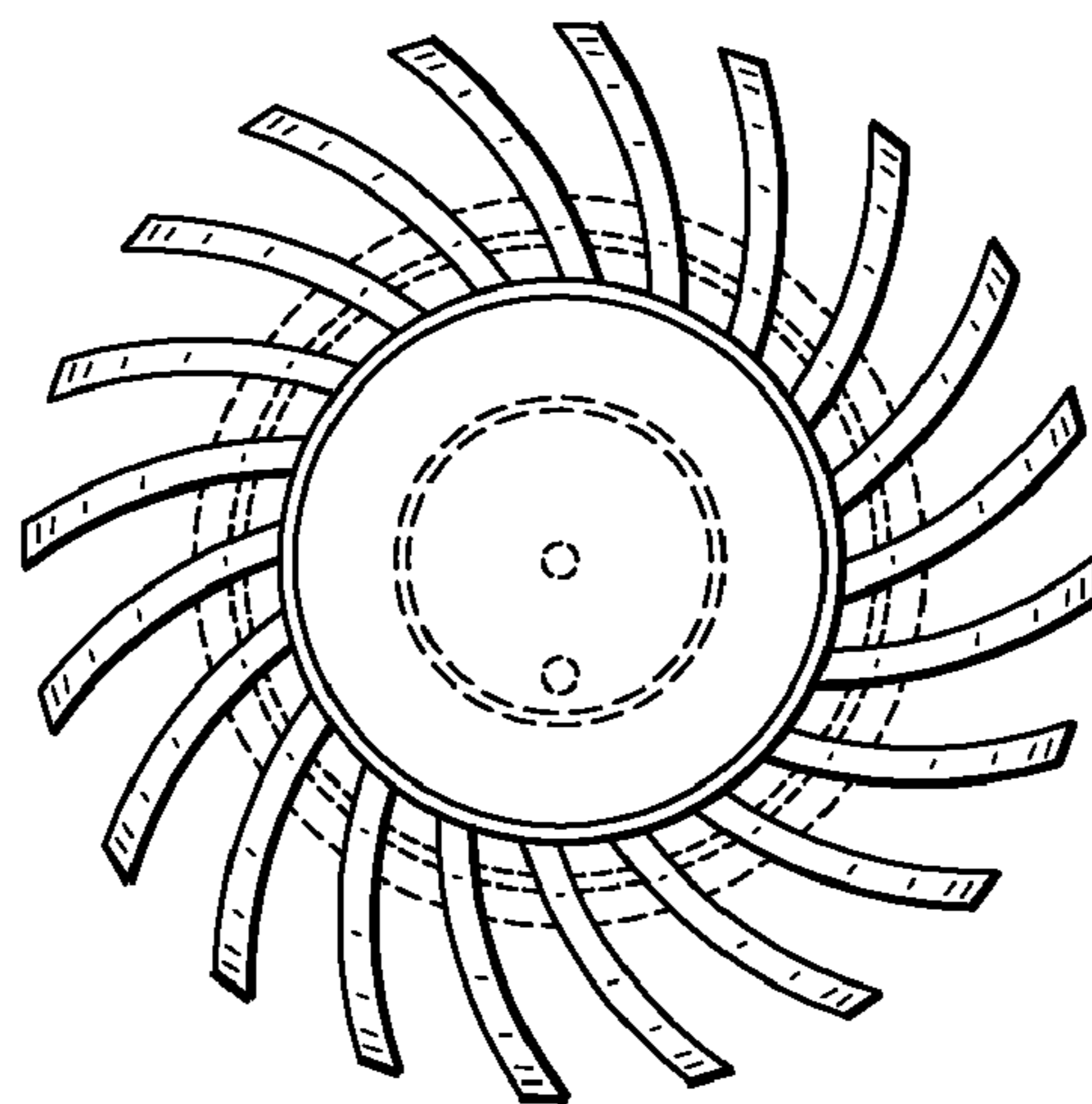


FIG. 4

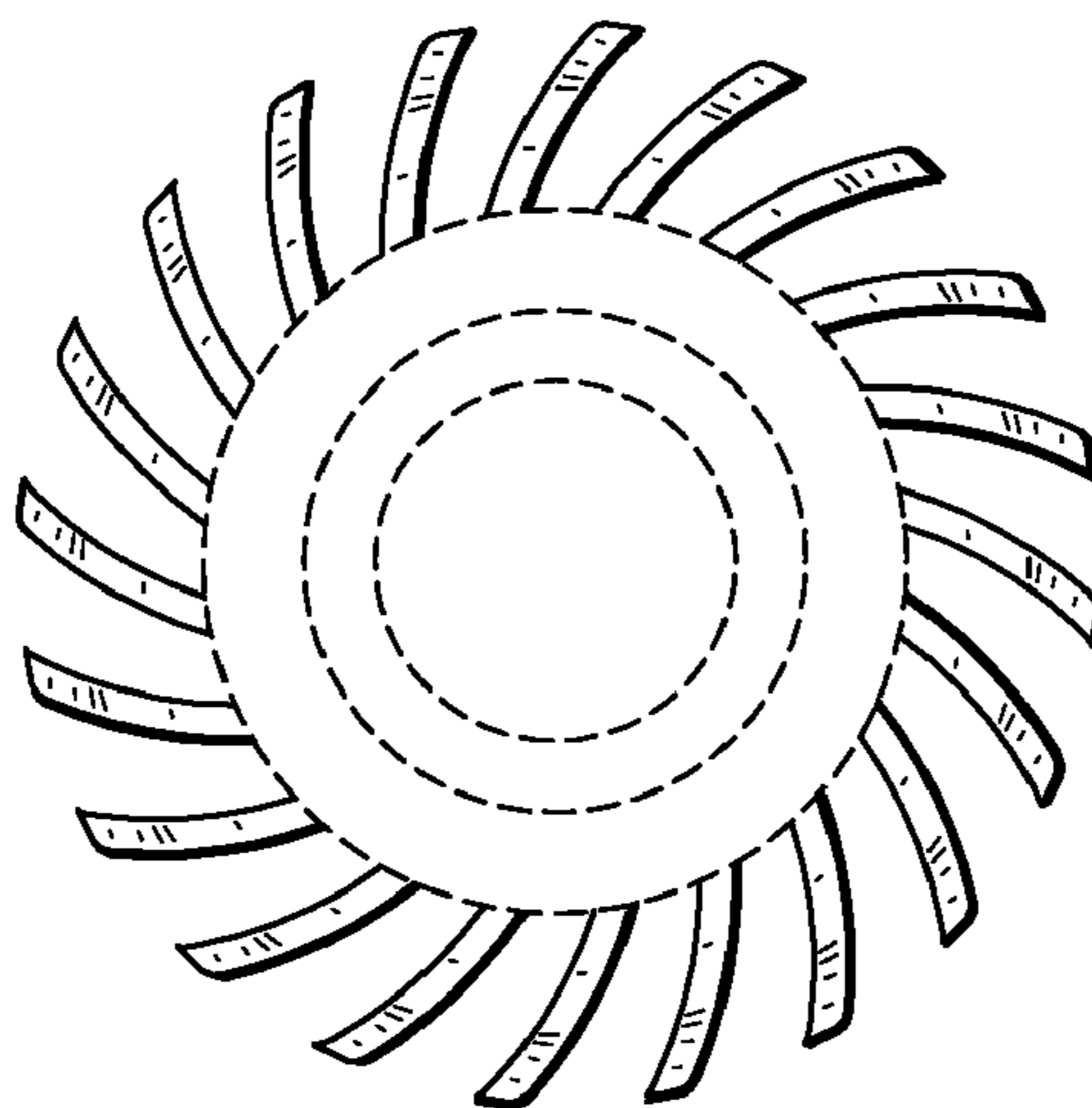


FIG. 5

