



US00D600847S

(12) **United States Design Patent**  
**Wung et al.**

(10) **Patent No.:** **US D600,847 S**

(45) **Date of Patent:** **\*\* Sep. 22, 2009**

(54) **LED LAMP**

(75) Inventors: **Shih-Hsun Wung**, Taipei Hsien (TW);  
**Yong-Dong Chen**, Shenzhen (CN);  
**Hai-Ming Fang**, Shenzhen (CN)

(73) Assignee: **Foxconn Technology Co., Ltd.**,  
Tu-Cheng, Taipei Hsien (TW)

(\*\*) Term: **14 Years**

(21) Appl. No.: **29/322,367**

(22) Filed: **Aug. 4, 2008**

(51) **LOC (9) Cl.** ..... **26-05**

(52) **U.S. Cl.** ..... **D26/71**

(58) **Field of Classification Search** ..... D26/67-72,  
D26/85, 92; 362/145, 152, 183, 294, 373,  
362/414, 431, 545, 800

See application file for complete search history.

(56) **References Cited**

**U.S. PATENT DOCUMENTS**

D99,661 S *	5/1936	Gosling	.....	D26/68
D201,765 S *	7/1965	Mox	.....	D26/71
D228,361 S *	9/1973	Burns et al.	.....	D26/71
D239,860 S *	5/1976	Scarpa	.....	D26/68
D299,555 S *	1/1989	Muller	.....	D26/69
D306,909 S *	3/1990	Kelley et al.	.....	D26/24

D418,619 S *	1/2000	Porter	.....	D26/68
D580,582 S *	11/2008	Fan	.....	D26/71
2005/0068765 A1 *	3/2005	Ertze Encinas et al.	.....	362/183
2008/0298051 A1 *	12/2008	Chu	.....	362/183

**OTHER PUBLICATIONS**

GEO Lightstack by Woodhouse. Found online at woodhouse.co.uk on Mar. 25, 2009.\*

\* cited by examiner

*Primary Examiner*—Clare E Heflin

(74) *Attorney, Agent, or Firm*—Frank R. Niranjana

(57) **CLAIM**

The ornamental design for an LED lamp, as shown.

**DESCRIPTION**

FIG. 1 is a perspective view of an LED lamp showing our new design;

FIG. 2 is a front elevational view thereof;

FIG. 3 is a rear elevational view thereof;

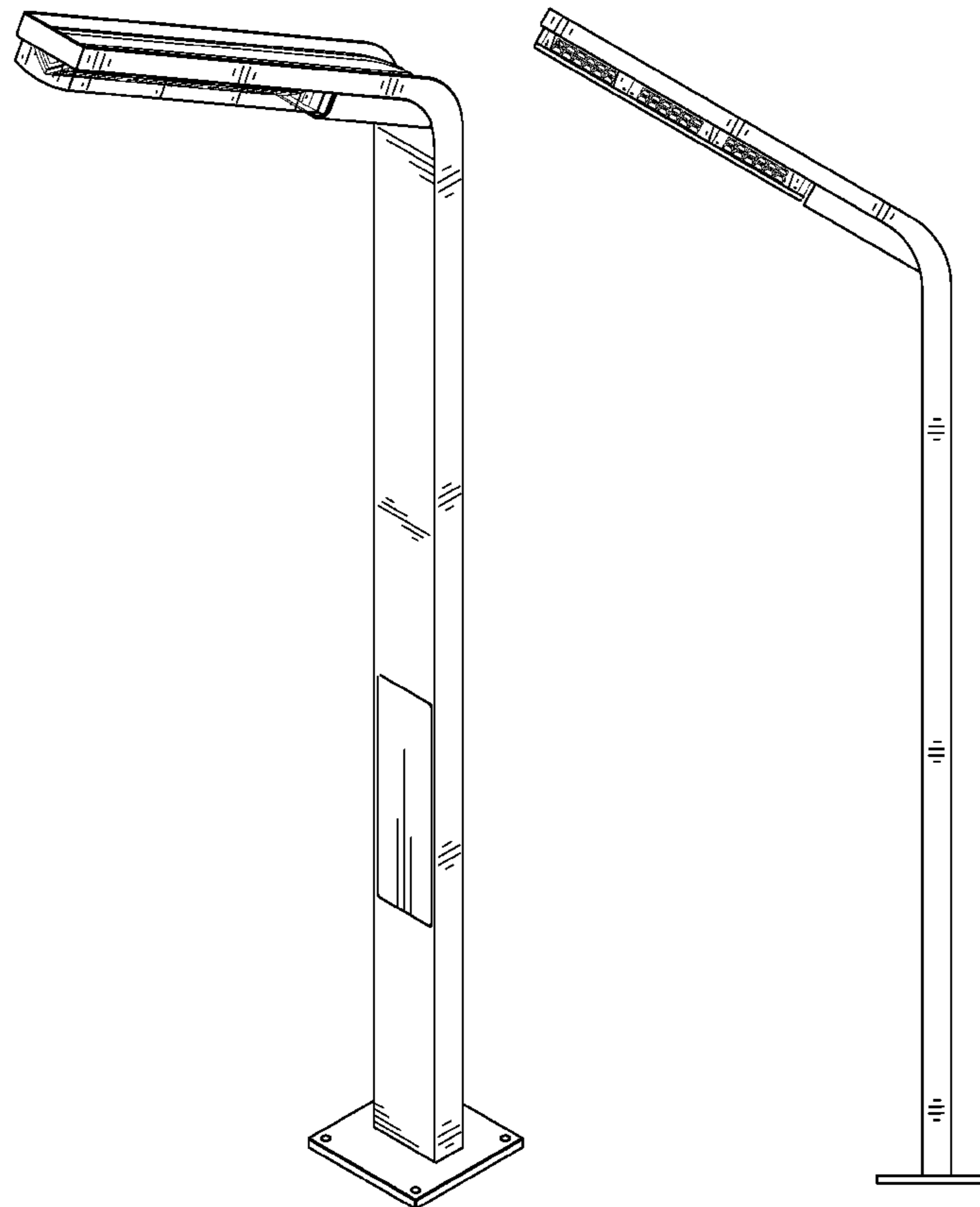
FIG. 4 is a left-side, elevational view thereof;

FIG. 5 is a right-side, elevational view thereof;

FIG. 6 is a top plan view thereof; and,

FIG. 7 is a bottom plan view thereof.

**1 Claim, 7 Drawing Sheets**



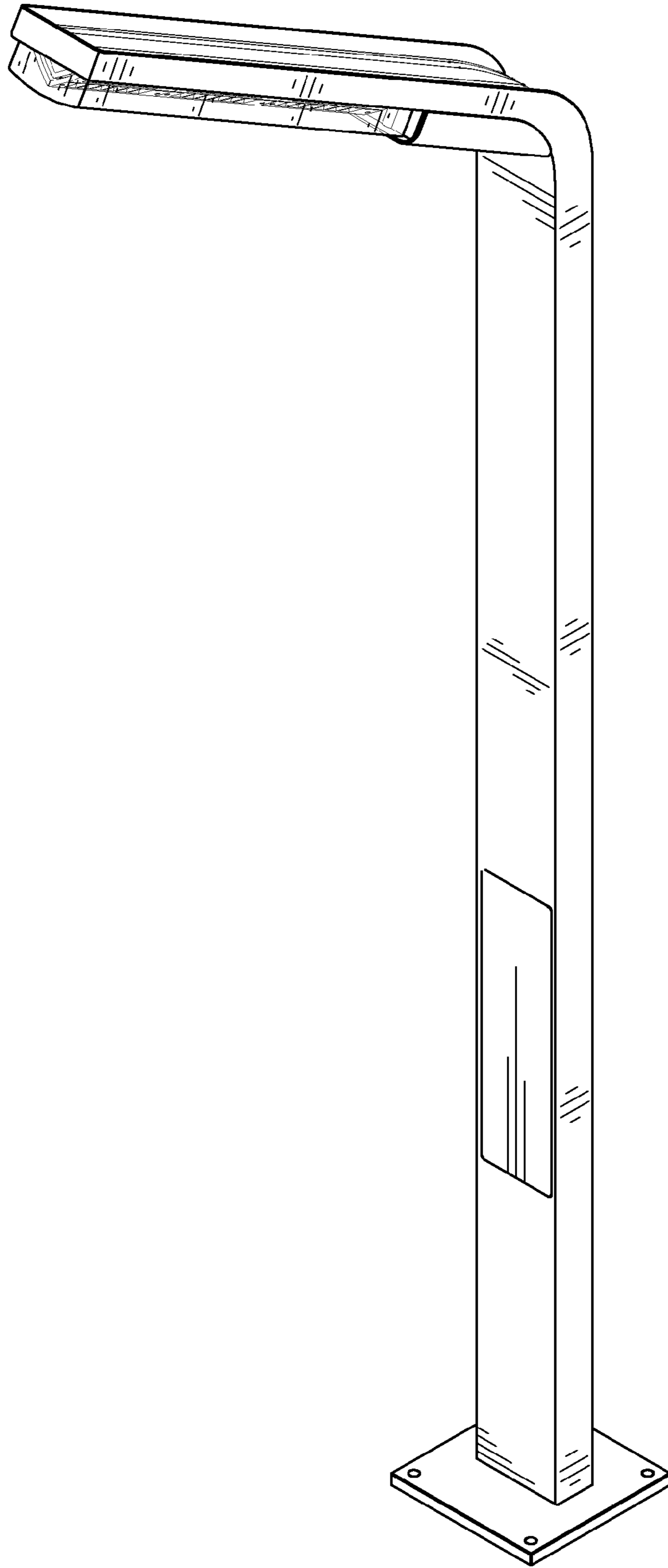


FIG. 1

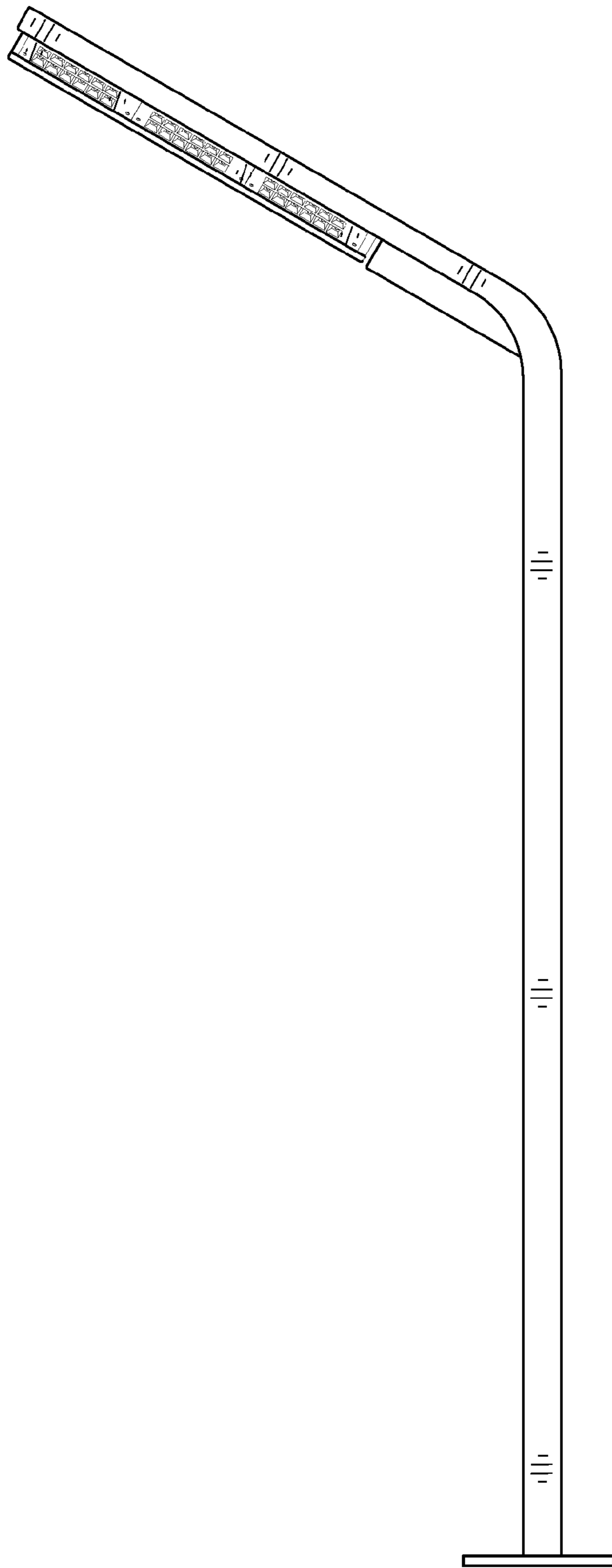


FIG. 2

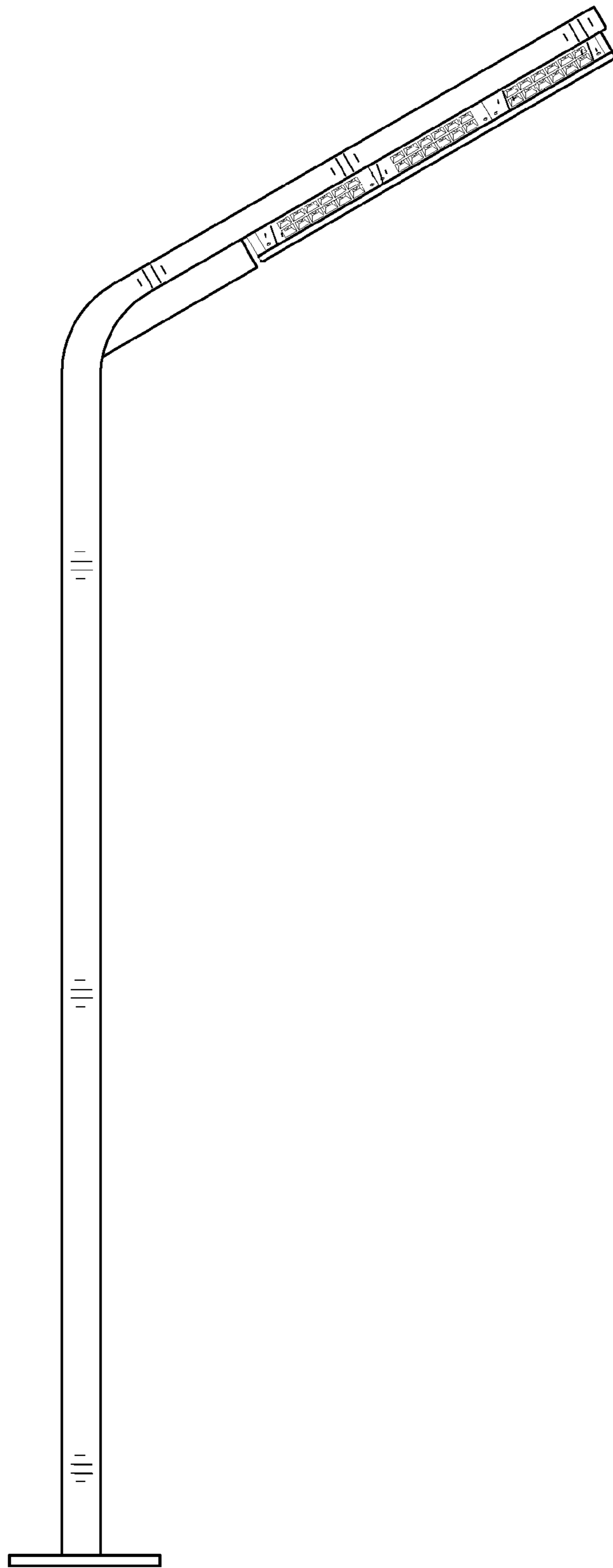


FIG. 3

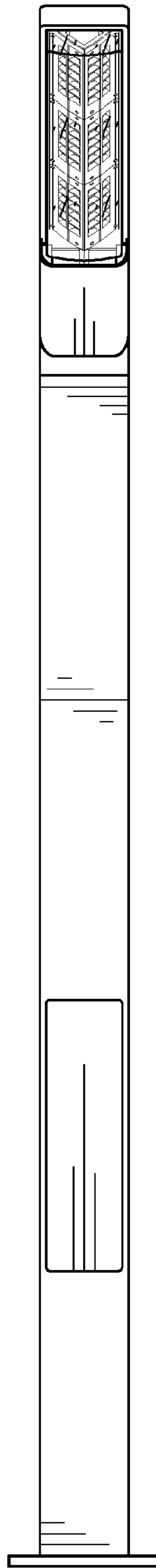


FIG. 4

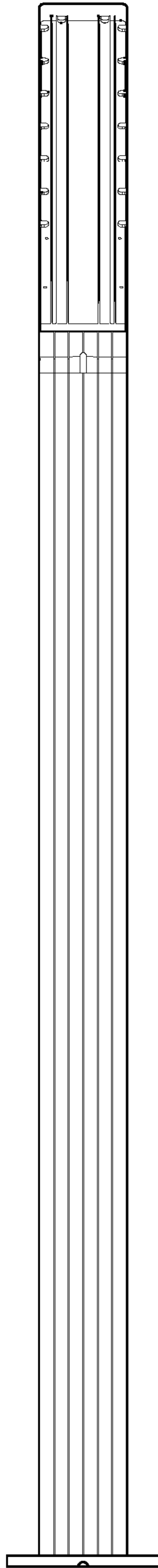


FIG. 5

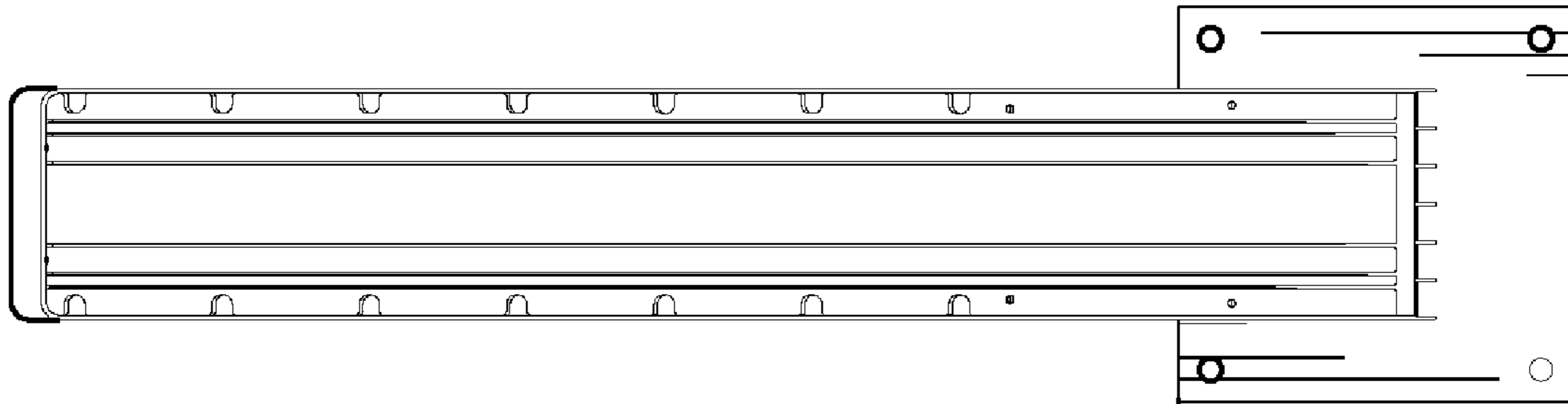


FIG. 6

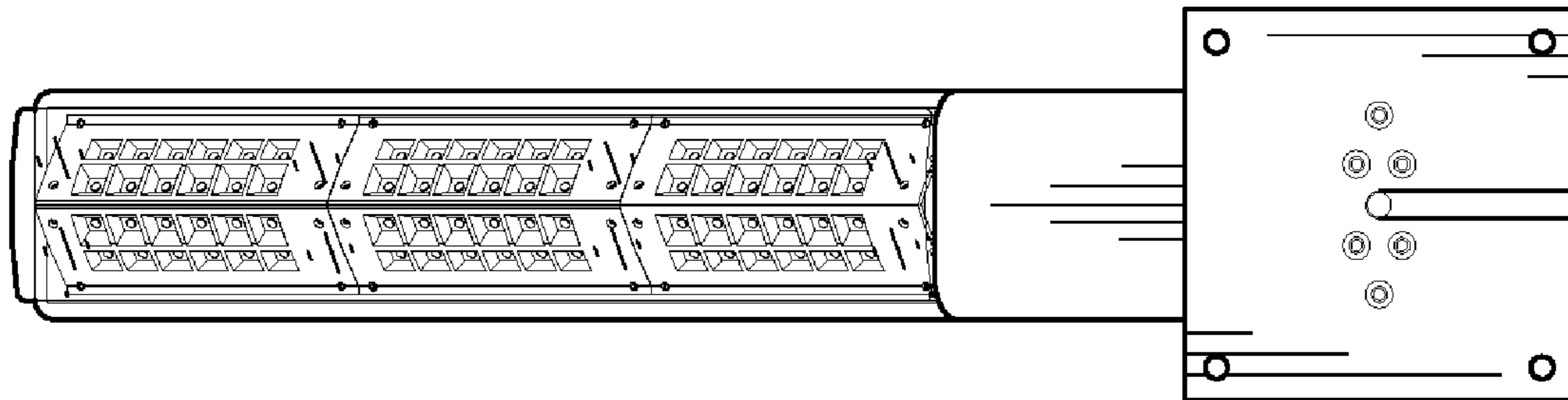


FIG. 7