



US00D600846S

(12) **United States Design Patent**
Hsu et al.

(10) **Patent No.:** **US D600,846 S**

(45) **Date of Patent:** **** Sep. 22, 2009**

(54) **LAMPSHADE OF A STREET LAMP**

(75) Inventors: **Hsi-Chuan Hsu**, Sinjhuang (TW);
Sheng-Jia Sheu, Banciao (TW)

(73) Assignee: **Everlight Electronics Co., Ltd.**, Taipei
(TW)

(**) Term: **14 Years**

(21) Appl. No.: **29/306,132**

(22) Filed: **Apr. 3, 2008**

(51) **LOC (9) Cl.** **26-05**

(52) **U.S. Cl.** **D26/71**

(58) **Field of Classification Search** D26/67-72,
D26/85, 92; 362/145, 152, 183, 294, 373,
362/414, 431, 545, 800

See application file for complete search history.

(56) **References Cited**

U.S. PATENT DOCUMENTS

D198,812 S *	8/1964	Pettengill	D26/71
D209,081 S *	10/1967	Netland	D26/71
D346,237 S *	4/1994	Schreder	D26/71
D356,876 S *	3/1995	Waldmann	D26/107
D389,262 S *	1/1998	Compton	D26/67
D391,659 S *	3/1998	Gaskins et al.	D26/71
D437,958 S *	2/2001	Doron et al.	D26/71
6,784,357 B1 *	8/2004	Wang	136/244
D570,521 S *	6/2008	Belleau	D26/85
D580,582 S *	11/2008	Fan	D26/71

2004/0196653 A1* 10/2004 Clark et al. 362/183
2006/0250803 A1* 11/2006 Chen 362/373

* cited by examiner

Primary Examiner—Clare E Heflin

(74) *Attorney, Agent, or Firm*—Jianq Chyun IP Office

(57) **CLAIM**

The ornamental design for a lampshade of a street lamp, as shown and described.

DESCRIPTION

FIG. 1 is a perspective view of a lampshade of a street lamp showing the new design;

FIG. 2 is a front view thereof;

FIG. 3 is a rear view thereof;

FIG. 4 is a right side view thereof, the left side view being a mirror image of the right side view;

FIG. 5 is a top view thereof;

FIG. 6 is a bottom view thereof;

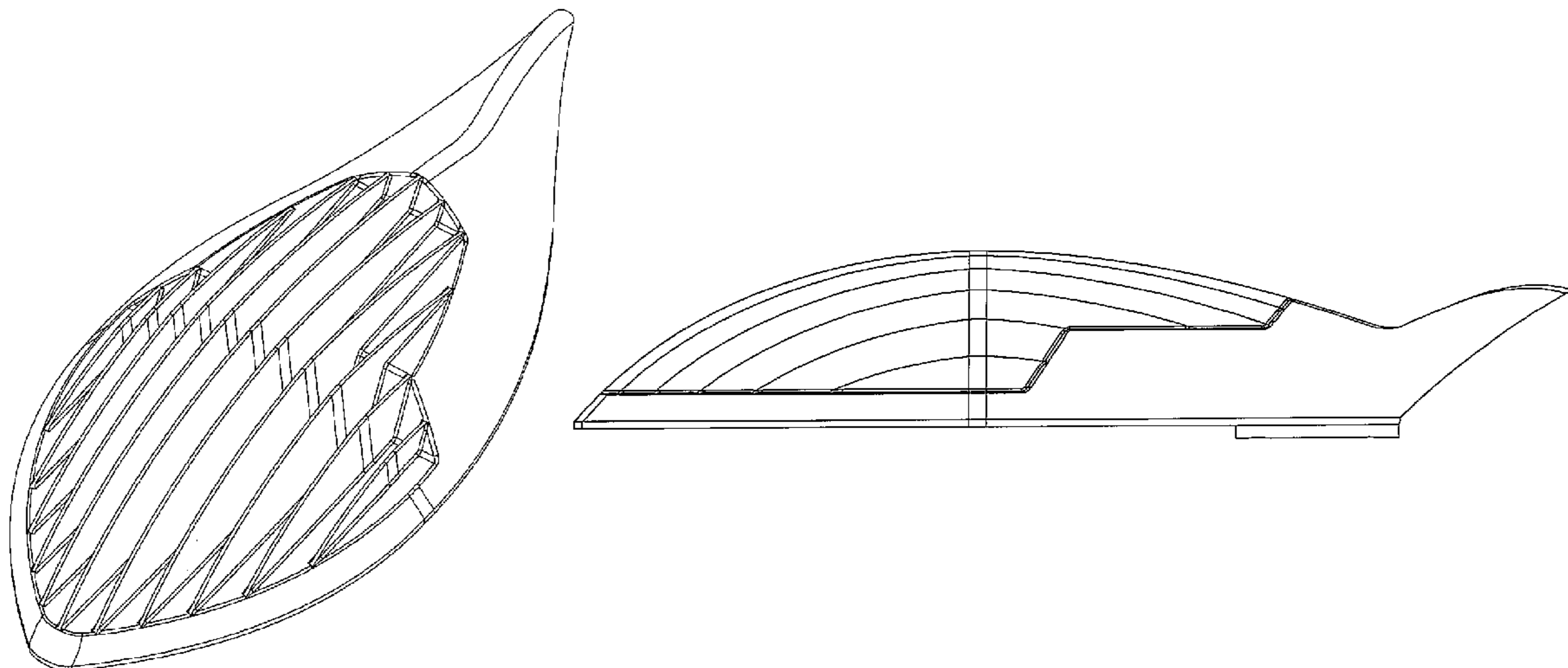
FIG. 7 is another perspective view thereof; and

FIG. 8 is a perspective reference view of the lampshade of a street lamp in use; and,

FIG. 9 is another perspective reference view of the lampshade of a street lamp in use.

The broken lines shown on the drawings depict environment only and form no part of the claimed design.

1 Claim, 8 Drawing Sheets



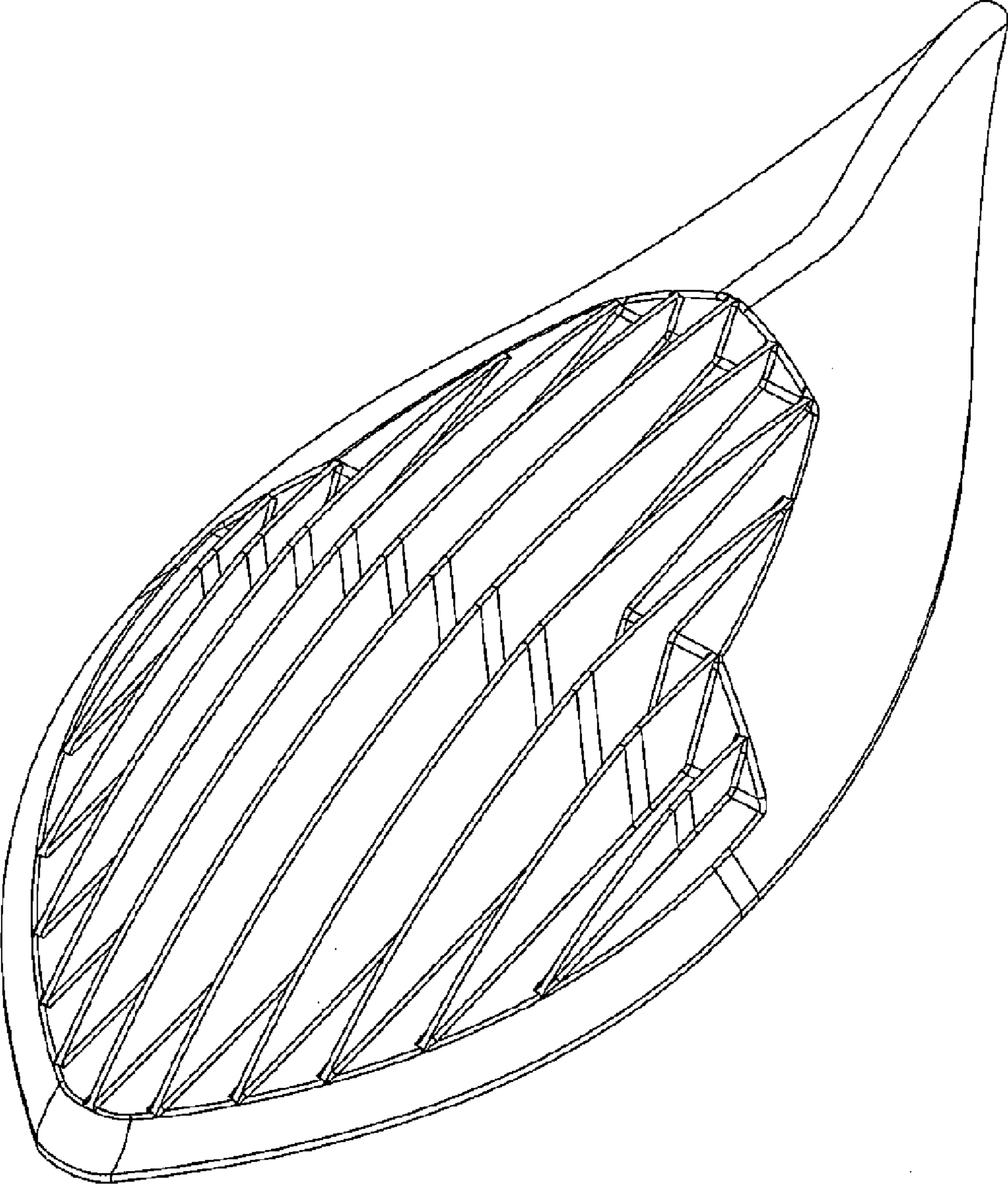


FIG. 1

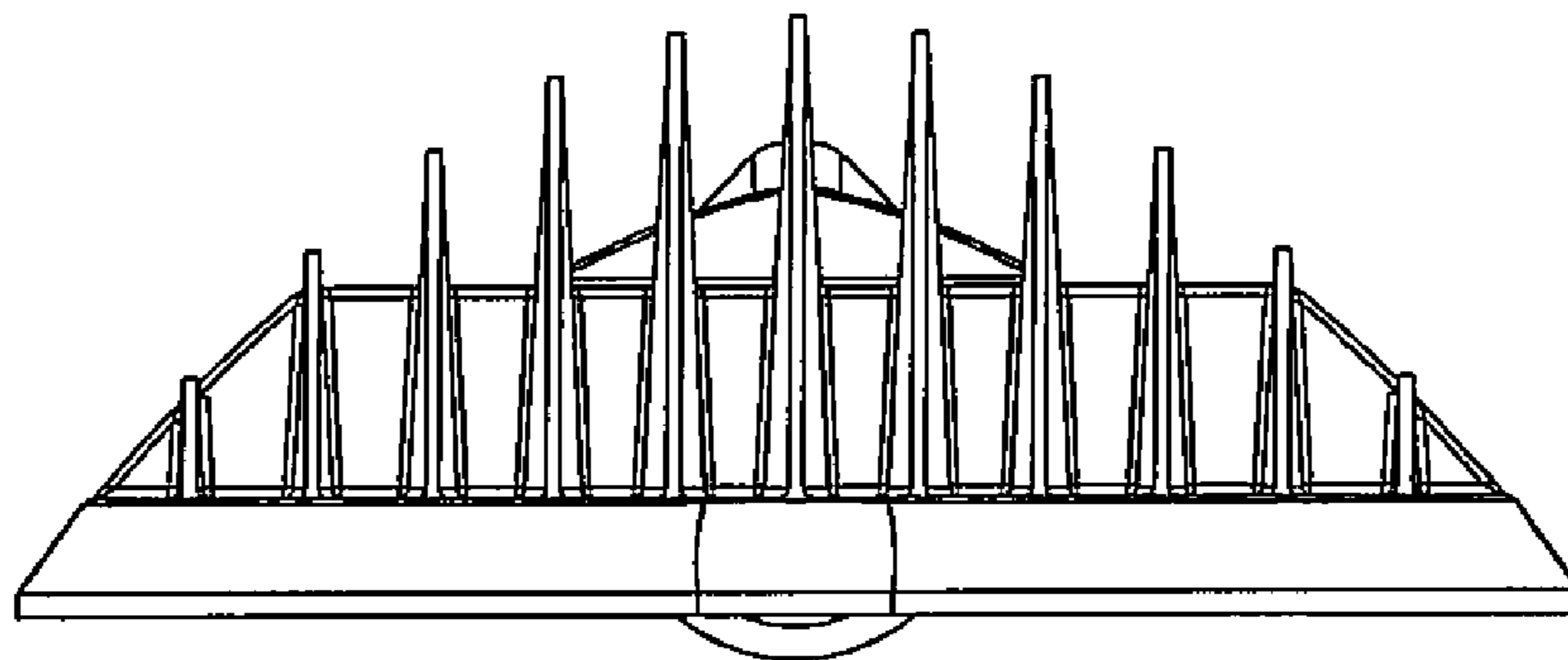


FIG. 2

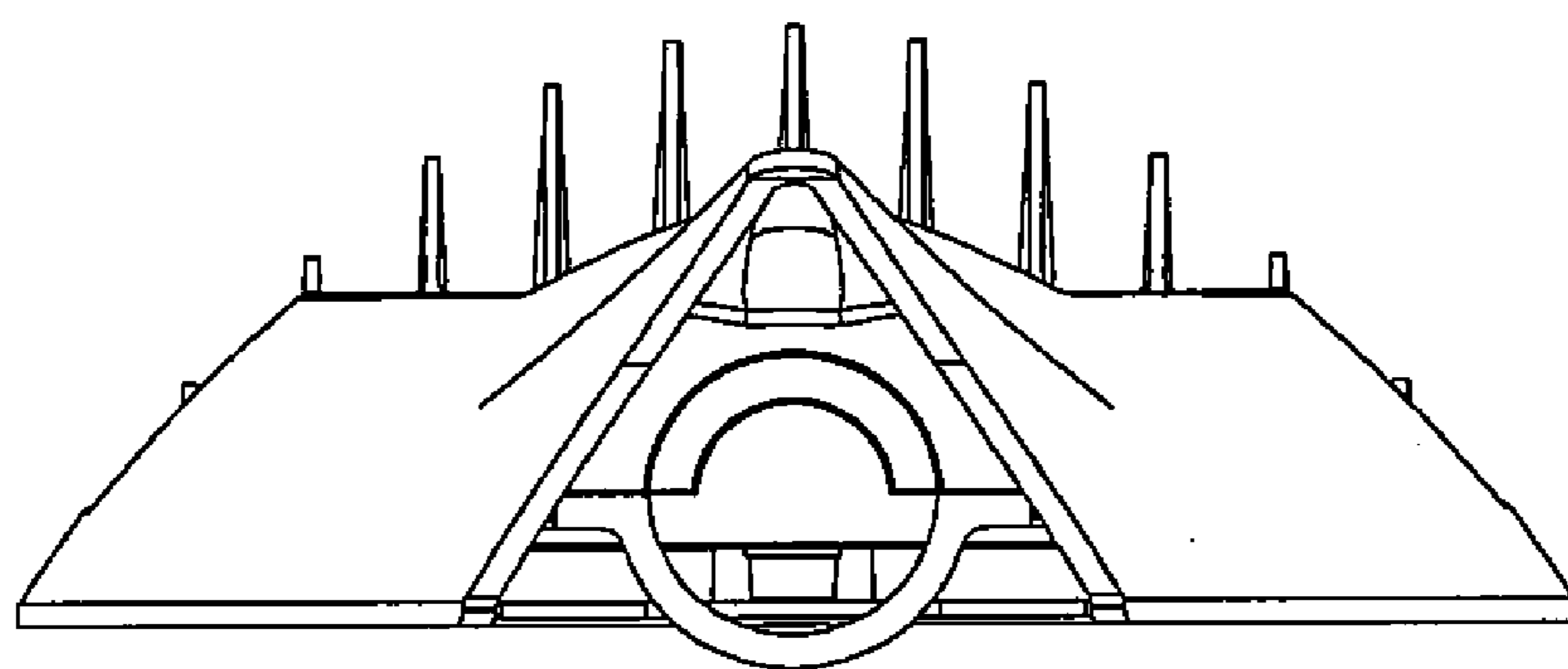


FIG. 3

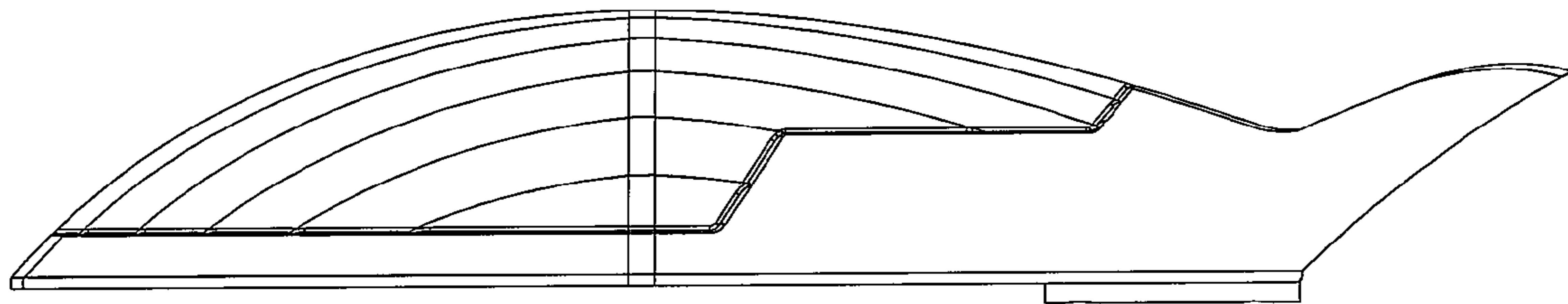


FIG. 4

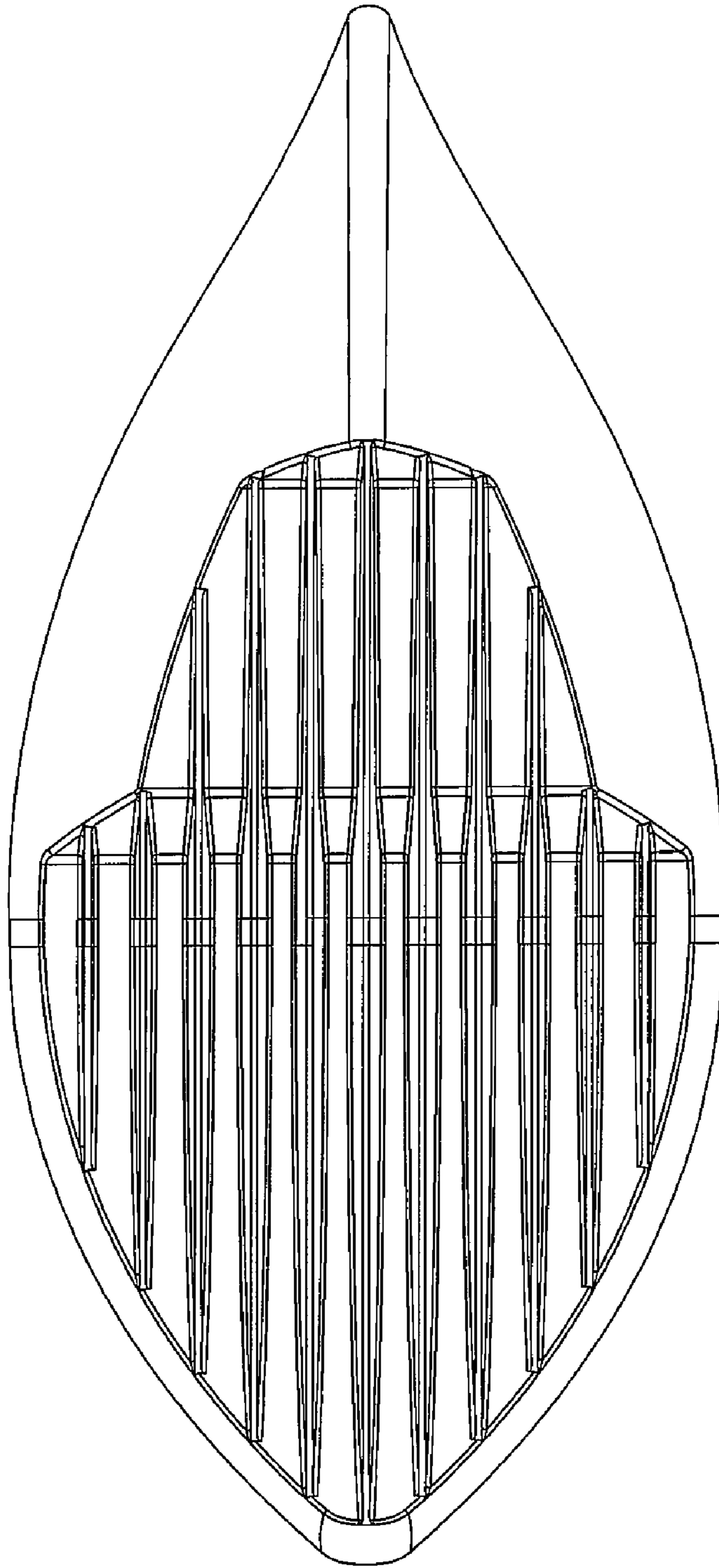


FIG. 5

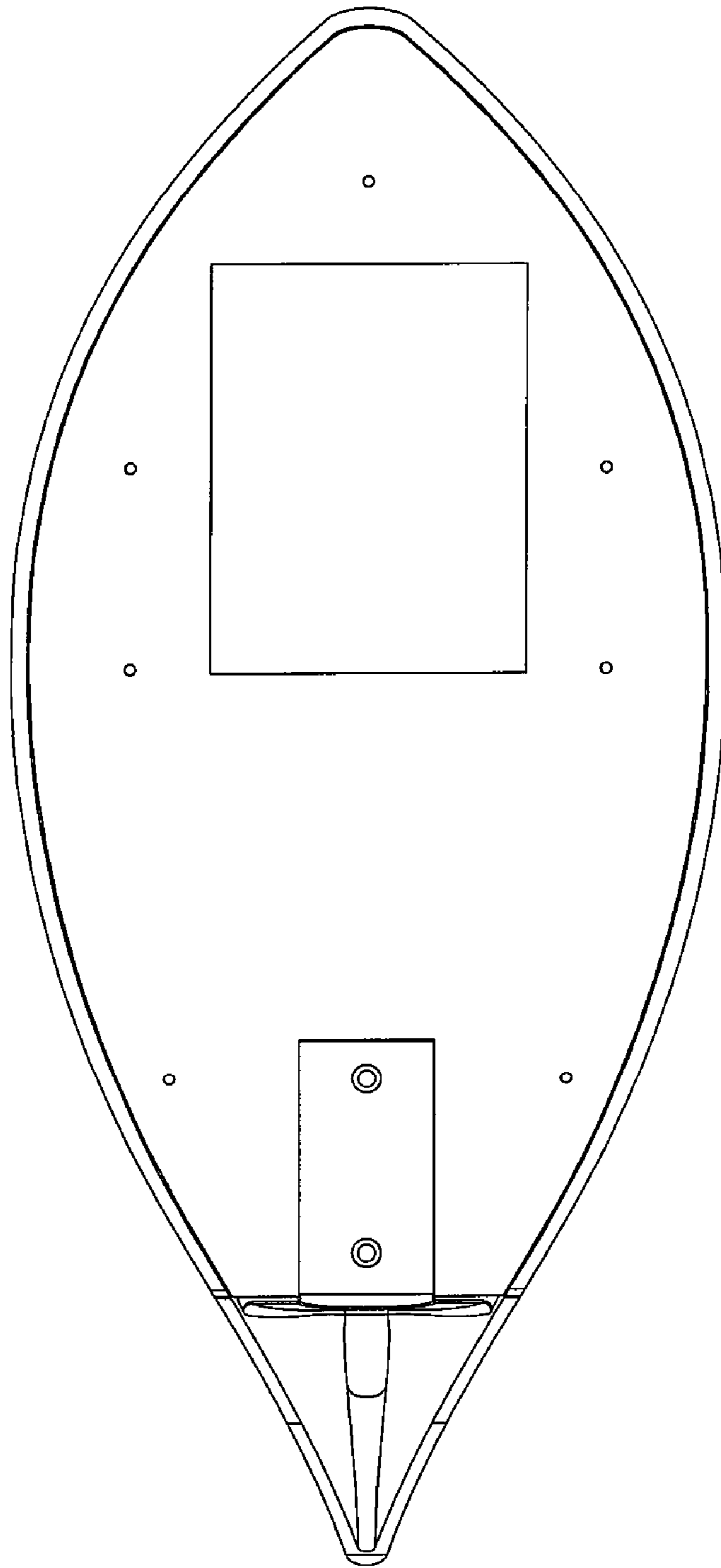


FIG. 6

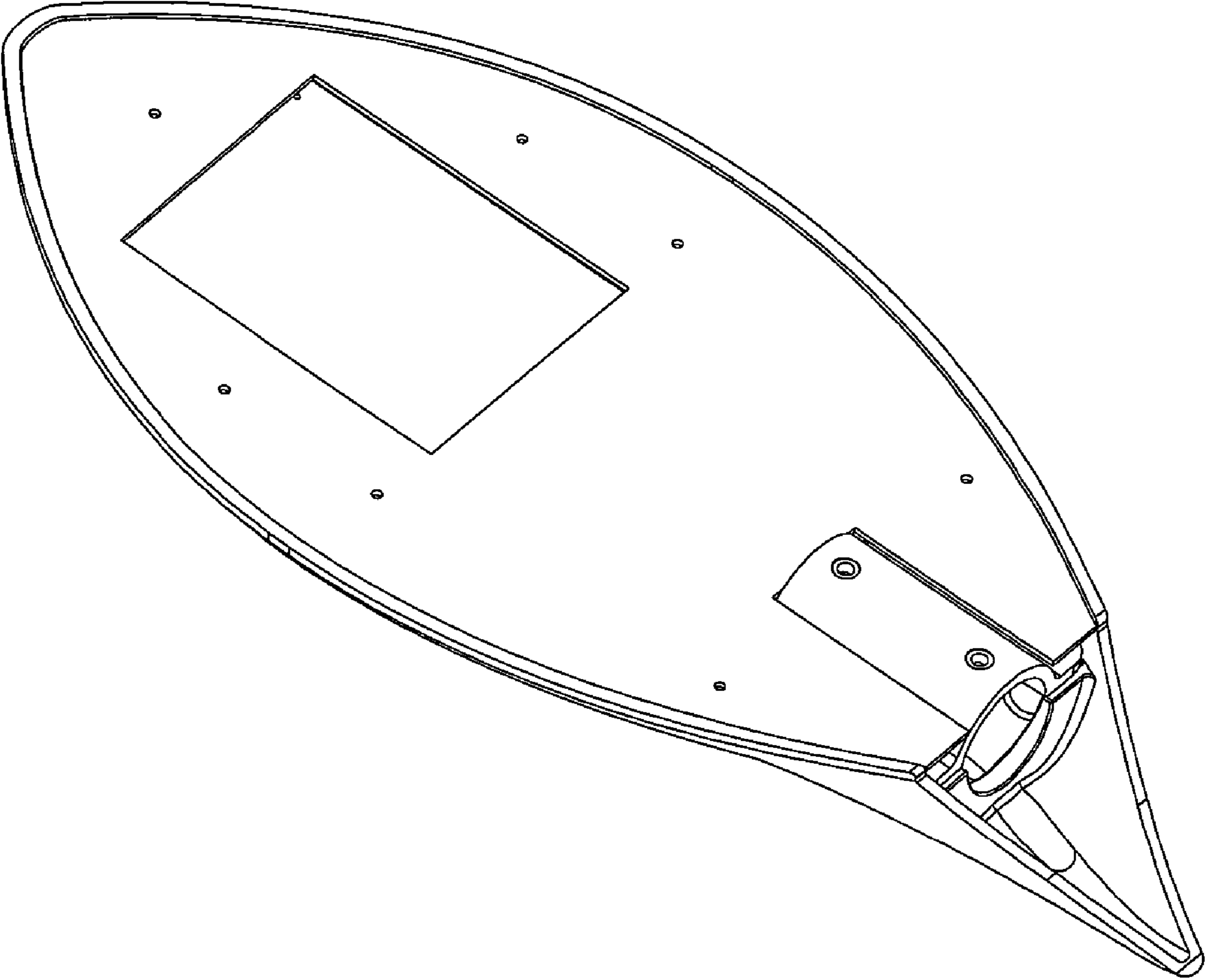


FIG. 7

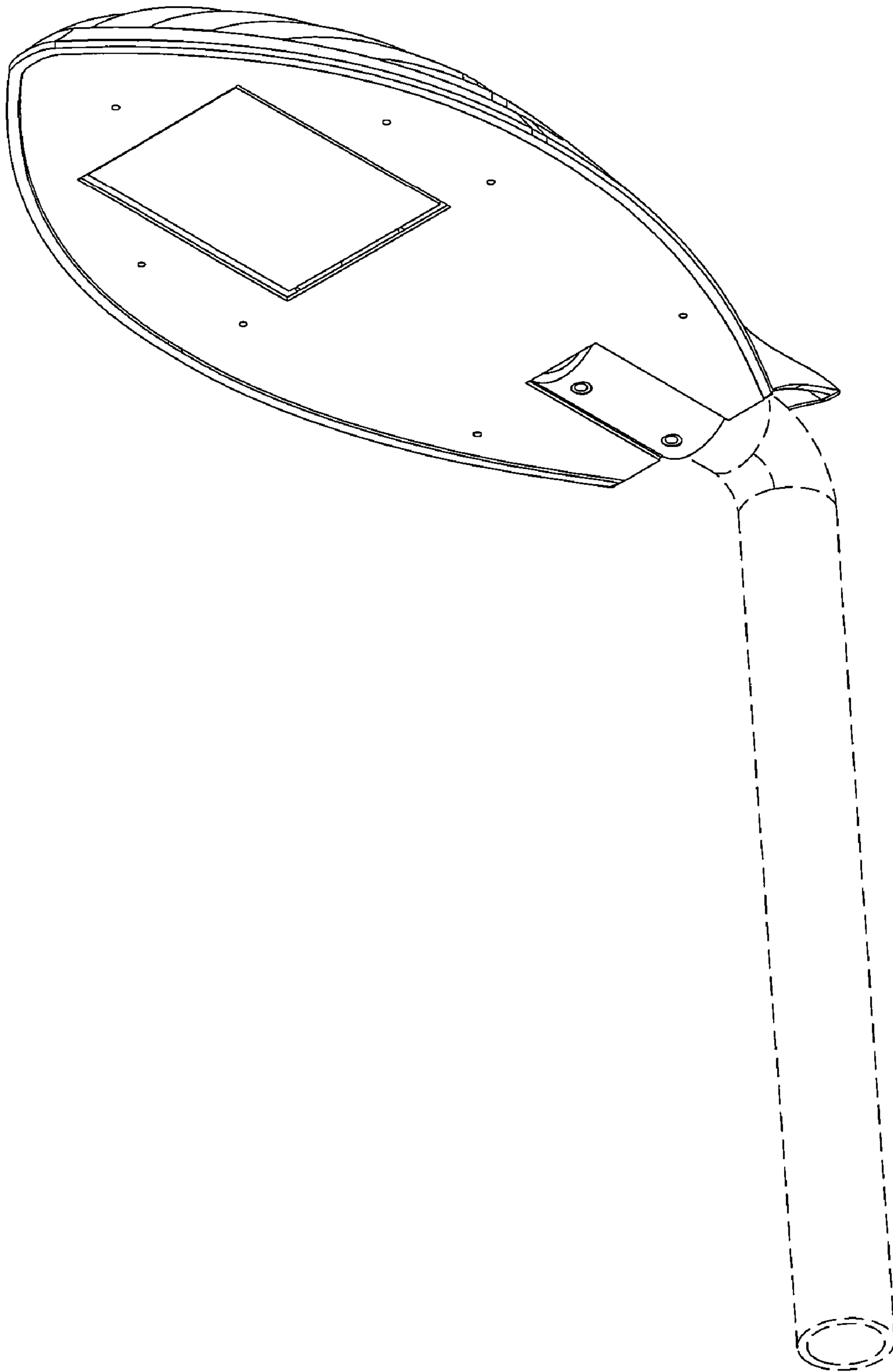


FIG. 8

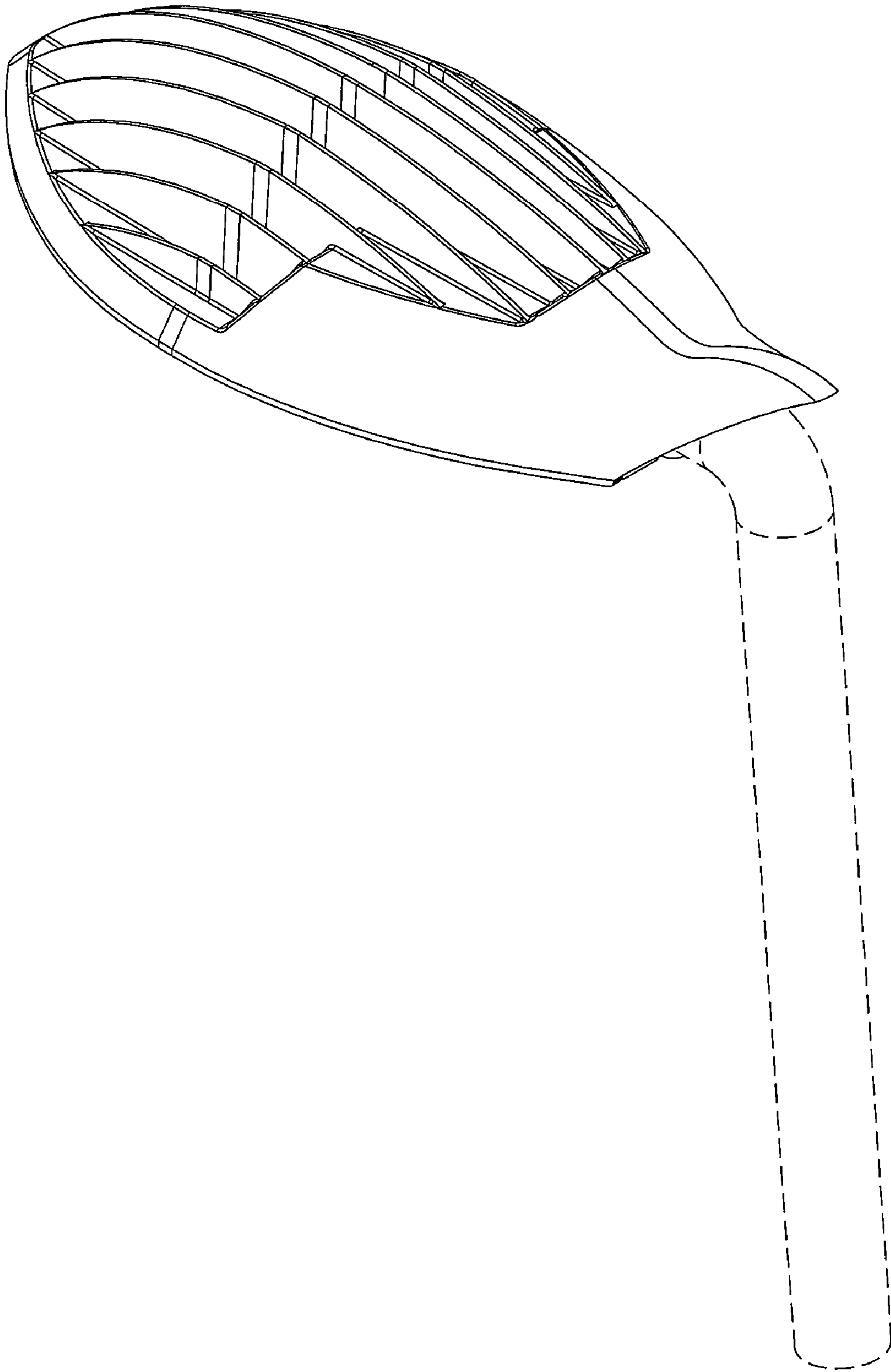


FIG. 9