



US00D600845S

(12) **United States Design Patent**
Thomson et al.

(10) **Patent No.:** **US D600,845 S**

(45) **Date of Patent:** **** Sep. 22, 2009**

(54) **DESK LAMP**

(75) Inventors: **John Matthew Thomson**, Tampa, FL (US); **Kelly Martelli**, Tampa, FL (US); **Kelly Shea Keuthe**, Lutz, FL (US)

(73) Assignee: **Ottlite Technologies, Inc.**, Tampa, FL (US)

(**) Term: **14 Years**

(21) Appl. No.: **29/337,209**

(22) Filed: **May 18, 2009**

(51) **LOC (9) Cl.** **26-05**

(52) **U.S. Cl.** **D26/65**

(58) **Field of Classification Search** D26/61-65,
D26/107; 362/269, 275, 285, 371, 410, 418,
362/419, 427

See application file for complete search history.

(56) **References Cited**

U.S. PATENT DOCUMENTS

| | | | | |
|--------------|---------|-------------------|-------|---------|
| D367,541 S * | 2/1996 | Kuo | | D26/62 |
| D377,106 S * | 12/1996 | Chan | | D26/62 |
| D439,358 S * | 3/2001 | Lin | | D26/65 |
| D520,663 S * | 5/2006 | Ancona et al. | | D26/65 |
| D526,080 S * | 8/2006 | Ancona et al. | | D26/65 |
| D559,431 S * | 1/2008 | Mota Veiga et al. | | D26/118 |
| D571,032 S * | 6/2008 | Chen | | D26/61 |

* cited by examiner

Primary Examiner—Clare E Heflin

(74) *Attorney, Agent, or Firm*—Christopher Paradies; Fowler White Boggs P.A.

(57) **CLAIM**

The ornamental design for a desk lamp, as shown and described.

DESCRIPTION

FIG. 1 is a right side elevational view of a desk lamp, in its open position, showing our new design;

FIG. 2 is a right side elevational view, in its closed position, thereof;

FIG. 3 is a top plan view, in its closed position, thereof;

FIG. 4 is a top plan view, in its open position, thereof;

FIG. 5 is a rear elevational view, in its closed position, thereof;

FIG. 6 is a rear elevational view, in its open position, thereof;

FIG. 7 is a bottom plan view, in its closed position, thereof;

FIG. 8 is a bottom plan view, in its open position, thereof;

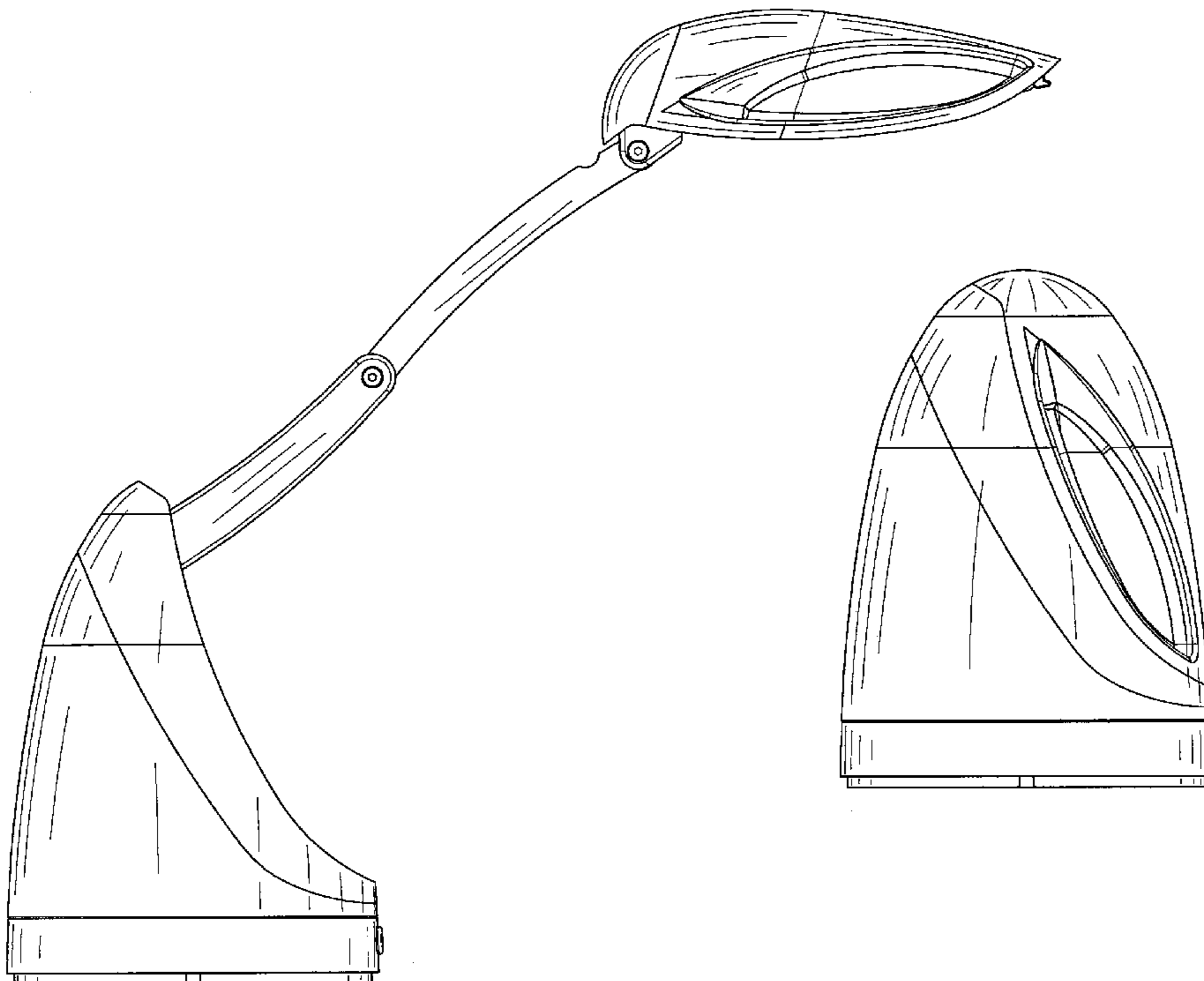
FIG. 9 is a front elevational view, in its closed position, thereof;

FIG. 10 is a front elevational view, in its open position, thereof;

FIG. 11 is a left side elevational view, in its closed position, thereof; and,

FIG. 12 is a left side elevational view, in its open position.

1 Claim, 5 Drawing Sheets



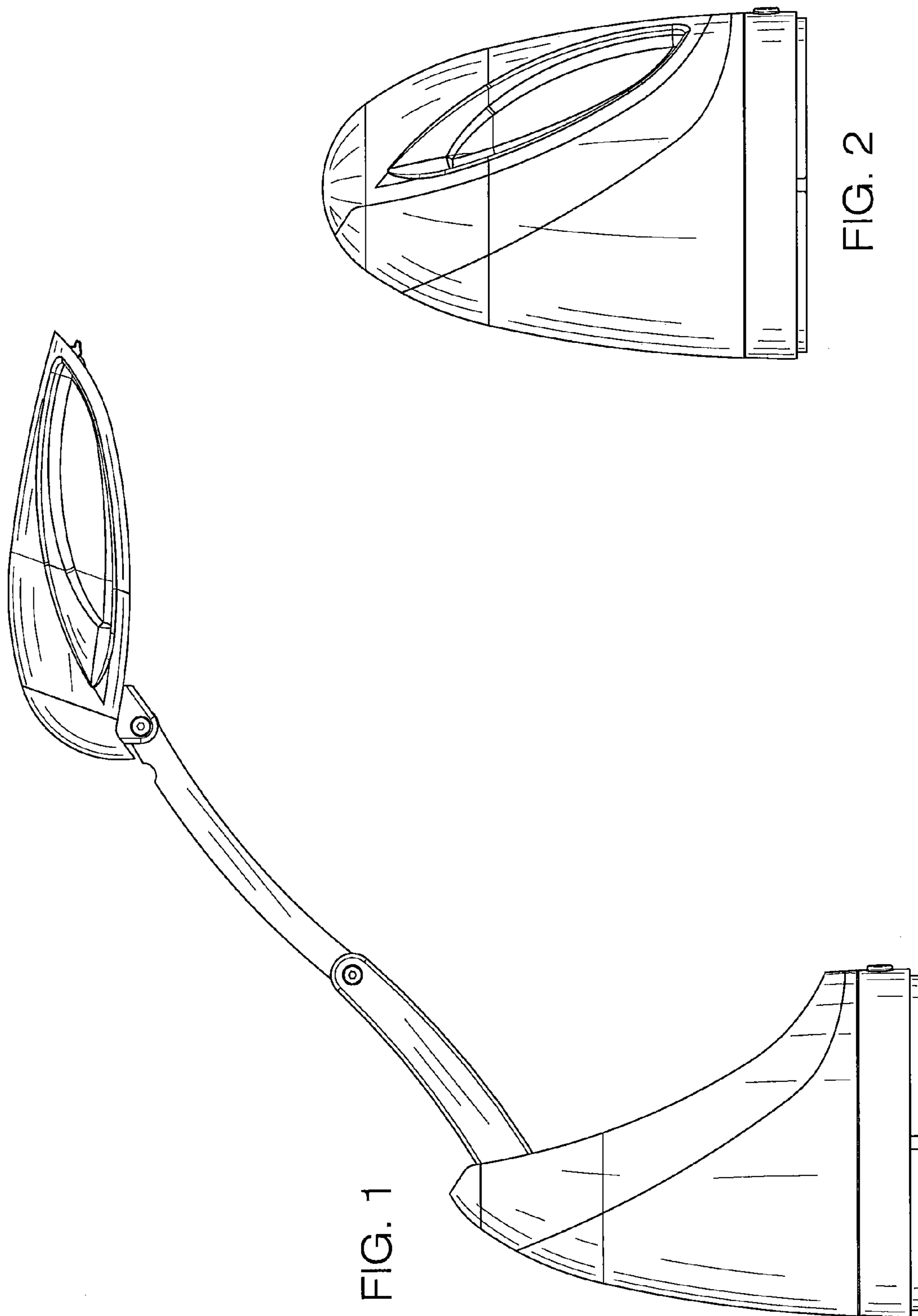


FIG. 1

FIG. 2

FIG. 3

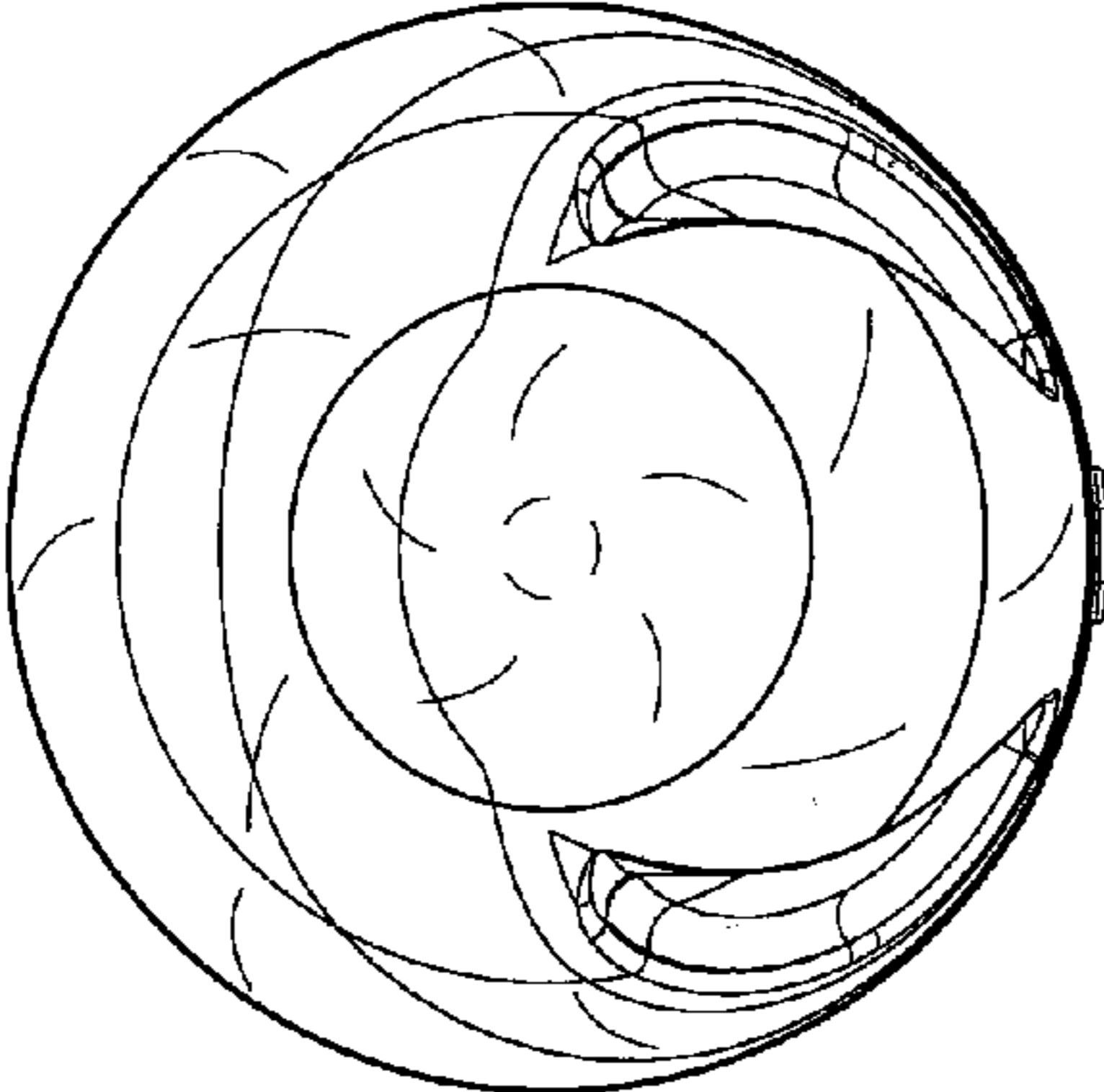


FIG. 4

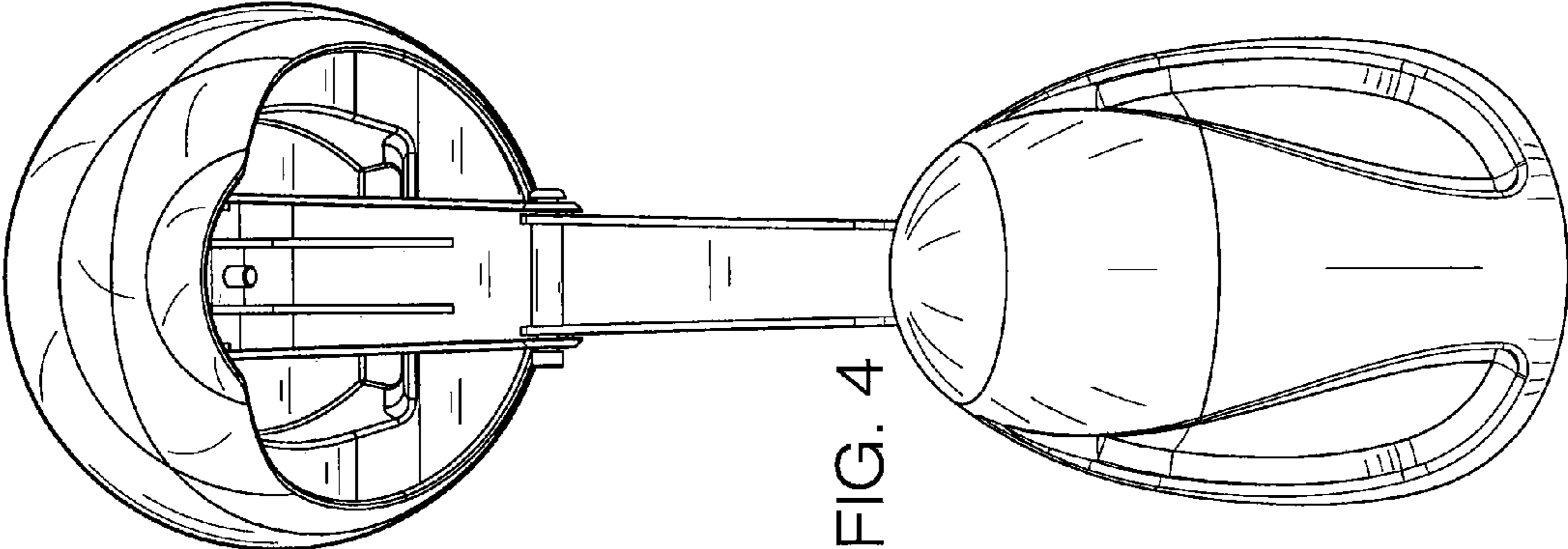
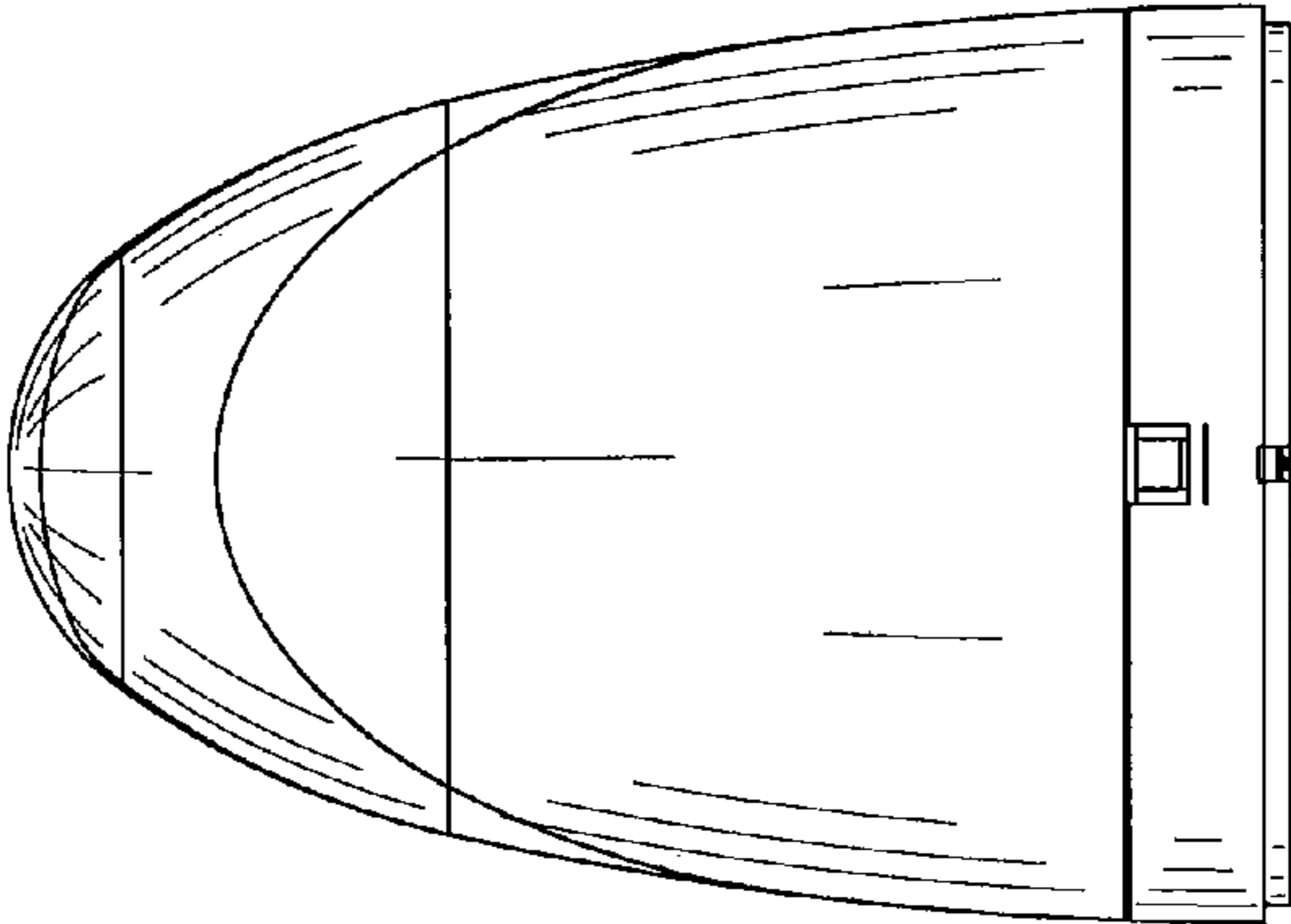


FIG. 5



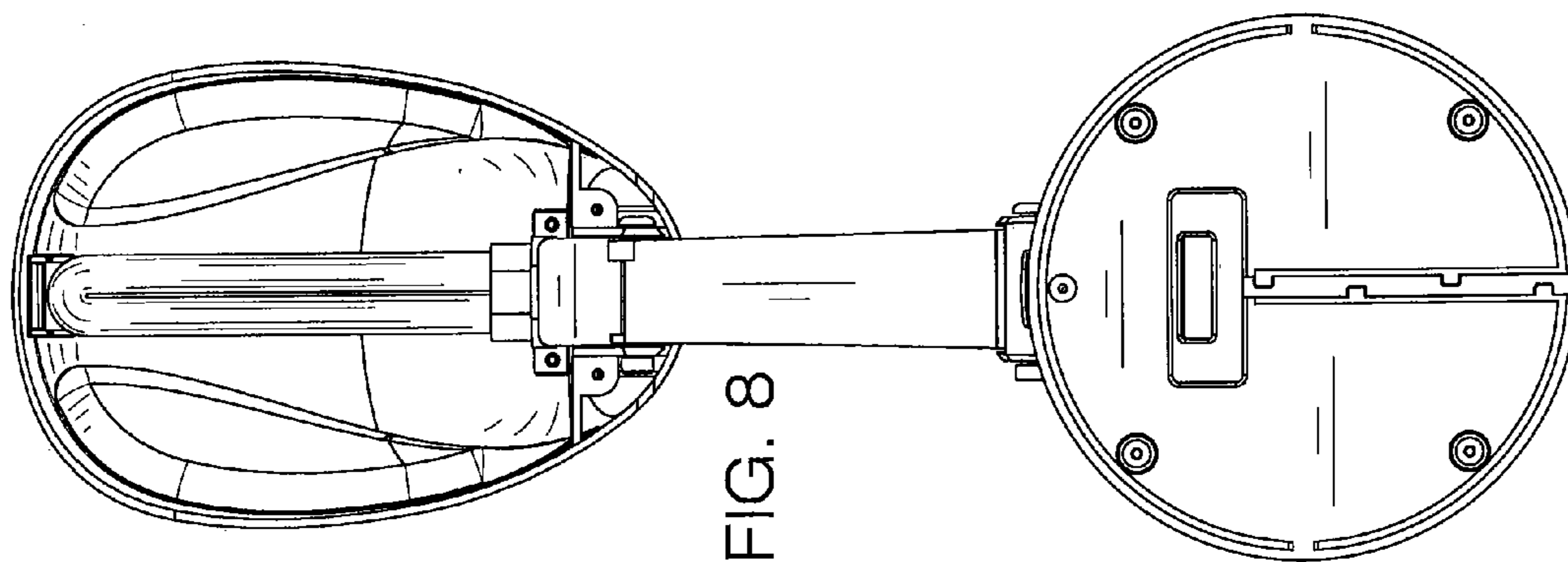


FIG. 8

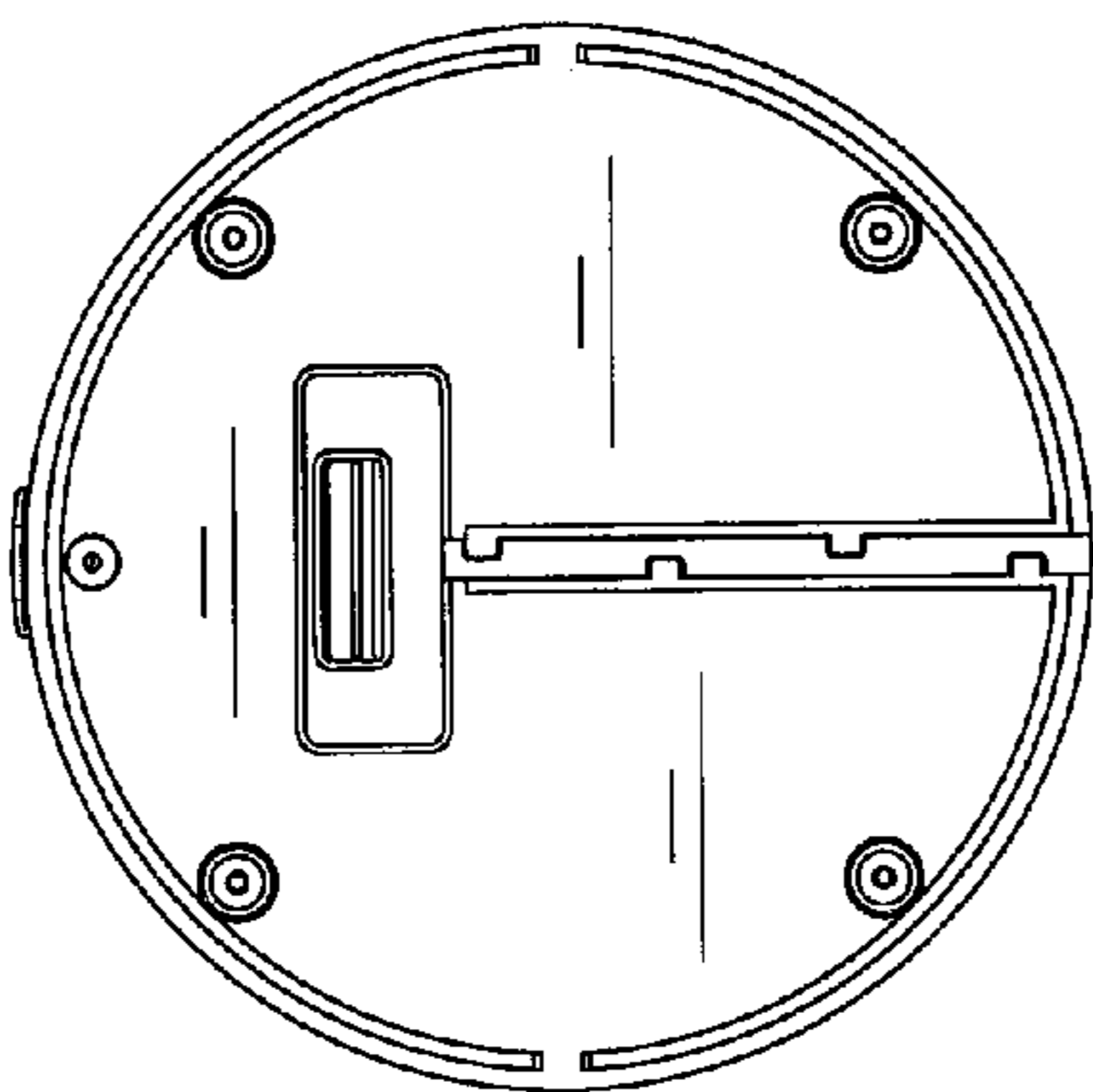


FIG. 7

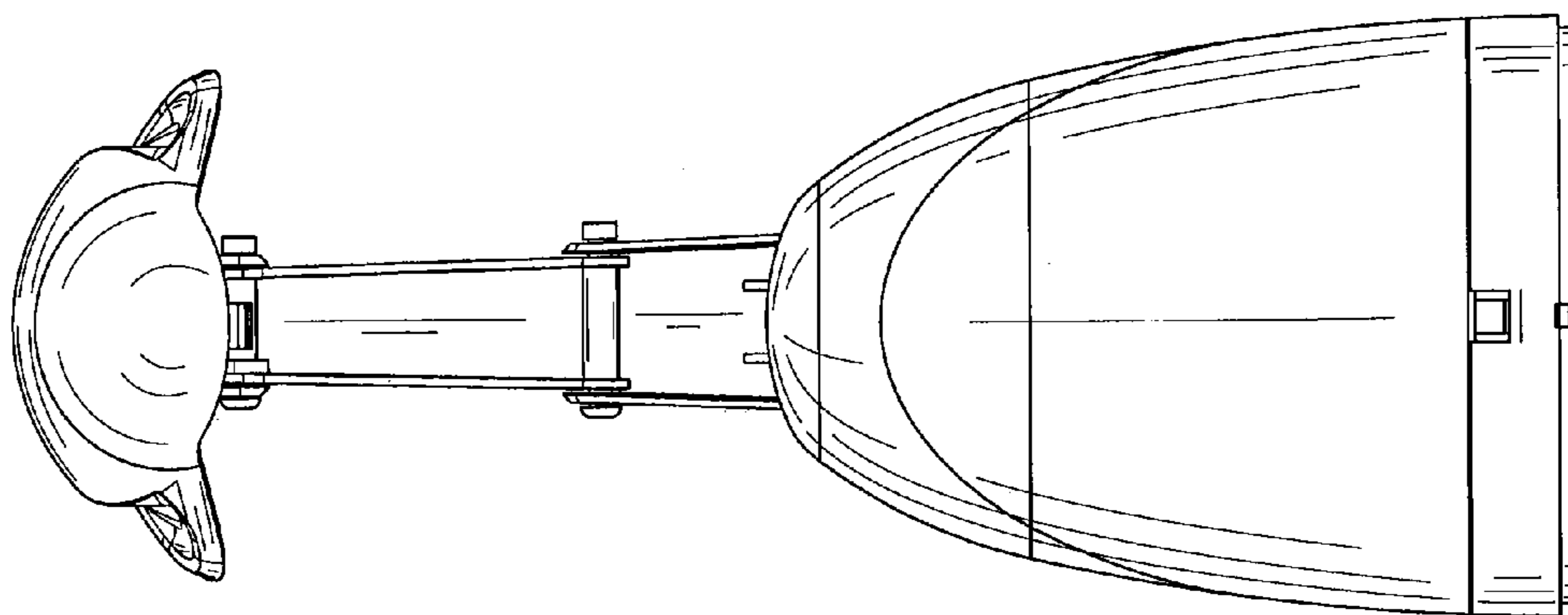


FIG. 6

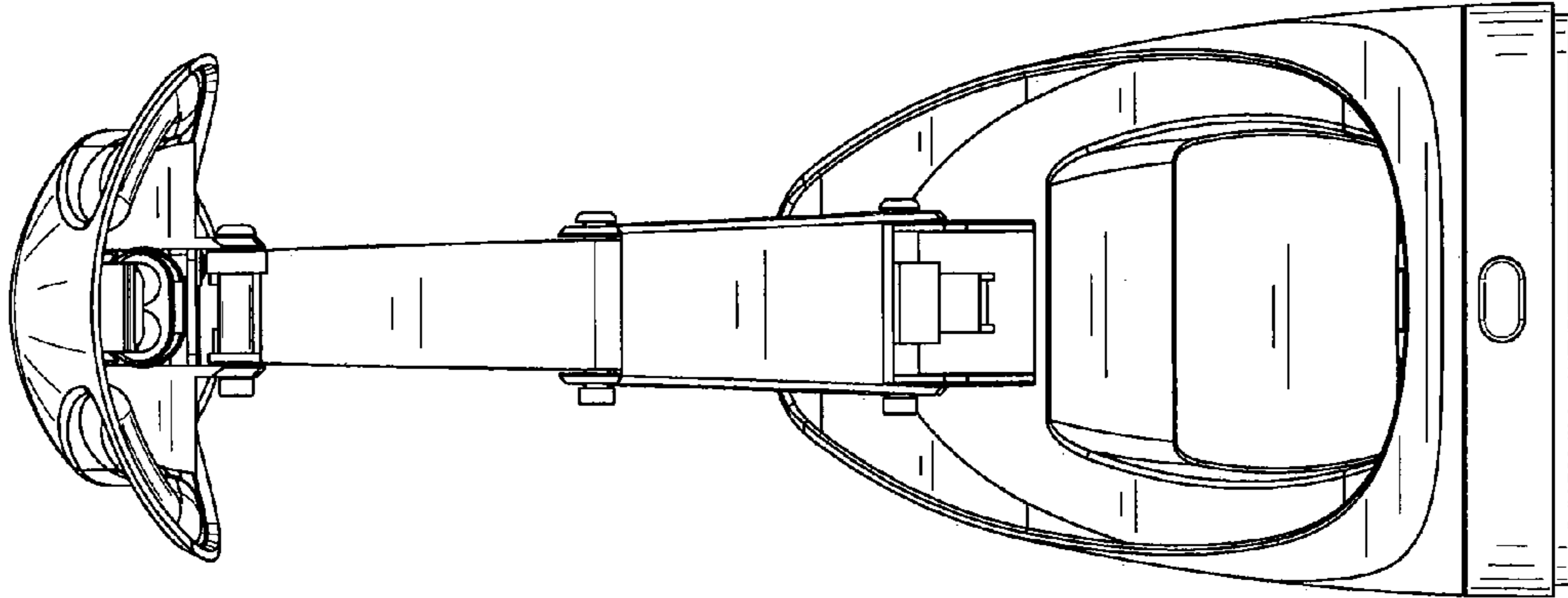


FIG. 10

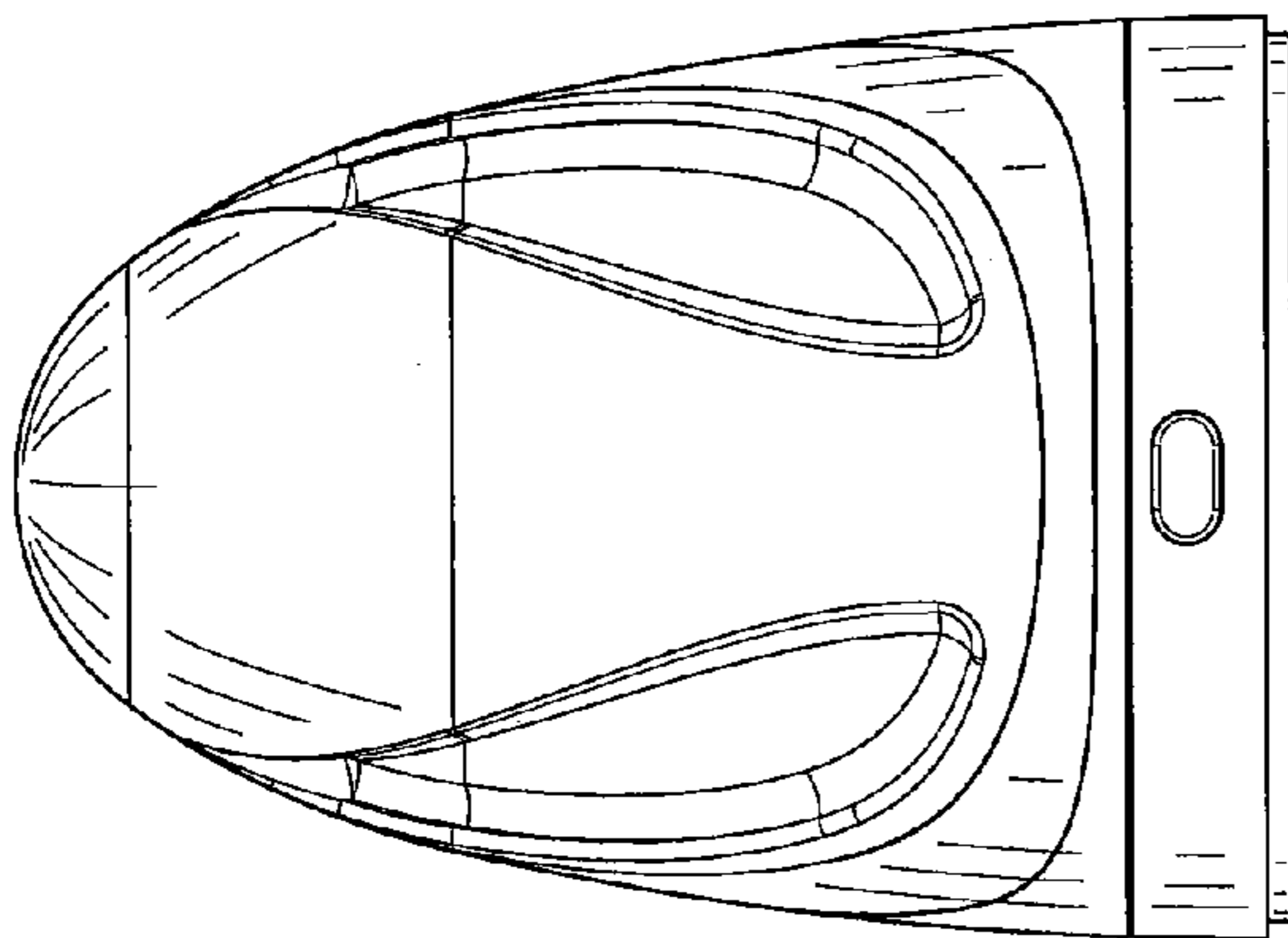


FIG. 9

