



US00D600844S

(12) **United States Design Patent**  
**Thomson et al.**

(10) **Patent No.:** **US D600,844 S**

(45) **Date of Patent:** **\*\* Sep. 22, 2009**

(54) **CRANE LAMP**

(75) Inventors: **John Matthew Thomson**, Tampa, FL (US); **Kelly Martelli**, Tampa, FL (US); **Kelly Shea Keuthe**, Lutz, FL (US)

(73) Assignee: **Ottlite Technologies, Inc.**, Tampa, FL (US)

(\*\*) Term: **14 Years**

(21) Appl. No.: **29/337,208**

(22) Filed: **May 18, 2009**

(51) **LOC (9) Cl.** ..... **26-05**

(52) **U.S. Cl.** ..... **D26/65**

(58) **Field of Classification Search** ..... D26/61-65,  
D26/107; 362/269, 275, 285, 371, 410, 418,  
362/419, 427

See application file for complete search history.

(56) **References Cited**

**U.S. PATENT DOCUMENTS**

D345,027 S *	3/1994	Huang	.....	D26/65
D385,052 S *	10/1997	Huang	.....	D26/60
D486,938 S *	2/2004	Waldmann	.....	D26/60
D528,691 S *	9/2006	Waldmann	.....	D26/65
D557,436 S *	12/2007	Iai et al.	.....	D26/63

D568,520 S *	5/2008	Castellucci et al.	.....	D26/65
D590,534 S *	4/2009	Levine	.....	D26/62
D590,976 S *	4/2009	Levine	.....	D26/60
2006/0139936 A1 *	6/2006	Lin	.....	362/410

\* cited by examiner

*Primary Examiner*—Clare E Heflin

(74) *Attorney, Agent, or Firm*—Christopher Paradies; Fowler White Boggs P.A.

(57) **CLAIM**

The ornamental design for a crane lamp, as shown and described.

**DESCRIPTION**

FIG. 1 is a front elevational view of a crane lamp showing our new design;

FIG. 2 is a rear elevational view thereof;

FIG. 3 is a right side elevational view thereof;

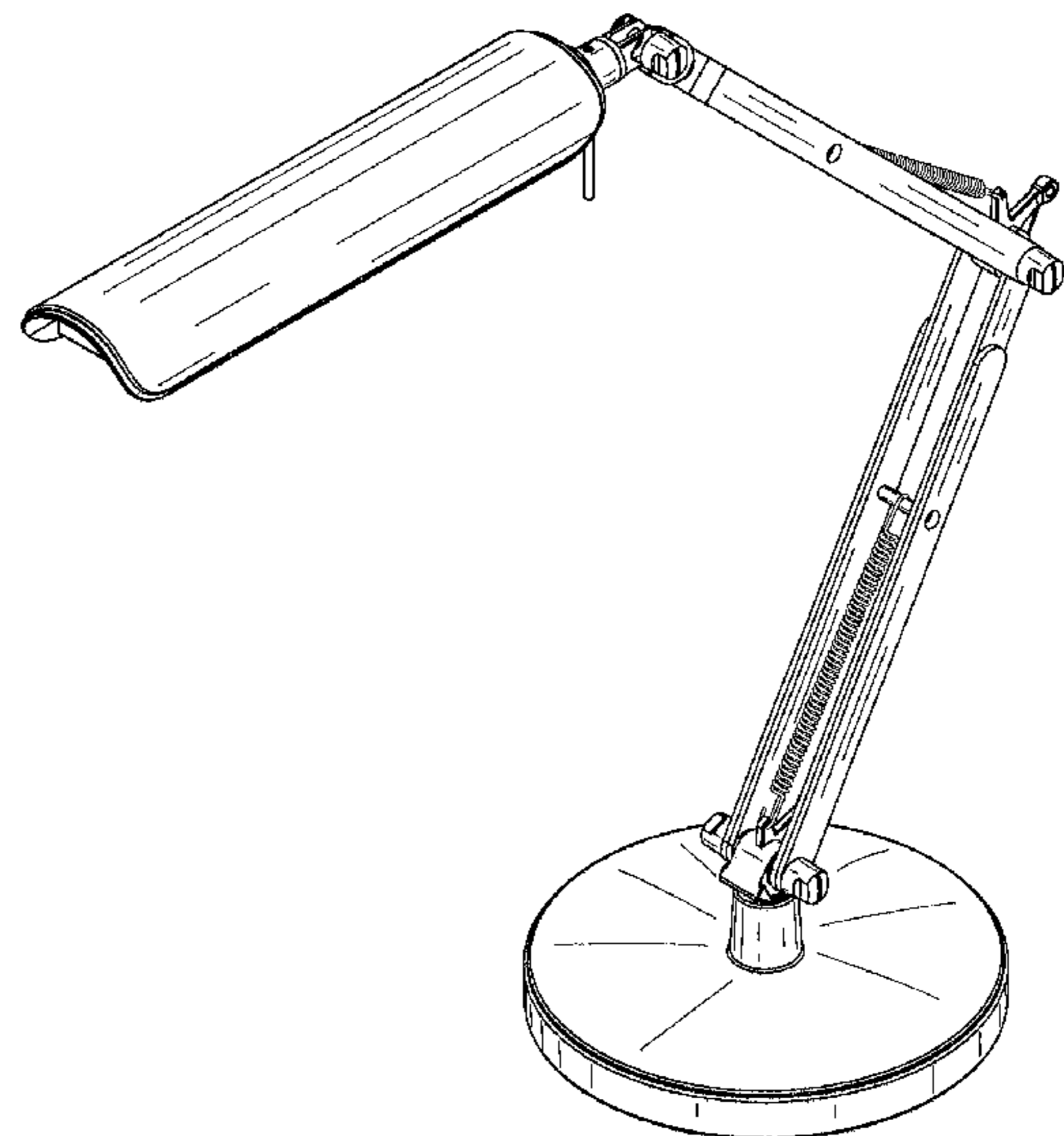
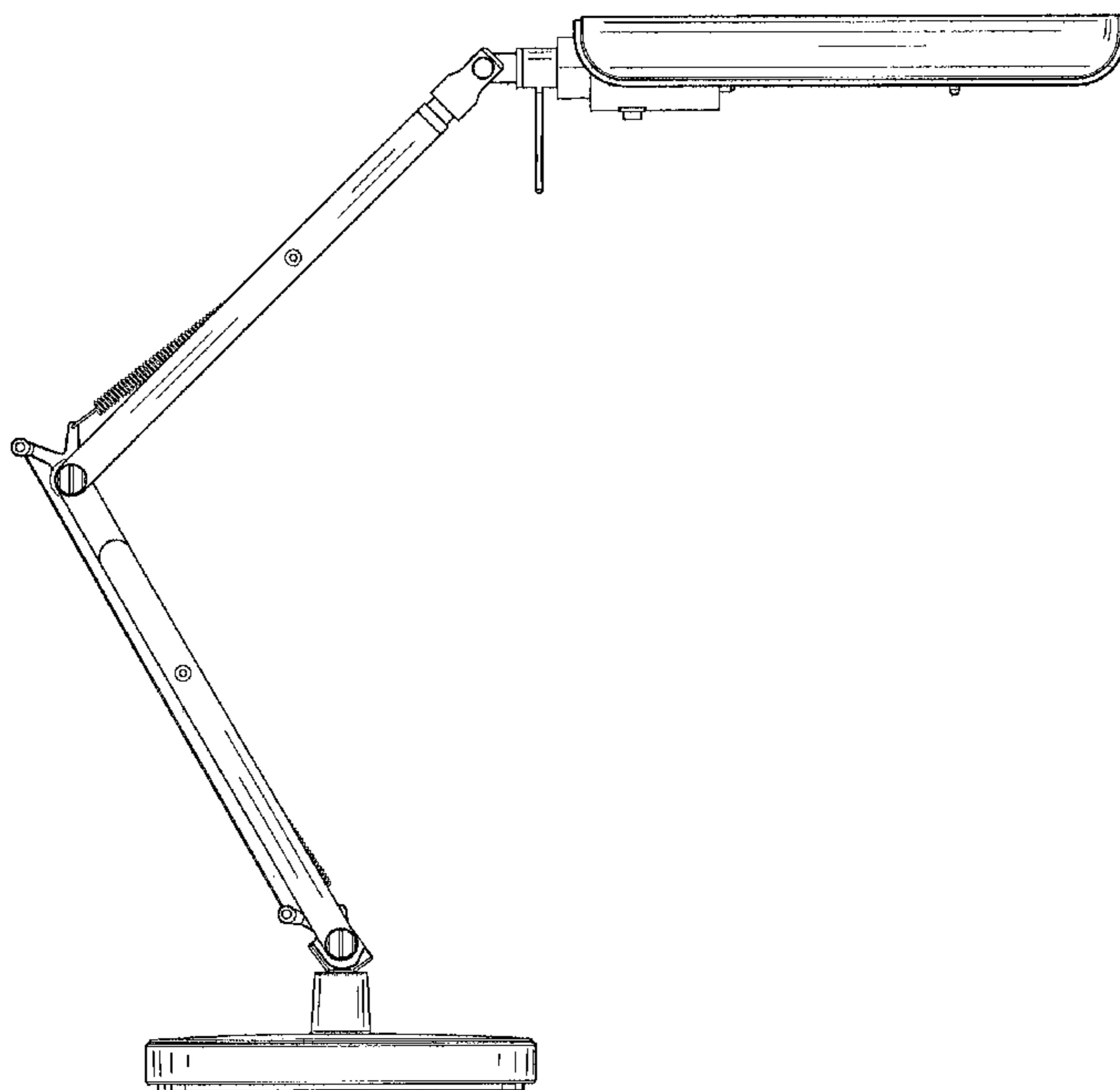
FIG. 4 is a left side elevational view thereof;

FIG. 5 is a top plan view thereof;

FIG. 6 is a bottom plan view thereof; and,

FIG. 7 is a left top perspective view thereof.

**1 Claim, 5 Drawing Sheets**



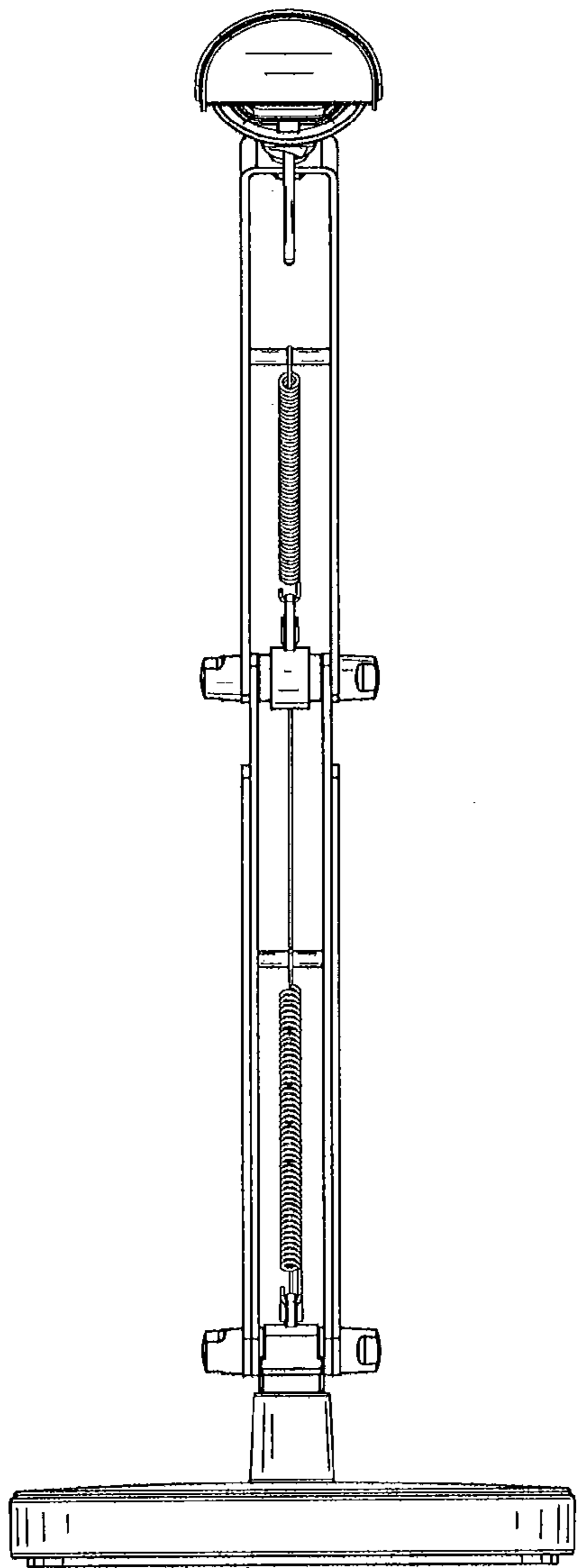


FIG. 1

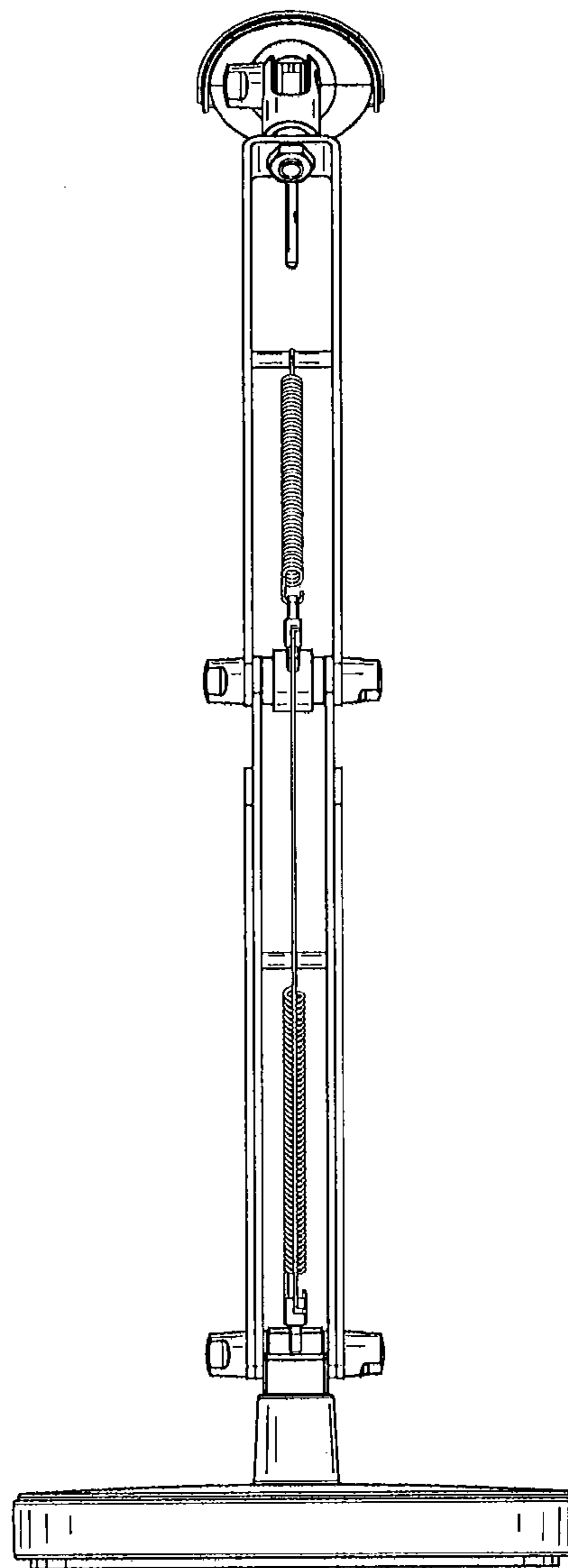
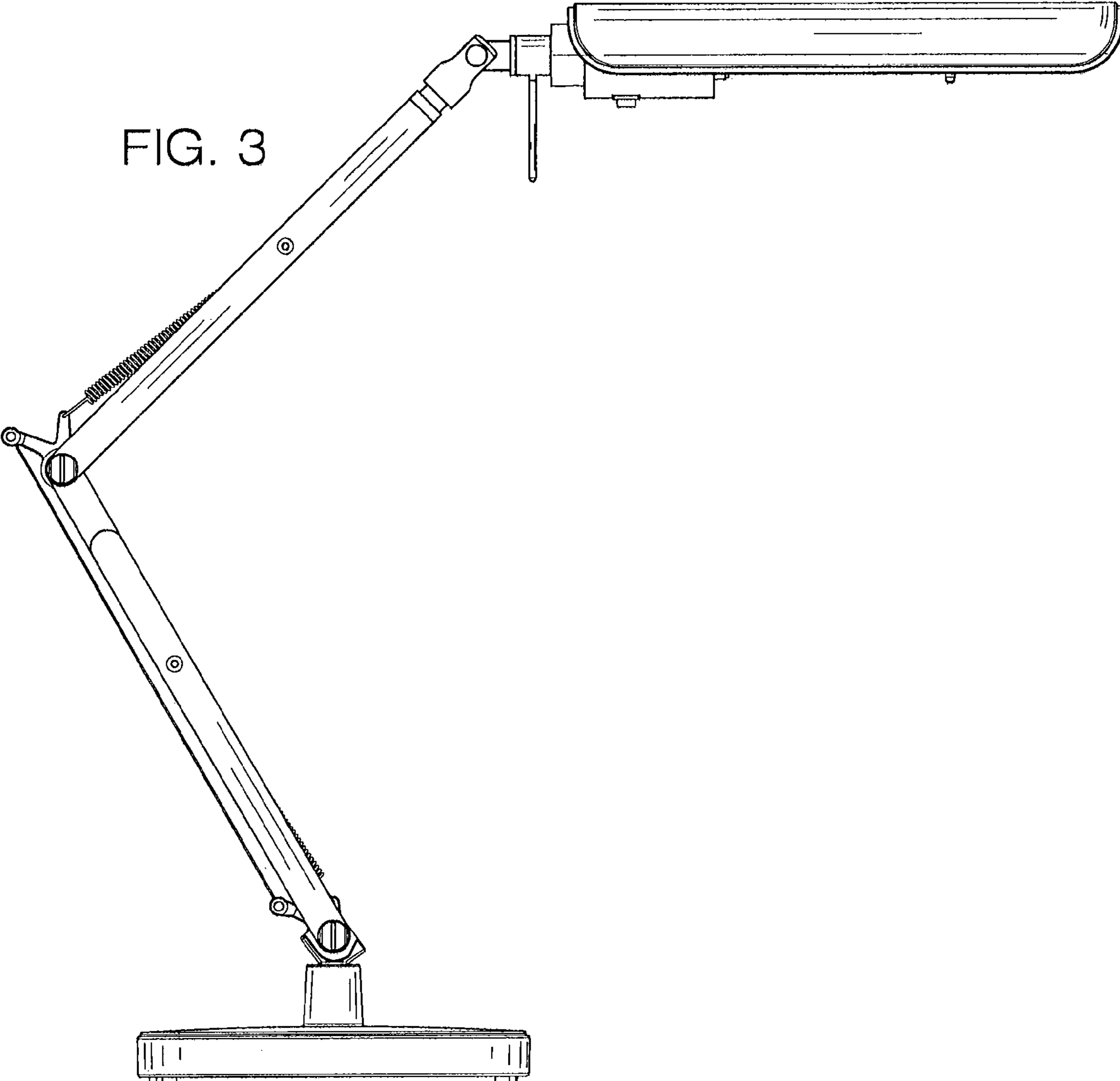


FIG. 2

FIG. 3



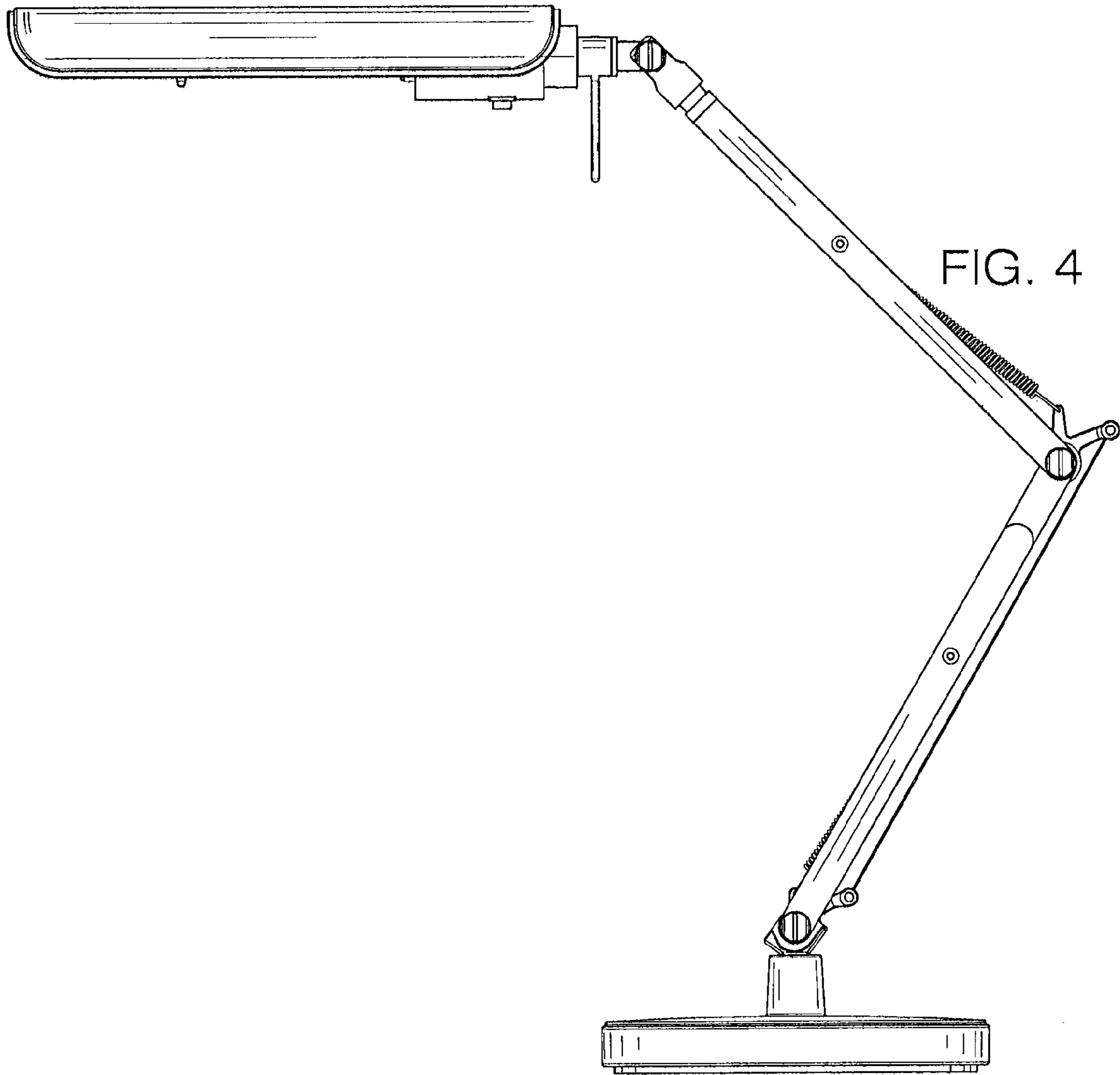


FIG. 5

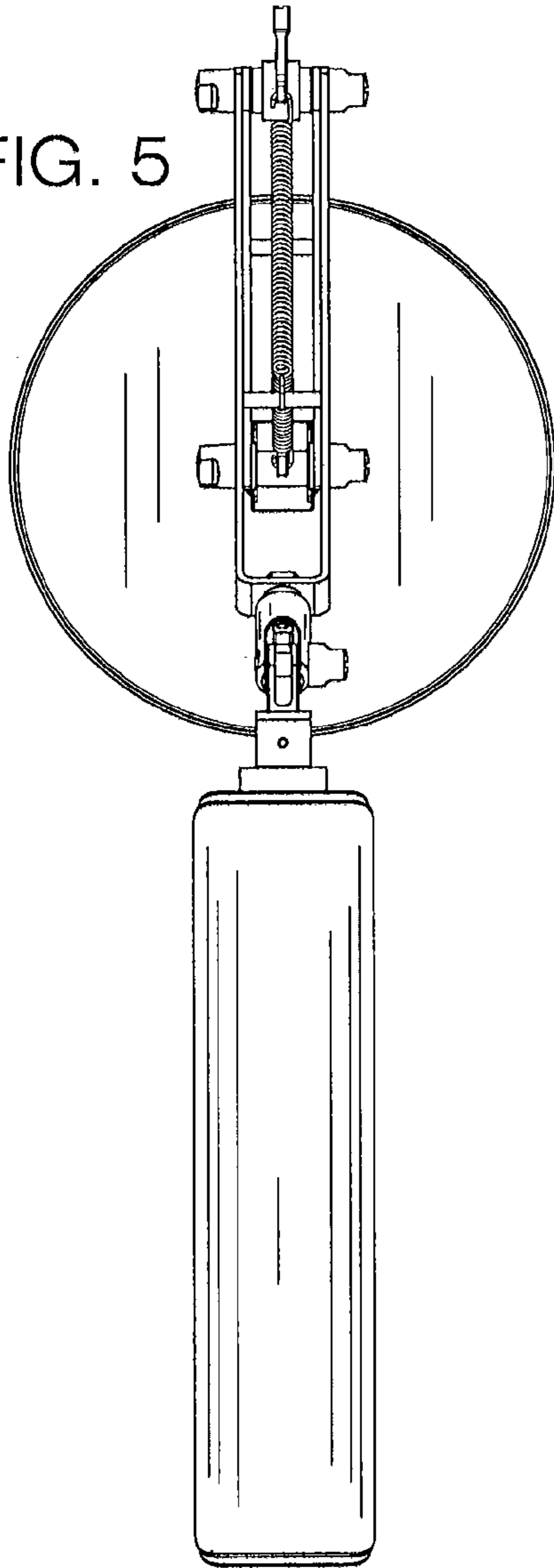
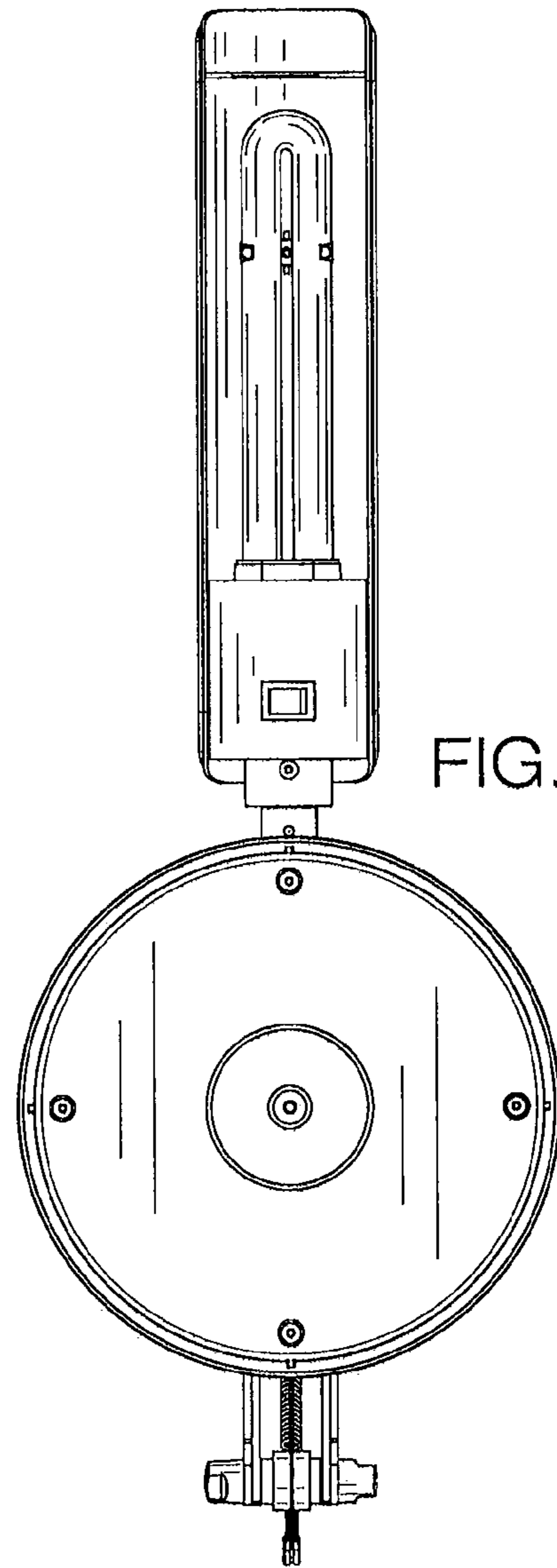


FIG. 6



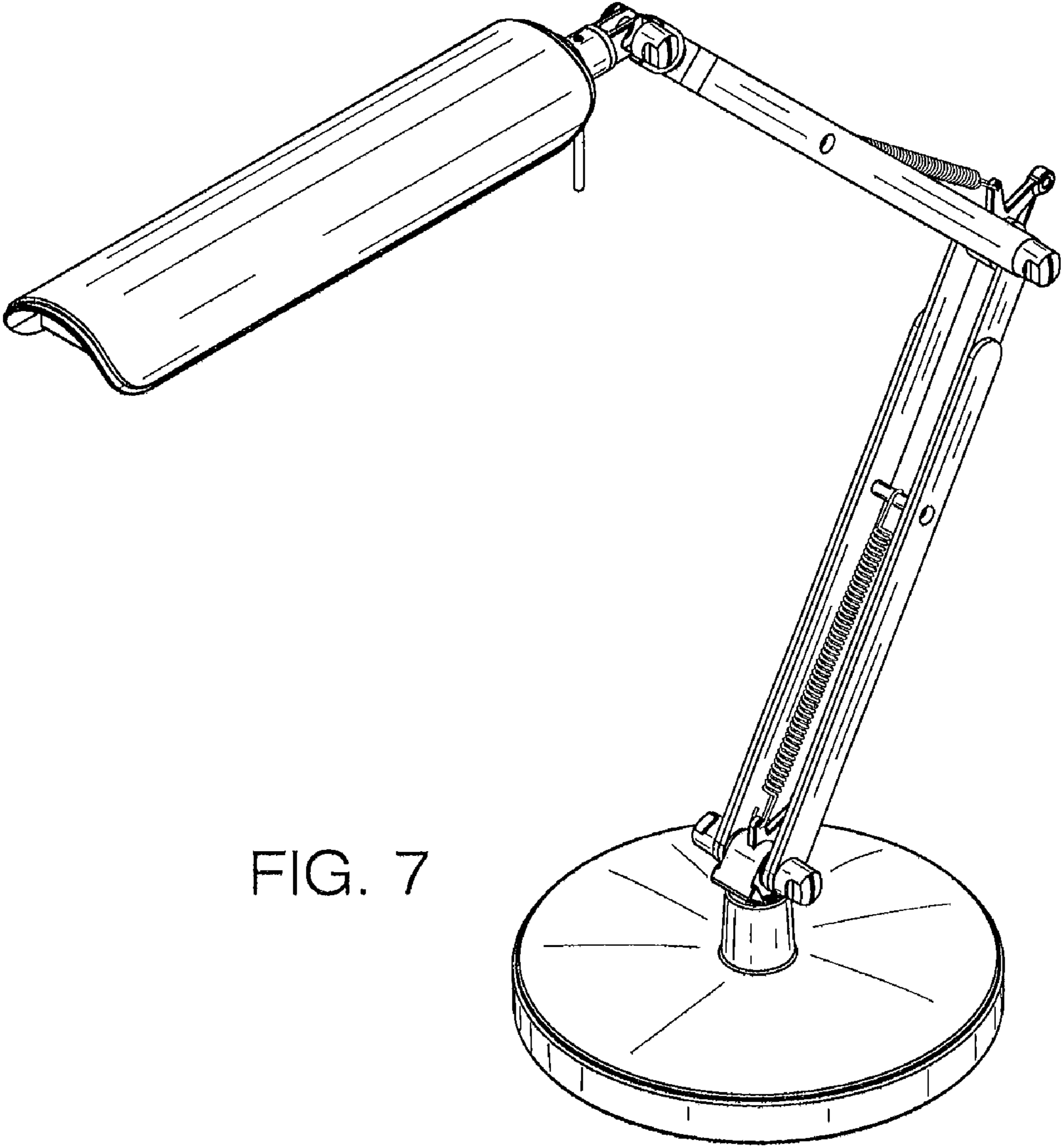


FIG. 7