

US00D600843S

(12) **United States Design Patent**
Thomson et al.

(10) **Patent No.:** **US D600,843 S**

(45) **Date of Patent:** **** Sep. 22, 2009**

(54) **TELESCOPE LAMP**

(75) Inventors: **John Matthew Thomson**, Tampa, FL (US); **Kelly Martelli**, Tampa, FL (US); **Kelly Shea Keuthe**, Lutz, FL (US)

(73) Assignee: **Ottlite Technologies, Inc.**, Tampa, FL (US)

(**) Term: **14 Years**

(21) Appl. No.: **29/337,176**

(22) Filed: **May 15, 2009**

(51) **LOC (9) Cl.** **26-05**

(52) **U.S. Cl.** **D26/65; D26/66**

(58) **Field of Classification Search** D26/61-65,
D26/107; 362/269, 275, 285, 371, 410, 418,
362/419, 427

See application file for complete search history.

(56) **References Cited**

U.S. PATENT DOCUMENTS

D109,119 S *	4/1938	Arenberg	D26/63
D178,415 S *	7/1956	Mugnai	D26/63
D205,859 S *	9/1966	Pohletal	D26/64
3,378,681 A *	4/1968	Meyer et al.	362/387
D211,387 S *	6/1968	Muller	D26/64

D212,968 S *	12/1968	Schwartz	D26/63
D213,902 S *	4/1969	Muller	D26/64
D217,281 S *	4/1970	Ishikawa	D26/64
D263,000 S *	2/1982	Heritage et al.	D26/63
D283,361 S *	4/1986	Ansems	D26/61
D329,298 S *	9/1992	Huang	D26/62
D401,377 S *	11/1998	Eusterbrock	D26/107

* cited by examiner

Primary Examiner—Clare E Heflin

(74) *Attorney, Agent, or Firm*—Christopher Paradies; Fowler White Boggs P.A.

(57) **CLAIM**

The ornamental design for a telescope lamp, as shown and described.

DESCRIPTION

FIG. 1 is a left side elevational view of a telescope lamp showing our new design;

FIG. 2 is a right side elevational view thereof;

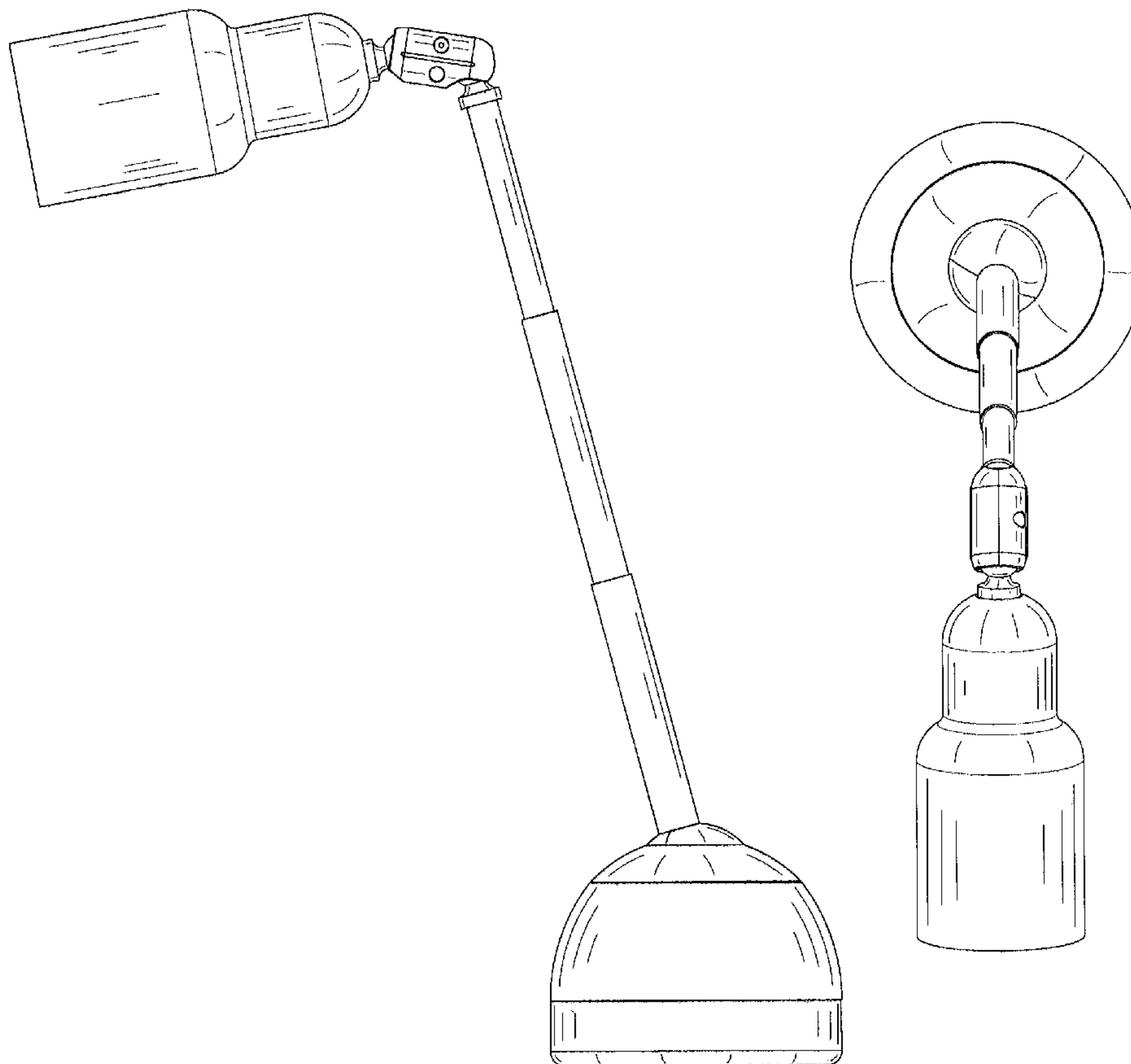
FIG. 3 is a front elevational view thereof;

FIG. 4 is a rear elevational view thereof;

FIG. 5 is a top plan view thereof; and,

FIG. 6 is a bottom plan view thereof.

1 Claim, 4 Drawing Sheets



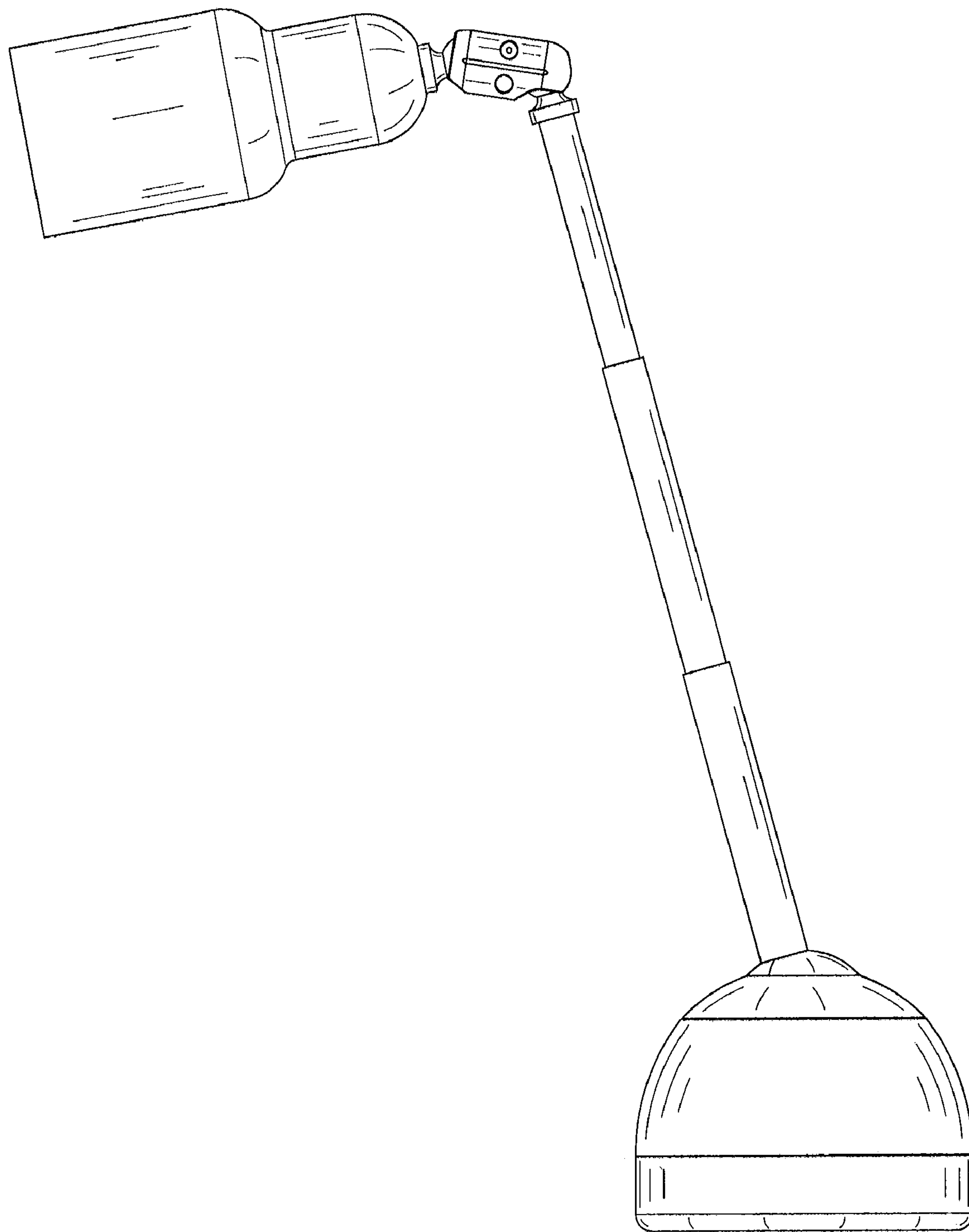


FIG. 1

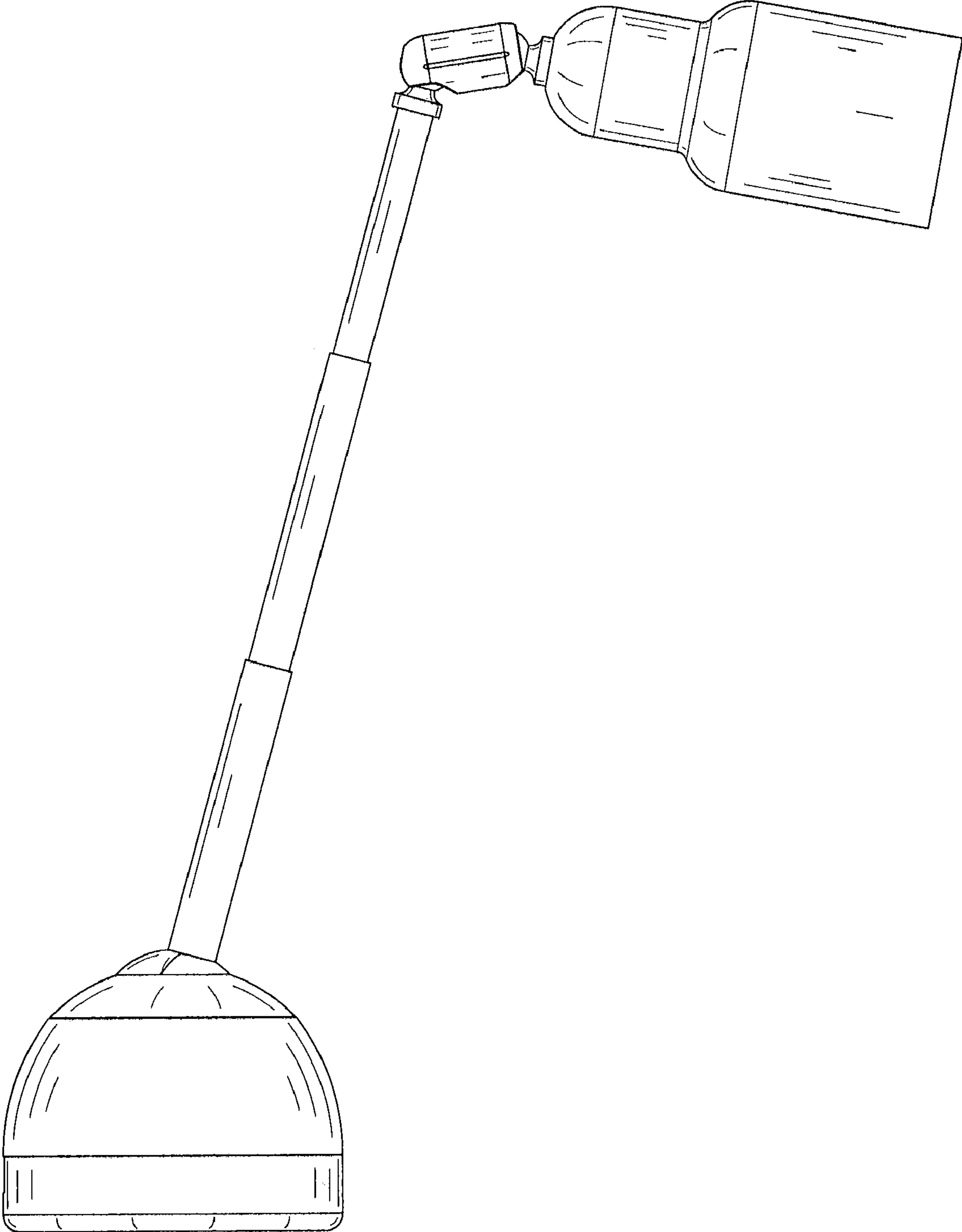


FIG. 2

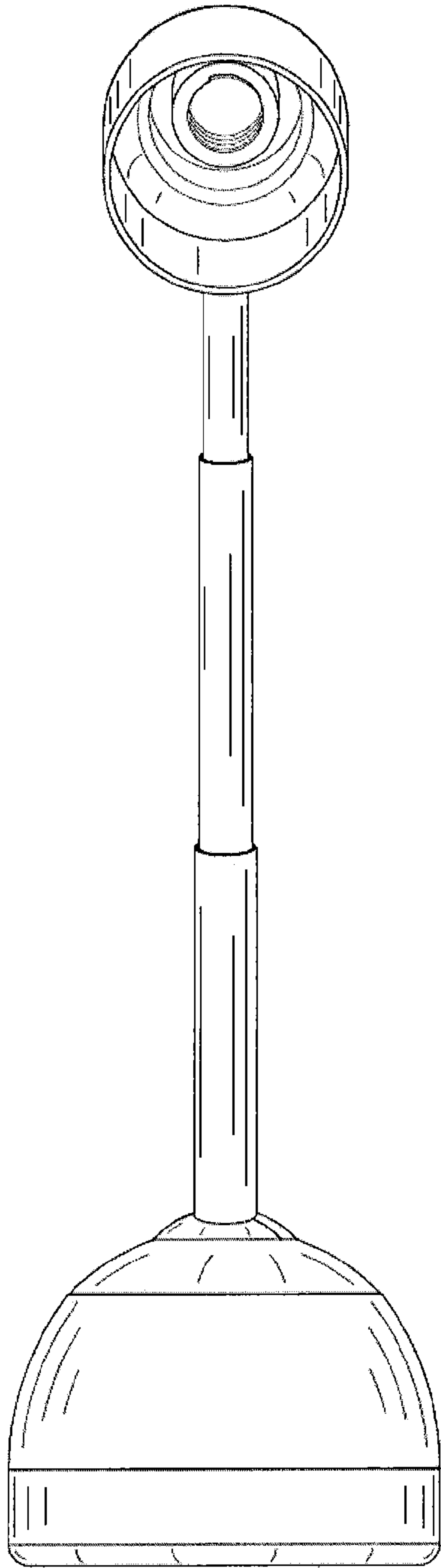


FIG. 3

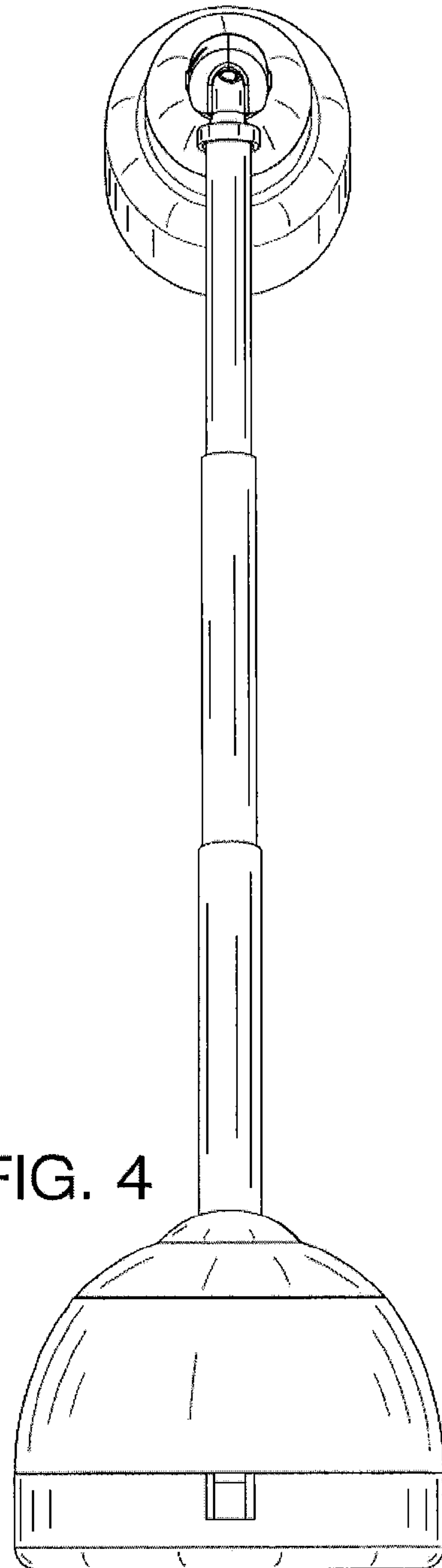


FIG. 4

