



US00D600840S

(12) **United States Design Patent**  
**Lagassey**

(10) **Patent No.:** **US D600,840 S**

(45) **Date of Patent:** **\*\* Sep. 22, 2009**

(54) **MODULE WITH A PLURALITY OF ILLUMINATING ELEMENTS**

(75) Inventor: **Paul J. Lagassey**, Vero Beach, FL (US)

(73) Assignee: **KoolLight, LLC**, Vero Beach, FL (US)

(\*\*) Term: **14 Years**

(21) Appl. No.: **29/299,591**

(22) Filed: **Dec. 28, 2007**

(51) **LOC (9) Cl.** ..... **26-06**

(52) **U.S. Cl.** ..... **D26/37; D26/39**

(58) **Field of Classification Search** ..... D26/24,  
D26/29, 37, 39, 44, 61, 63-64, 72, 80; 362/103,  
362/105-107, 157, 194-195, 197, 200

See application file for complete search history.

(56) **References Cited**

U.S. PATENT DOCUMENTS

1,109,415 A	9/1914	Harris	
D88,205 S *	11/1932	Williams	D26/50
1,914,429 A	6/1933	Houlihan et al.	
D91,507 S *	2/1934	Barber	D26/50
2,234,995 A	3/1941	Waechter	
D127,785 S	4/1941	Brodton	
2,539,104 A	1/1951	Rodel	
D176,073 S	11/1955	Mantell	
2,932,018 A *	4/1960	Schwartz	362/486
3,032,647 A	5/1962	Wansky et al.	
D213,516 S *	3/1969	Ashe	D26/50
D214,943 S	8/1969	Zapolski	
D238,958 S	2/1976	Feinbloom	
D266,192 S	9/1982	Feinbloom et al.	
D274,758 S	7/1984	Shing	
D275,523 S	9/1984	Ader	
D296,719 S	7/1988	Lester	
4,794,496 A	12/1988	Lanes et al.	
D300,868 S	4/1989	Conforti	
4,827,384 A	5/1989	Von Schlemmer	
4,916,596 A	4/1990	Sharrah et al.	
4,945,458 A	7/1990	Batts et al.	
D318,338 S	7/1991	Mitchell	
D320,667 S	10/1991	Smith	

5,117,510 A	6/1992	Broussard et al.
5,154,483 A	10/1992	Zeller
D337,838 S	7/1993	Van Der Bel
5,363,291 A	11/1994	Steiner
D362,080 S	9/1995	Lehrer et al.
5,463,538 A	10/1995	Womack
5,541,816 A	7/1996	Miserendino
D373,433 S	9/1996	Feinbloom
D383,229 S	9/1997	Kiichiro
5,680,718 A	10/1997	Ratcliffe et al.
5,738,431 A	4/1998	Lary
5,741,060 A	4/1998	Johnson
5,743,621 A	4/1998	Mantha et al.
D399,580 S	10/1998	Feinbloom
D405,202 S	2/1999	Fattori et al.
5,894,604 A	4/1999	Crabb et al.
D426,330 S	6/2000	Cramer

(Continued)

*Primary Examiner*—Ian Simmons

*Assistant Examiner*—Dana L Sipos

(74) *Attorney, Agent, or Firm*—Hoffberg & Associates

(57) **CLAIM**

The ornamental design for module with a plurality of illuminating elements, as shown and described.

**DESCRIPTION**

FIG. 1 is a top, front left side perspective view of a module with a plurality of illuminating elements showing my new design;

FIG. 2 is a left side elevation view thereof, the right side elevation view being a mirror image;

FIG. 3 is a rear elevation view thereof;

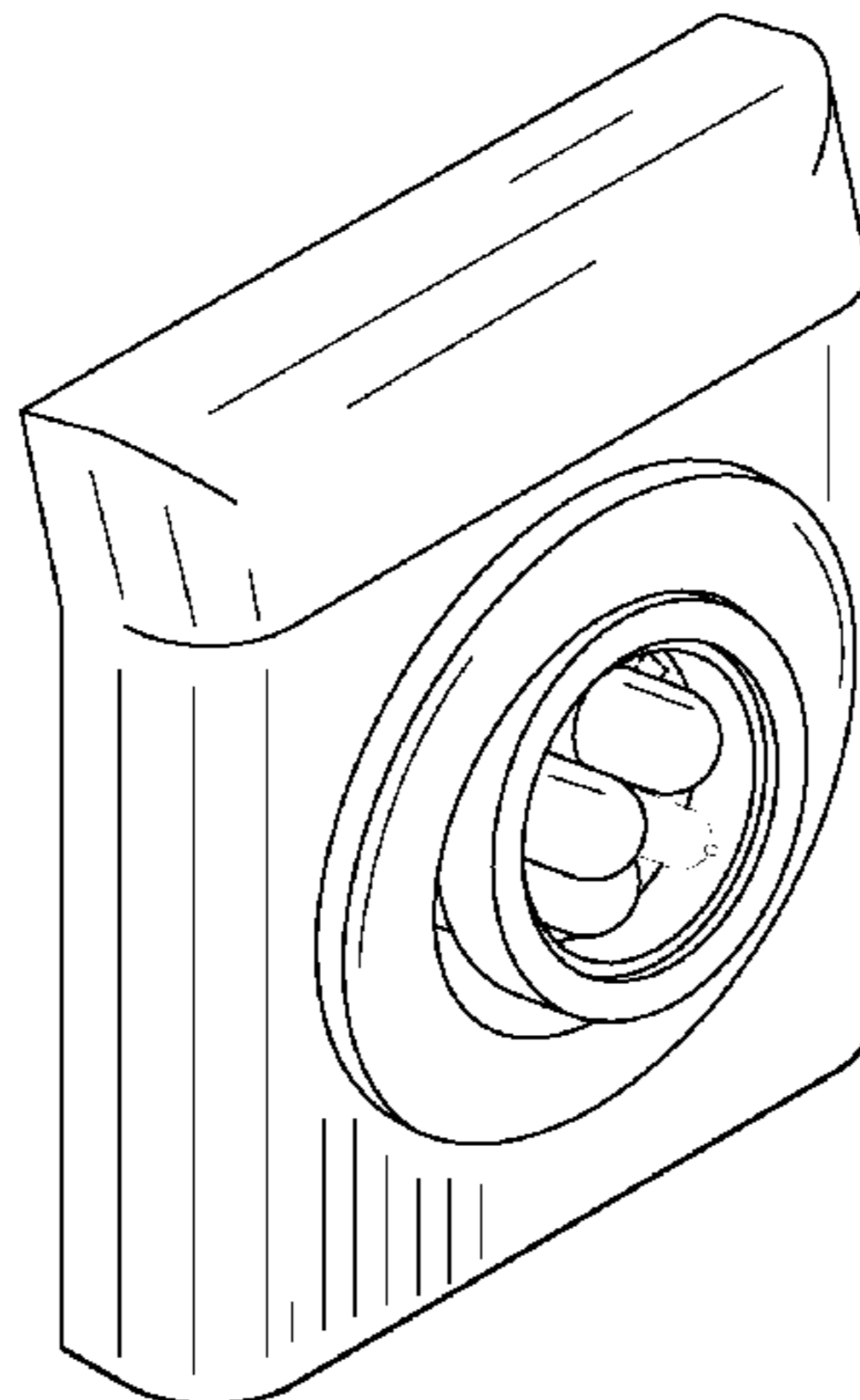
FIG. 4 is a front elevation view thereof;

FIG. 5 is a top plan view thereof; and,

FIG. 6 is a bottom plan view thereof.

Elements of the drawings shown in broken lines do not constitute a part of the claimed invention.

**1 Claim, 3 Drawing Sheets**



# US D600,840 S

Page 2

---

## U.S. PATENT DOCUMENTS

6,183,116 B1	2/2001	Harter et al.		6,733,150 B1	5/2004	Hanley
D445,930 S *	7/2001	Se Kit .....	D26/39	D491,713 S	6/2004	Wilson
D447,586 S	9/2001	Shing		6,752,511 B1	6/2004	Cramer
6,467,929 B2	10/2002	Lee		6,895,602 B2	5/2005	Schlapkohl
D470,615 S *	2/2003	Janice et al. ....	D26/39	D506,560 S	6/2005	Oas
D477,680 S *	7/2003	Petzl .....	D26/39	6,932,487 B2	8/2005	Aknine
6,634,031 B1	10/2003	Schlapkohl		7,086,749 B1	8/2006	Hanley
D489,470 S *	5/2004	Yuen .....	D26/39			

\* cited by examiner

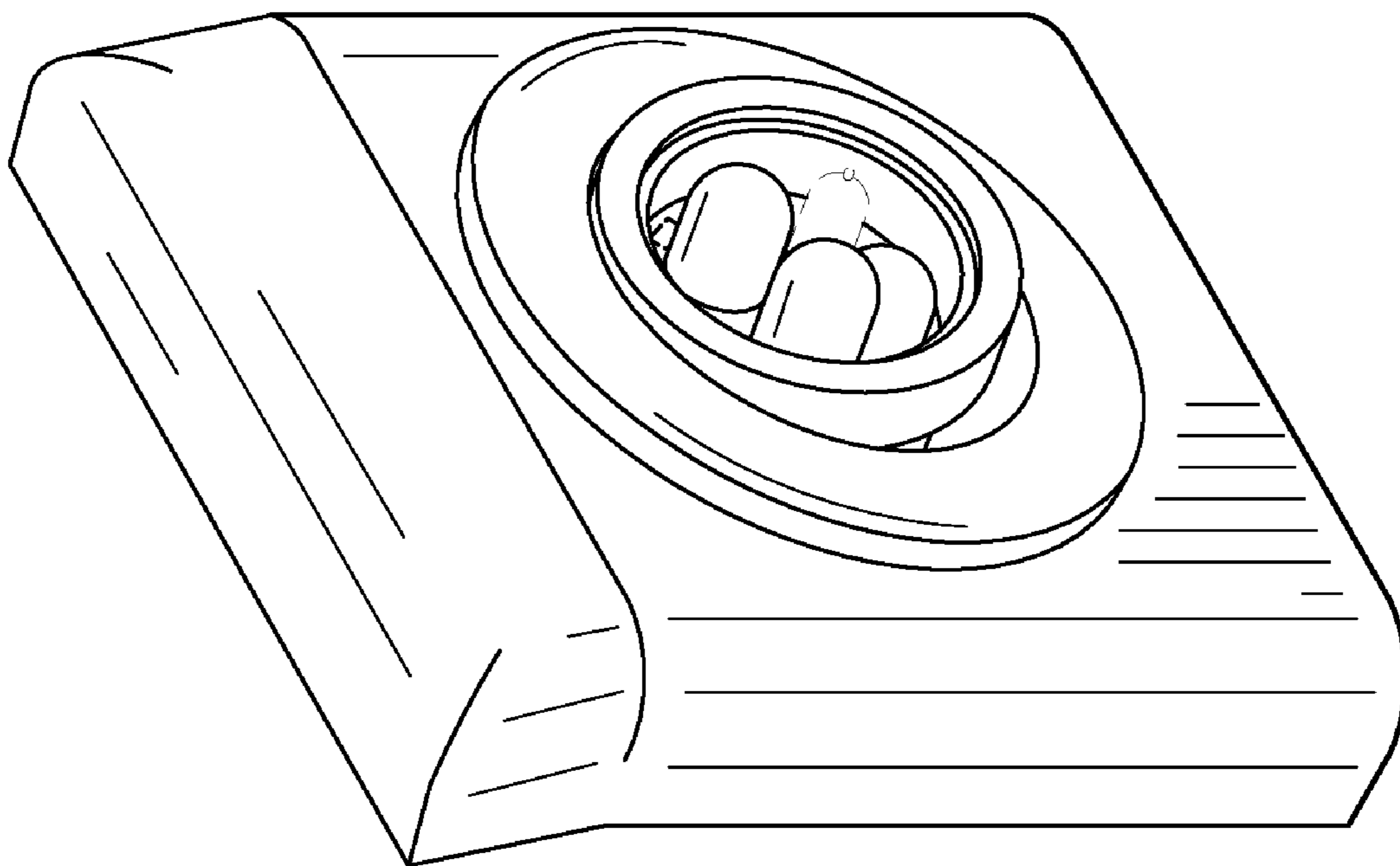


FIG. 1

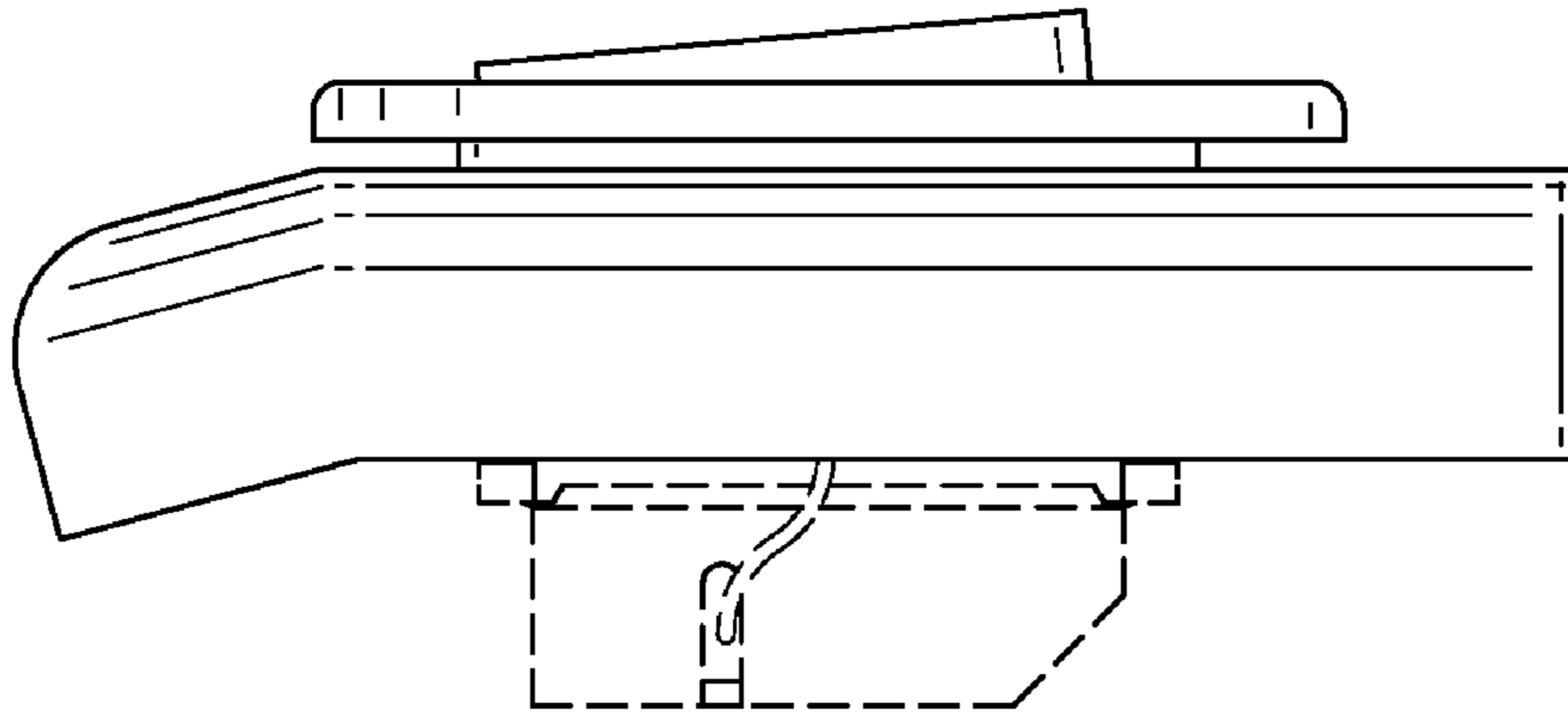


FIG. 2

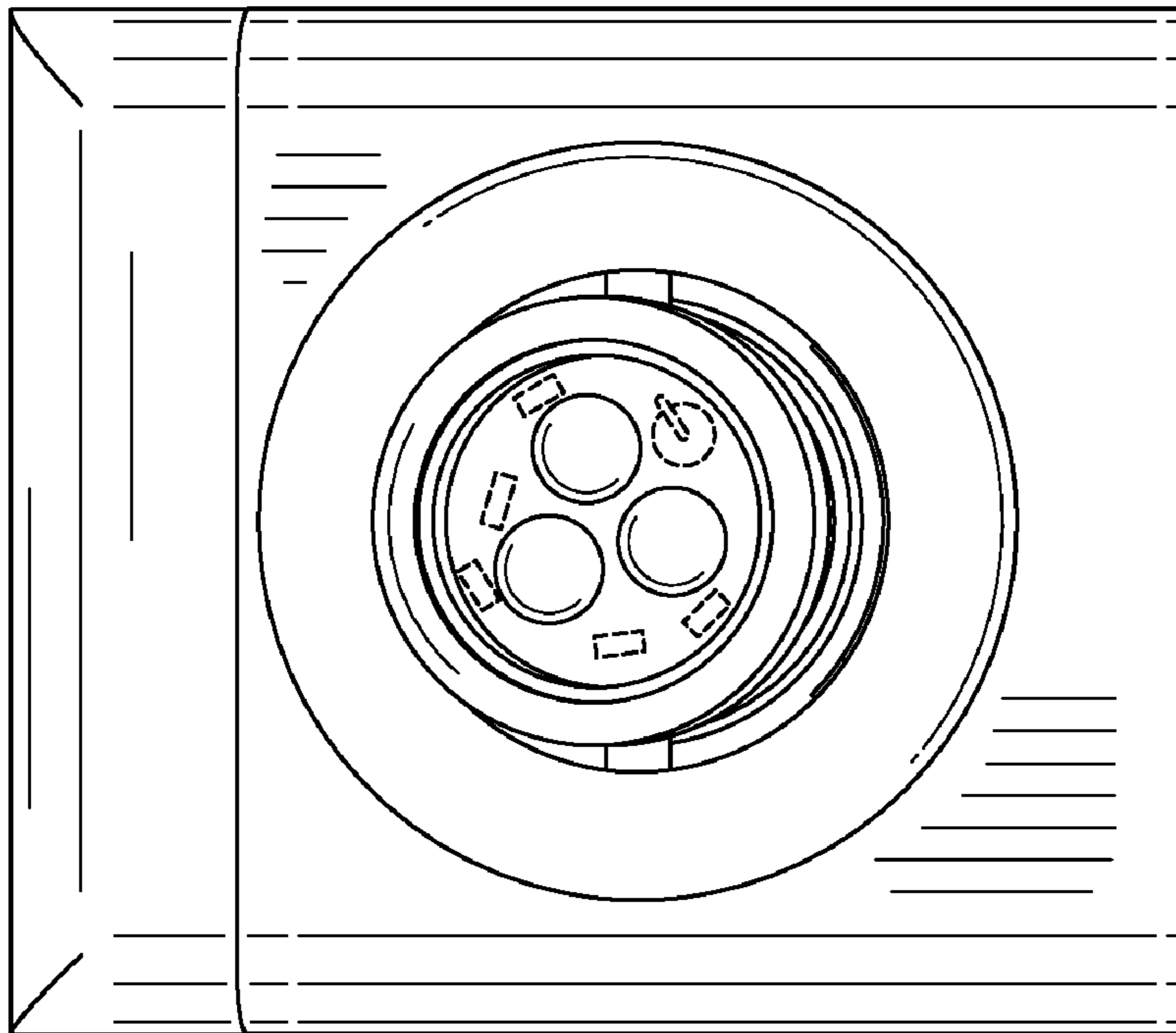


FIG. 4

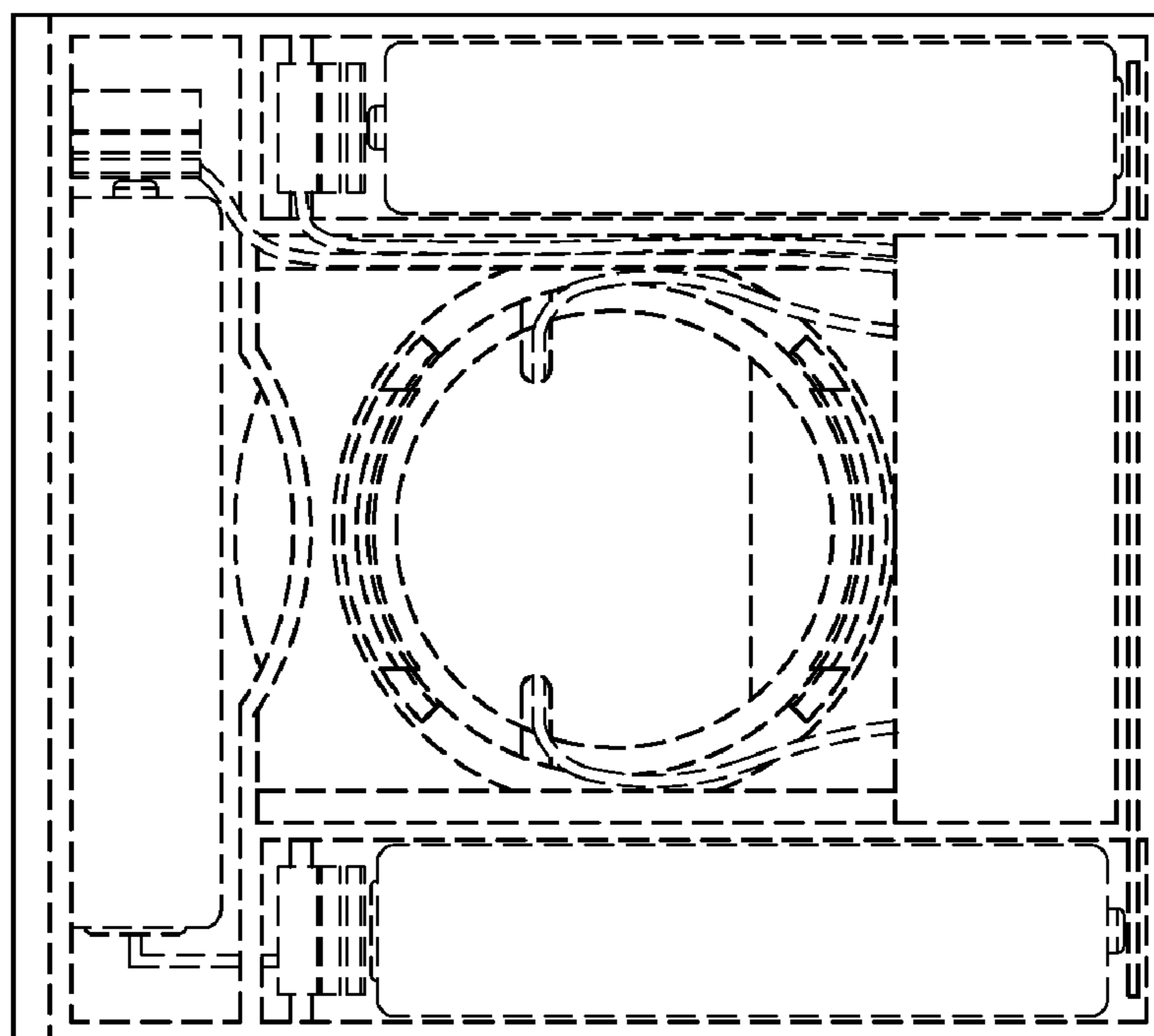


FIG. 3

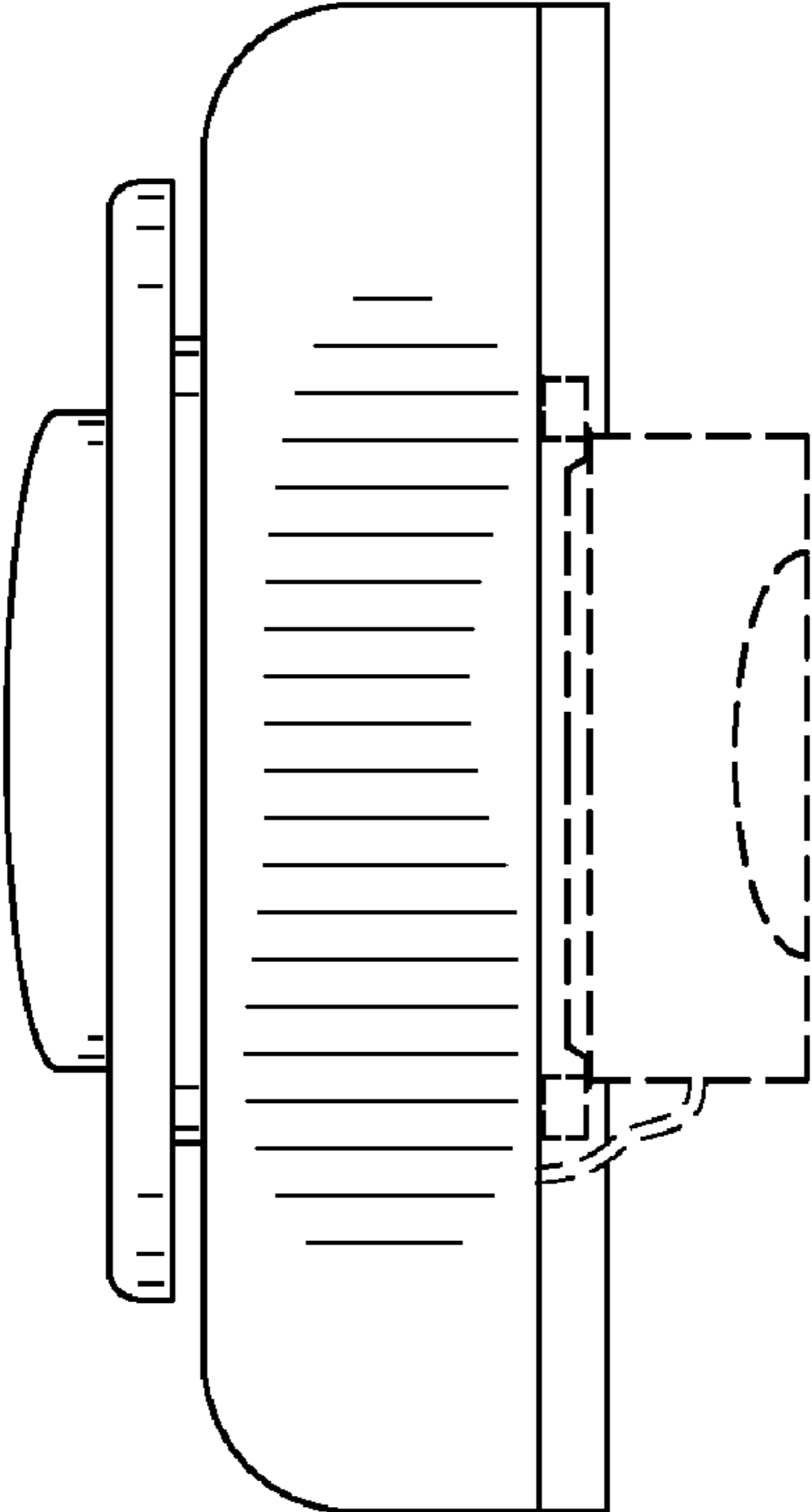


FIG. 5

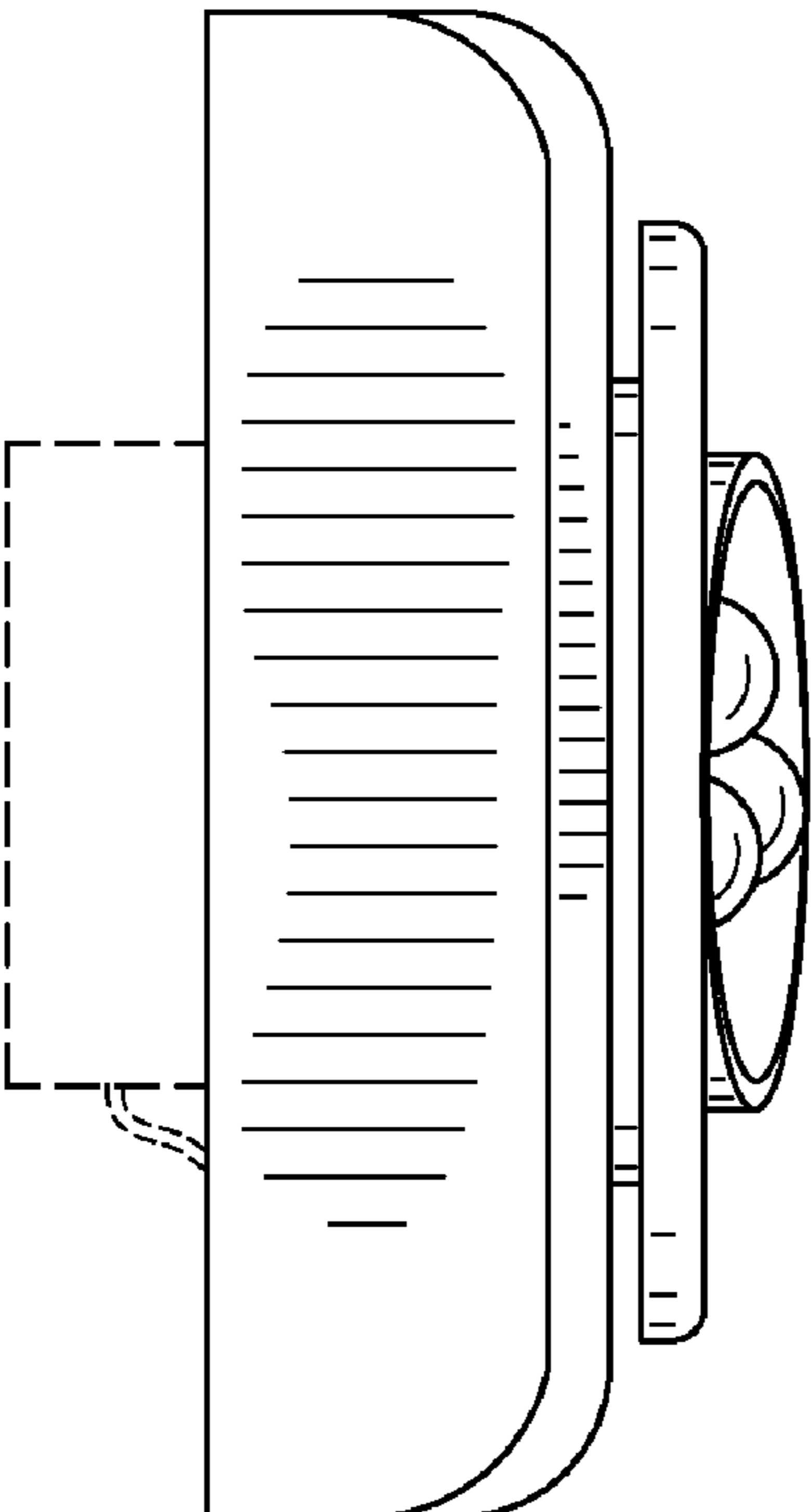


FIG. 6