



US00D600839S

(12) **United States Design Patent**
Yagihashi

(10) **Patent No.:** **US D600,839 S**

(45) **Date of Patent:** **** Sep. 22, 2009**

(54) **FRONT COMBINATION LAMP FOR AN
AUTOMOBILE**

D561,358 S * 2/2008 Tachibana D26/28
D563,576 S * 3/2008 Hanaoka D26/28

(75) Inventor: **Shingo Yagihashi**, Saitama (JP)

* cited by examiner

(73) Assignee: **Honda Motor Co., Ltd.**, Tokyo (JP)

Primary Examiner—Marcus A Jackson

(**) Term: **14 Years**

(74) *Attorney, Agent, or Firm*—Westerman, Hattori, Daniels
& Adrian, LLP.

(21) Appl. No.: **29/326,074**

(57) **CLAIM**

(22) Filed: **Oct. 10, 2008**

The ornamental design for, a front combination lamp for an
automobile, as shown and described.

(30) **Foreign Application Priority Data**

Apr. 14, 2008 (JP) 2008-009432

DESCRIPTION

(51) **LOC (9) Cl.** **26-06**

(52) **U.S. Cl.** **D26/28**

(58) **Field of Classification Search** D26/28-36;
362/459-468, 475-478, 485-487
See application file for complete search history.

FIG. 1 is a perspective view of a front combination lamp for
an automobile, showing our new design;

FIG. 2 is a front elevation view thereof;

FIG. 3 is a top plan view thereof; and,

FIG. 4 is a left side elevation view thereof.

The broken lines are for illustrative purposes only and form
no part of the claimed design.

(56) **References Cited**

U.S. PATENT DOCUMENTS

D560,291 S * 1/2008 Koyama D26/28

D560,832 S * 1/2008 Hsu D26/28

1 Claim, 4 Drawing Sheets

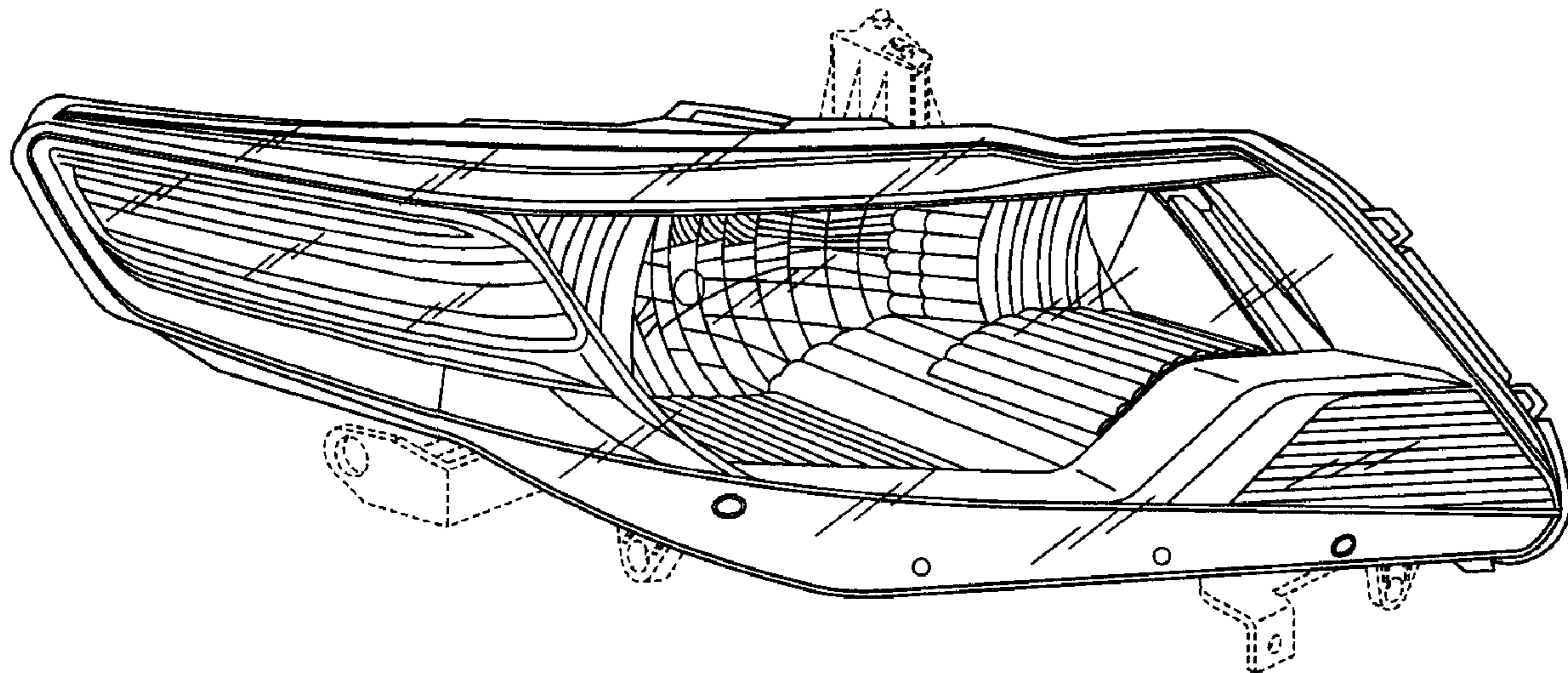


Fig1

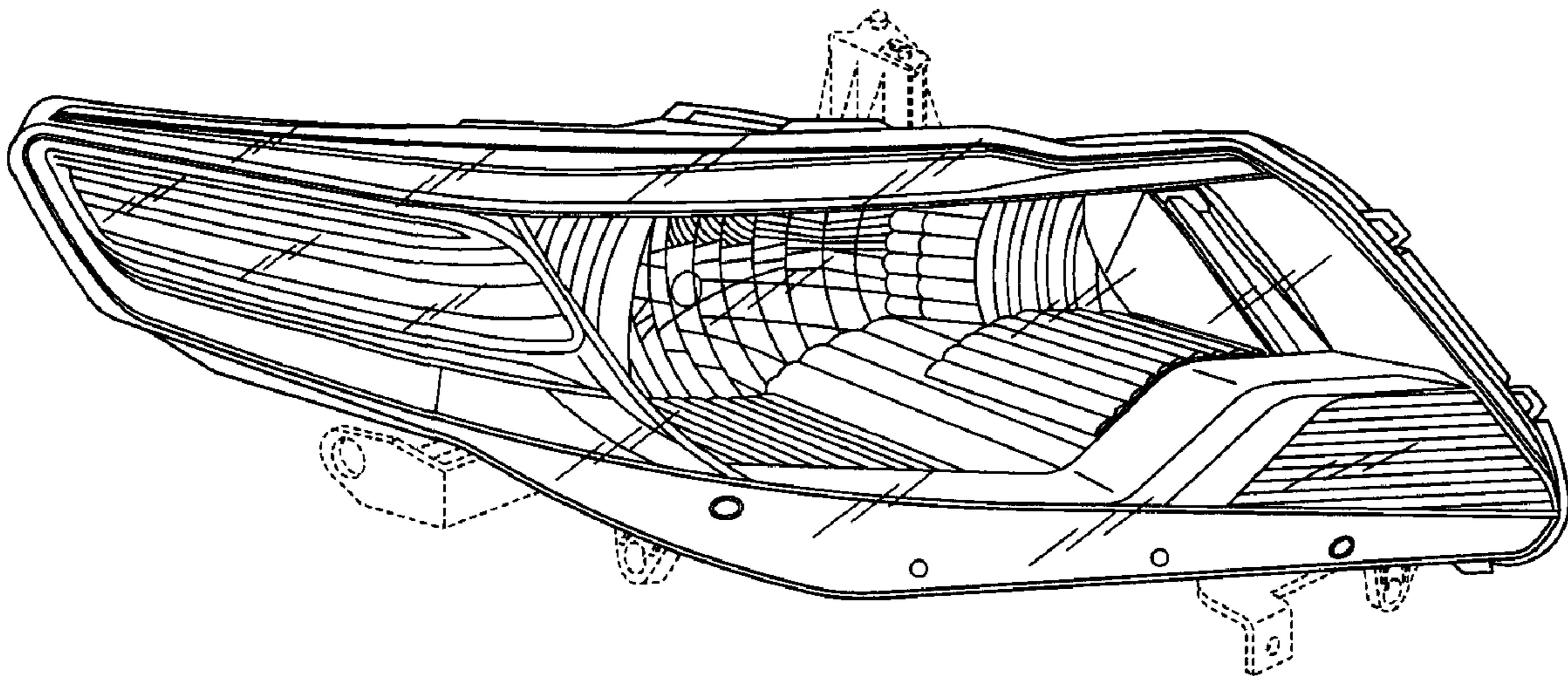


Fig2

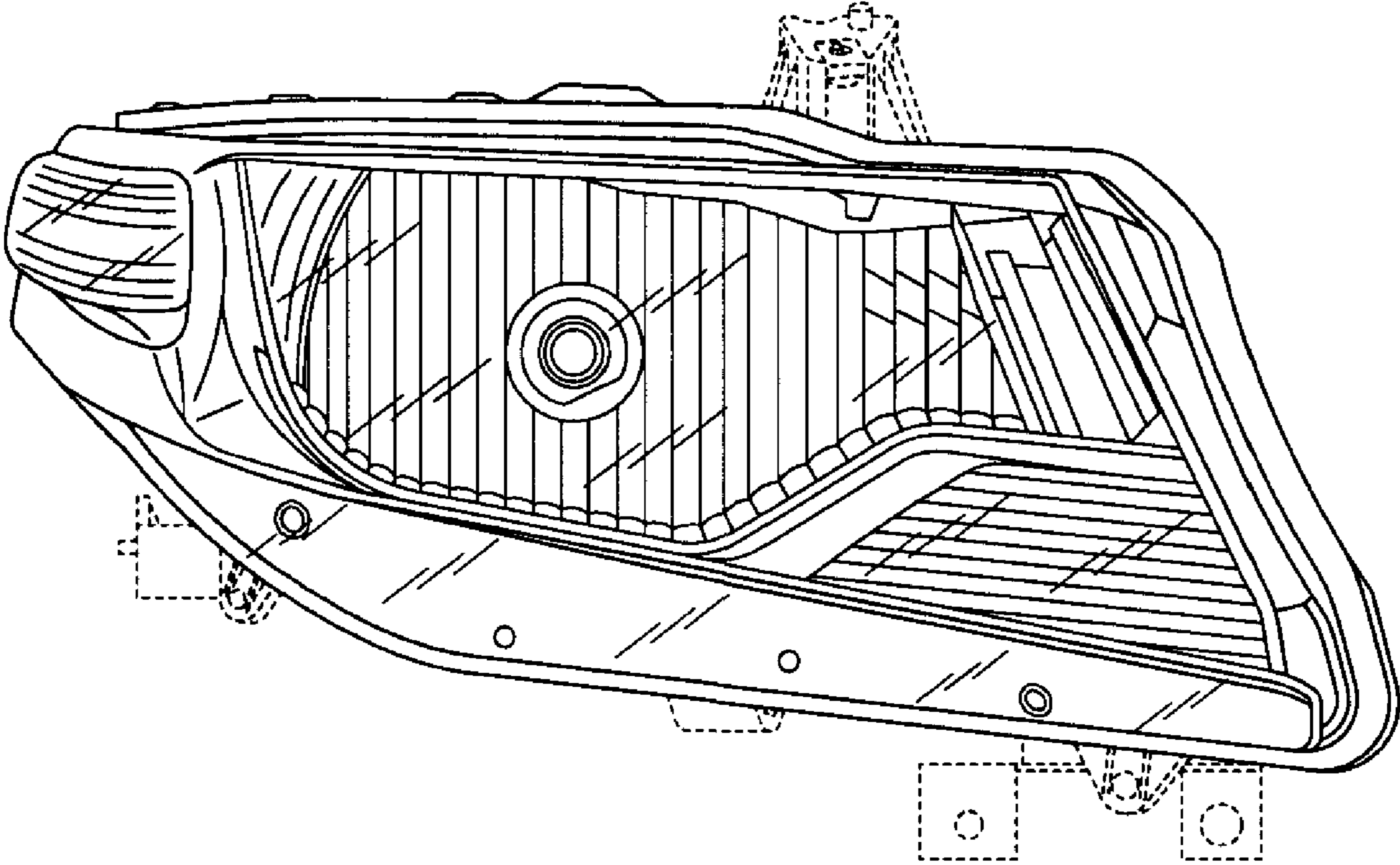


Fig3

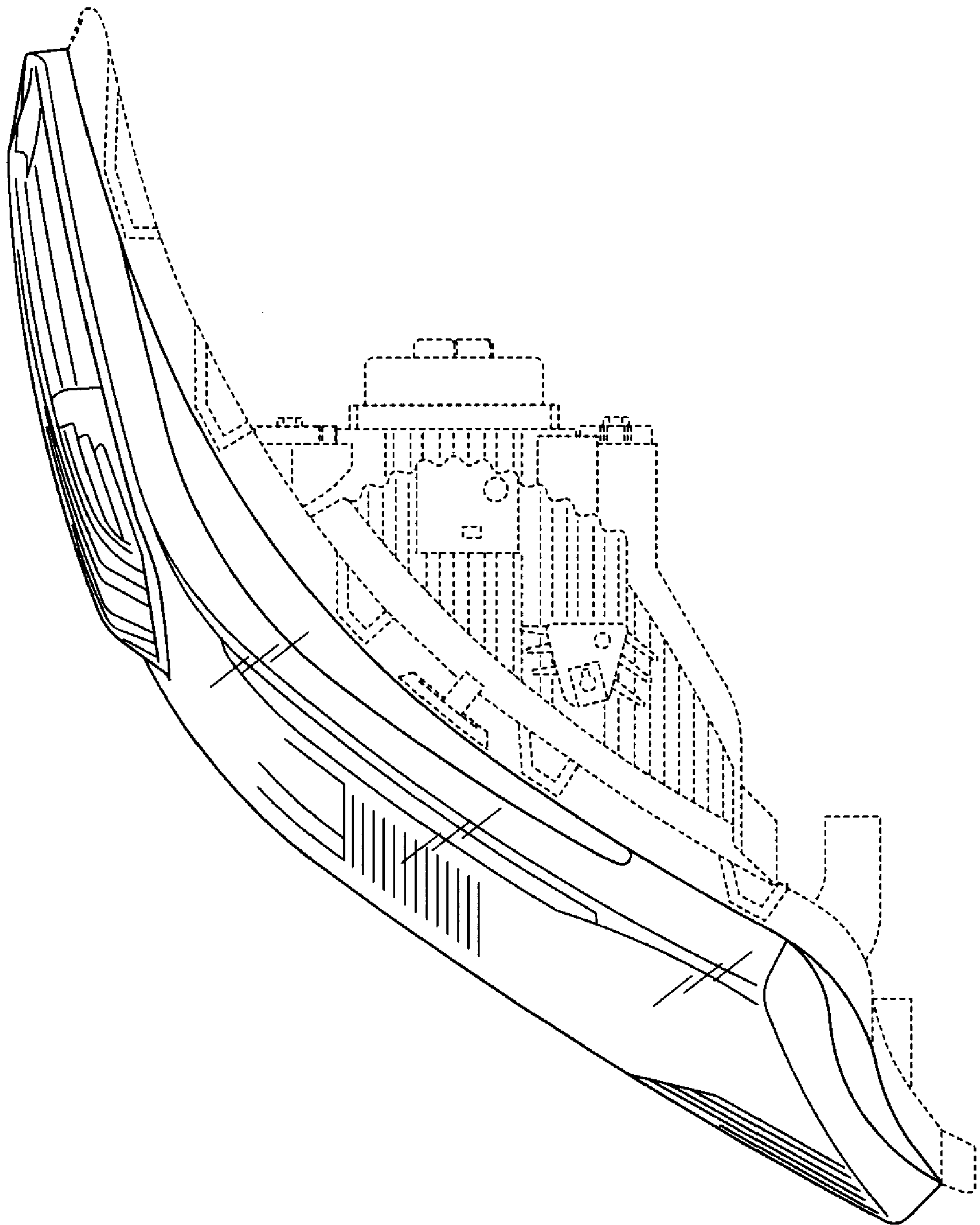


Fig4

