



US00D600838S

(12) **United States Design Patent**  
**Kuboshima et al.**

(10) **Patent No.:** **US D600,838 S**

(45) **Date of Patent:** **\*\* Sep. 22, 2009**

(54) **HEADLIGHT OF MOTORCYCLES**

*Primary Examiner*—Marcus A. Jackson  
(74) *Attorney, Agent, or Firm*—Arent Fox LLP

(75) Inventors: **Kenichiro Kuboshima**, Wako (JP);  
**Yumio Shibata**, Wako (JP)

(57) **CLAIM**

(73) Assignee: **Honda Giken Kogyo Kabushiki Kaisha**, Tokyo (JP)

The ornamental design for a headlight of motorcycles, as shown and described.

(\*\*) Term: **14 Years**

**DESCRIPTION**

(21) Appl. No.: **29/179,749**

FIG. 1: a front view of a headlight showing my new design.

(22) Filed: **Apr. 15, 2003**

FIG. 2: a rear view thereof.

(30) **Foreign Application Priority Data**

FIG. 3: a left side thereof.

Oct. 15, 2002 (JP) ..... 2002-028077

FIG. 4: a right side view thereof.

(51) **LOC (9) Cl.** ..... **26-06**

FIG. 5: a plan view of thereof.

(52) **U.S. Cl.** ..... **D26/28**

FIG. 6: a bottom view thereof.

(58) **Field of Classification Search** ..... D26/28-36;  
362/459-468, 475-478, 485-487

FIG. 7: a front perspective view thereof seen from the left side.

See application file for complete search history.

FIG. 8: a front perspective view thereof seen from the right side.

(56) **References Cited**

FIG. 9: a rear perspective view thereof seen from the left side; and,

**U.S. PATENT DOCUMENTS**

FIG. 10: a rear perspective view thereof seen from the left side.

D333,879 S \* 3/1993 Tsai ..... D26/28

The broken lines show environment and form no part of the claimed design.

D355,499 S \* 2/1995 Magnusson et al. .... D26/28

D372,995 S \* 8/1996 Huang ..... D26/28

\* cited by examiner

**1 Claim, 5 Drawing Sheets**

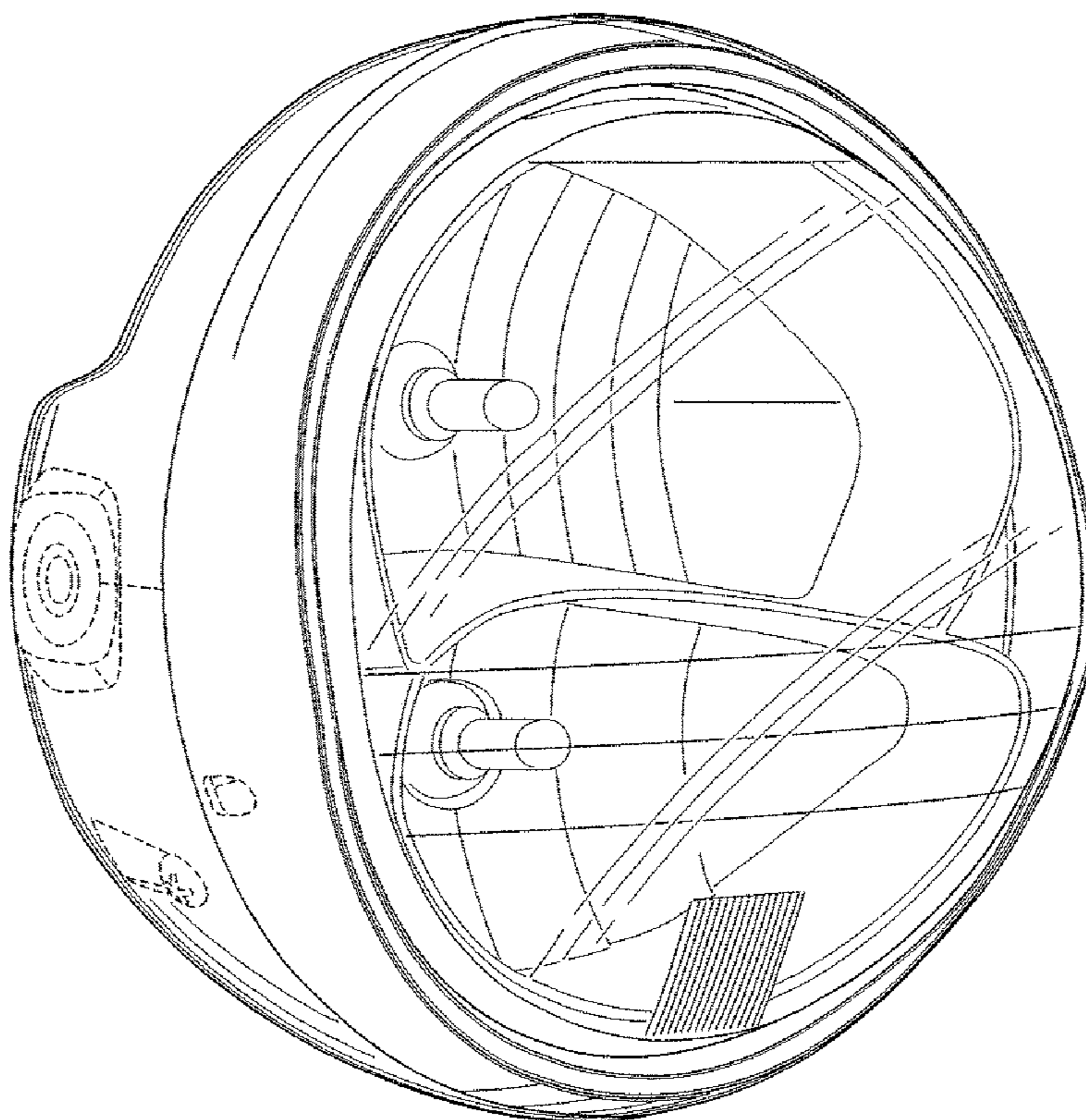


FIG. 1

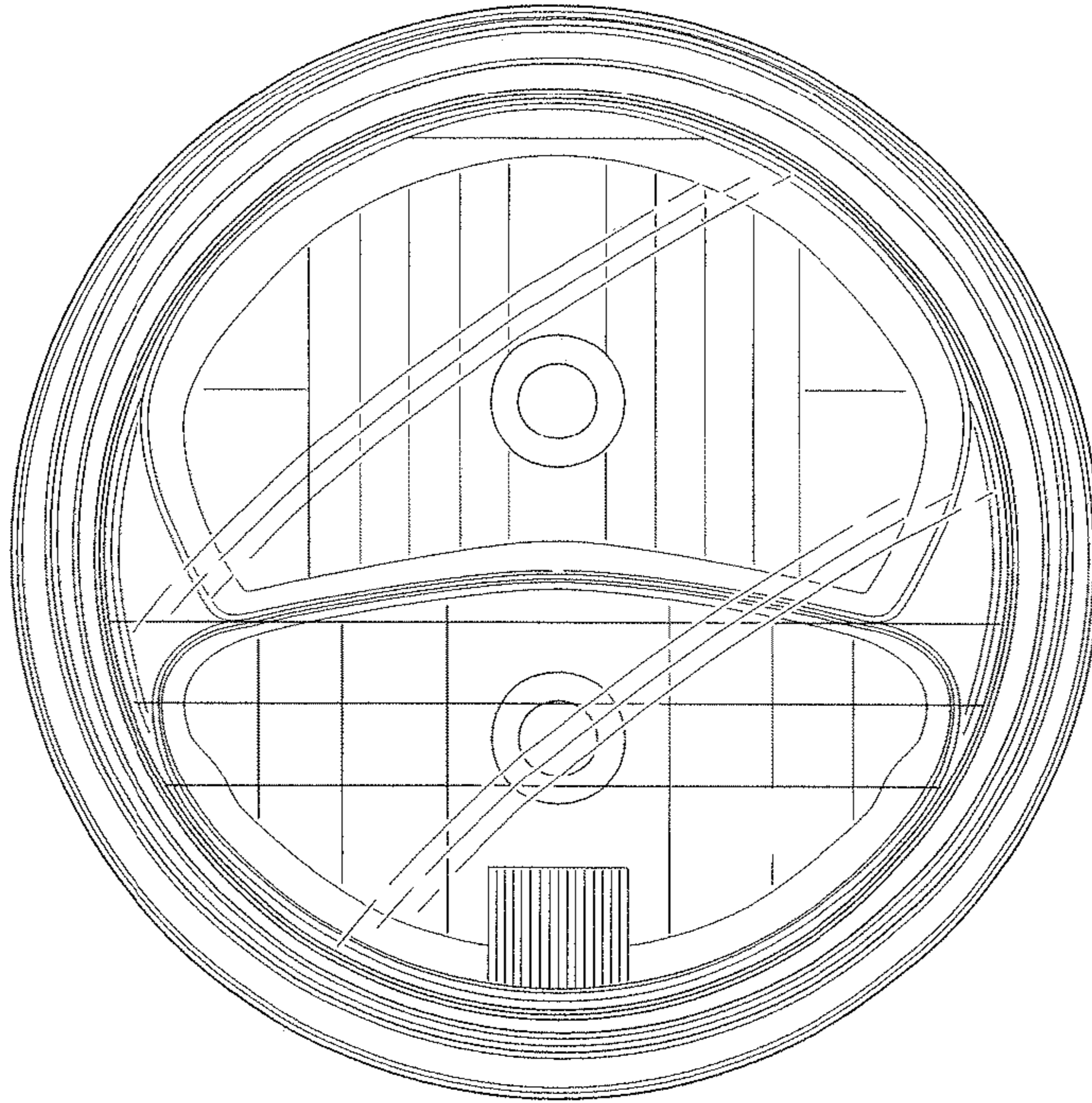


FIG. 2

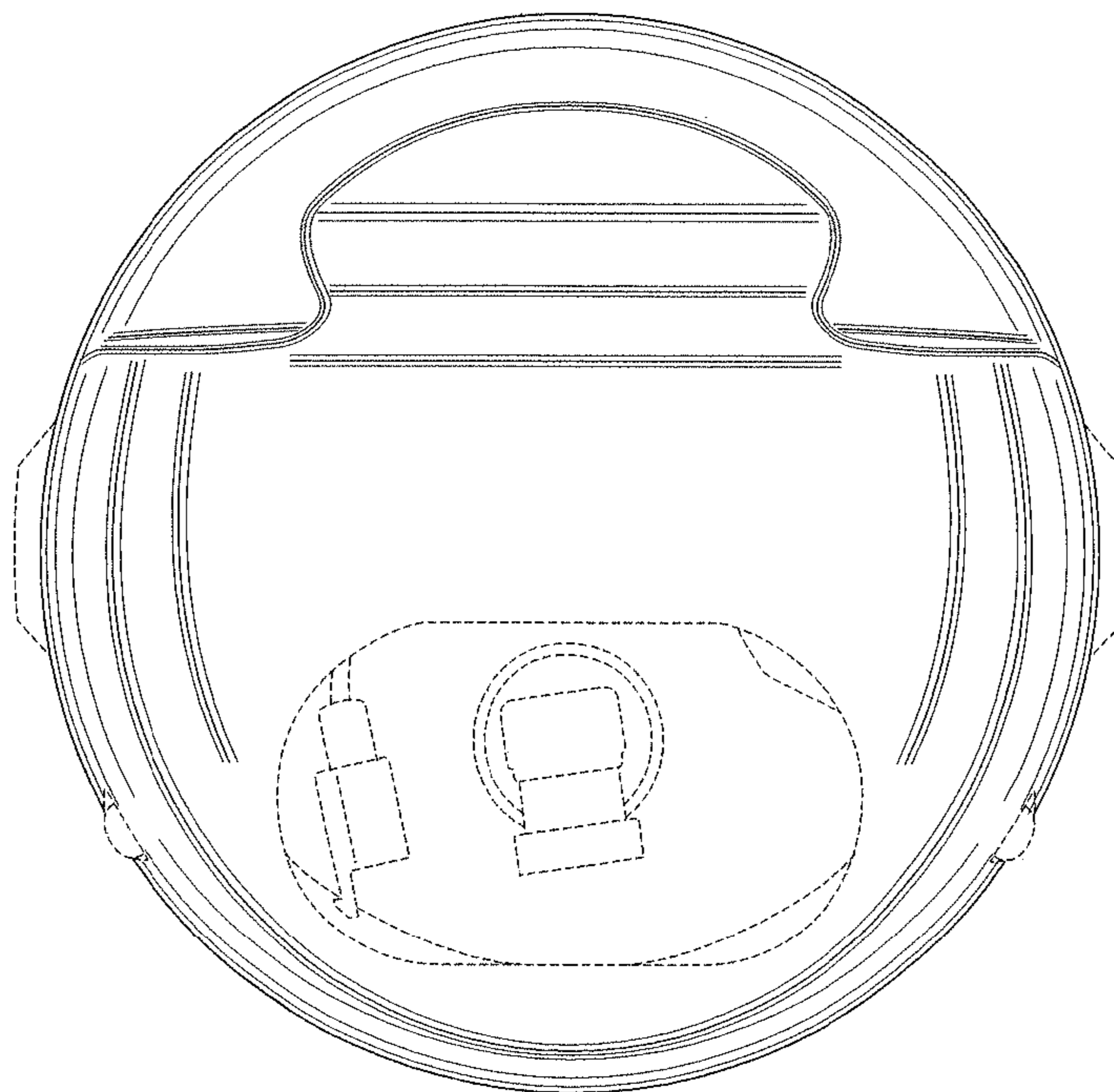


FIG.3

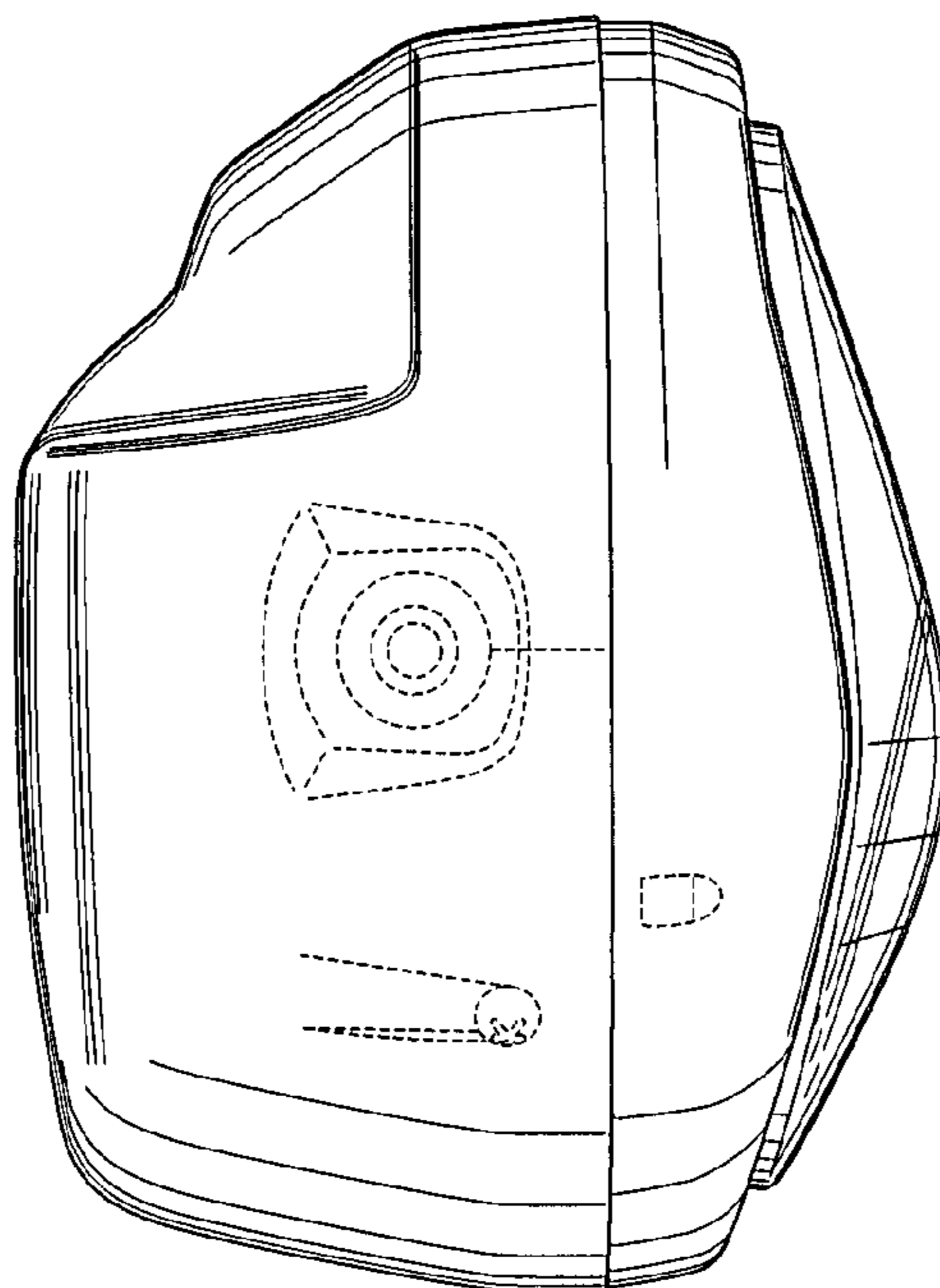


FIG.4

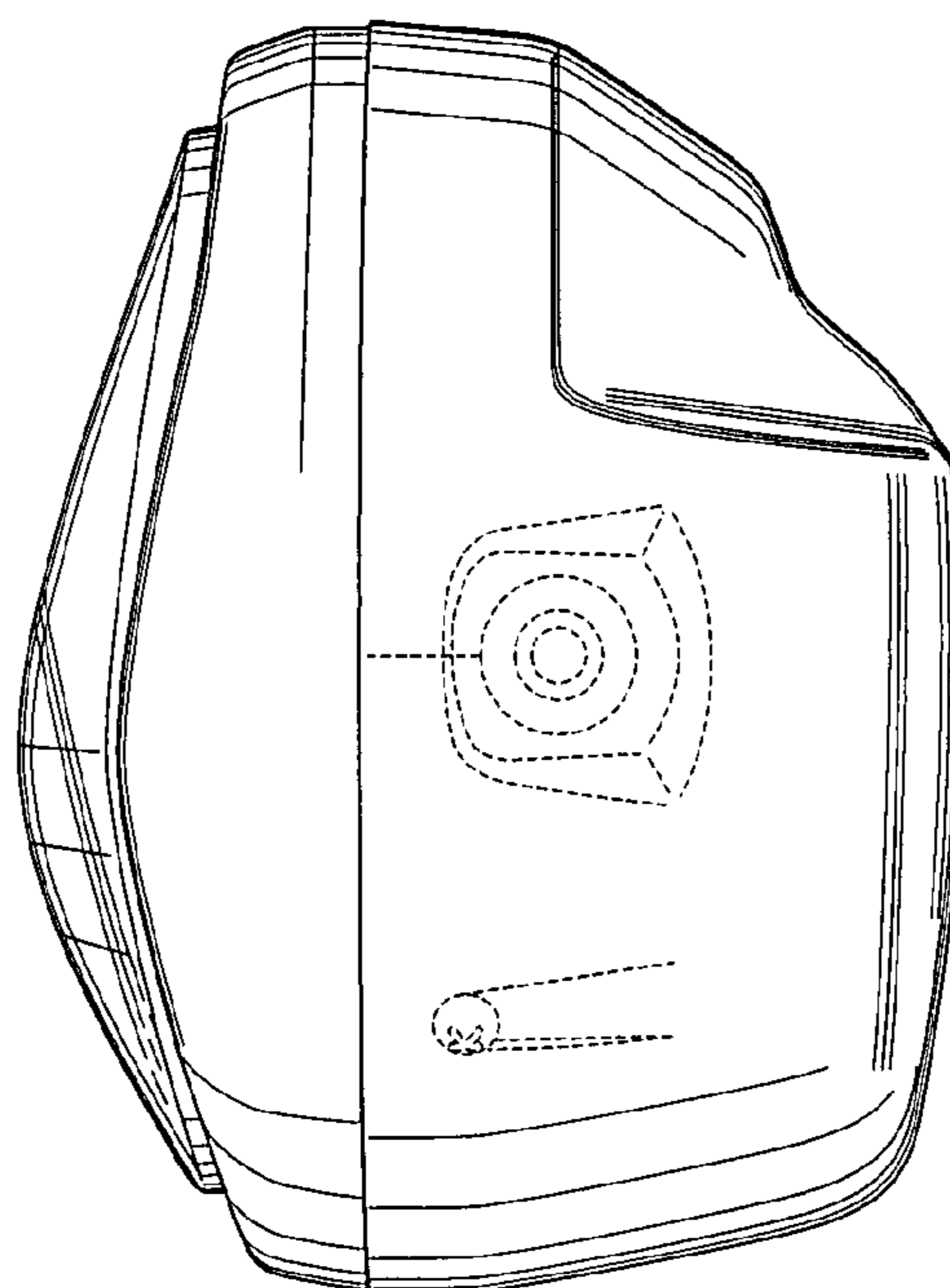


FIG.5

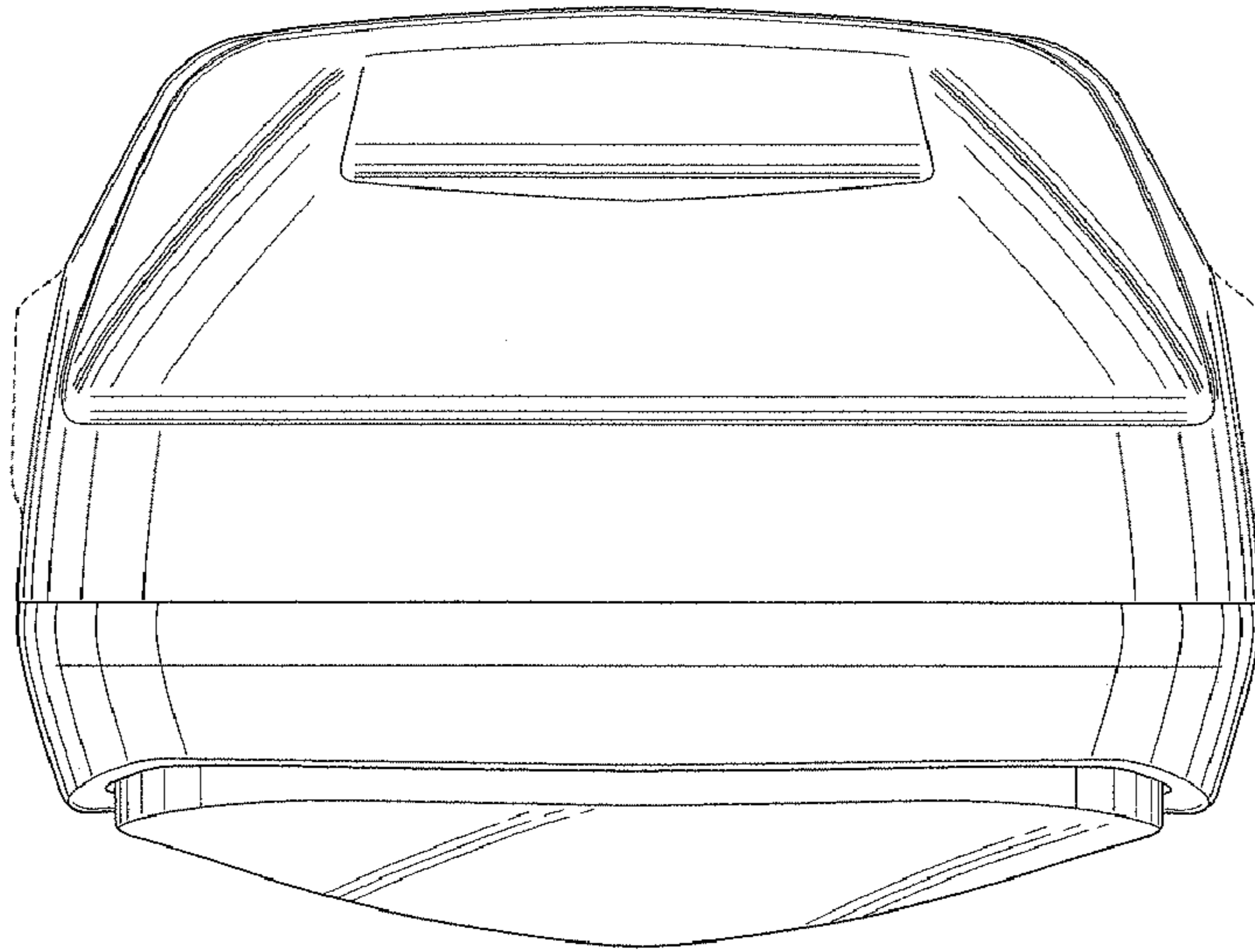


FIG.6

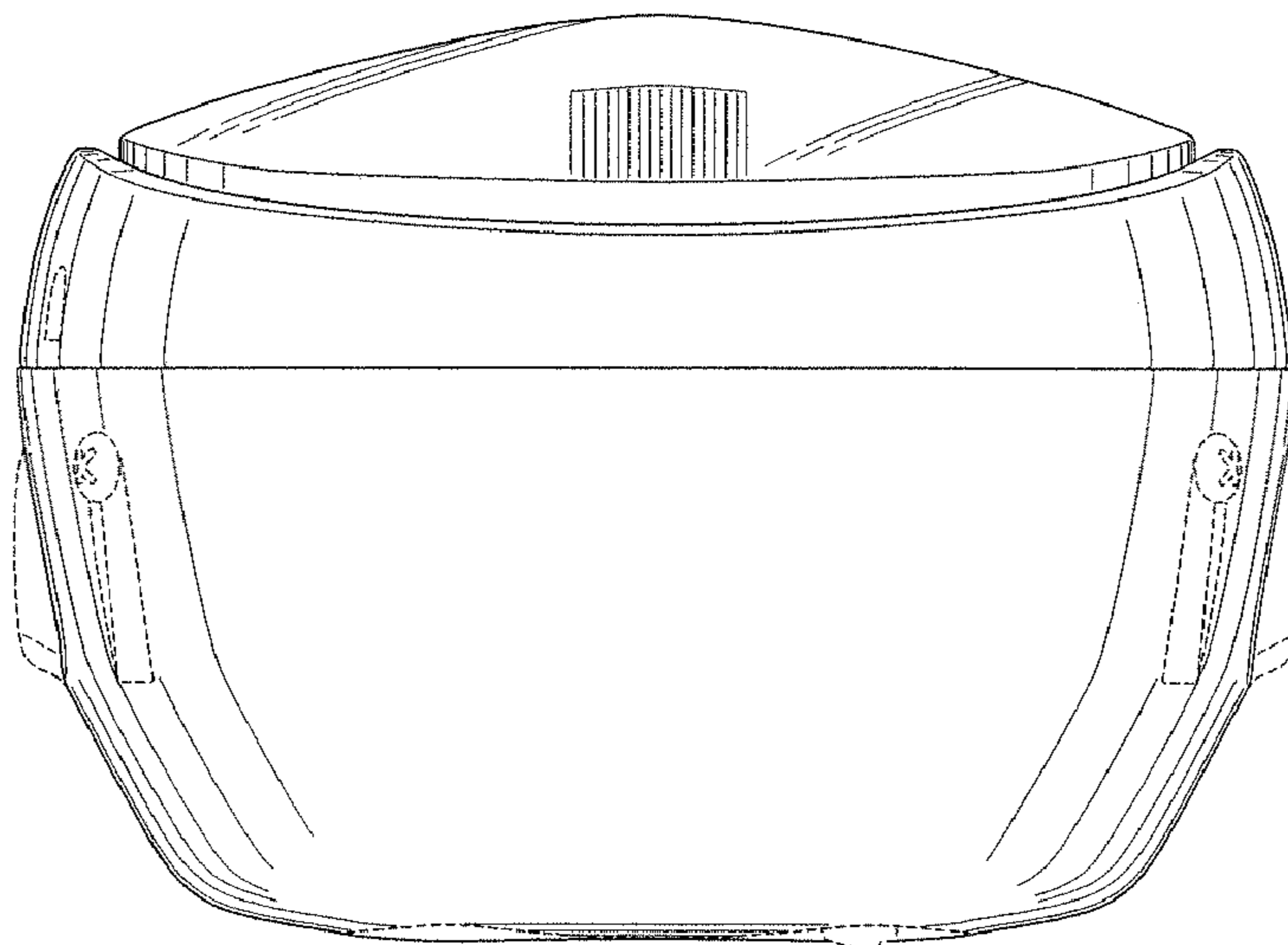


FIG.7

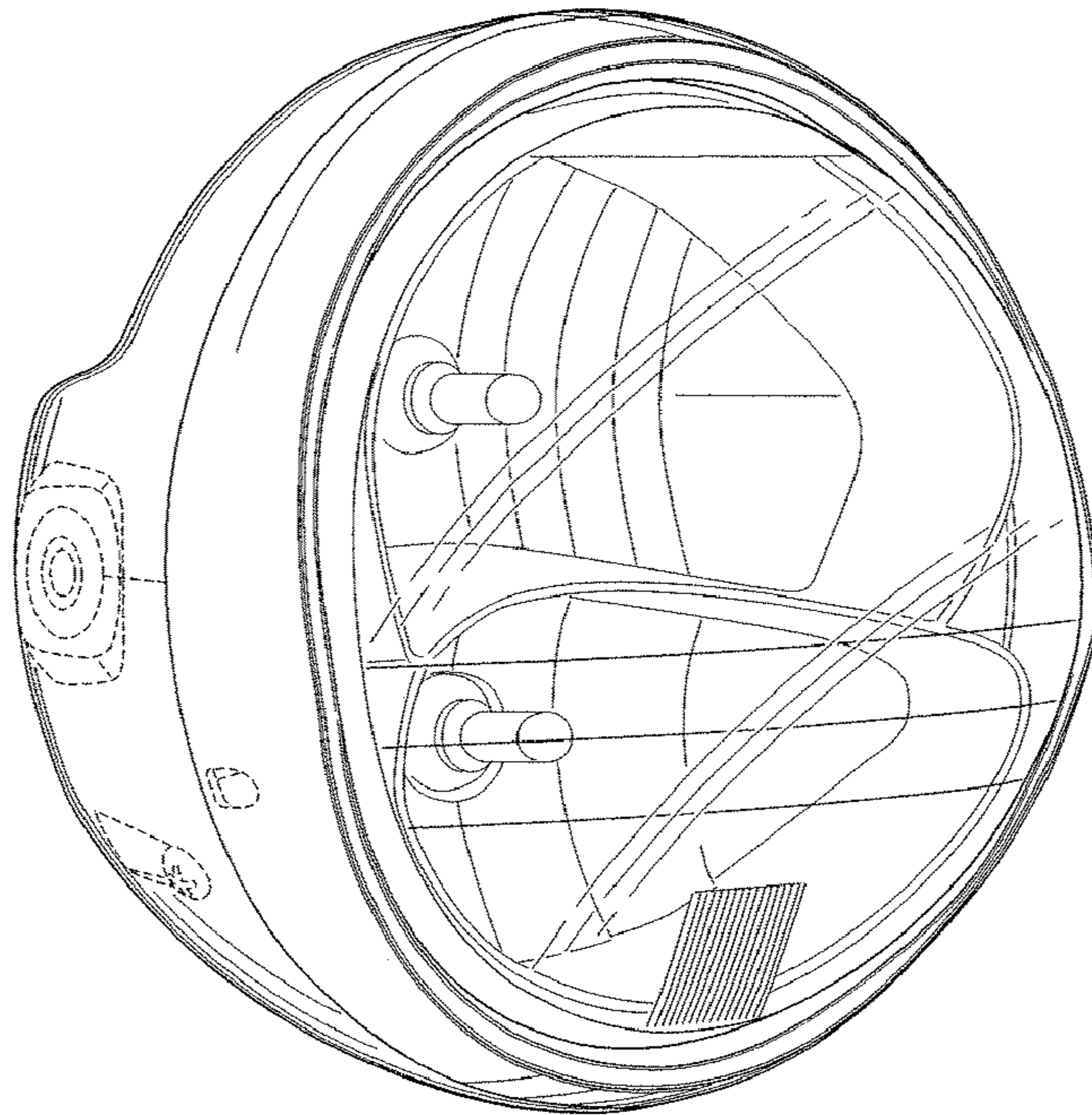


FIG.8

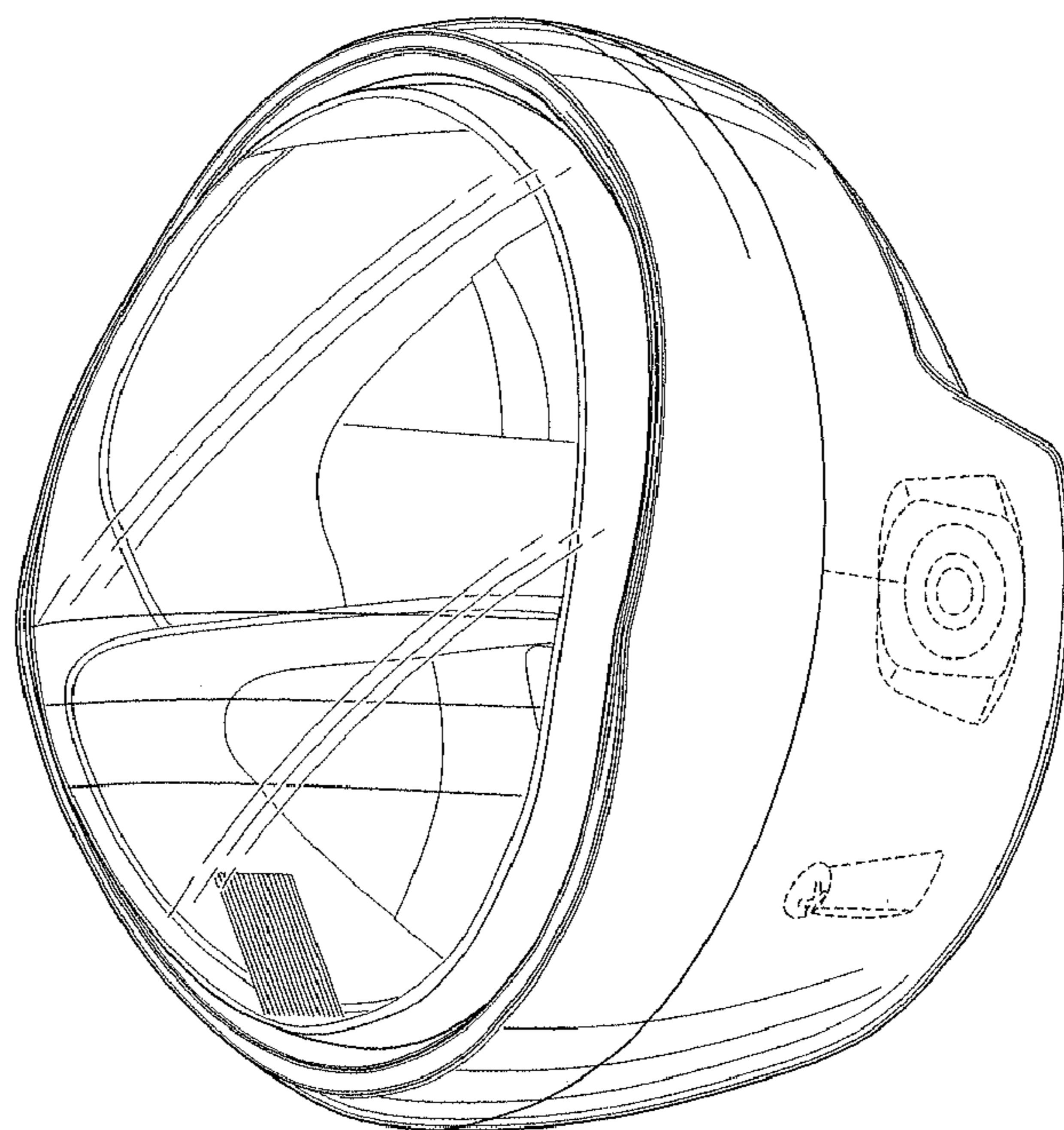


FIG.9

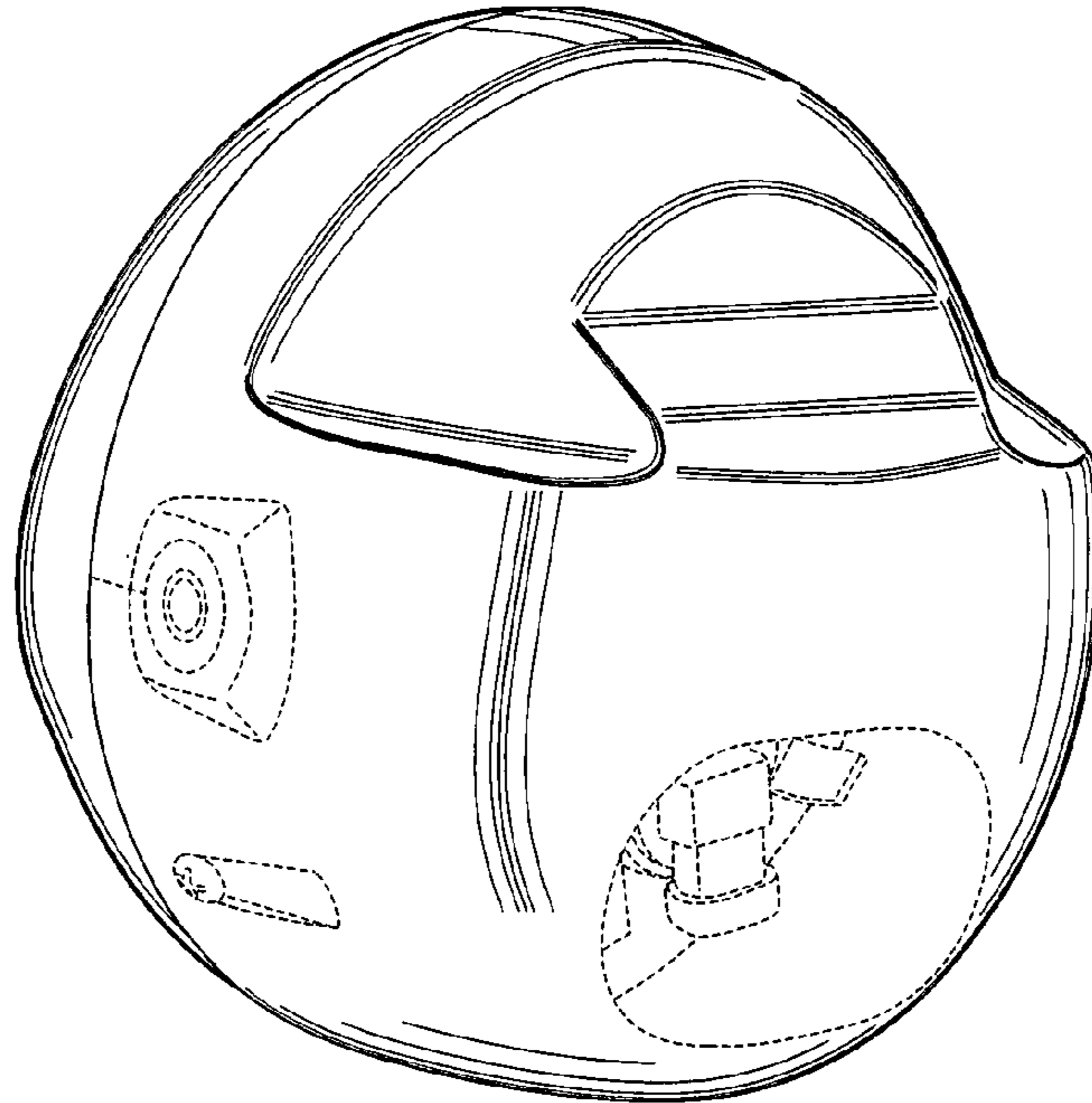


FIG.10

