



US00D600836S

(12) **United States Design Patent**  
**Hanley et al.**

(10) **Patent No.:** **US D600,836 S**  
(45) **Date of Patent:** **\*\* Sep. 22, 2009**

(54) **LED LIGHTING ASSEMBLY**  
(75) Inventors: **Stephen G. Hanley**, East Hampton, CT  
(US); **Eugene A Abel**, Colchester, CT  
(US)  
(73) Assignee: **Electronic Controls Company**, Boise,  
ID (US)  
(\*\*) Term: **14 Years**  
(21) Appl. No.: **29/313,014**  
(22) Filed: **Dec. 1, 2008**

D510,149 S 9/2005 Huang  
D511,020 S 10/2005 Egawa  
D514,530 S 2/2006 Matsui  
D528,672 S 9/2006 Nagai  
D529,203 S 9/2006 Nagai  
D535,037 S 1/2007 Kim  
D544,988 S 6/2007 Benensohn  
D559,432 S 1/2008 Moriyama  
D561,372 S 2/2008 Yan  
D561,373 S 2/2008 Yan  
D574,551 S 8/2008 Park  
D578,226 S 10/2008 West  
D578,671 S 10/2008 Kanayama  
D578,672 S \* 10/2008 Takada et al. .... D26/1  
D580,567 S 11/2008 Mukai

(51) **LOC (9) Cl.** ..... **26-04**  
(52) **U.S. Cl.** ..... **D26/1**  
(58) **Field of Classification Search** ..... D26/1-4;  
313/313, 315, 317, 318, 493; 315/52, 53,  
315/56, 57, 58

See application file for complete search history.

\* cited by examiner

*Primary Examiner*—Marcus A. Jackson

(57) **CLAIM**

The ornamental design for a LED lighting assembly, as shown and described.

(56) **References Cited**

U.S. PATENT DOCUMENTS

D440,513 S 4/2001 Smith  
D441,678 S 5/2001 Lyons  
D470,970 S 2/2003 Huang  
D474,303 S 5/2003 Huang  
D474,559 S 5/2003 Huang  
D477,580 S 7/2003 Kamada  
D482,337 S 11/2003 Kamada  
D482,666 S 11/2003 Kamada  
D495,821 S 9/2004 Huang  
D501,272 S 1/2005 Opolka  
D505,662 S 5/2005 Moriyama  
D508,291 S \* 8/2005 Janssen ..... D26/1  
D510,147 S 9/2005 Huang  
D510,148 S 9/2005 Huang

**DESCRIPTION**

FIG. 1 is a perspective view of the primary embodiment of the LED lighting assembly of the present invention.

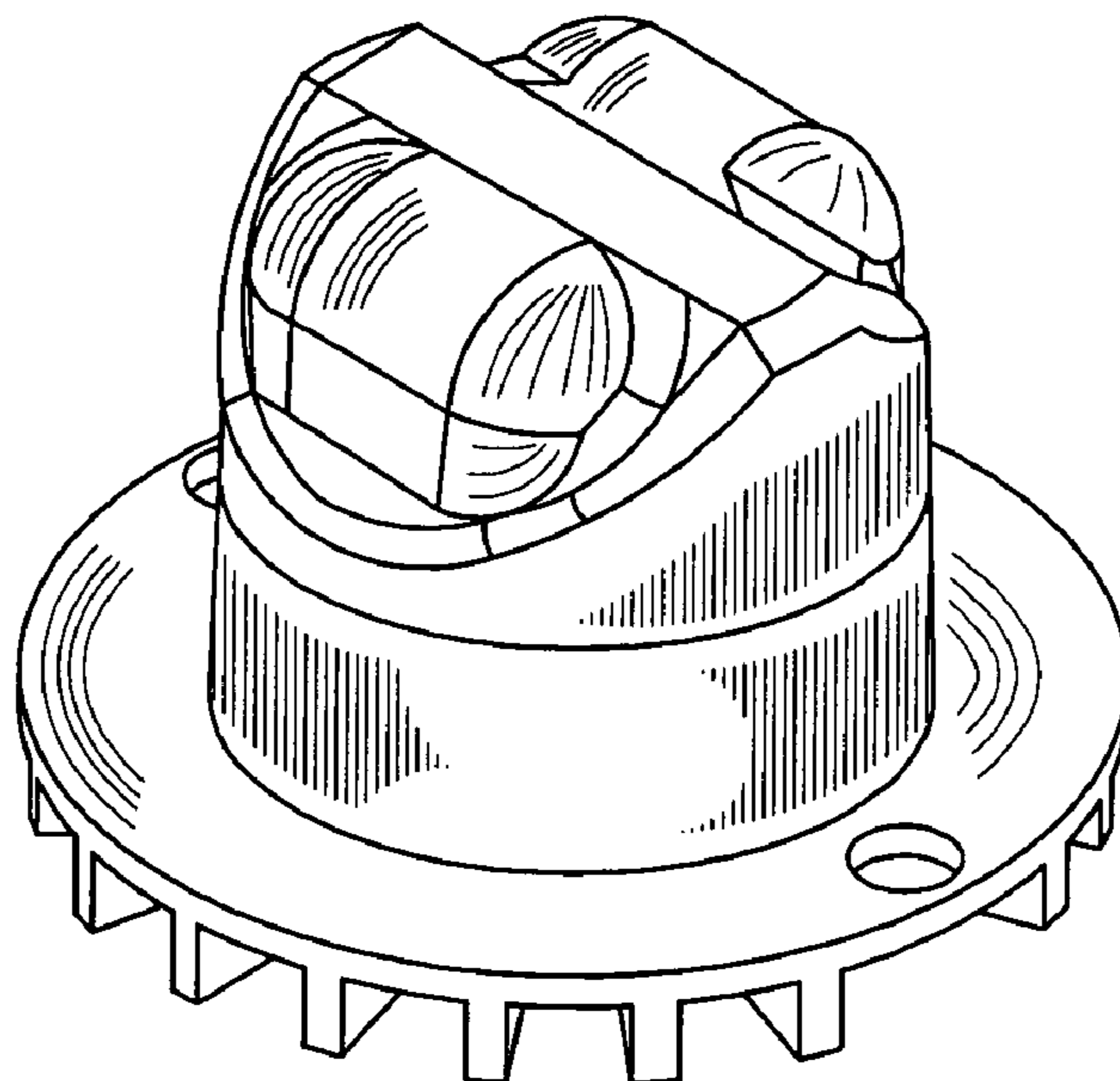
FIG. 2 is a top view of the LED lighting assembly that is identical to the left side view of the apparatus.

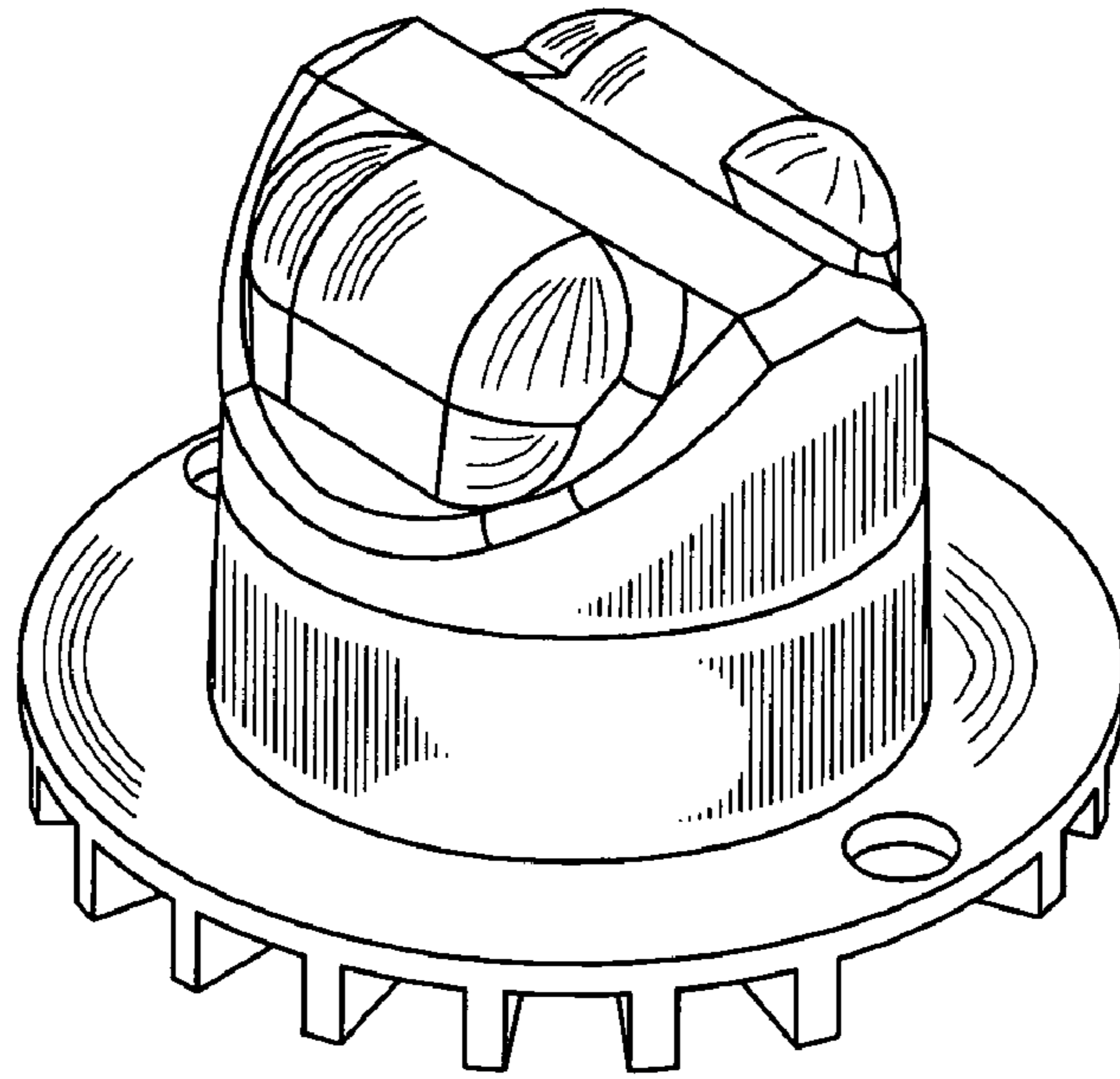
FIG. 3 is a first side view of the LED lighting assembly.

FIG. 4 is a second side view of the LED lighting assembly taken from a side that is disposed at a 90 degree angle with respect to the first side view; and,

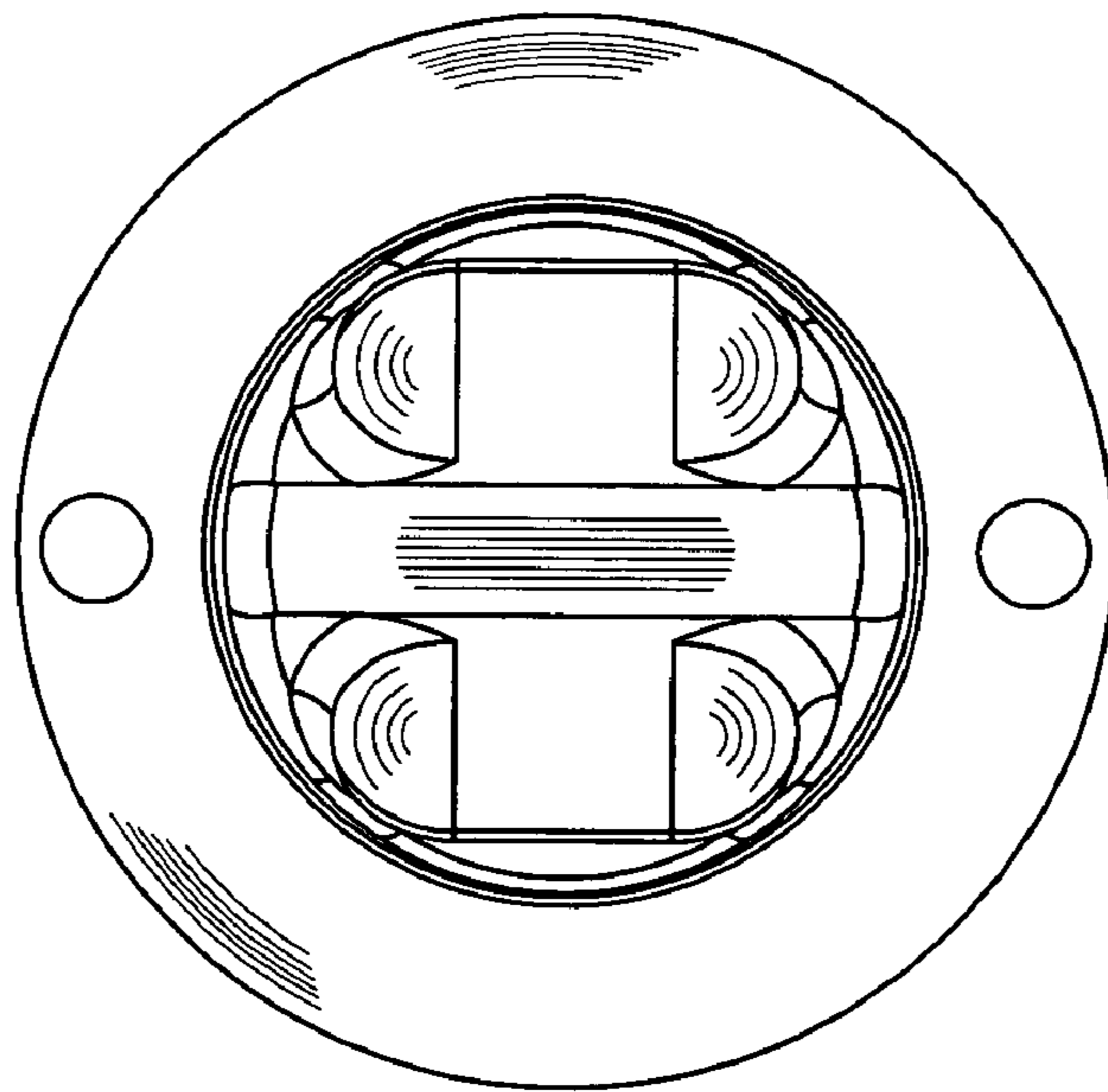
FIG. 5 is a bottom view of the LED lighting assembly in accordance with the present invention.

**1 Claim, 3 Drawing Sheets**

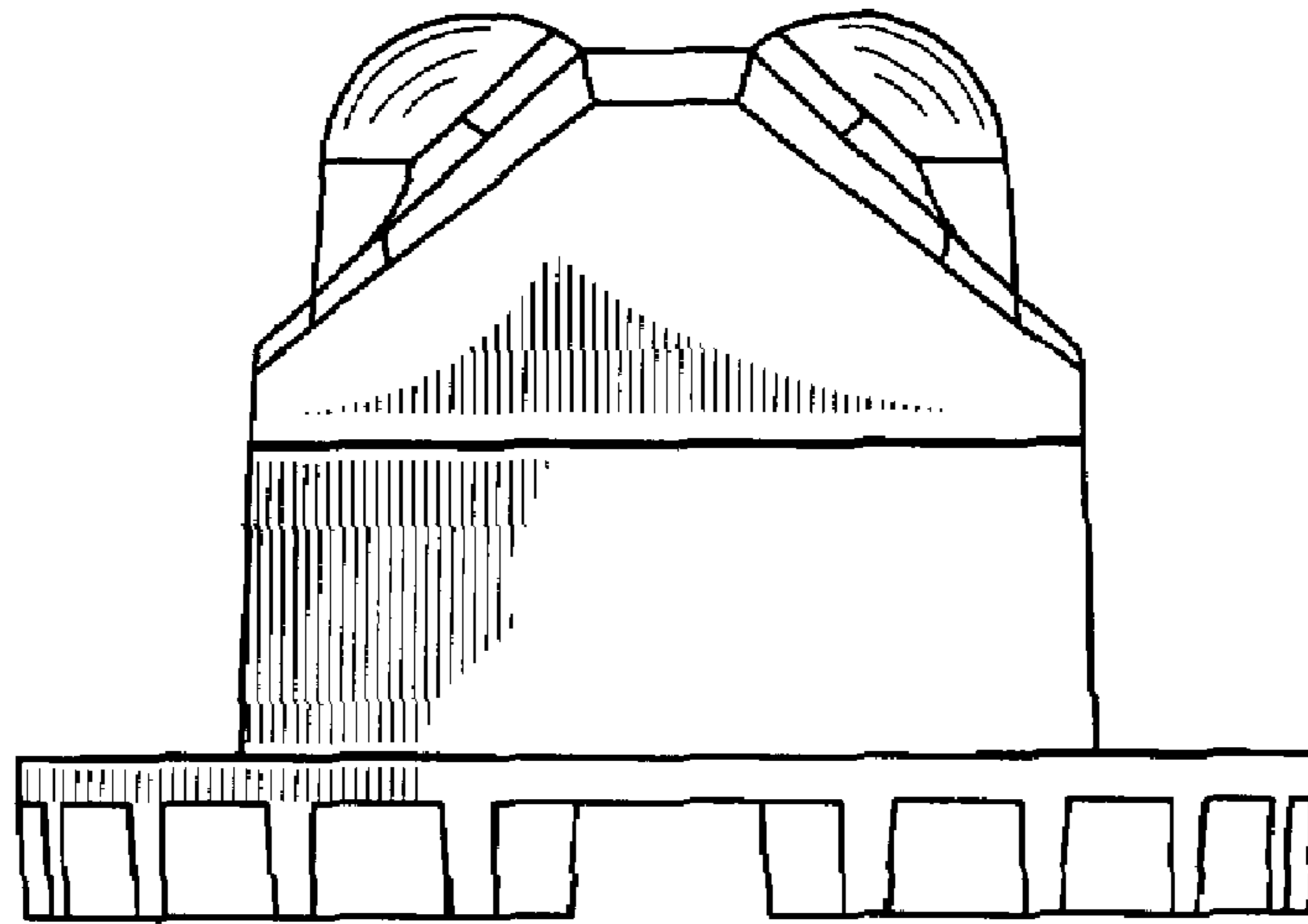




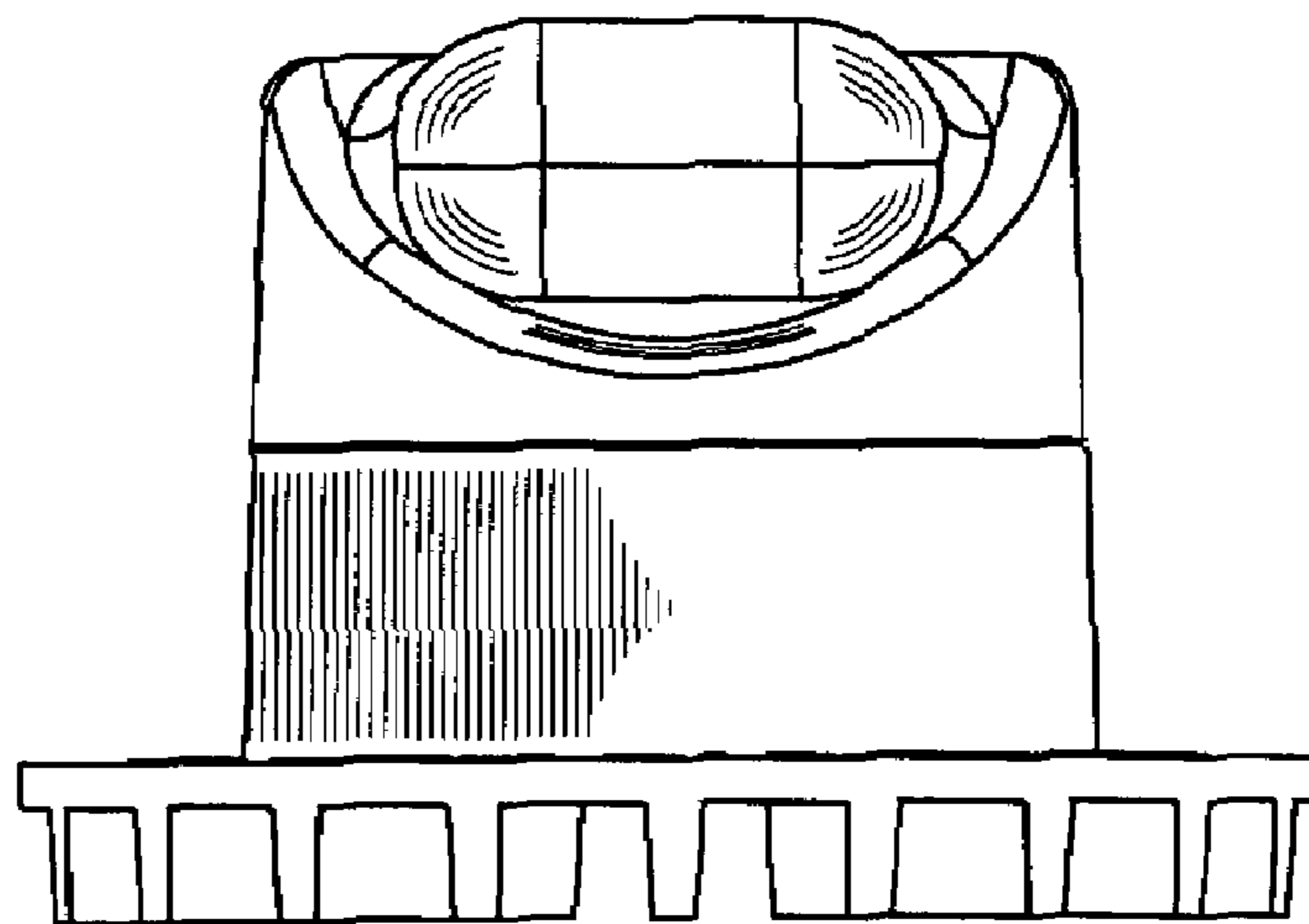
*Fig. 1*



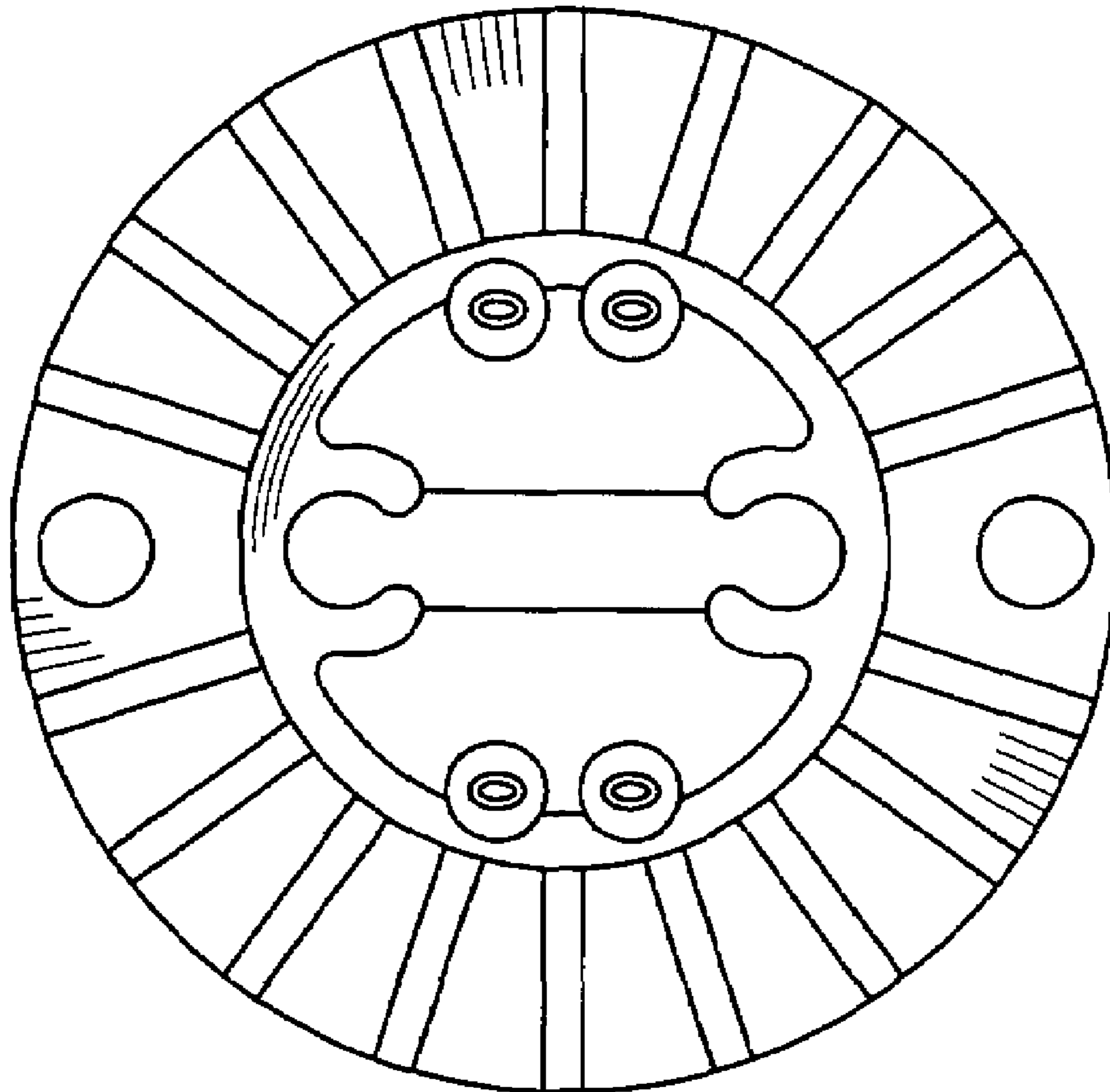
*Fig. 2*



*Fig. 3*



*Fig. 4*



*Fig. 5*