



US00D600830S

(12) **United States Design Patent**
Munakata et al.

(10) **Patent No.:** **US D600,830 S**

(45) **Date of Patent:** **** Sep. 22, 2009**

(54) **STRUCTURAL POST**

D412,584 S * 8/1999 Shirra D25/61
D497,211 S * 10/2004 Strassle D25/126

(75) Inventors: **Takeshi Munakata**, Shizuoka (JP); **Eiji Kashiwagi**, Shizuoka (JP)

* cited by examiner

(73) Assignee: **SUS Co., Ltd.**, Shizuoka-shi, Shizuoka (JP)

Primary Examiner—Doris Clark
(74) *Attorney, Agent, or Firm*—McGinn IP Law Group, PLLC

(**) Term: **14 Years**

(21) Appl. No.: **29/300,676**

(57) **CLAIM**

(22) Filed: **Apr. 24, 2008**

The ornamental design for a structural post, as shown and described.

(30) **Foreign Application Priority Data**

DESCRIPTION

Oct. 24, 2007 (JP) 2007-029181

FIG. 1 is a front view of a structural post as showing our new Design;

(51) **LOC (9) Cl.** **25-01**

FIG. 2 is a rear elevational view thereof;

(52) **U.S. Cl.** **D25/126; D25/61**

FIG. 3 is a right side elevational view thereof;

(58) **Field of Classification Search** D26/61,
D26/126; 52/633, 634, 636, 638, 653.1,
52/690, 650.3, 655.1, 655.2, 656.1, 656.9,
52/831, 837, 271; 403/64, 169, 170

FIG. 4 is a left side elevational view thereof;

FIG. 5 is a top plan view thereof;

See application file for complete search history.

FIG. 6 is a bottom view thereof;

FIG. 7 is a cross sectional view taken along line 7—7 in FIG. 5.

(56) **References Cited**

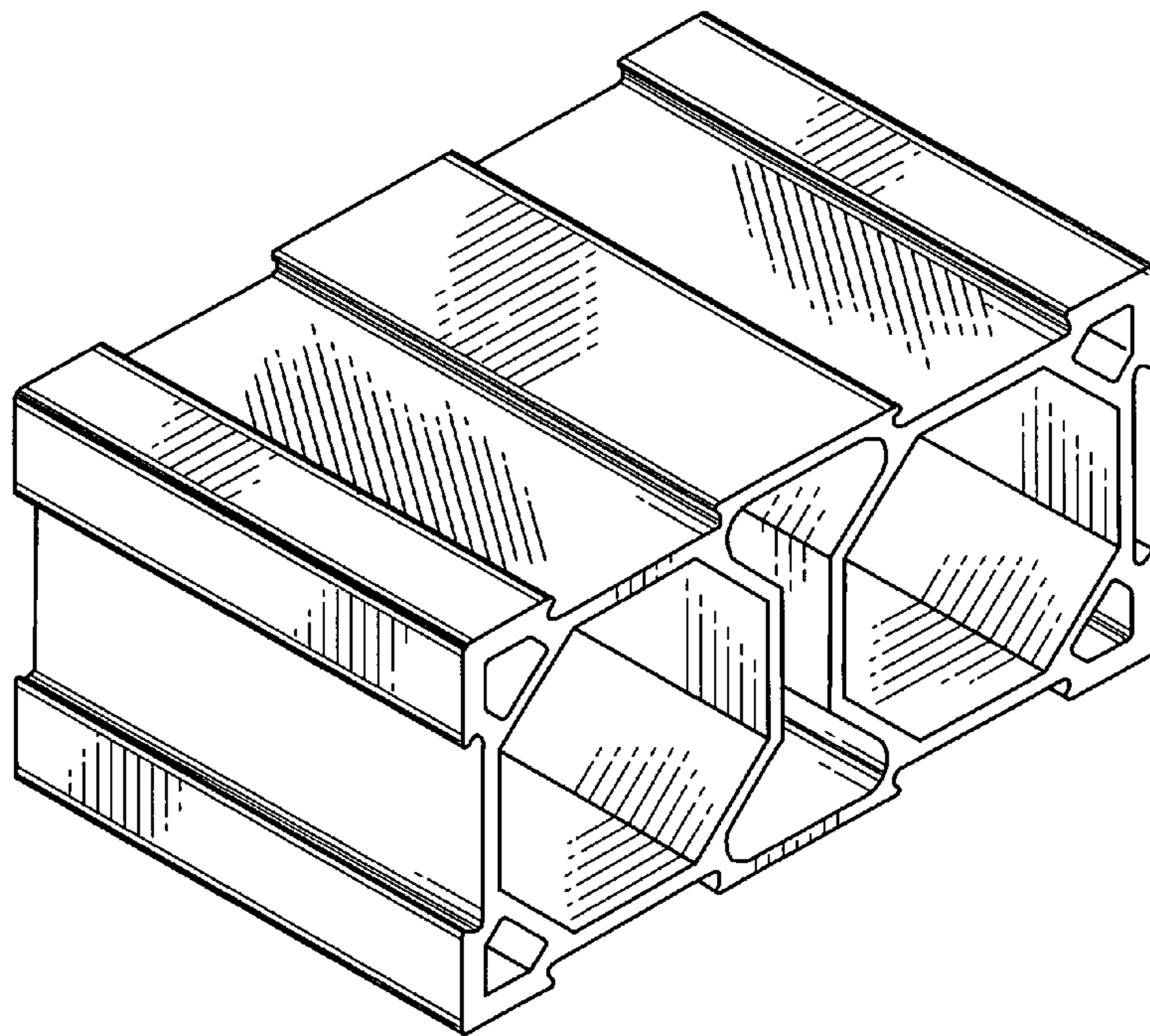
U.S. PATENT DOCUMENTS

FIG. 8 is a perspective view thereof; and,

FIG. 9 is another perspective view thereof.

3,726,551 A * 4/1973 Levenberg 403/172
D336,345 S * 6/1993 Fasth et al. D25/126
5,580,181 A * 12/1996 Nomura 403/170

1 Claim, 9 Drawing Sheets



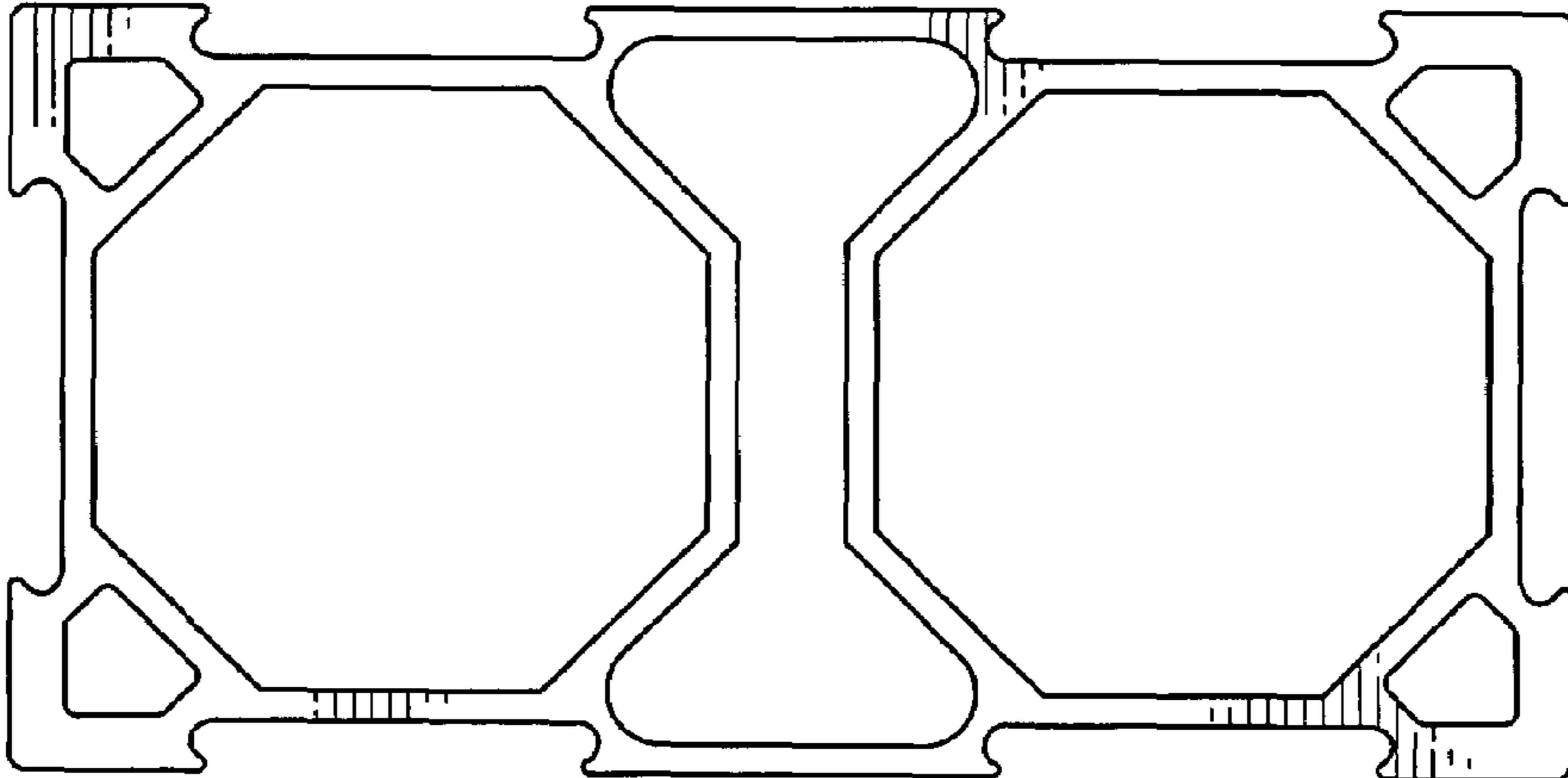


FIG.1

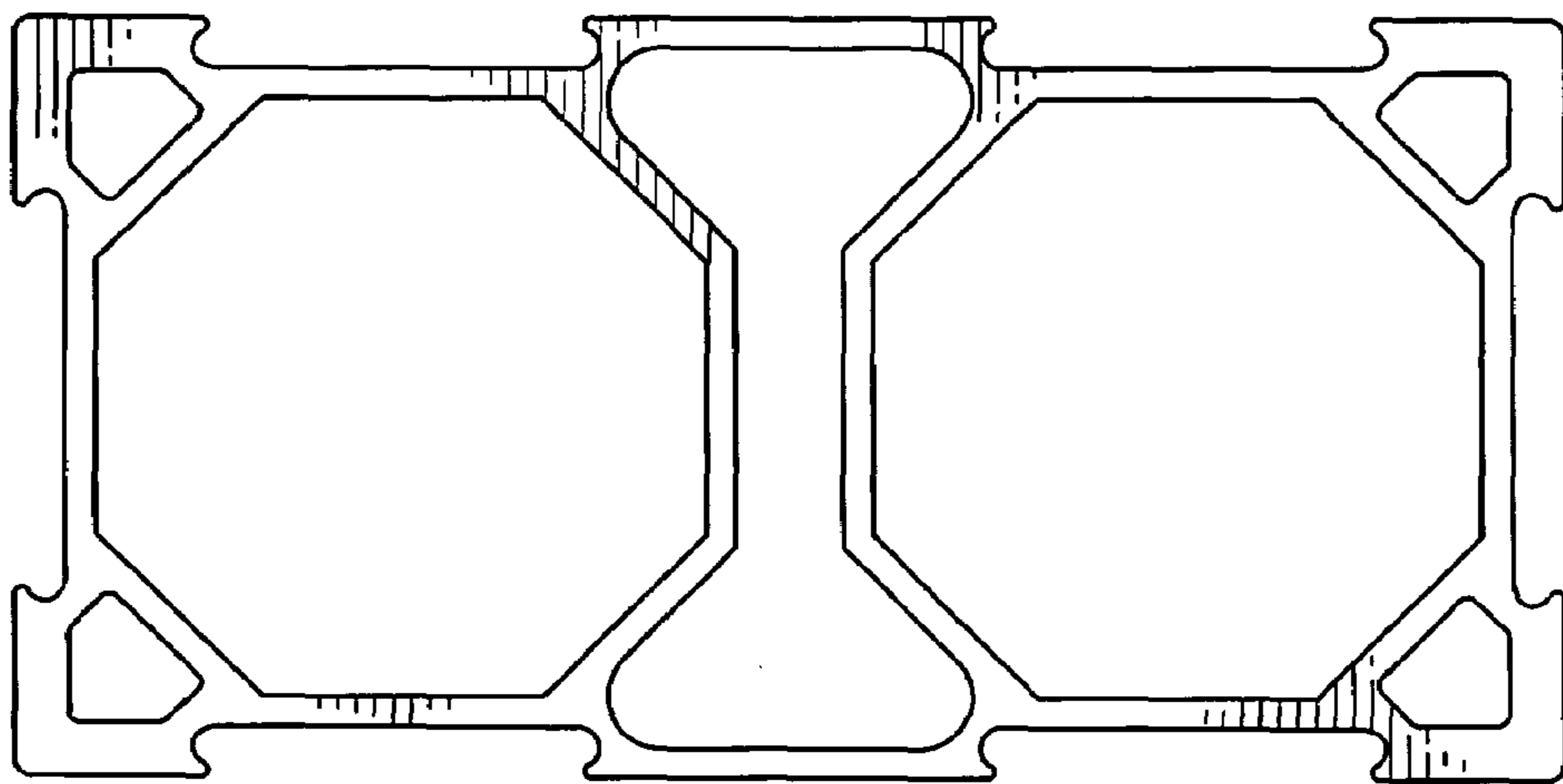


FIG. 2

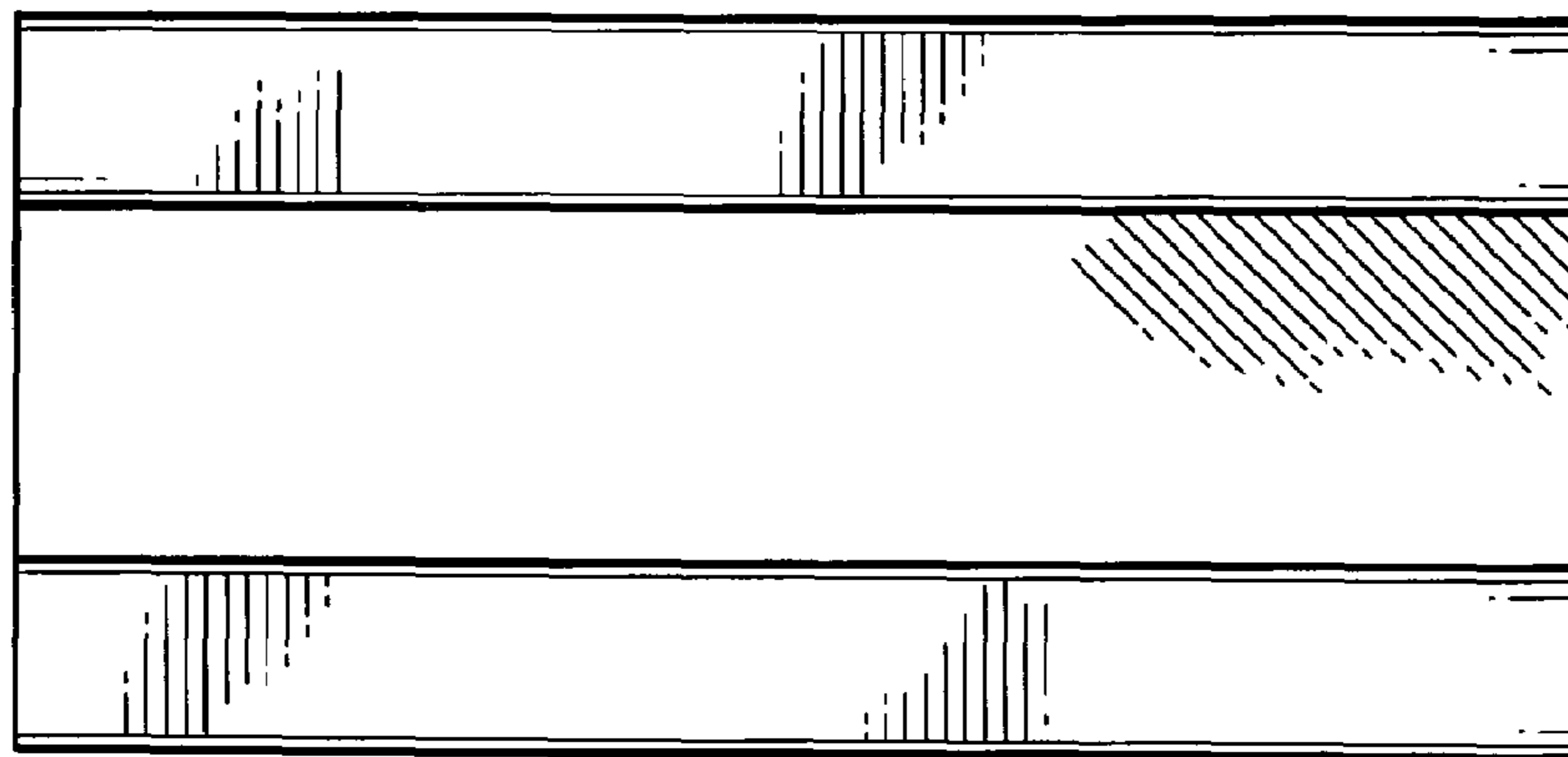


FIG.3

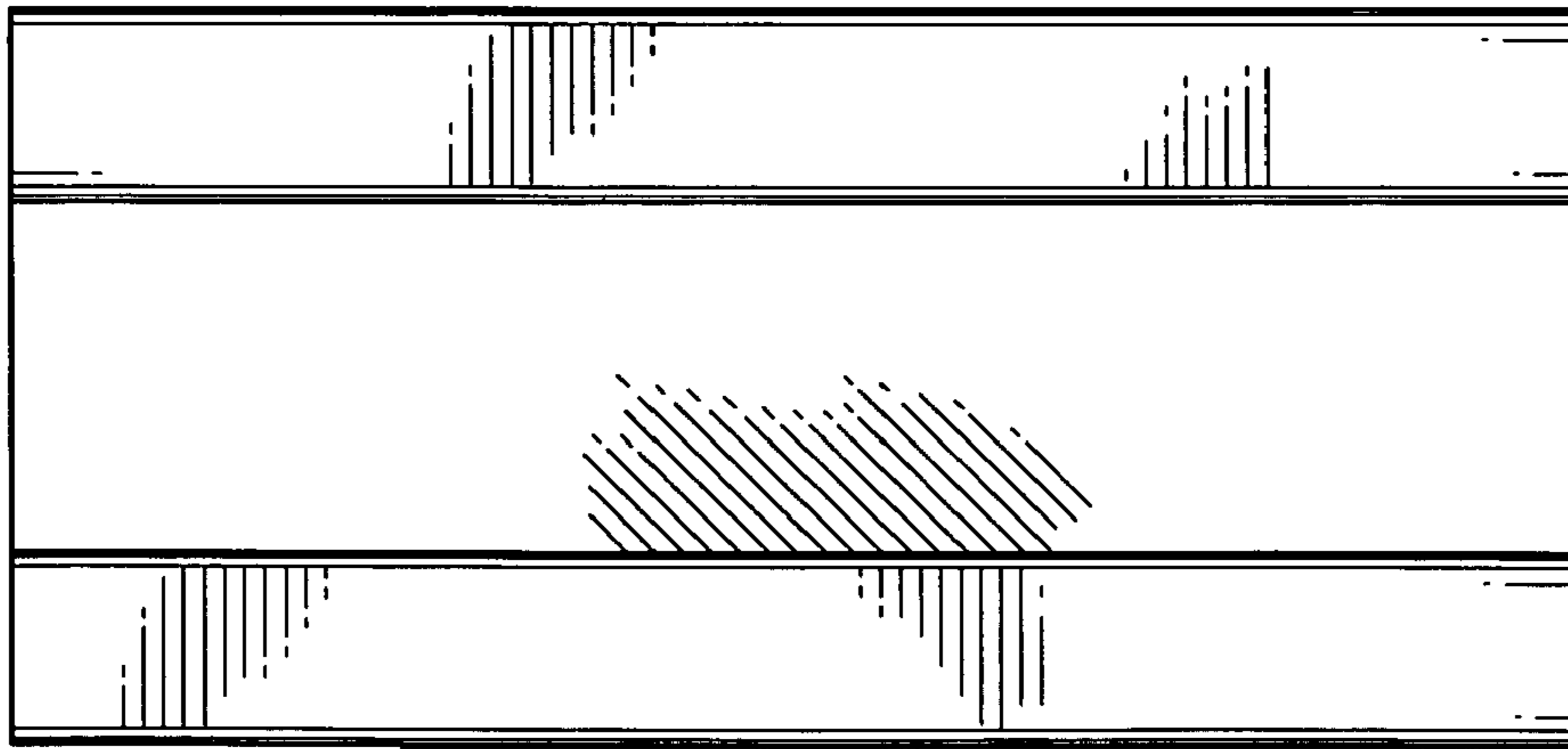


FIG.4

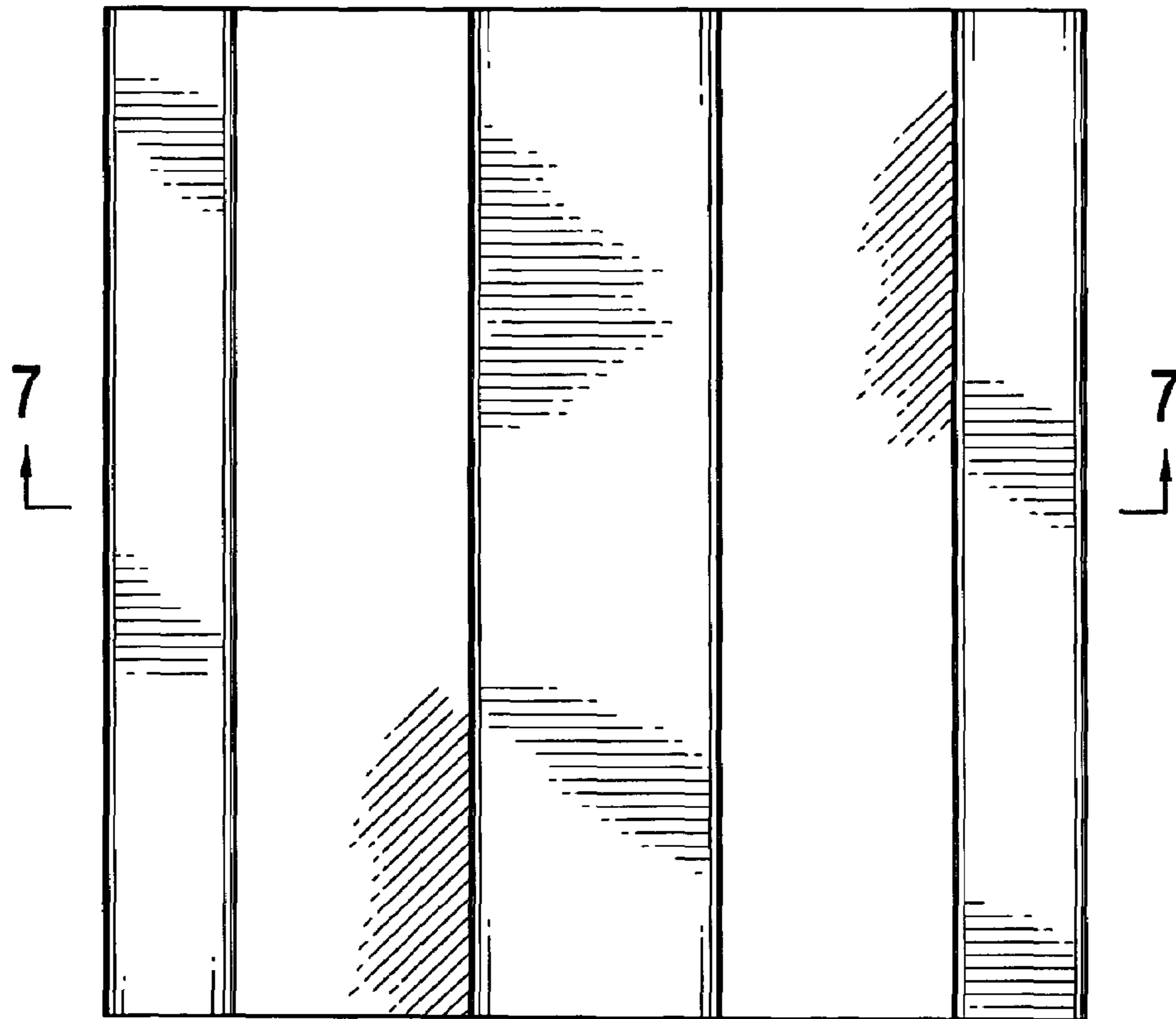


FIG.5

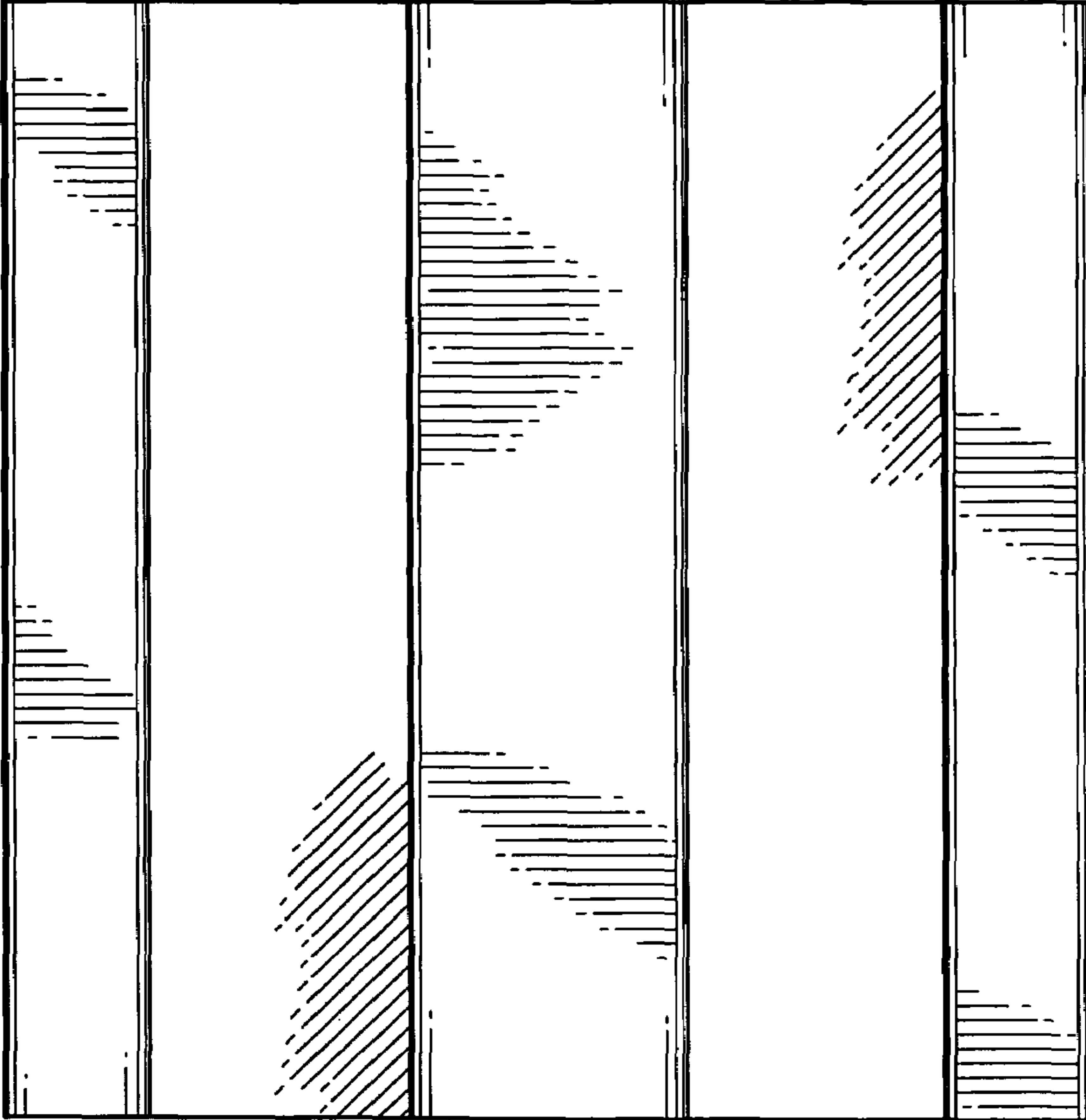


FIG.6

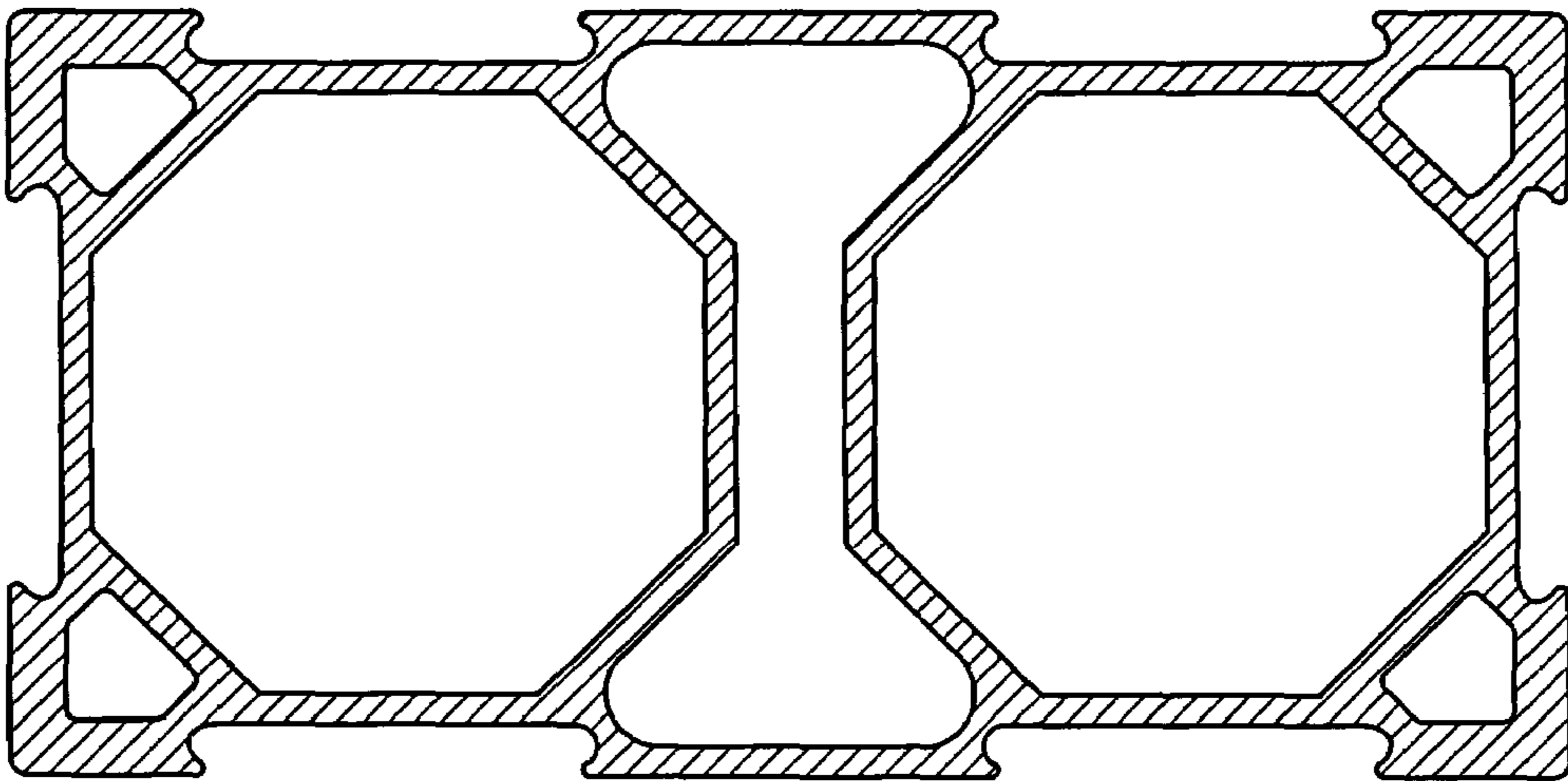


FIG.7

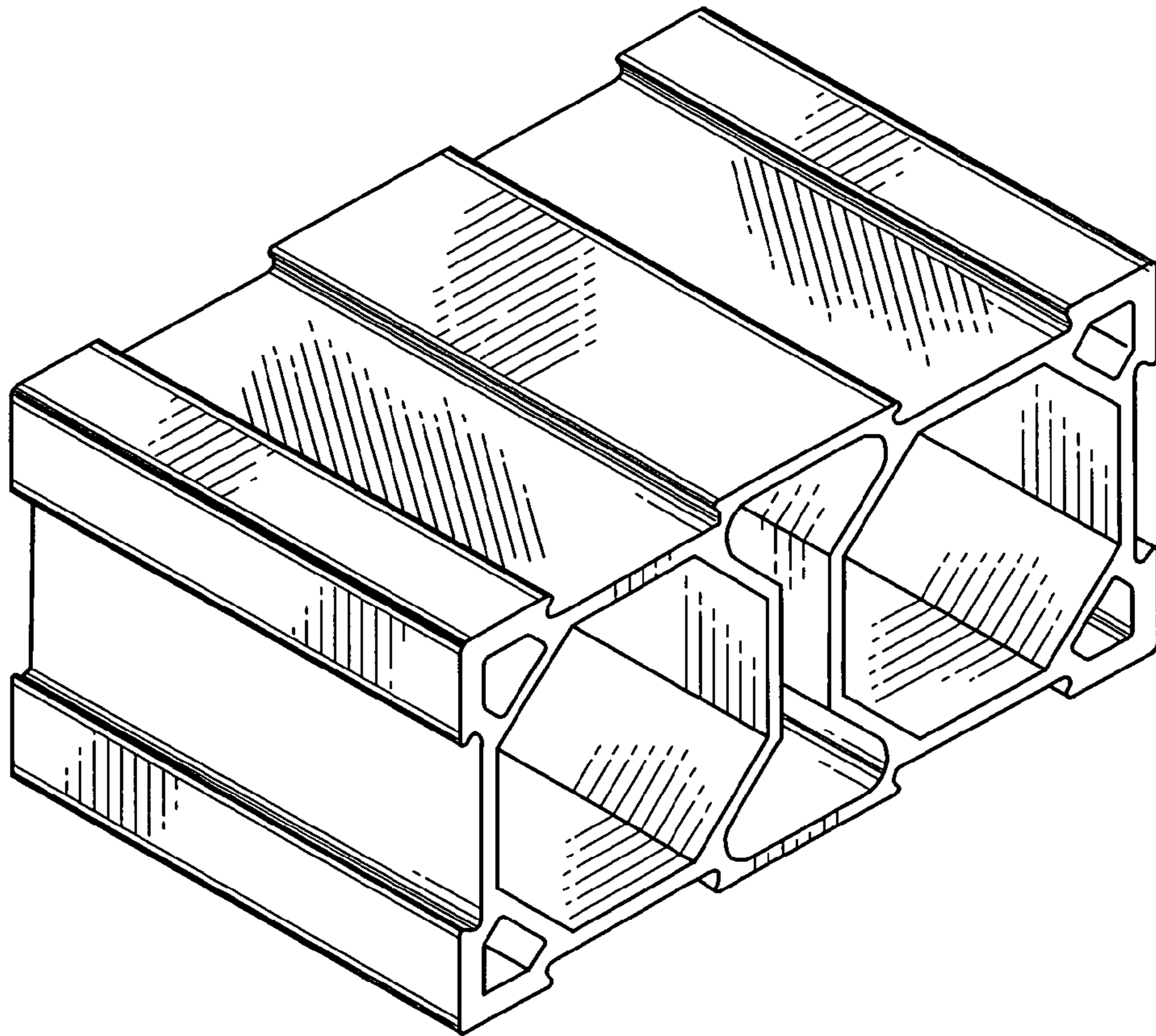


FIG.8

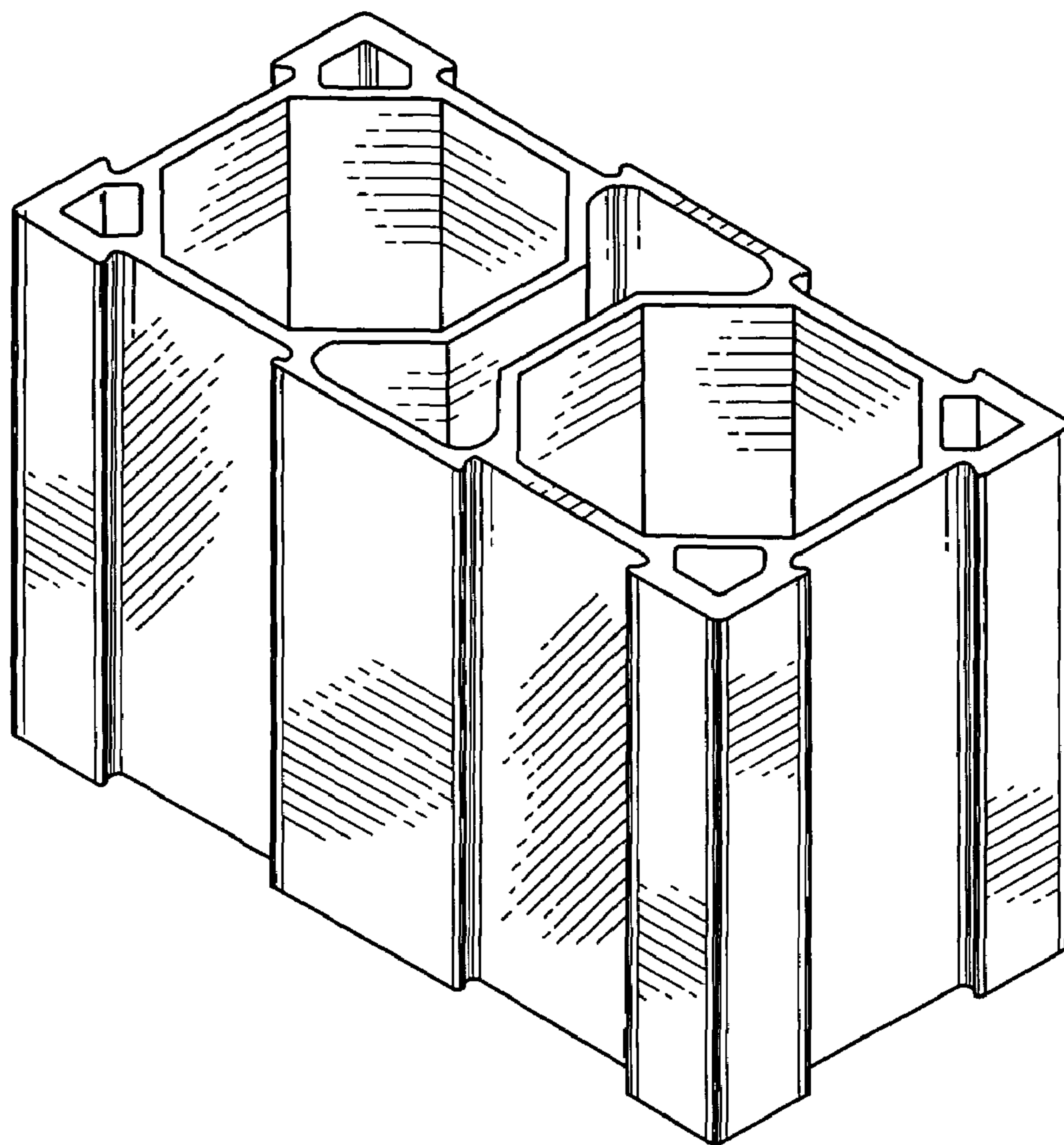


FIG.9