



US00D600820S

(12) **United States Design Patent**
Gómez López

(10) **Patent No.:** **US D600,820 S**

(45) **Date of Patent:** **** Sep. 22, 2009**

(54) **PAIL SHELF**

(75) Inventor: **Abraham Gómez López**, Nuevo Leon (MX)

(73) Assignee: **Louisville Ladder Inc.**, Louisville, KY (US)

(**) Term: **14 Years**

(21) Appl. No.: **29/323,962**

(22) Filed: **Sep. 3, 2008**

(51) **LOC (9) Cl.** **25-04**

(52) **U.S. Cl.** **D25/68**

(58) **Field of Classification Search** D25/68;
182/129; 248/210, 238

See application file for complete search history.

(56) **References Cited**

U.S. PATENT DOCUMENTS

3,980,264	A *	9/1976	Tomasik	248/210
4,222,541	A *	9/1980	Cillis	248/210
D356,165	S *	3/1995	Cassidy	D25/68
D404,502	S *	1/1999	Shanahan	D25/68
5,971,103	A *	10/1999	Mulvaney	182/129

* cited by examiner

Primary Examiner—Doris Clark

(74) *Attorney, Agent, or Firm*—Egbert Law Offices PLLC

(57) **CLAIM**

The ornamental design for the pail shelf, as shown and described.

DESCRIPTION

FIG. 1 is an upper perspective view of the pail shelf showing my design.

FIG. 2 is a top plan view thereof;

FIG. 3 is a bottom plan view thereof;

FIG. 4 is a front elevation view thereof;

FIG. 5 is a back elevation view thereof;

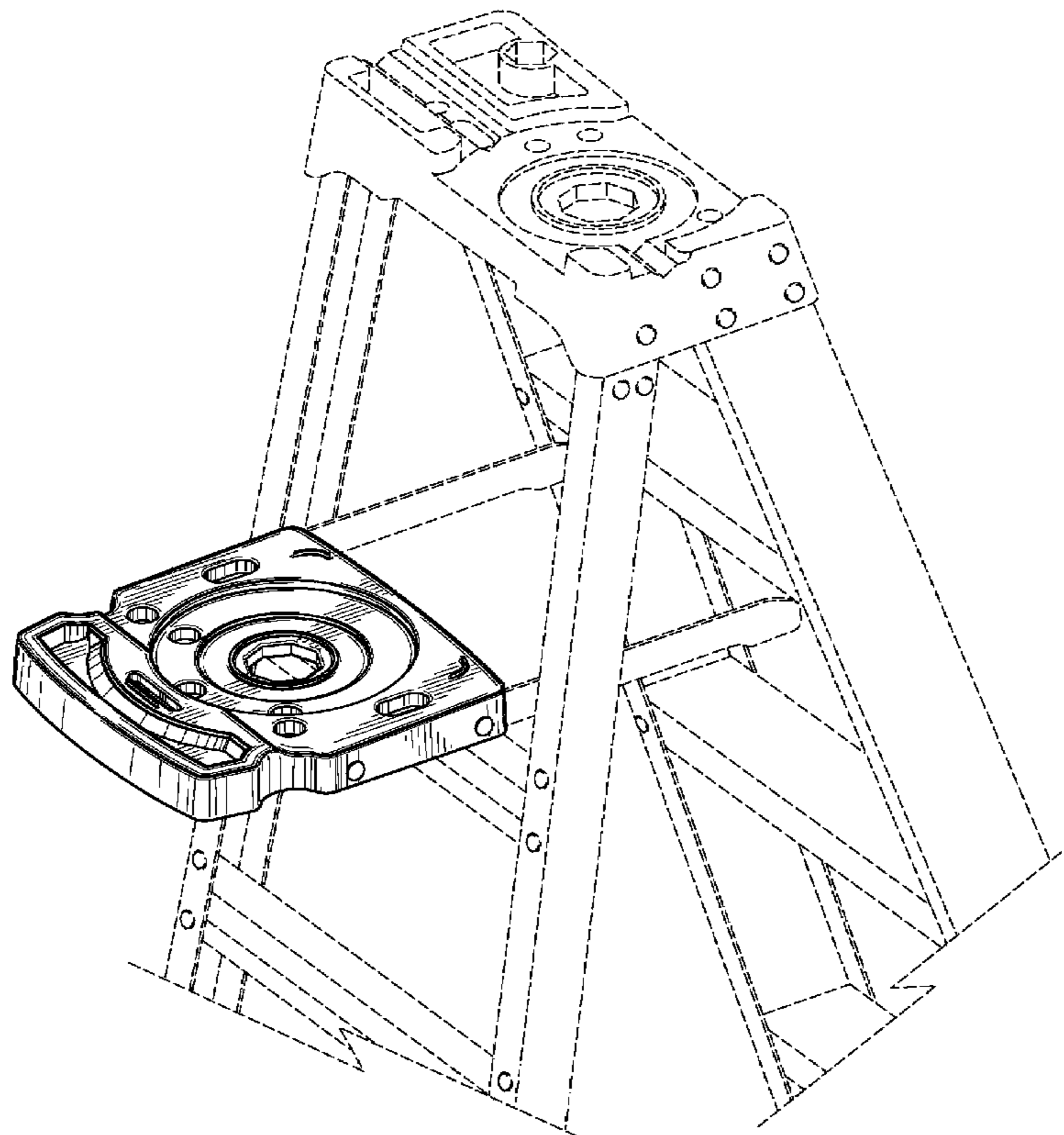
FIG. 6 is a side view thereof;

FIG. 7 is an opposite side view thereof; and,

FIG. 8 is another perspective view thereof, showing attachment to a ladder.

The pail shelf is an attachment for a ladder. The broken lines in FIG. 8 are presented for illustrative purposes only and form no part of the claimed design.

1 Claim, 3 Drawing Sheets



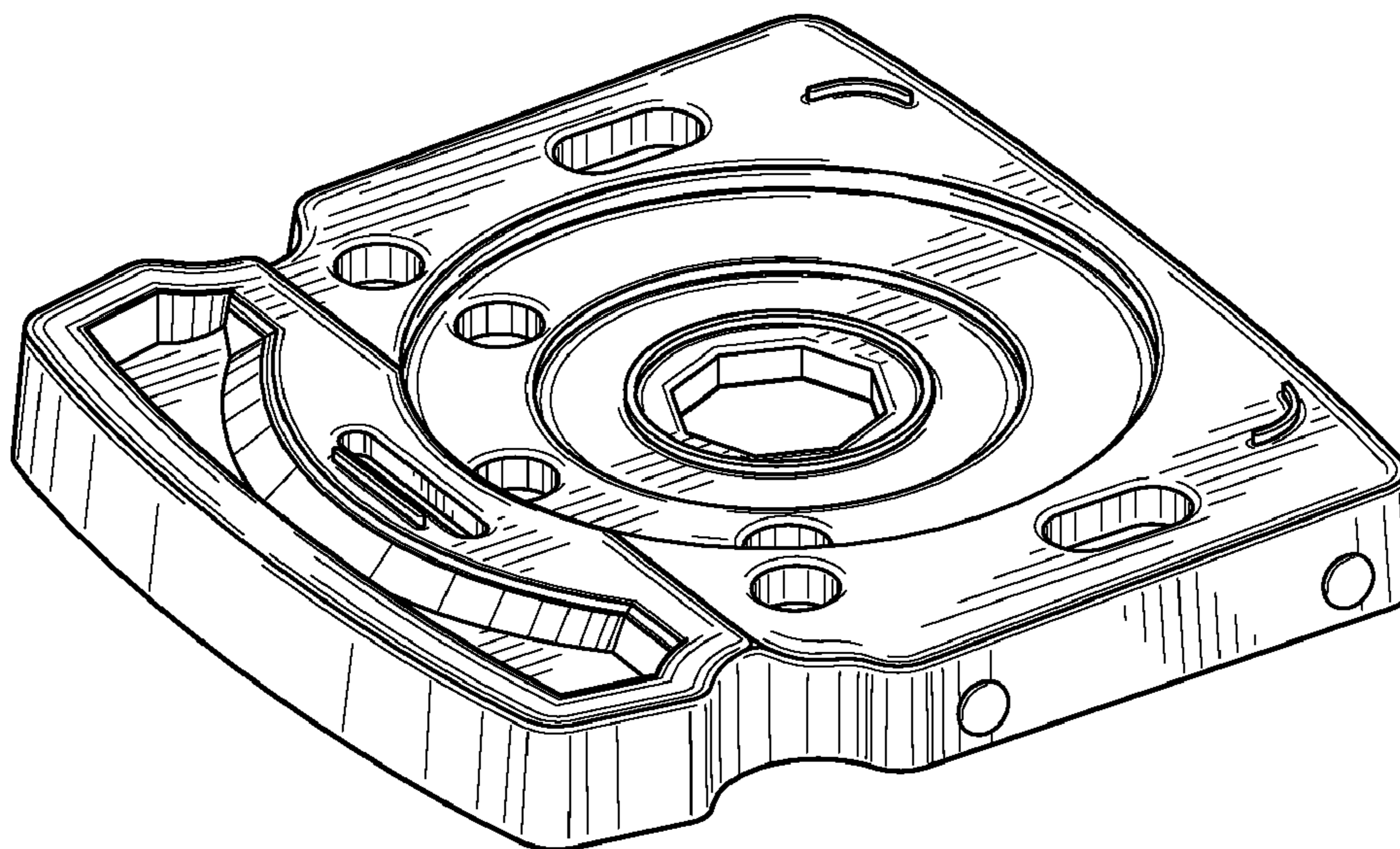


FIG. 1

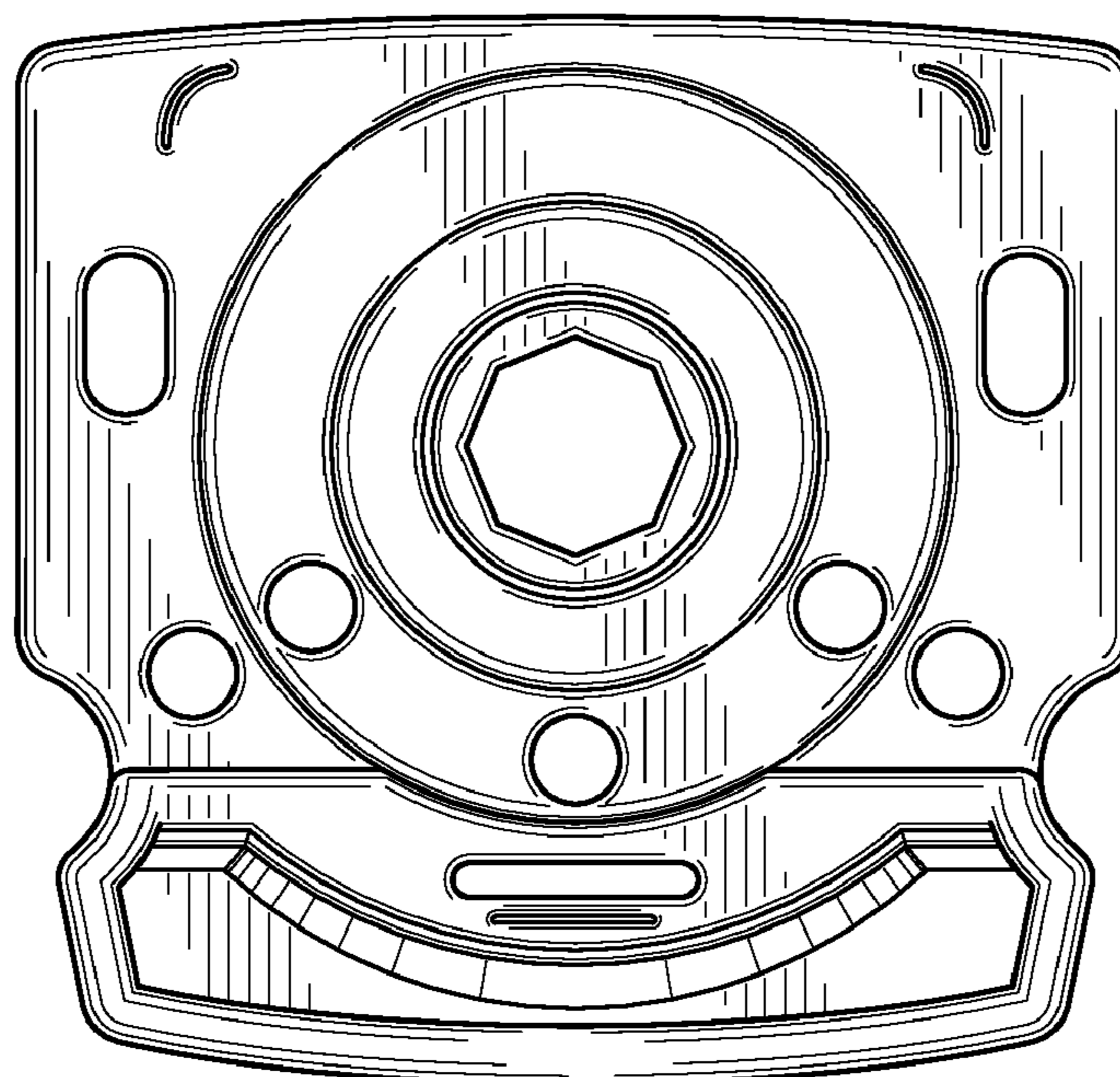


FIG. 2

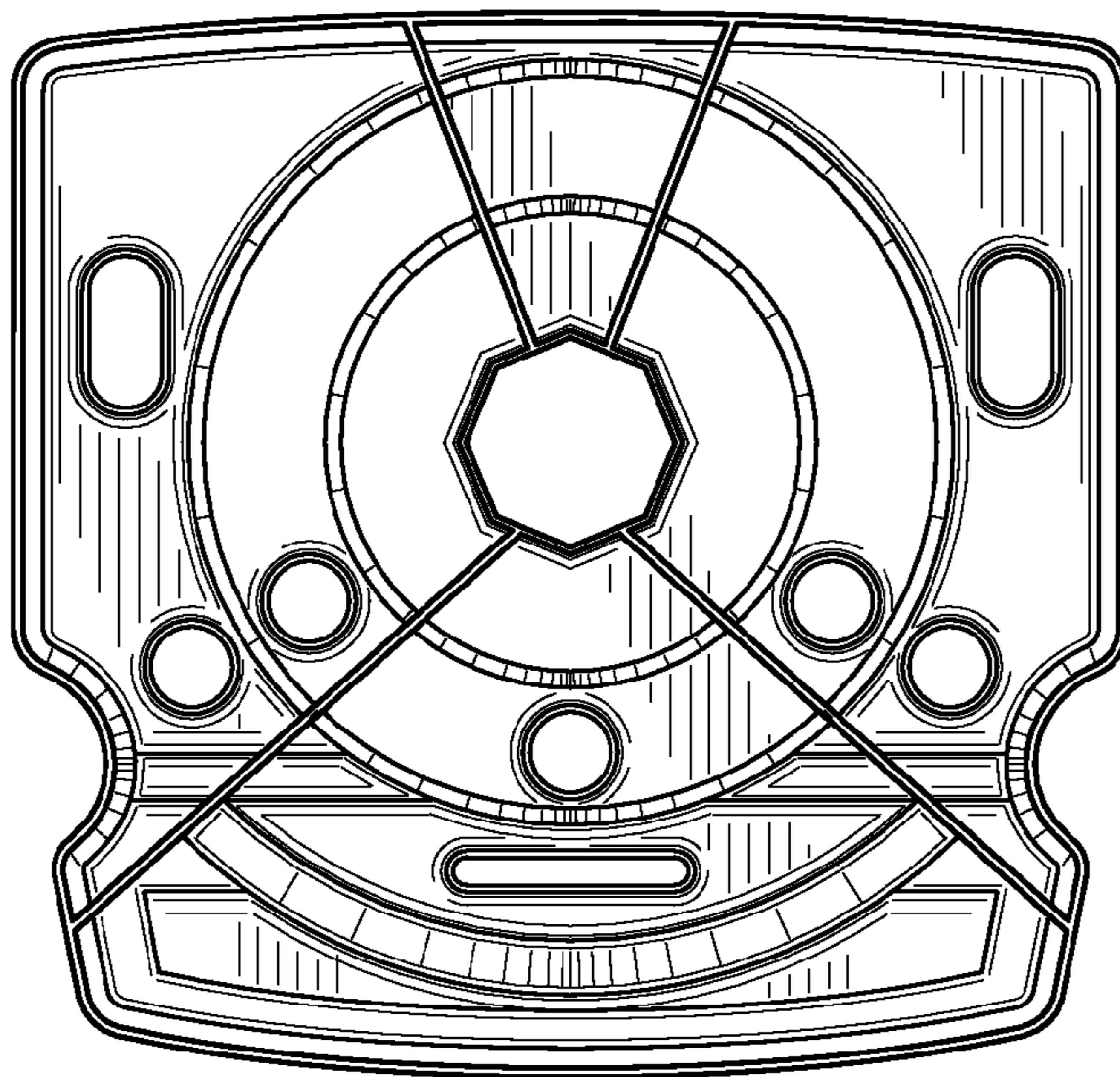


FIG. 3

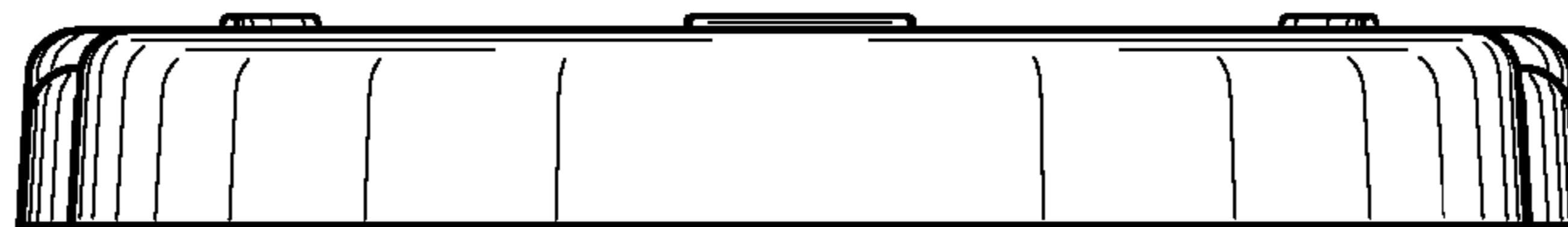


FIG. 4



FIG. 5

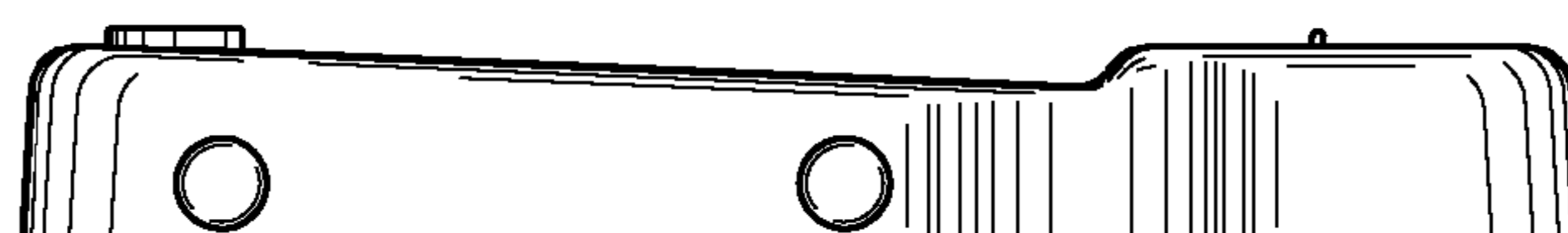


FIG. 6



FIG. 7

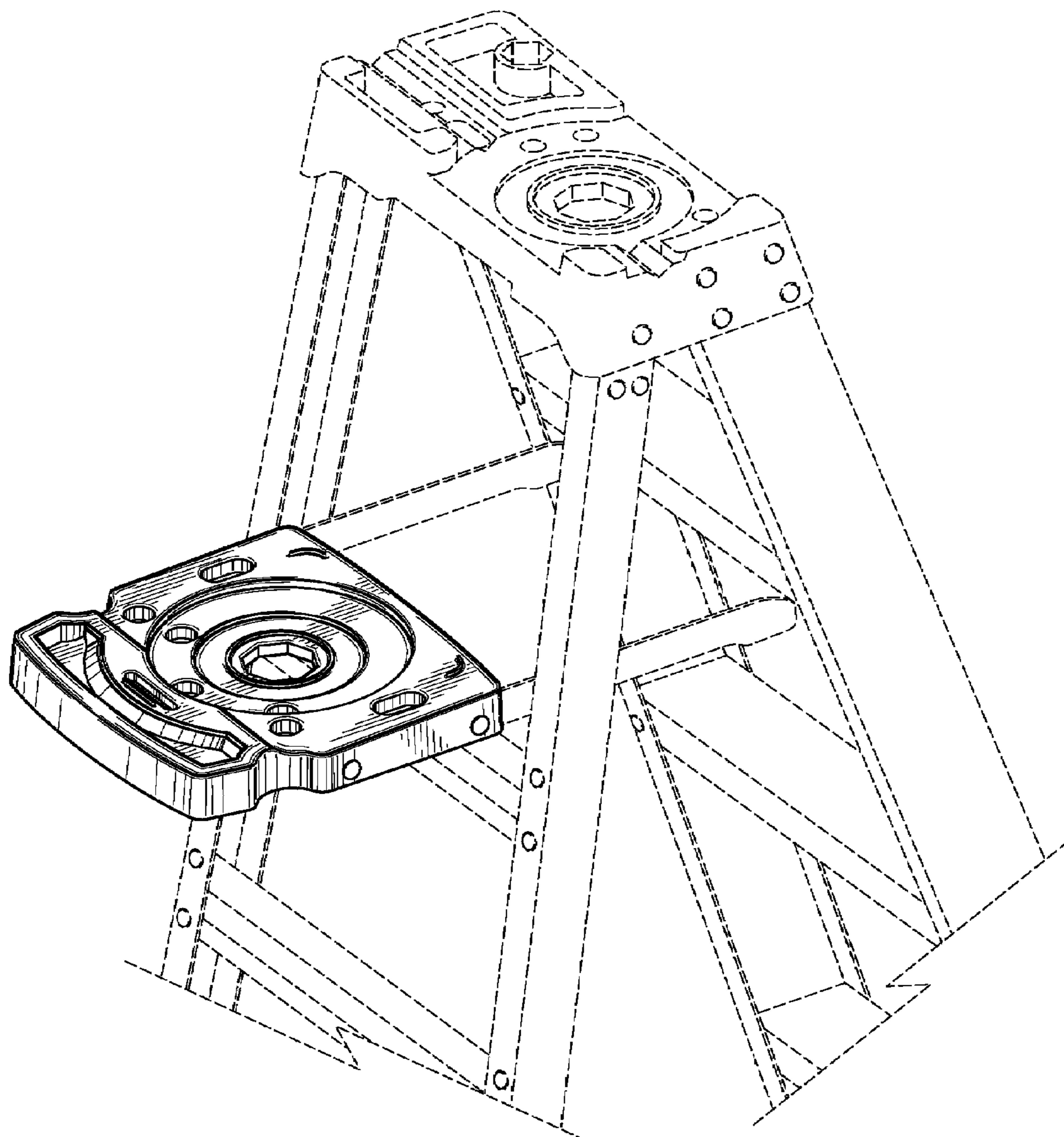


FIG. 8