



US00D600817S

(12) **United States Design Patent**
Ton

(10) **Patent No.:** **US D600,817 S**

(45) **Date of Patent:** **** Sep. 22, 2009**

(54) **PEDICURE SPA**

D457,018 S * 5/2002 Park D6/495
6,503,212 B2 * 1/2003 Park 601/158
D506,830 S * 6/2005 Zimmermann D24/204

(76) Inventor: **Quy That Ton**, 3131 Dalrymple Dr.,
Baton Rouge, LA (US) 70822

* cited by examiner

(**) Term: **14 Years**

Primary Examiner—Cathron C Brooks

Assistant Examiner—Melanie Levy

(21) Appl. No.: **29/321,006**

(74) *Attorney, Agent, or Firm*—Duane Morris LLP

(22) Filed: **Jul. 9, 2008**

(57) **CLAIM**

Related U.S. Application Data

The ornamental design for a pedicure spa, as shown and described.

(63) Continuation-in-part of application No. 29/278,657,
filed on Apr. 5, 2007, now abandoned.

DESCRIPTION

(51) **LOC (9) Cl.** **24-04**

(52) **U.S. Cl.** **D24/213; D24/204**

(58) **Field of Classification Search** D24/200–205,
D24/212–213; D28/56, 61; D6/336, 495;
601/6, 15, 16, 64, 157–158, 30–32; 607/44;
4/622, 574.1

FIG. 1 is a perspective view showing the front, right and upper side of a pedicure spa showing my new pedicure spa;

FIG. 2 is a right side view thereof;

FIG. 3 is a perspective view showing the rear, left and upper side thereof; and

FIG. 4 is a front view thereof; and,

FIG. 5 is a perspective view showing the under side thereof.

See application file for complete search history.

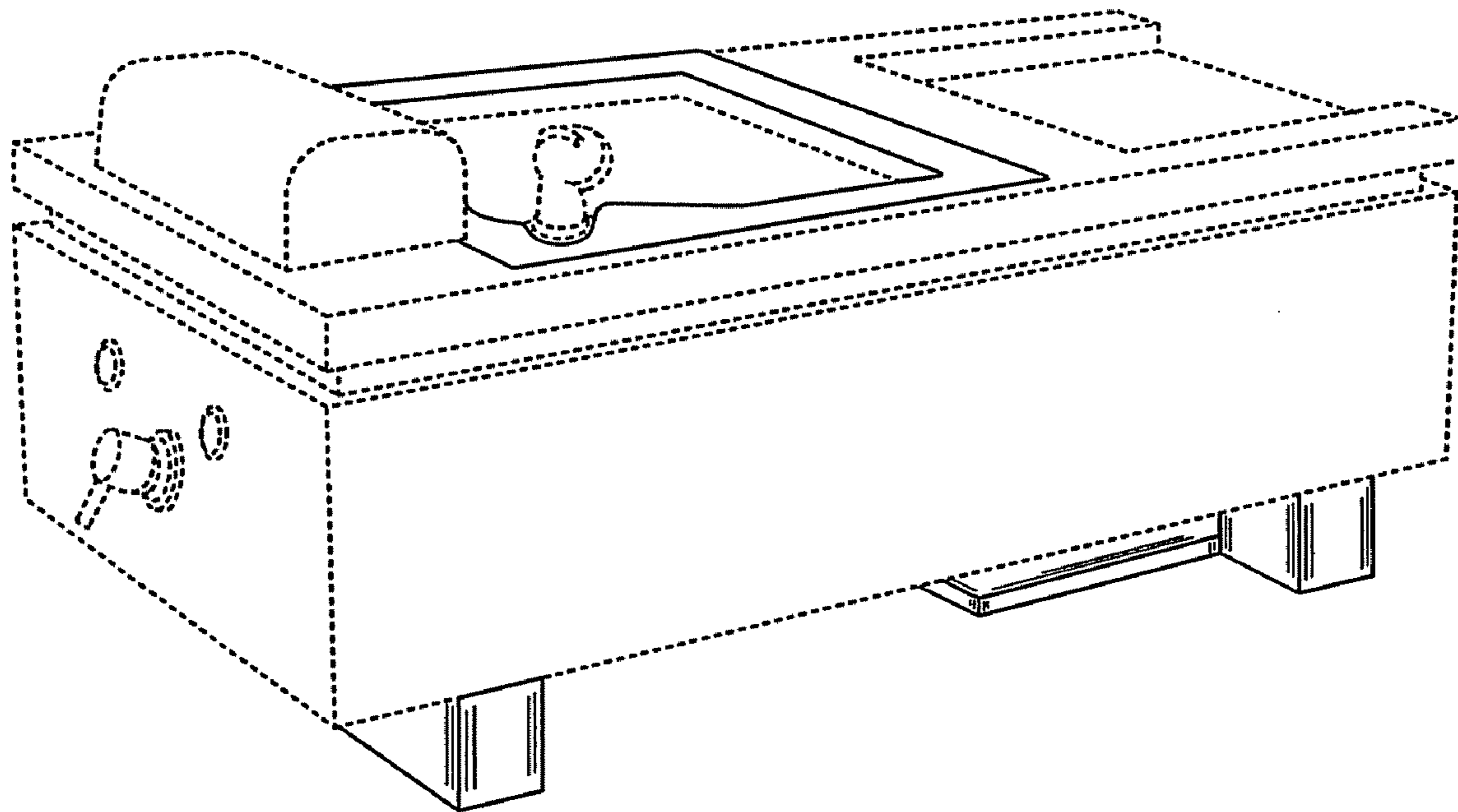
The broken lines shown in the drawings represent unclaimed portions of the design and form no part thereof.

(56) **References Cited**

U.S. PATENT DOCUMENTS

D247,511 S * 3/1978 Lee et al. D24/205
D303,162 S * 8/1989 Meyerovich et al. D28/61
D346,043 S * 4/1994 Galati et al. D28/61

1 Claim, 5 Drawing Sheets



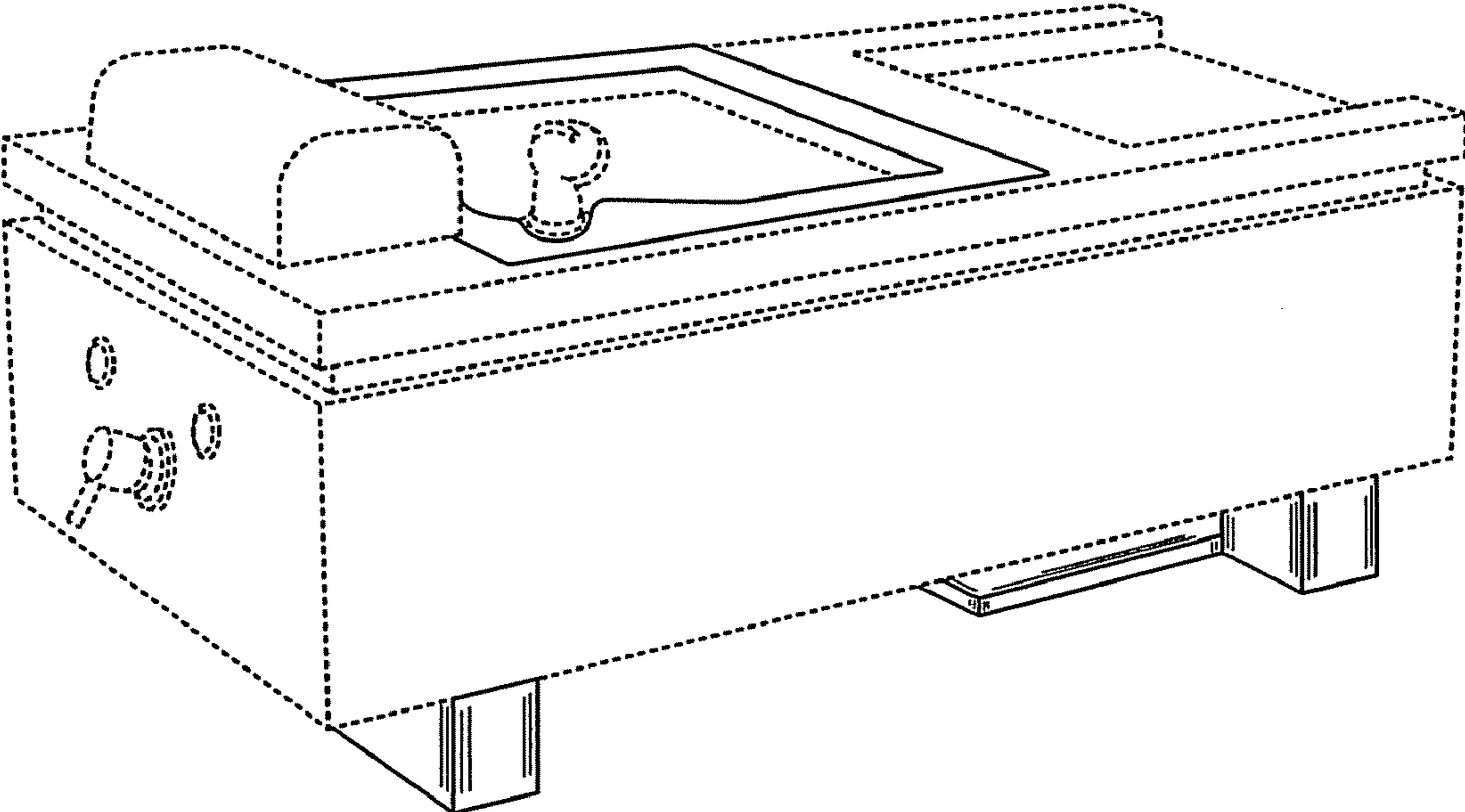


Fig. 1

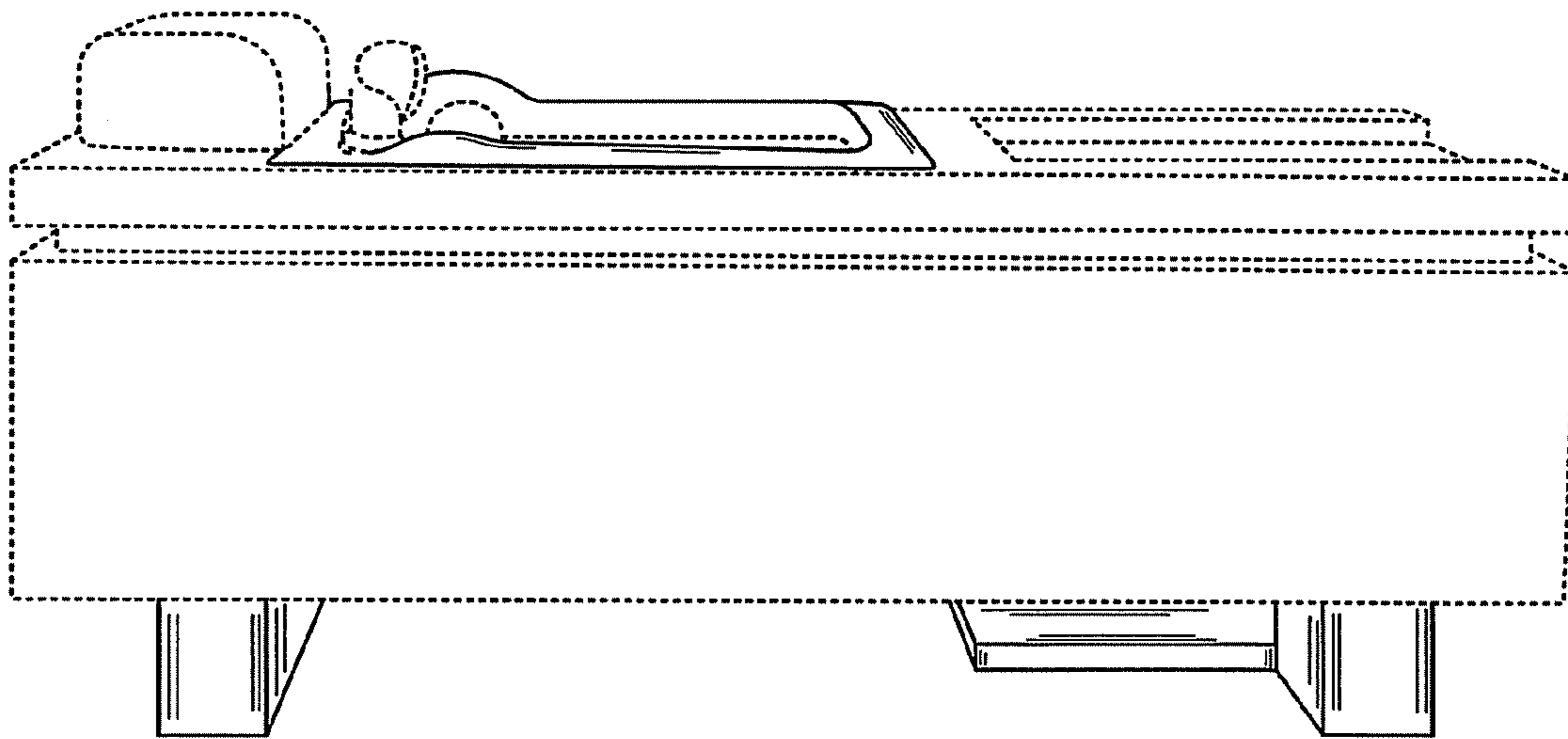


Fig. 2

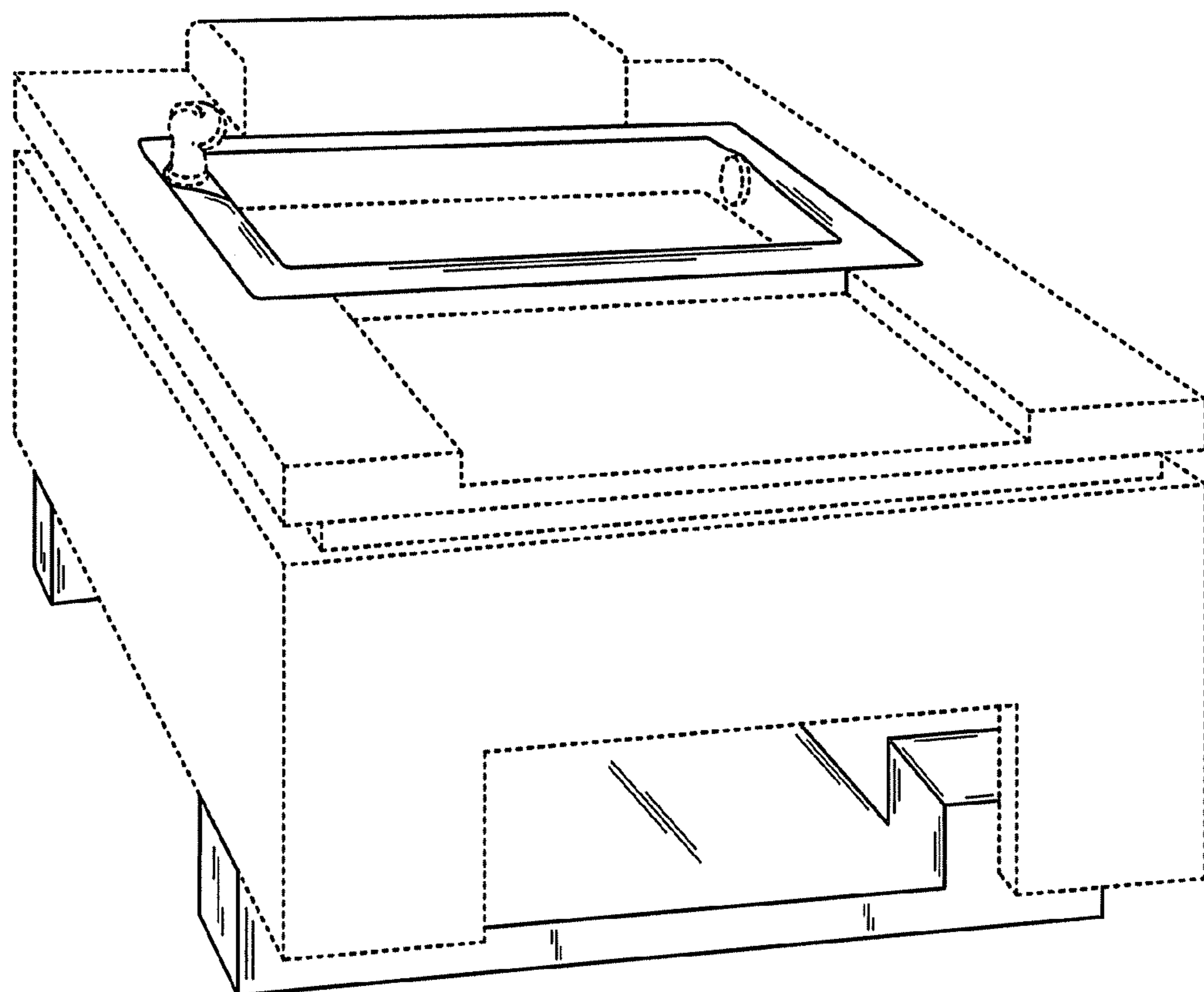


Fig. 3

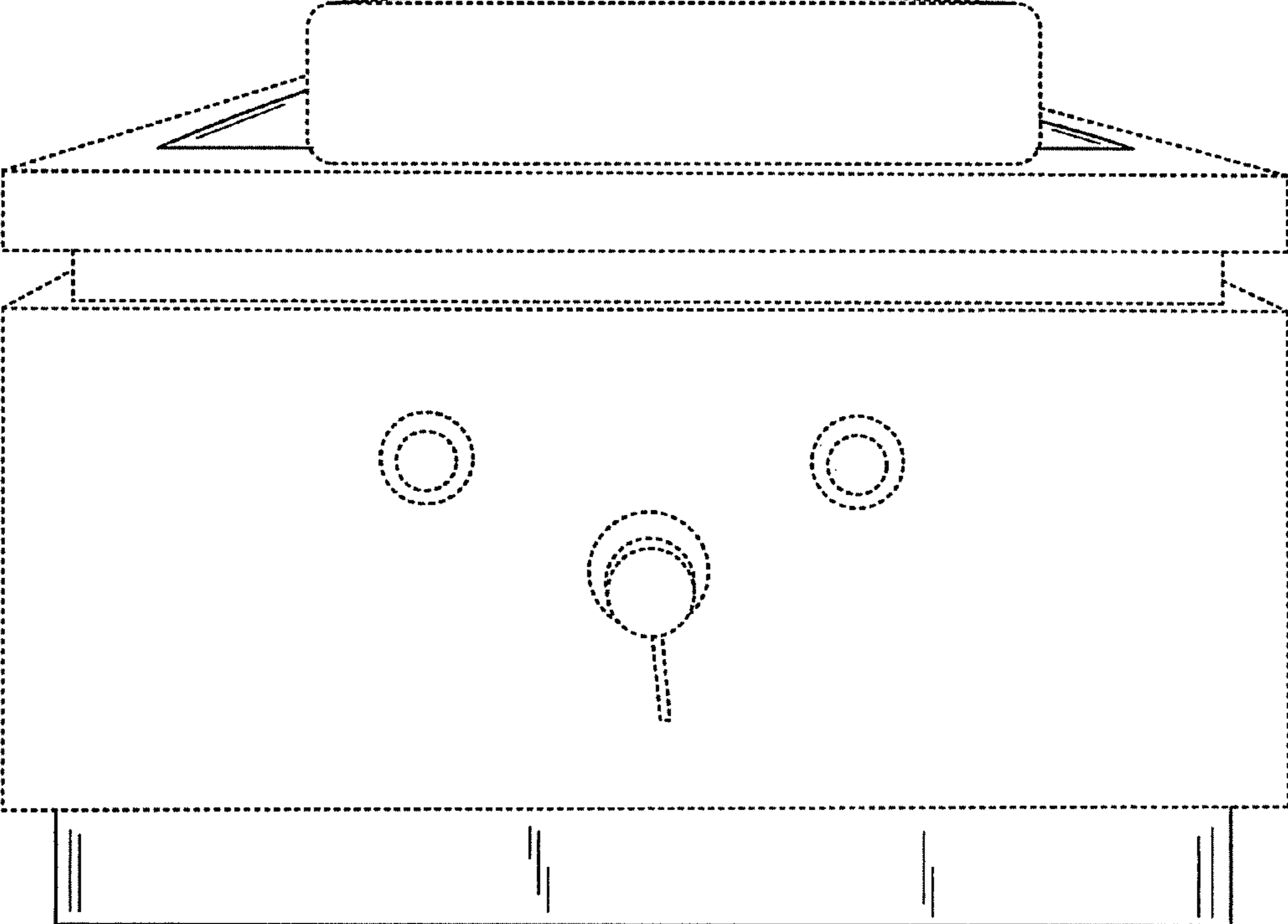


Fig. 4

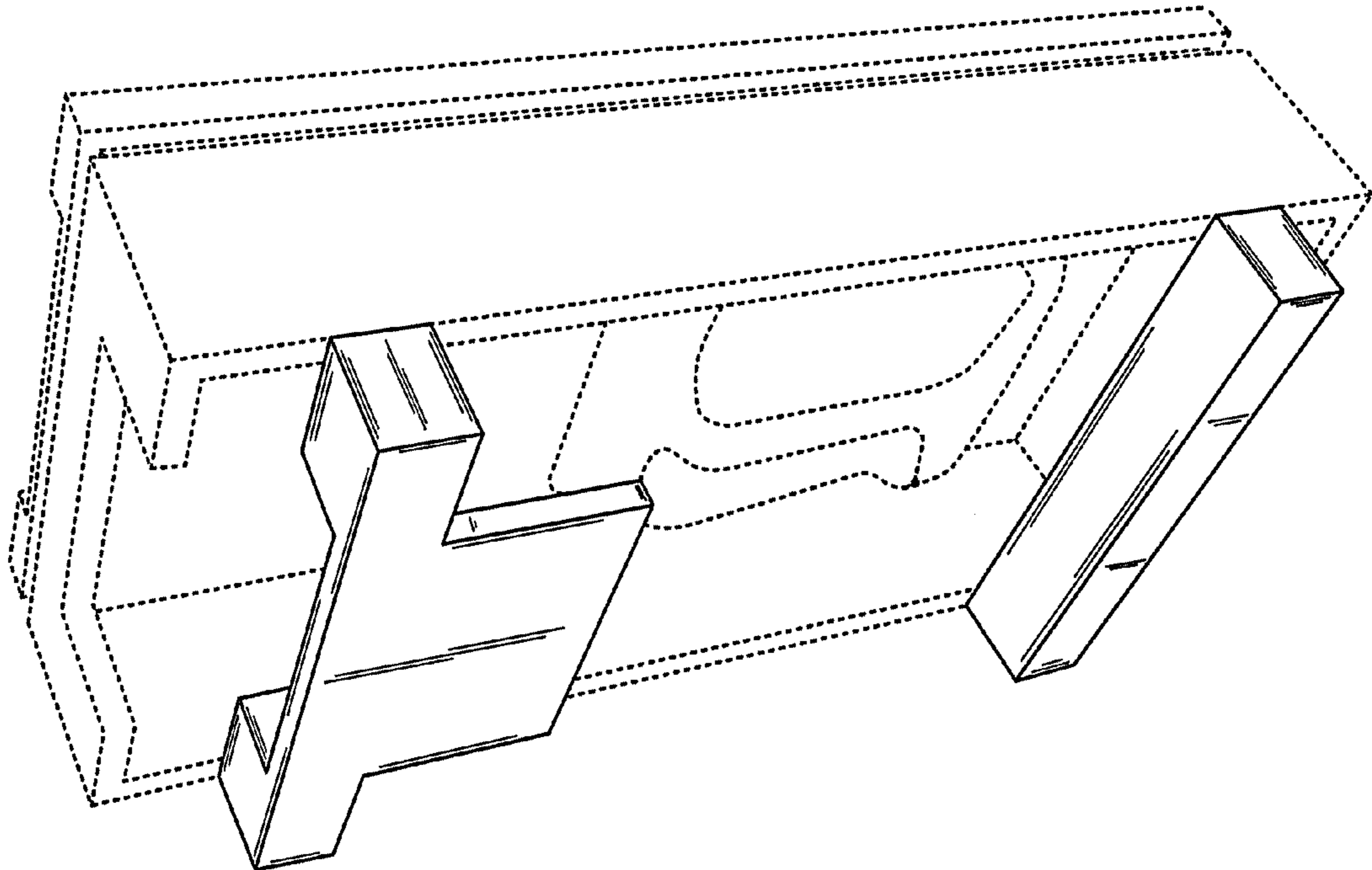


Fig. 5