



US00D600811S

(12) **United States Design Patent**
Rounds et al.

(10) **Patent No.:** **US D600,811 S**

(45) **Date of Patent:** **** Sep. 22, 2009**

(54) **DIAGNOSTIC TEST SYSTEM**

6,964,752 B2 * 11/2005 Lappe et al. 422/102
D545,436 S * 6/2007 Padain D24/169

(75) Inventors: **George R. Rounds**, Parkland, FL (US);
Jeffrey Akins, Boca Raton, FL (US);
Allan Javier Caban, Lake Worth, FL
(US); **Gary T. Neel**, Weston, FL (US);
Brent E. Modzelewski, Boca Raton, FL
(US)

* cited by examiner

Primary Examiner—T. Chase Nelson
Assistant Examiner—Anhdao Doan
(74) *Attorney, Agent, or Firm*—Finnegan, Henderson,
Farabow, Garrett & Dunner, L.L.P.

(73) Assignee: **Home Diagnostics, Inc.**, Fort
Lauderdale, FL (US)

(57) **CLAIM**

The ornamental design for a diagnostic test system, as shown
and described.

(**) Term: **14 Years**

(21) Appl. No.: **29/302,659**

DESCRIPTION

(22) Filed: **Jan. 22, 2008**

FIG. 1 is a front perspective view of our diagnostic test
system.

(51) **LOC (9) Cl.** **24-01**

FIG. 2 is a front perspective view of the design of FIG. 1 with
a test strip inserted.

(52) **U.S. Cl.** **D24/169; D24/216**

FIG. 3 is a rear perspective view of the design of FIG. 1.

(58) **Field of Classification Search** D24/165–169,
D24/186, 216, 224; D10/78, 81; 600/309,
600/316, 322, 365, 368, 583, 584; 422/58,
422/61, 68.1

FIG. 4 is a top view of the design of FIG. 1.

FIG. 5 is a rear view of the design of FIG. 1.

See application file for complete search history.

FIG. 6 is a left side view of the design of FIG. 1.

FIG. 7 is a front view of the design of FIG. 1; and,

FIG. 8 is a right side view of the design of FIG. 1.

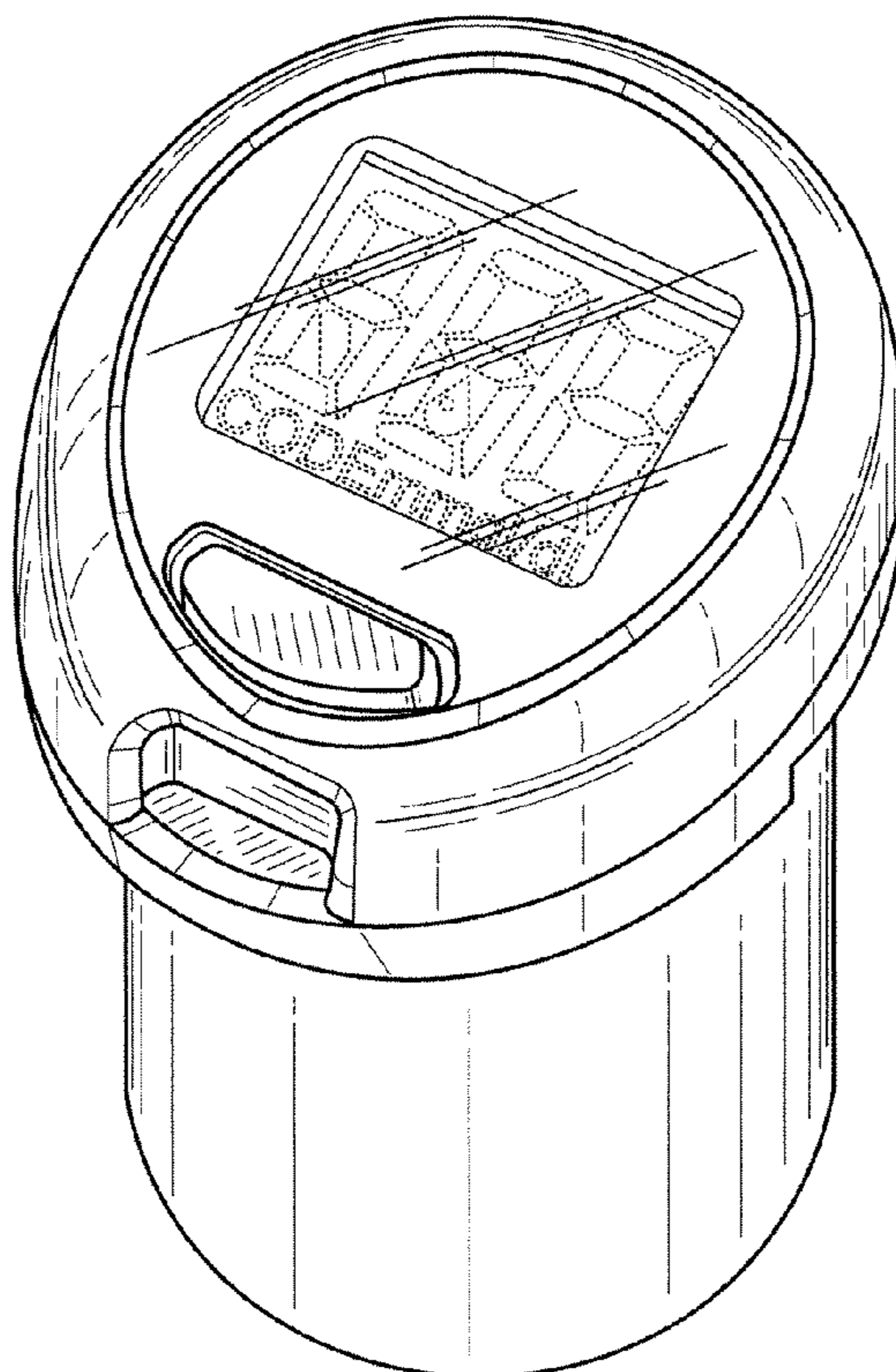
(56) **References Cited**

U.S. PATENT DOCUMENTS

D254,568 S * 3/1980 Mack et al. D24/224
D418,602 S * 1/2000 Prokop et al. D24/169
D429,527 S * 8/2000 Bolam et al. D24/169
D506,832 S * 6/2005 Neel et al. D24/169
D507,657 S * 7/2005 Neel et al. D24/224

The bottom of our diagnostic test system is not visible during
normal use and does not form part of the claimed design. The
broken lines in the figures are for illustrative purposes only
and do not form part of the claimed invention.

1 Claim, 8 Drawing Sheets



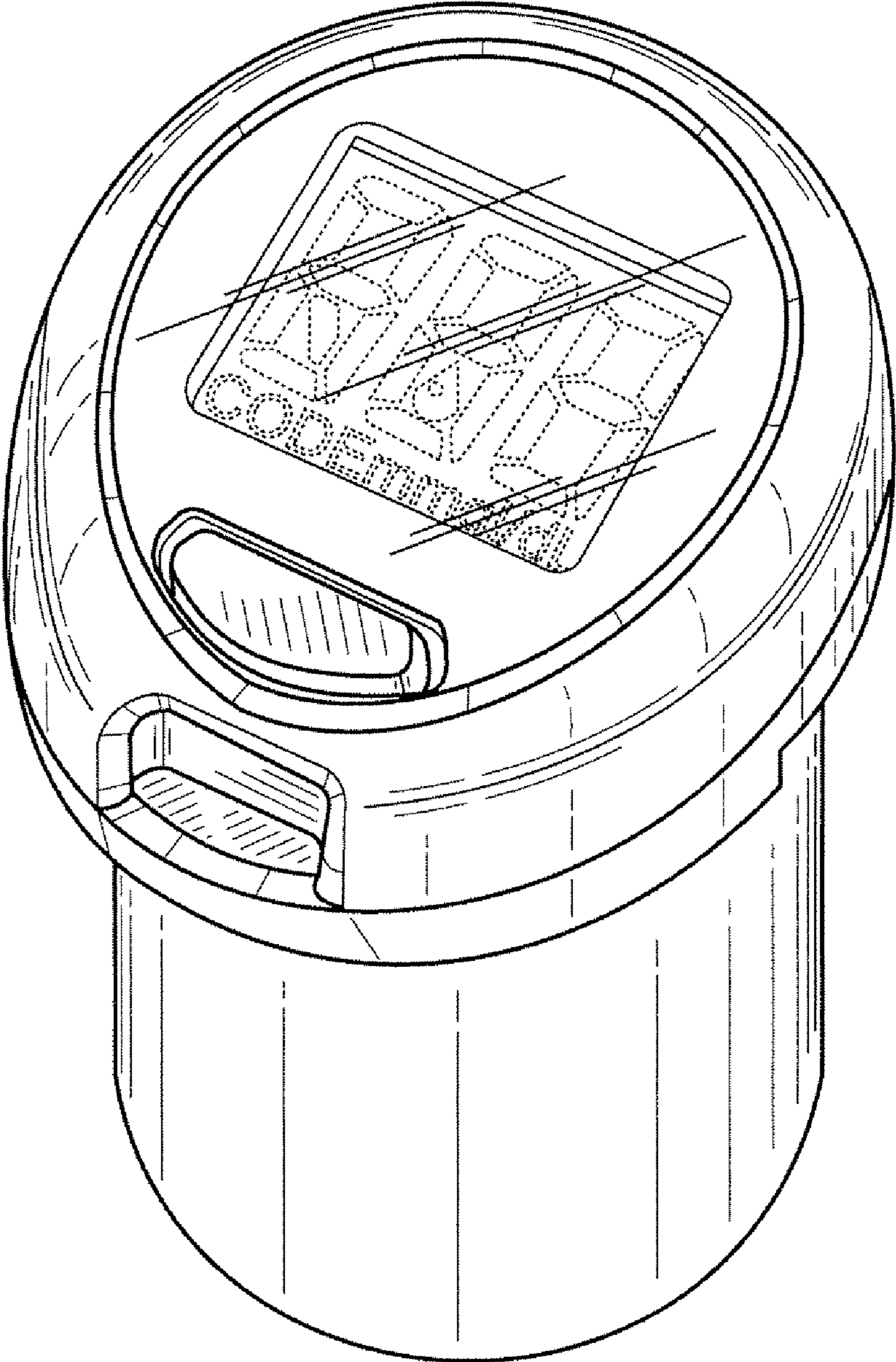


FIG. 1

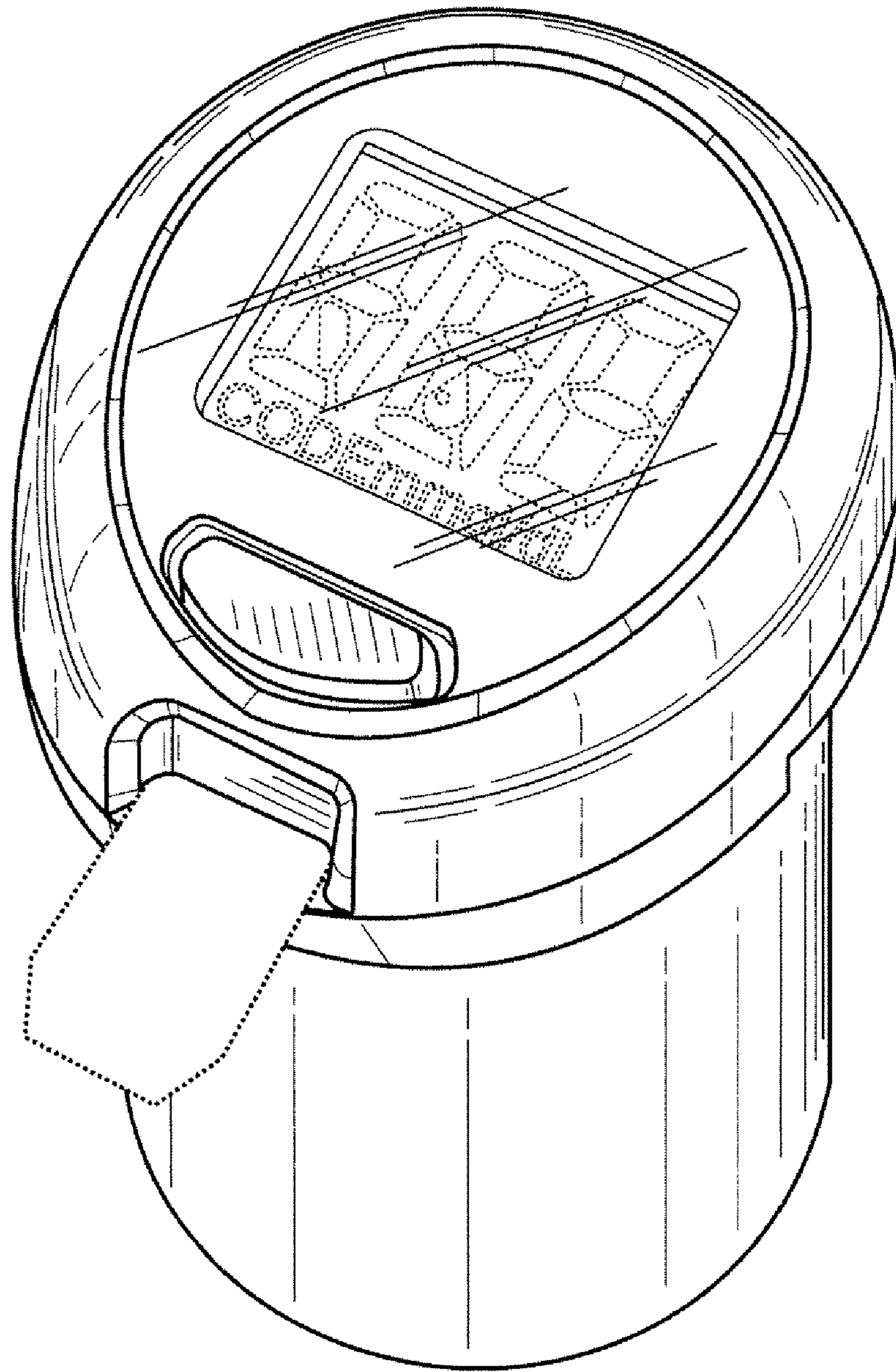


FIG. 2

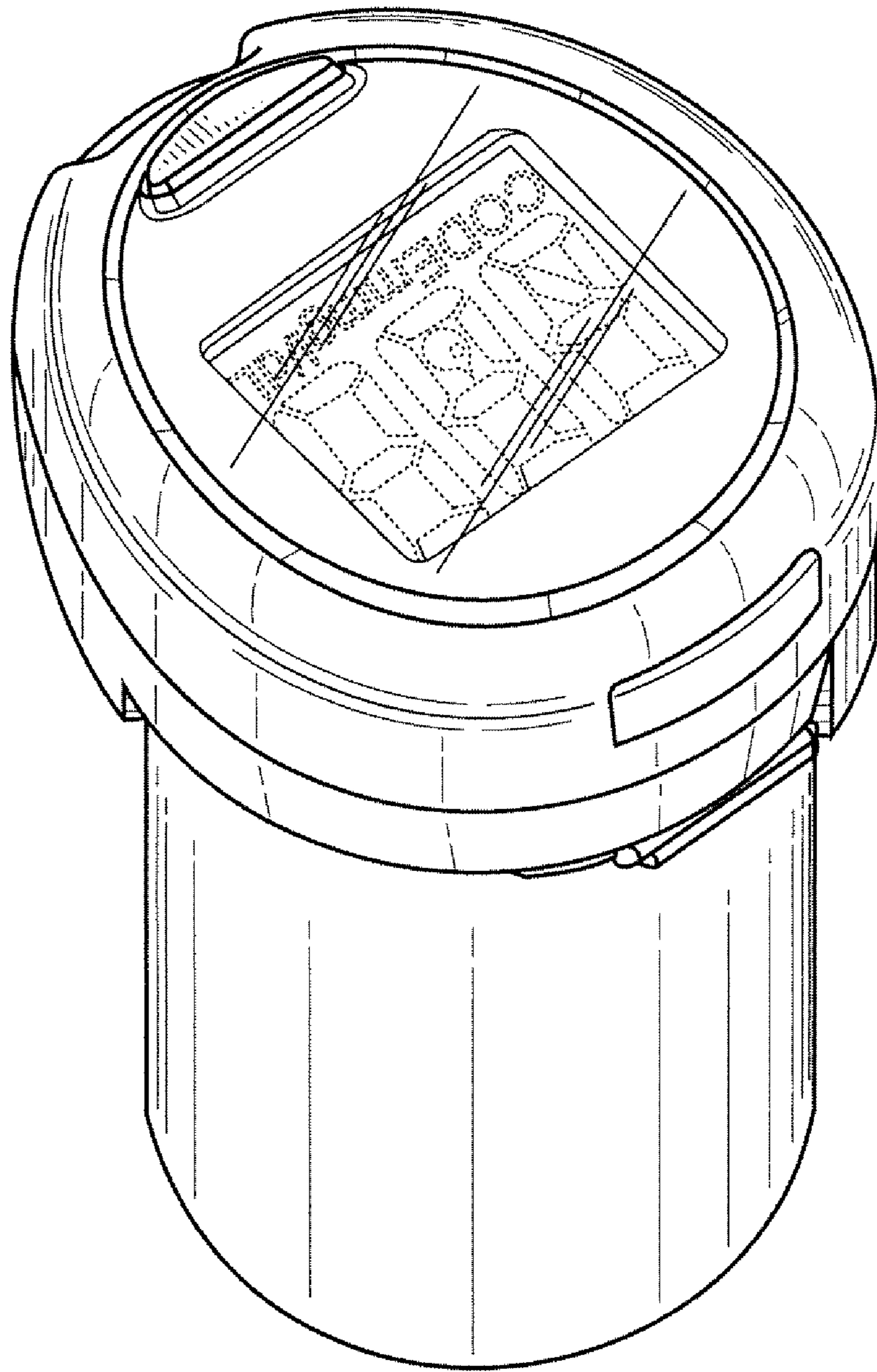


FIG. 3

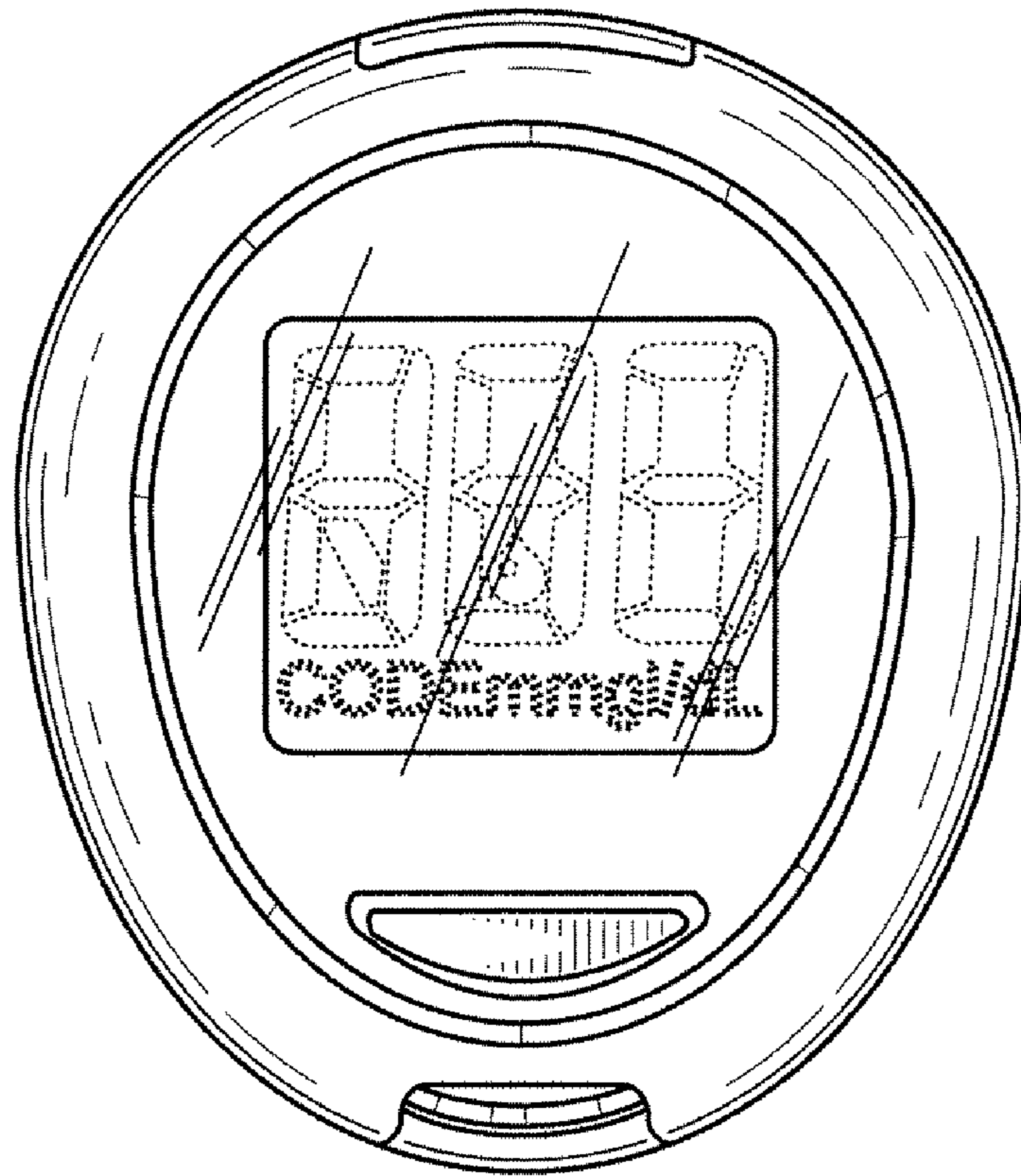


FIG. 4

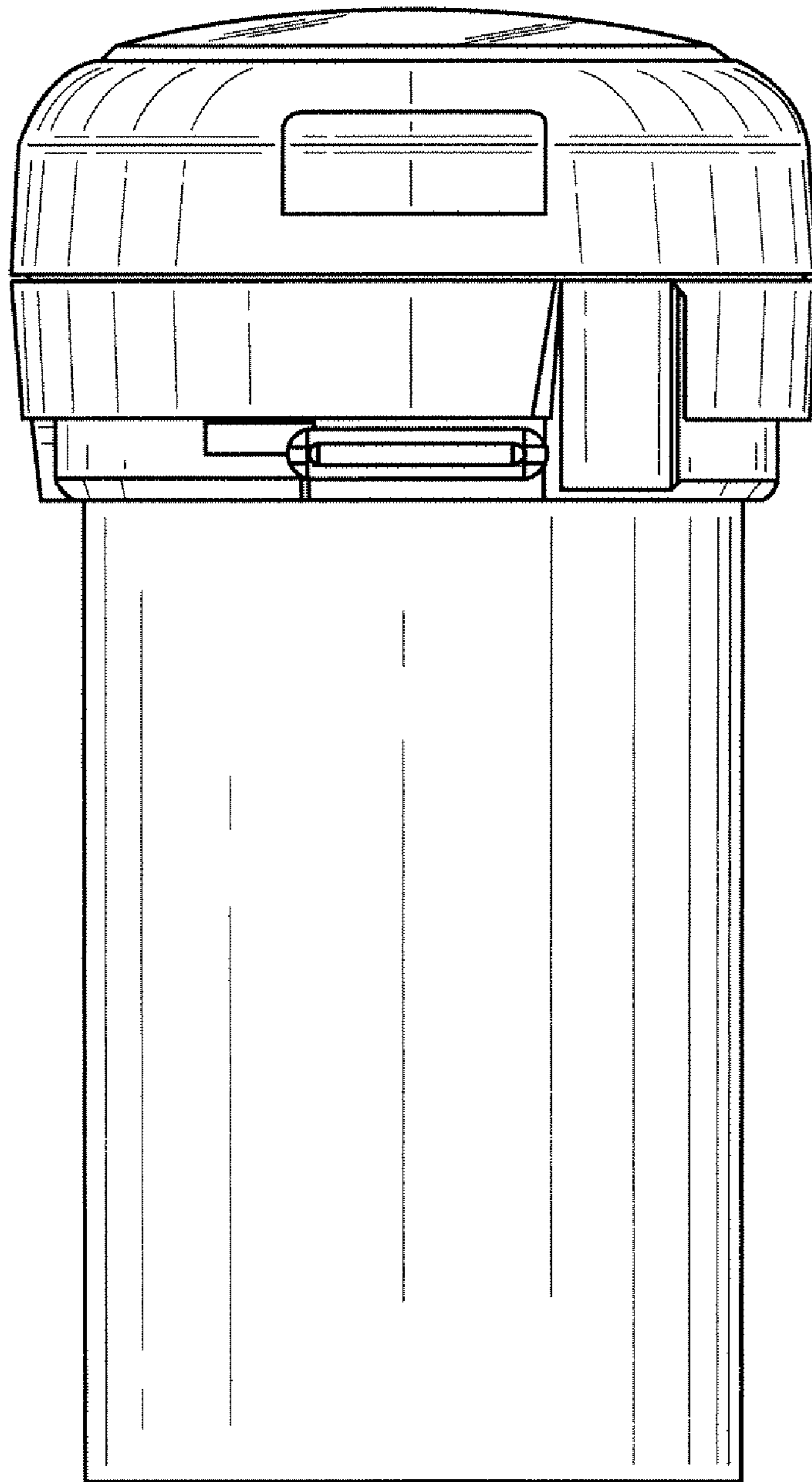


FIG. 5

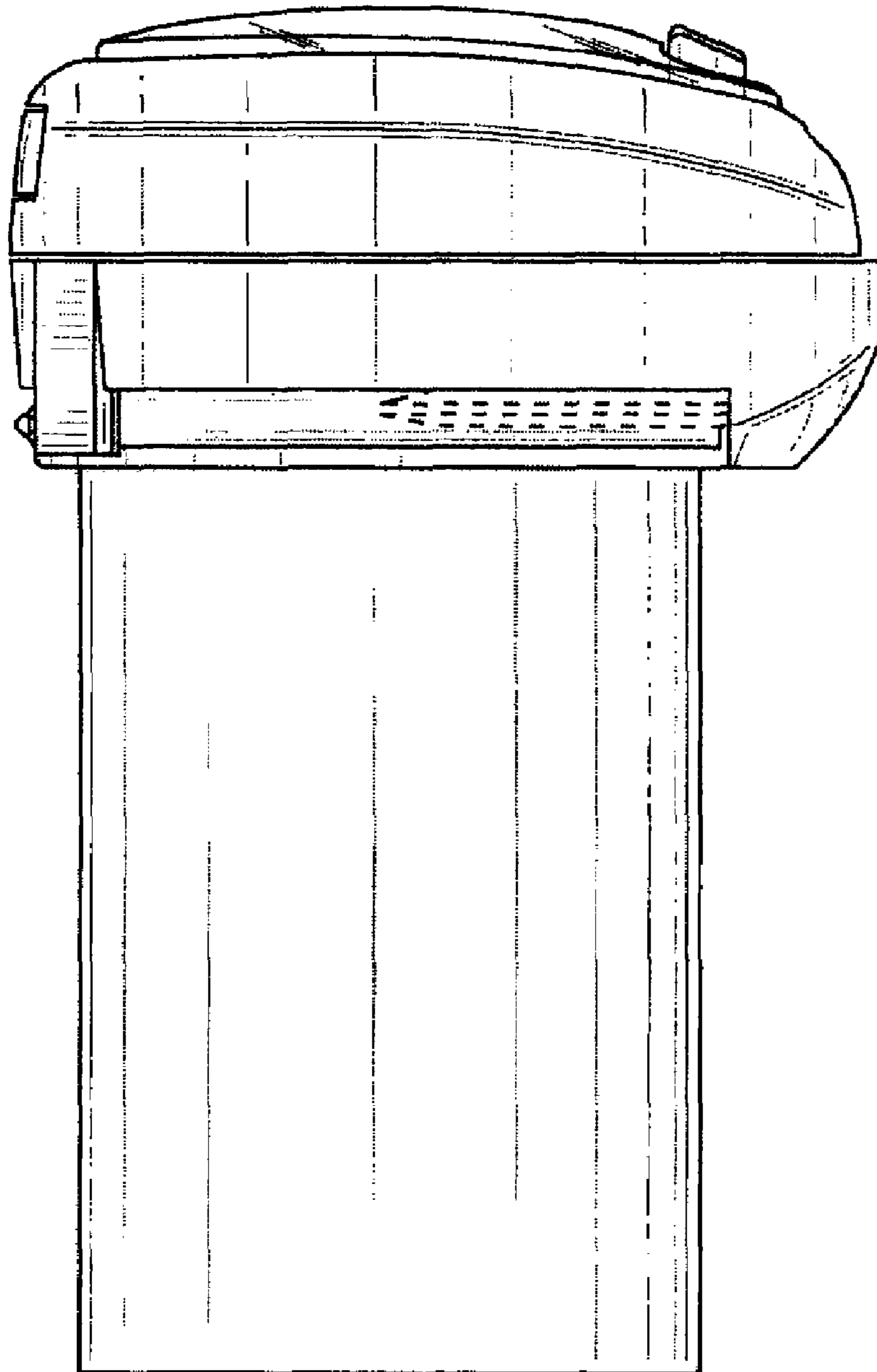


FIG. 6

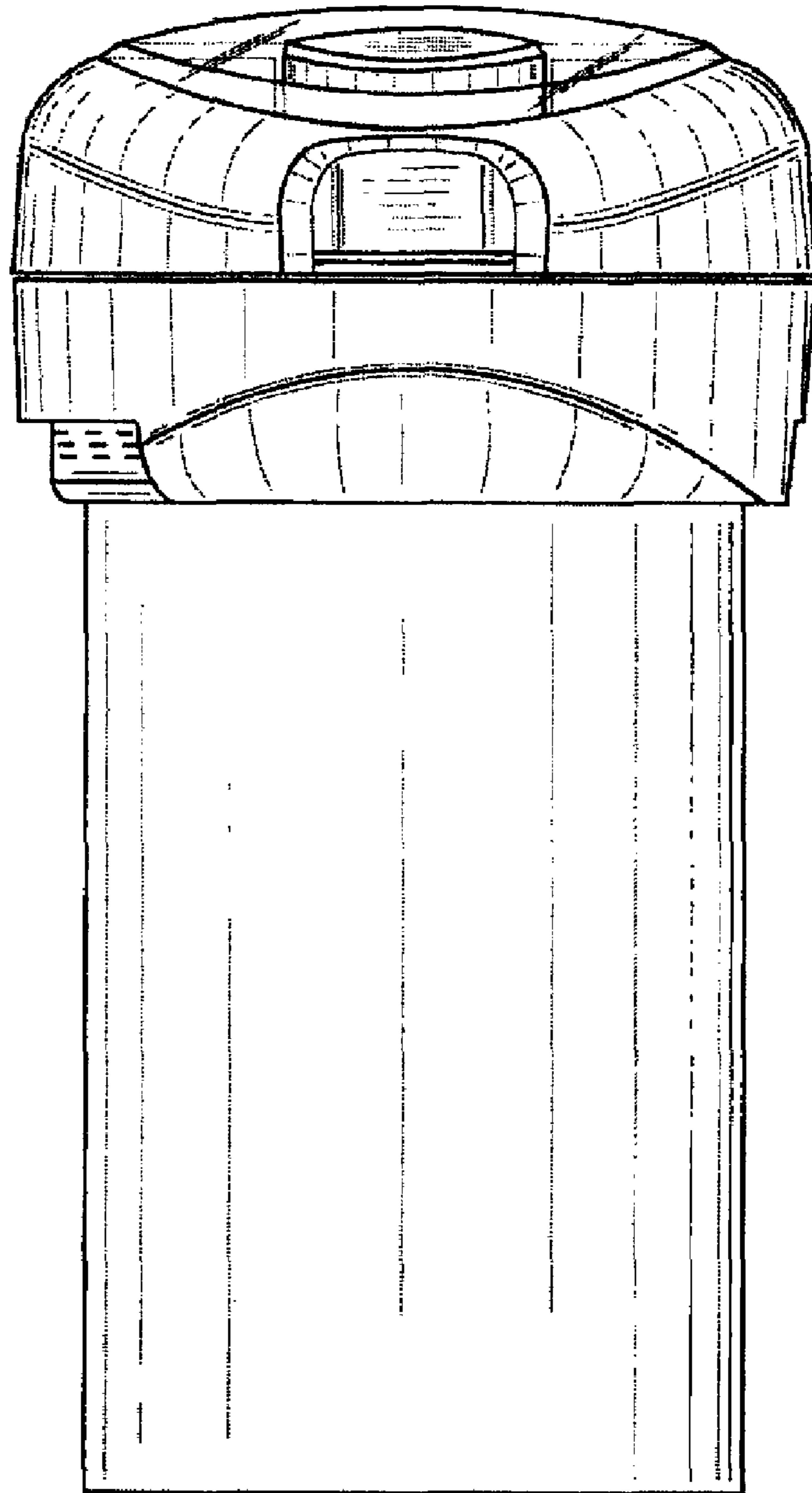


FIG. 7

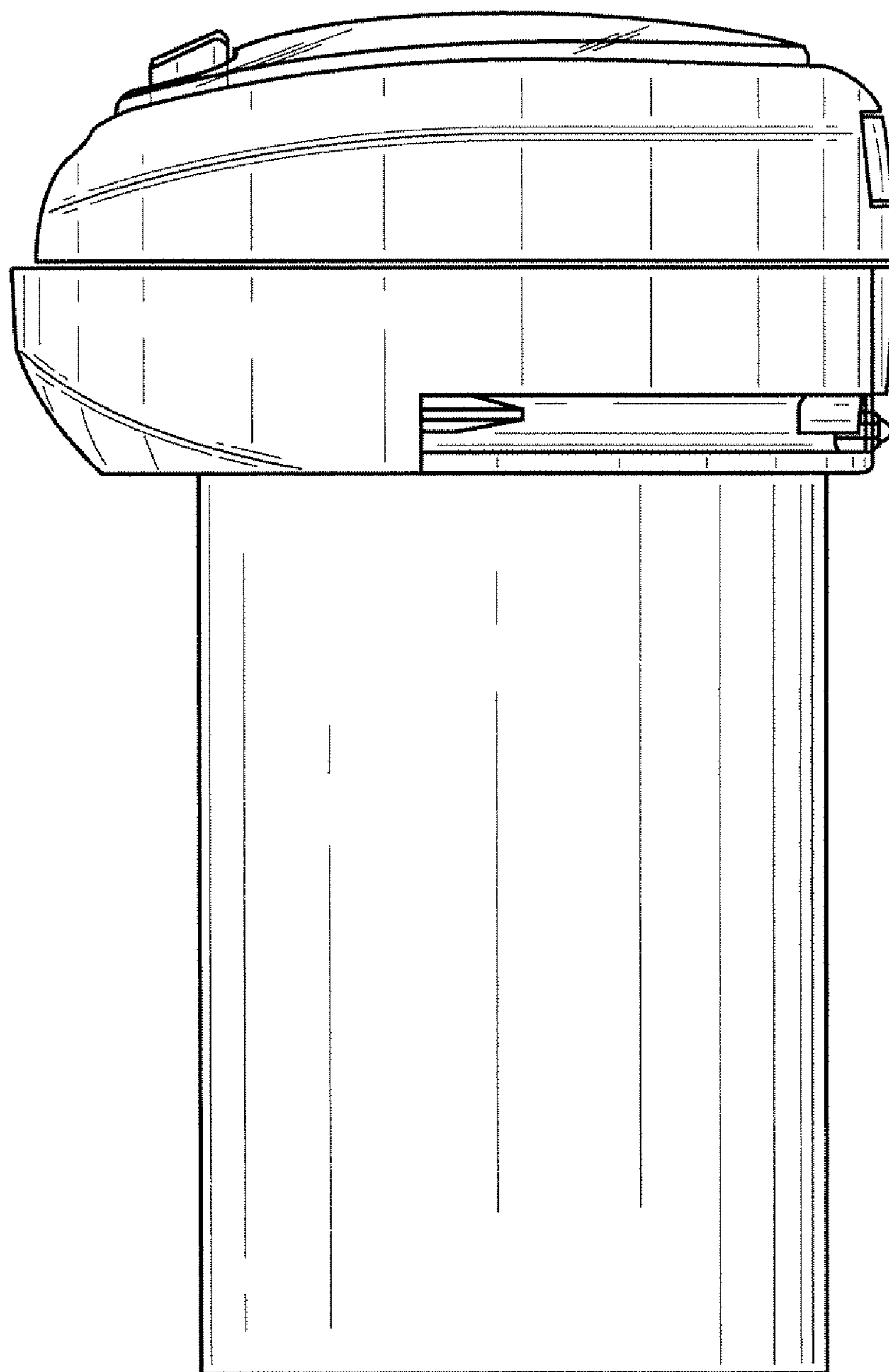


FIG. 8