

US00D600809S

(12) **United States Design Patent**
Petersen

(10) **Patent No.:** **US D600,809 S**

(45) **Date of Patent:** **** Sep. 22, 2009**

(54) **SURGICAL REAMER**

(75) Inventor: **David A. Petersen**, Clearwater, FL (US)

(73) Assignee: **Orthopedic Development Corporation**,
Clearwater, FL (US)

(**) Term: **14 Years**

(21) Appl. No.: **29/302,954**

(22) Filed: **Jan. 29, 2008**

(51) **LOC (9) Cl.** **24-02**

(52) **U.S. Cl.** **D24/146**

(58) **Field of Classification Search** D24/146,
D24/147, 150, 151, 152, 133, 177; D15/132,
D15/133, 138, 139, 126; D8/14, 70, 86;
606/53, 80, 86, 79, 88, 8; 408/213, 225,
408/212, 230

See application file for complete search history.

(56) **References Cited**

U.S. PATENT DOCUMENTS

D189,499 S *	12/1960	Sussman	D15/139
3,667,857 A *	6/1972	Cave et al.	408/230
D257,511 S	11/1980	Zahn	
D271,206 S	11/1983	Devey	
D317,393 S	6/1991	Nishiki	
D318,781 S	8/1991	Nishiki	
D331,464 S	12/1992	Rosenberg et al.	
D332,492 S	1/1993	Rosenberg et al.	
D378,780 S	4/1997	Shuler	
D379,420 S *	5/1997	Standlee et al.	D8/70
D379,578 S *	6/1997	Daniels	D8/70
5,720,749 A *	2/1998	Rupp	606/79
D401,489 S *	11/1998	Ambrose	D8/70
D408,424 S	4/1999	Schmotzer	
D419,575 S	1/2000	Kouvelis	
D472,114 S *	3/2003	Palecki et al.	D8/21
D477,515 S *	7/2003	Winivis	D8/70

D535,400 S	1/2007	May	
D536,095 S	1/2007	May	
7,402,040 B2 *	7/2008	Turri	433/165
2006/0100631 A1 *	5/2006	Sullivan et al.	606/80

OTHER PUBLICATIONS

“Tunnel Preparation”—http://www.conmed.com/products_knee_tunnelprep.php.

“Reamers”—http://www.precisionedge.com/products_ream.html.

* cited by examiner

Primary Examiner—Ian Simmons

Assistant Examiner—Christopher Lee

(74) *Attorney, Agent, or Firm*—Don J. Pelto, Esquire;
Sheppard Mullin Richter Hampton, LLP

(57) **CLAIM**

I claim the ornamental design for a surgical reamer, as shown and described.

DESCRIPTION

FIG. 1 is a side view of a surgical reamer embodying my new design.

FIG. 2 is an alternative side view of a surgical reamer embodying my new design.

FIG. 3 is a top view of a surgical reamer embodying my new design.

FIG. 4 is a bottom view of a surgical reamer embodying my new design.

FIG. 5 is an enlarged side view of a surgical reamer tip embodying my new design; and,

FIG. 6 is an enlarged perspective view of a surgical reamer tip embodying my new design.

The broken lines illustrate environmental structure of the surgical ream, which forms no part of the claimed design.

1 Claim, 3 Drawing Sheets

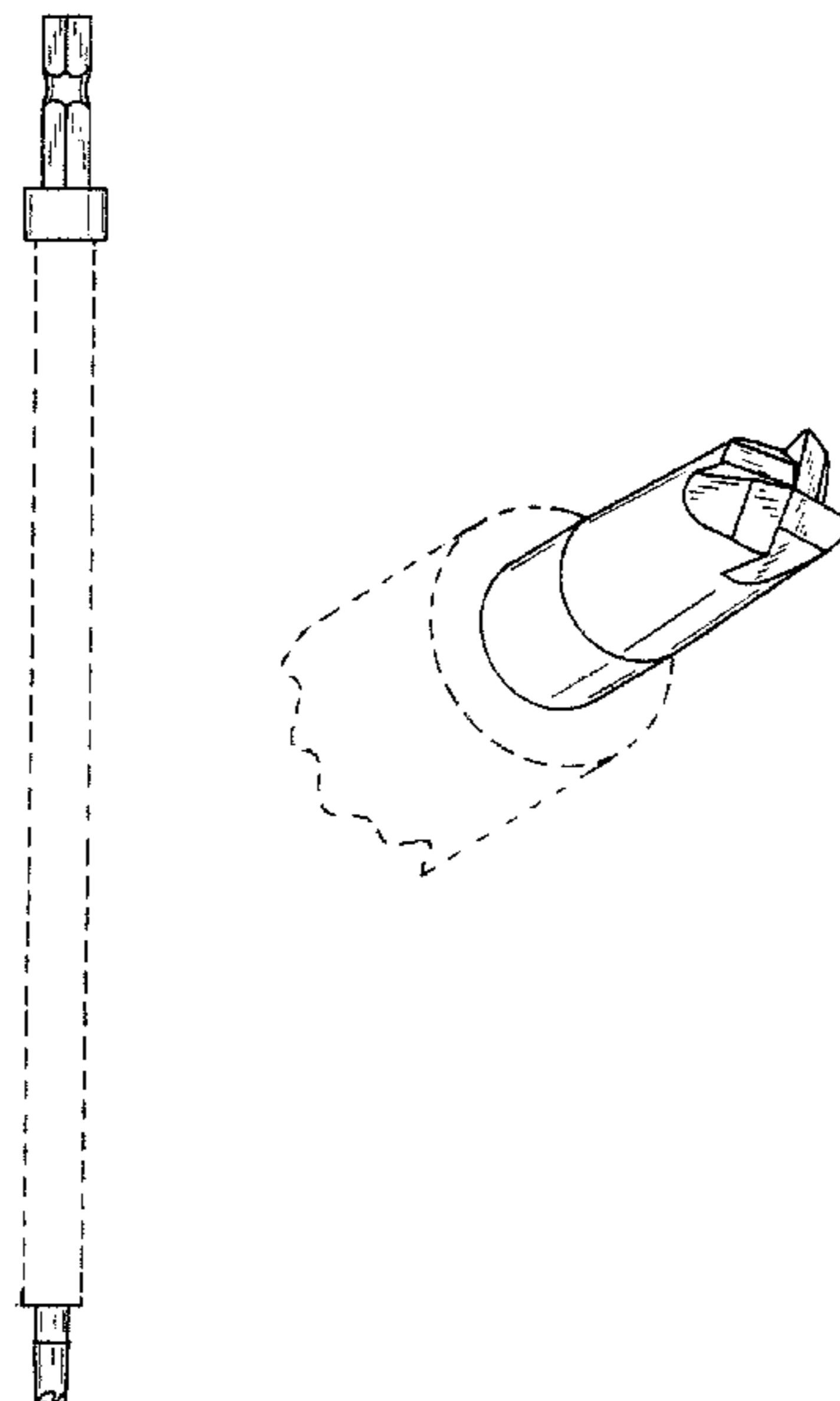




FIG. 1



FIG. 2

FIG. 3

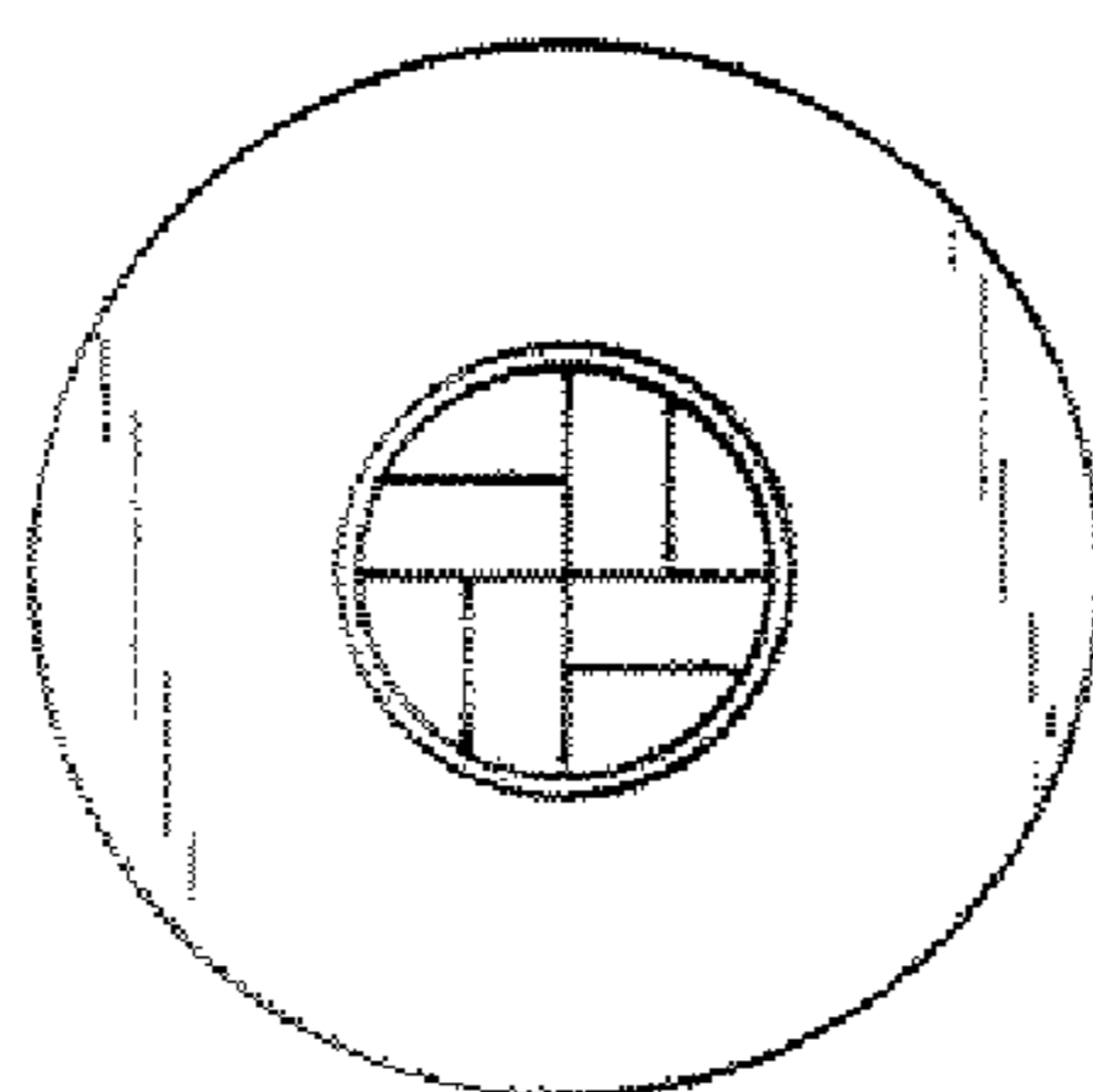
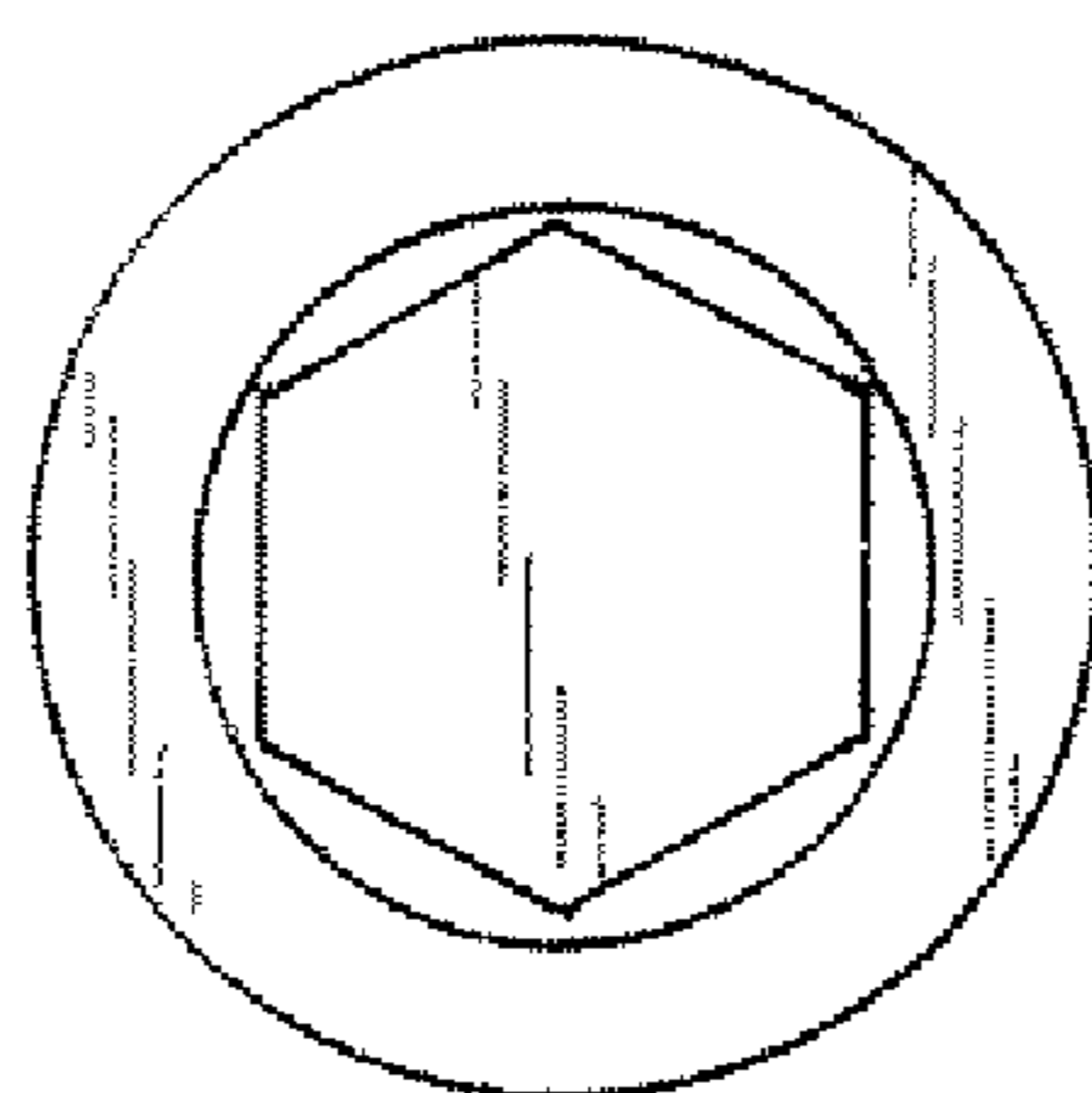


FIG. 4

FIG. 5

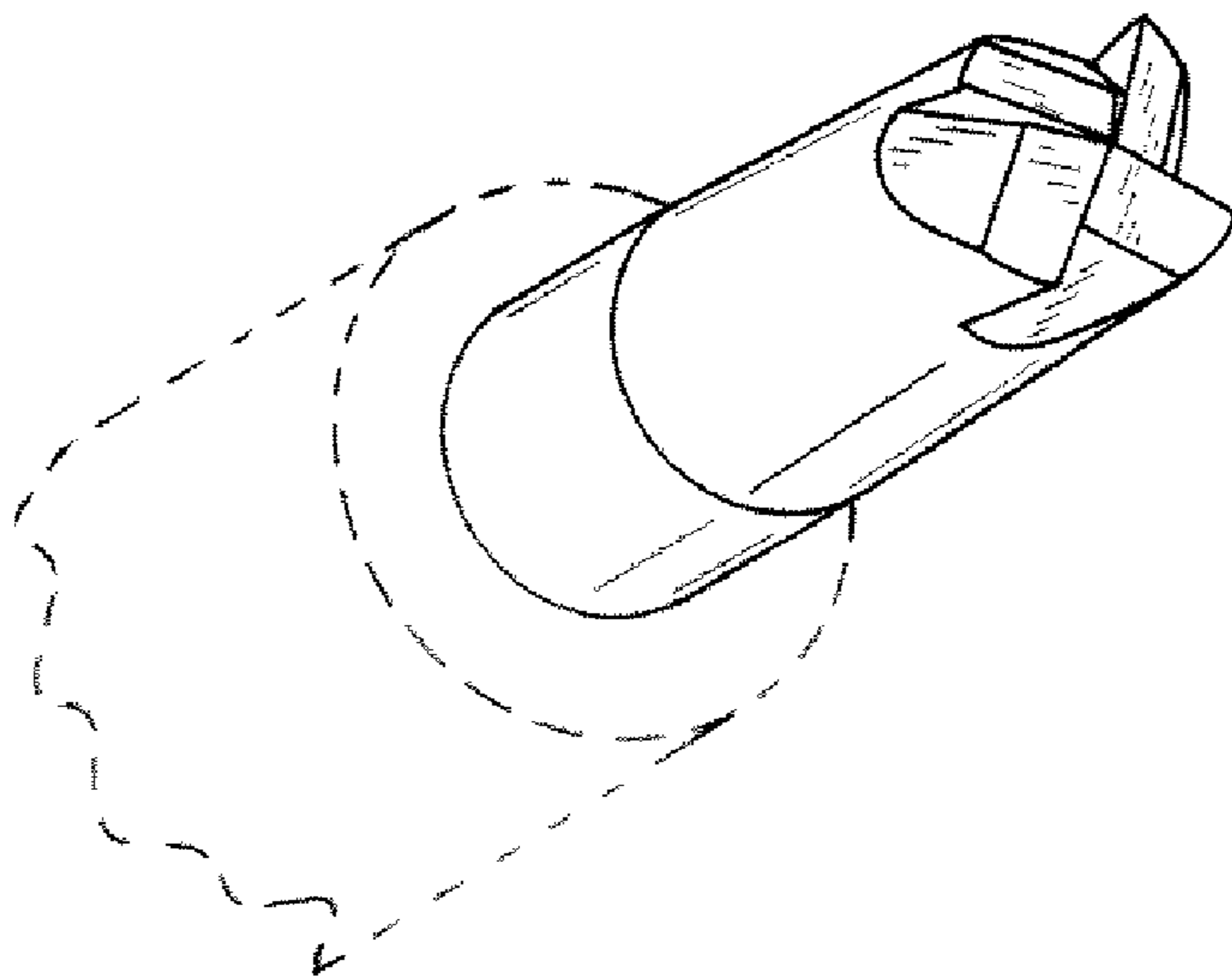
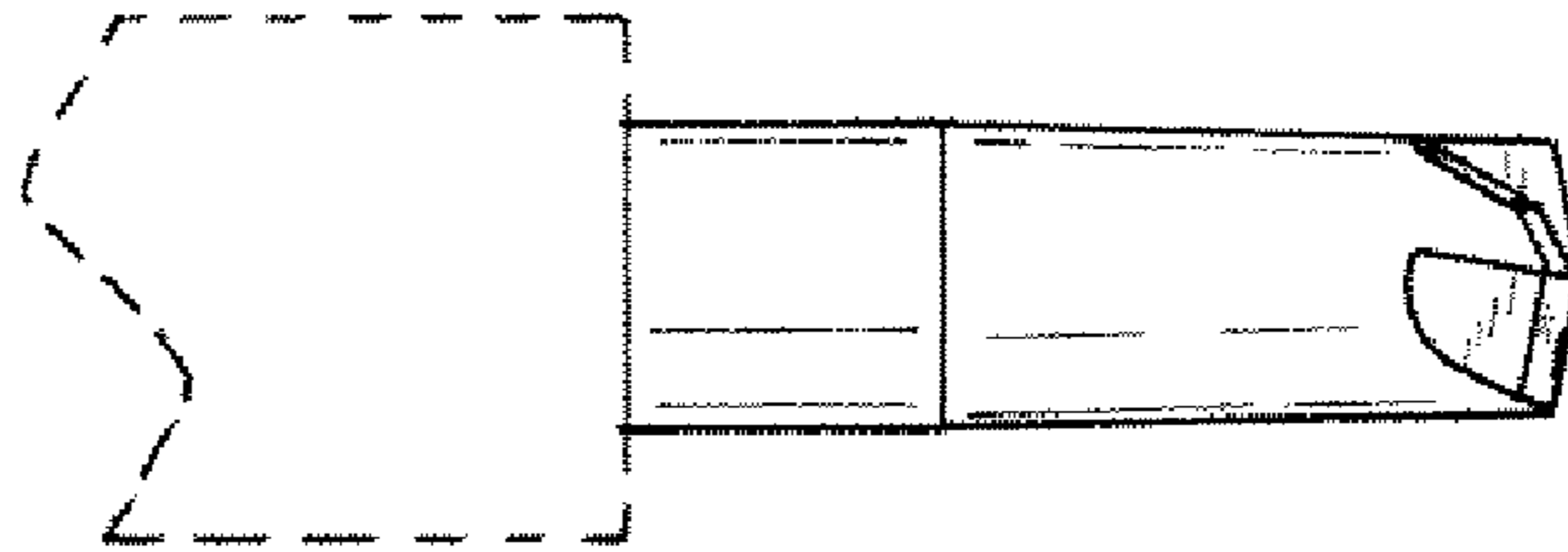


FIG. 6