



US00D600807S

(12) **United States Design Patent**
Dienst et al.

(10) **Patent No.:** **US D600,807 S**

(45) **Date of Patent:** **** Sep. 22, 2009**

(54) **AIMING DEVICE**

(75) Inventors: **Michael Dienst**, Homburg (DE);
Andreas Weiler, Berlin (DE); **Sascha**
Berberich, Tuttlingen (DE); **Sebastian**
Frey, Villingen-Schwenningen (DE);
Michael Sauer, Tuttlingen (DE)

(73) Assignee: **Karl Storz GmbH & Co. KG** (DE)

(**) Term: **14 Years**

(21) Appl. No.: **29/328,884**

(22) Filed: **Dec. 3, 2008**

(30) **Foreign Application Priority Data**

Jun. 4, 2008 (EM) 000946744

(51) **LOC (9) Cl.** **24-02**

(52) **U.S. Cl.** **D24/140**

(58) **Field of Classification Search** D24/127-128,
D24/133, 135, 138, 140, 145, 169, 191, 224,
D24/227; D10/30-32, 38, 57, 70, 78, 81,
D10/98, 104; 606/87-88, 96, 102-103, 142,
606/151, 157-158, 213; 600/229; 403/56;
248/276.1, 288.51, 316.4; 29/229, 243.56,
29/268; 455/404.1; 227/902, 260; D8/16,
D8/19, 355; 24/510; D16/242-245

See application file for complete search history.

(56) **References Cited**

U.S. PATENT DOCUMENTS

D238,540 S * 1/1976 Holly D24/140

4,672,957 A * 6/1987 Hourahane 606/80
4,883,048 A * 11/1989 Purnell et al. 606/96
D367,706 S * 3/1996 Stalcup et al. D24/140
5,562,664 A * 10/1996 Durlacher et al. 606/96
5,643,273 A * 7/1997 Clark 606/96
D420,132 S * 2/2000 Bucholz et al. D24/140
6,918,916 B2 * 7/2005 Gobel et al. 606/96
7,201,756 B2 * 4/2007 Ross et al. 606/96
D549,334 S * 8/2007 Henkin et al. D24/138

* cited by examiner

Primary Examiner—Philip S Hyder

Assistant Examiner—Susan E Krakower

(74) *Attorney, Agent, or Firm*—St. Onge Steward Johnston &
Reens LLC

(57) **CLAIM**

The ornamental design for an aiming device, as shown and described.

DESCRIPTION

FIG. 1 is a front isometric view of an aiming device in accordance with the new design;

FIG. 2 is a left side view thereof;

FIG. 3 is a right side view thereof;

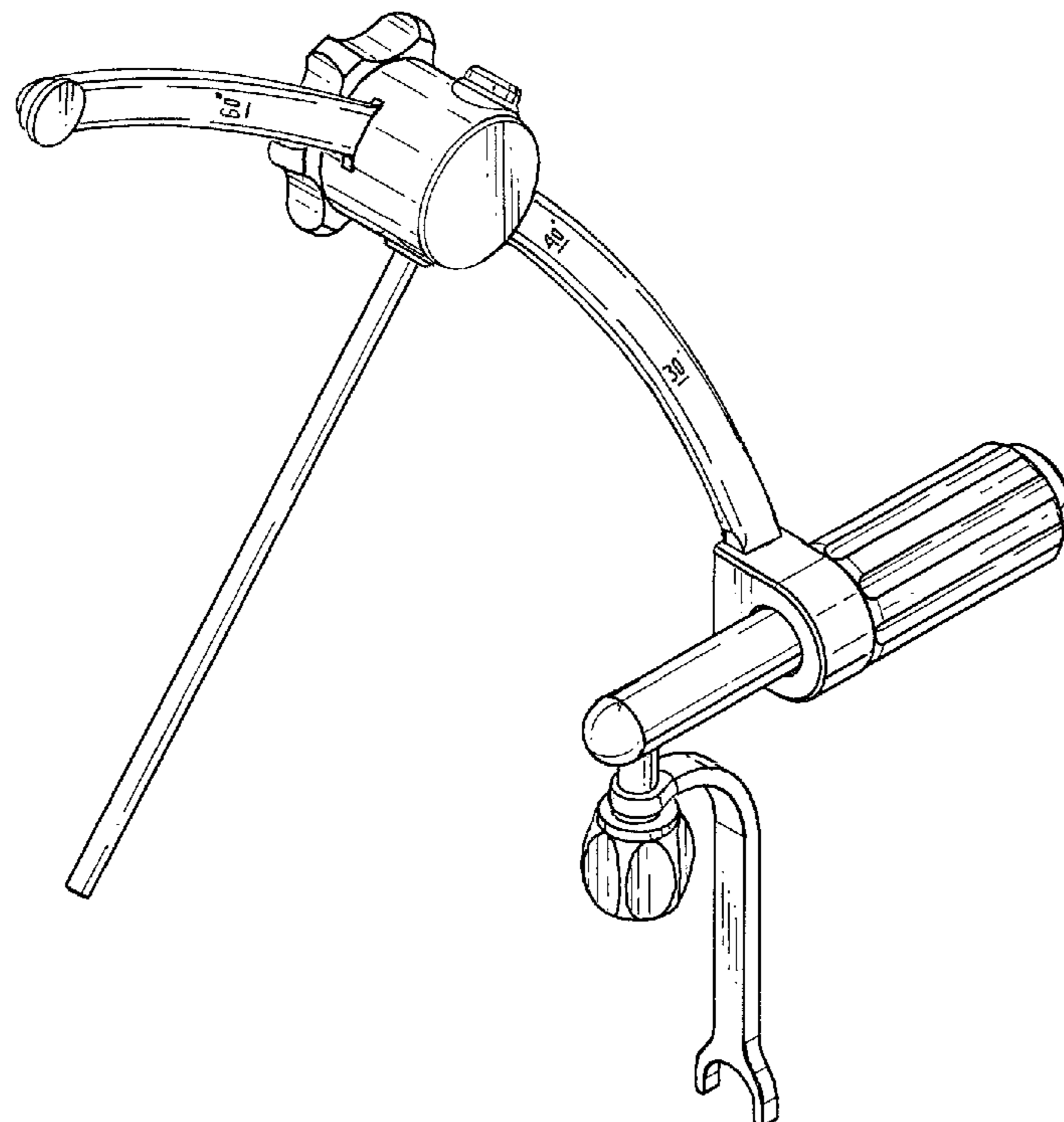
FIG. 4 is a bottom view thereof;

FIG. 5 is a top view thereof;

FIG. 6 is a rear view thereof; and,

FIG. 7 is a front view thereof.

1 Claim, 6 Drawing Sheets



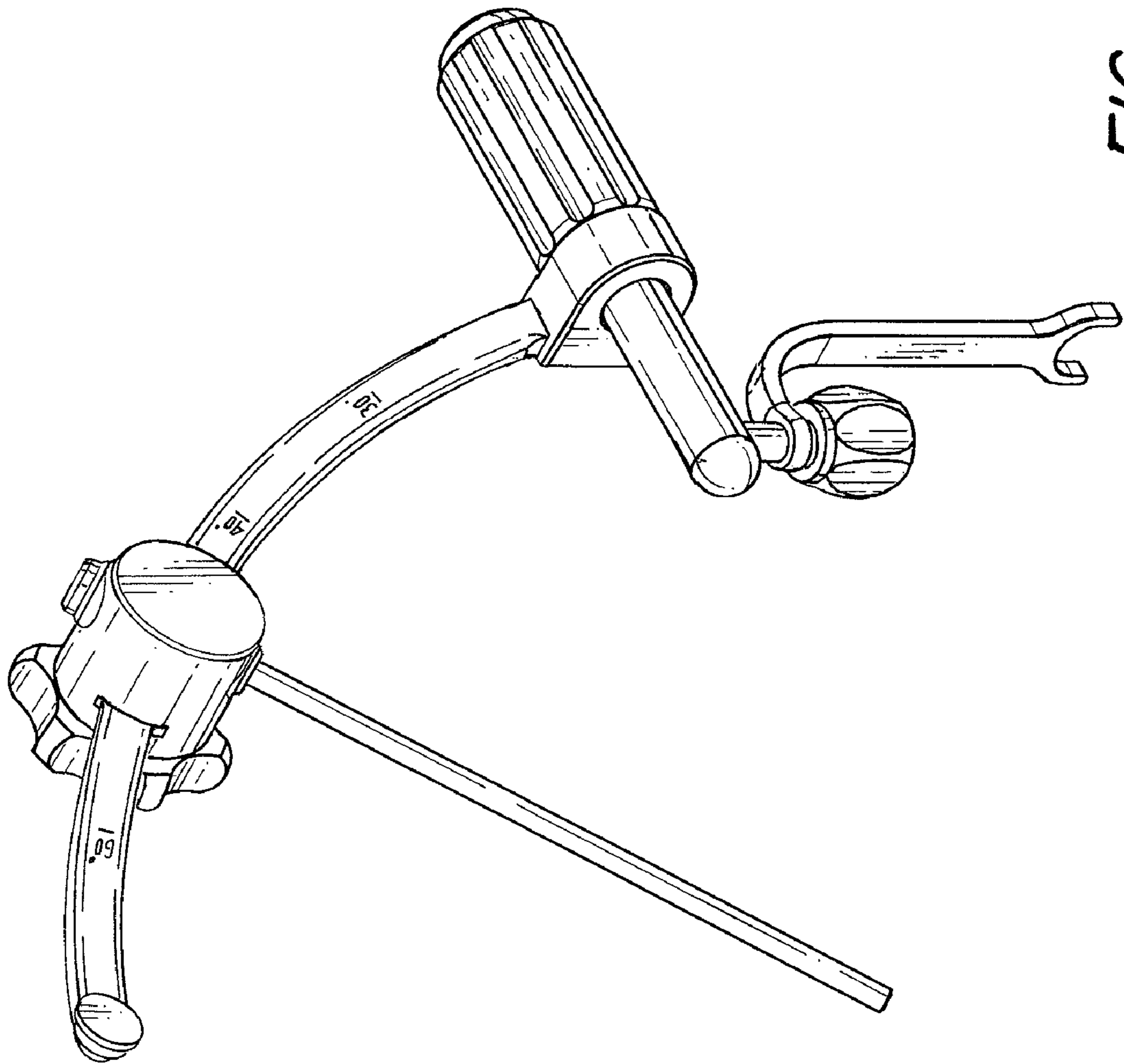


FIG. 1

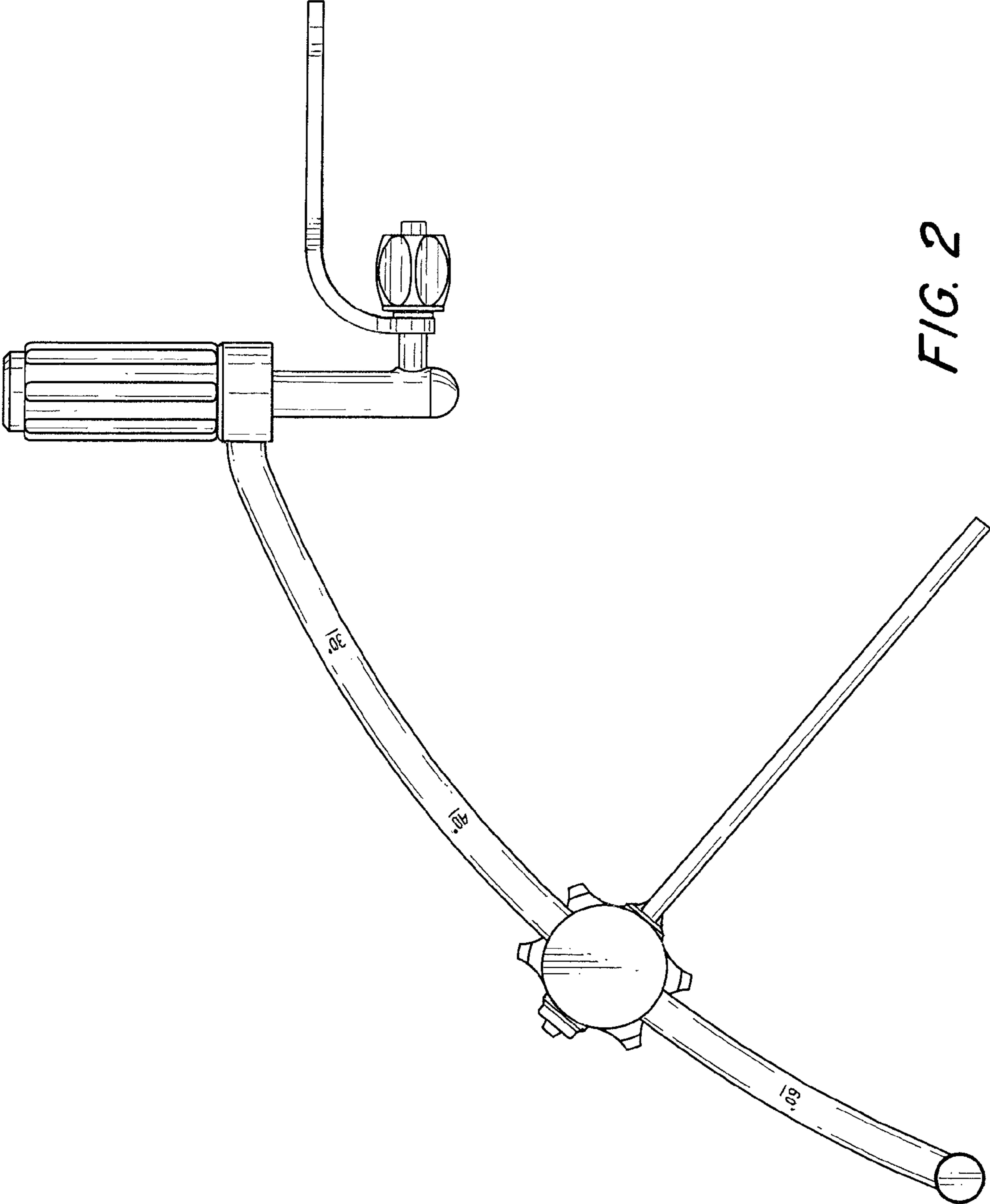
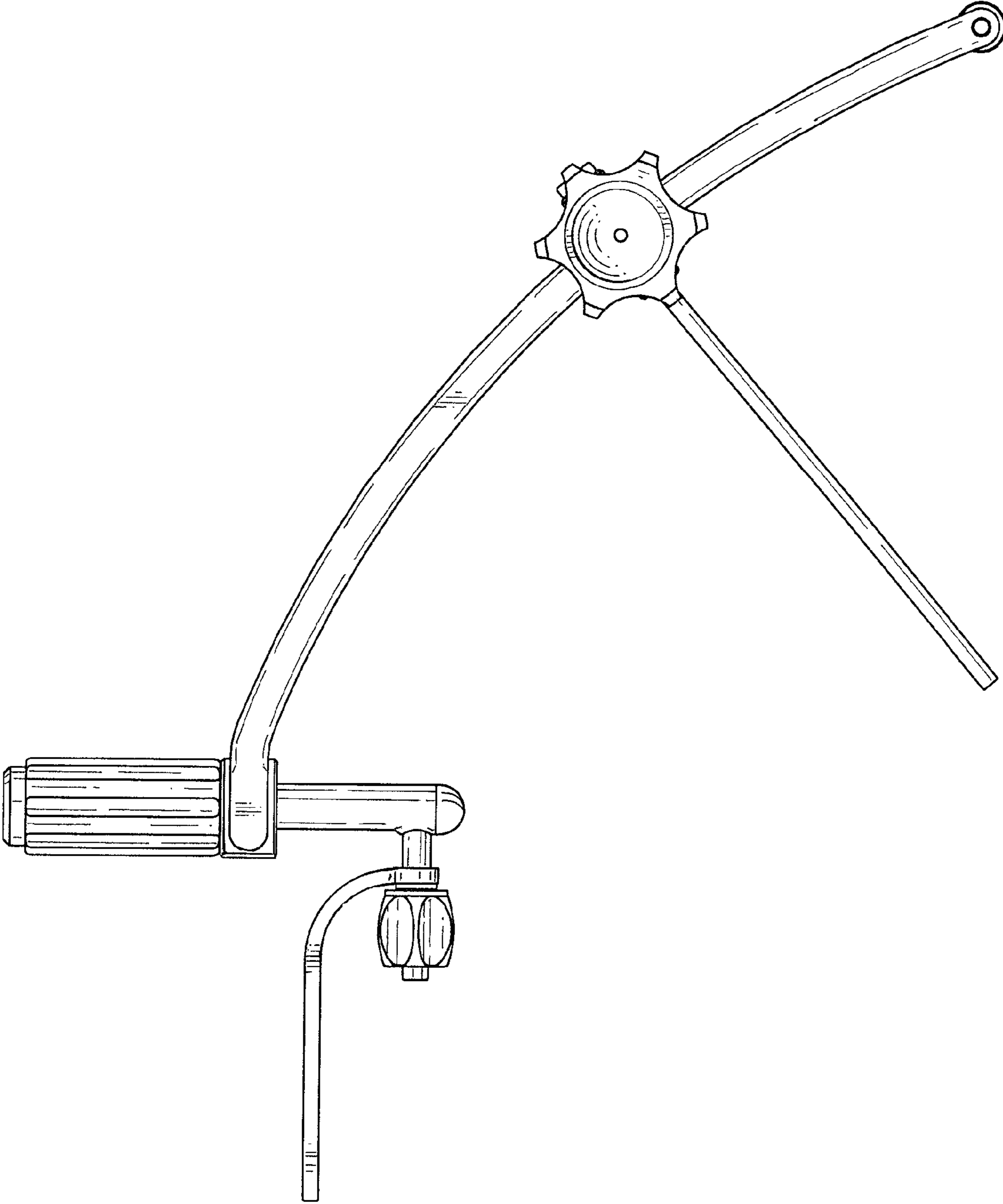


FIG. 2

FIG. 3



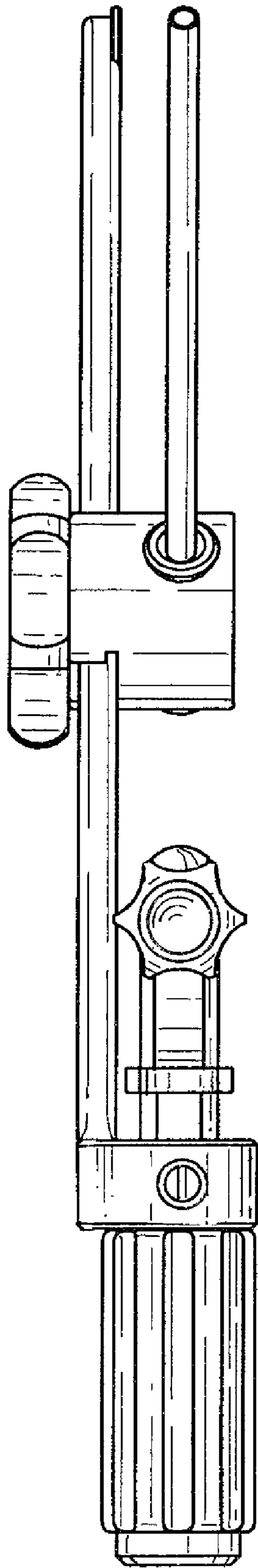


FIG. 4

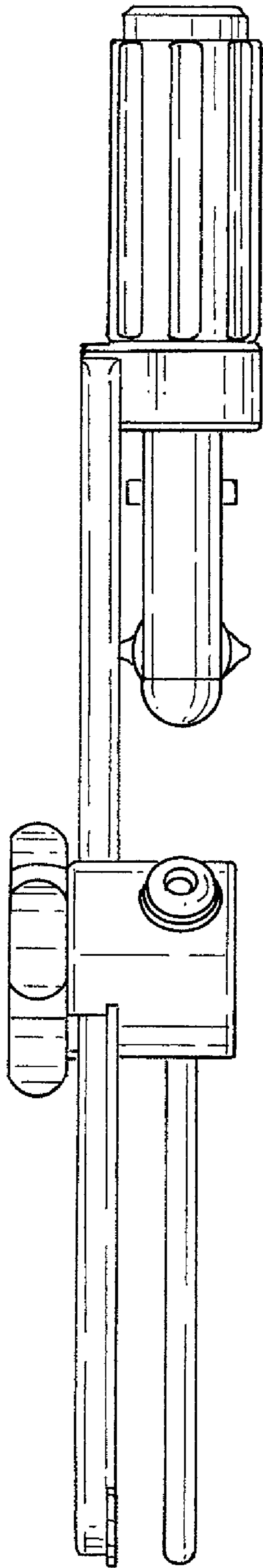


FIG. 5

