



US00D600792S

(12) **United States Design Patent**
Eubanks et al.

(10) **Patent No.:** **US D600,792 S**

(45) **Date of Patent:** **** Sep. 22, 2009**

(54) **TUBING CASSETTE**

7,320,681 B2 * 1/2008 Gillis et al. 604/174

(75) Inventors: **Shannon Eubanks**, Woodinville, WA (US); **Keith Schubert**, Redmond, WA (US); **Peter Bristol**, Shoreline, WA (US)

* cited by examiner

Primary Examiner—Lisa P Lichtenstein
(74) *Attorney, Agent, or Firm*—Victor N. King; Speckman Law Group PLLC

(73) Assignee: **Pathway Medical Technologies, Inc.**, Kirkland, WA (US)

(57) **CLAIM**

(**) Term: **14 Years**

The ornamental design for a tubing cassette, substantially as shown and described.

(21) Appl. No.: **29/332,313**

(22) Filed: **Feb. 12, 2009**

DESCRIPTION

(51) **LOC (9) Cl.** **24-02**

FIG. 1 shows a perspective view of an embodiment of a tubing cassette embodying our new design;

(52) **U.S. Cl.** **D24/111**

FIG. 2 shows a top plan view of the tubing cassette of FIG. 1;

(58) **Field of Classification Search** D24/111, D24/128, 129, 108, 112; 604/174, 179, 34; 128/DIG. 26

FIG. 3 shows a bottom plan view of the tubing cassette of FIG. 1;

See application file for complete search history.

FIG. 4 shows a front view of the tubing cassette of FIG. 1;

FIG. 5 shows a rear view of the tubing cassette of FIG. 1;

(56) **References Cited**

U.S. PATENT DOCUMENTS

- 5,244,464 A * 9/1993 Madden et al. 604/179
- 5,342,317 A * 8/1994 Claywell 604/179
- D367,323 S * 2/1996 Carr et al. D24/111
- 5,496,283 A * 3/1996 Alexander 604/180

FIG. 6 shows a first side view of the tubing cassette of FIG. 1; and,

FIG. 7 shows a second side view of the tubing cassette of FIG. 1.

1 Claim, 4 Drawing Sheets

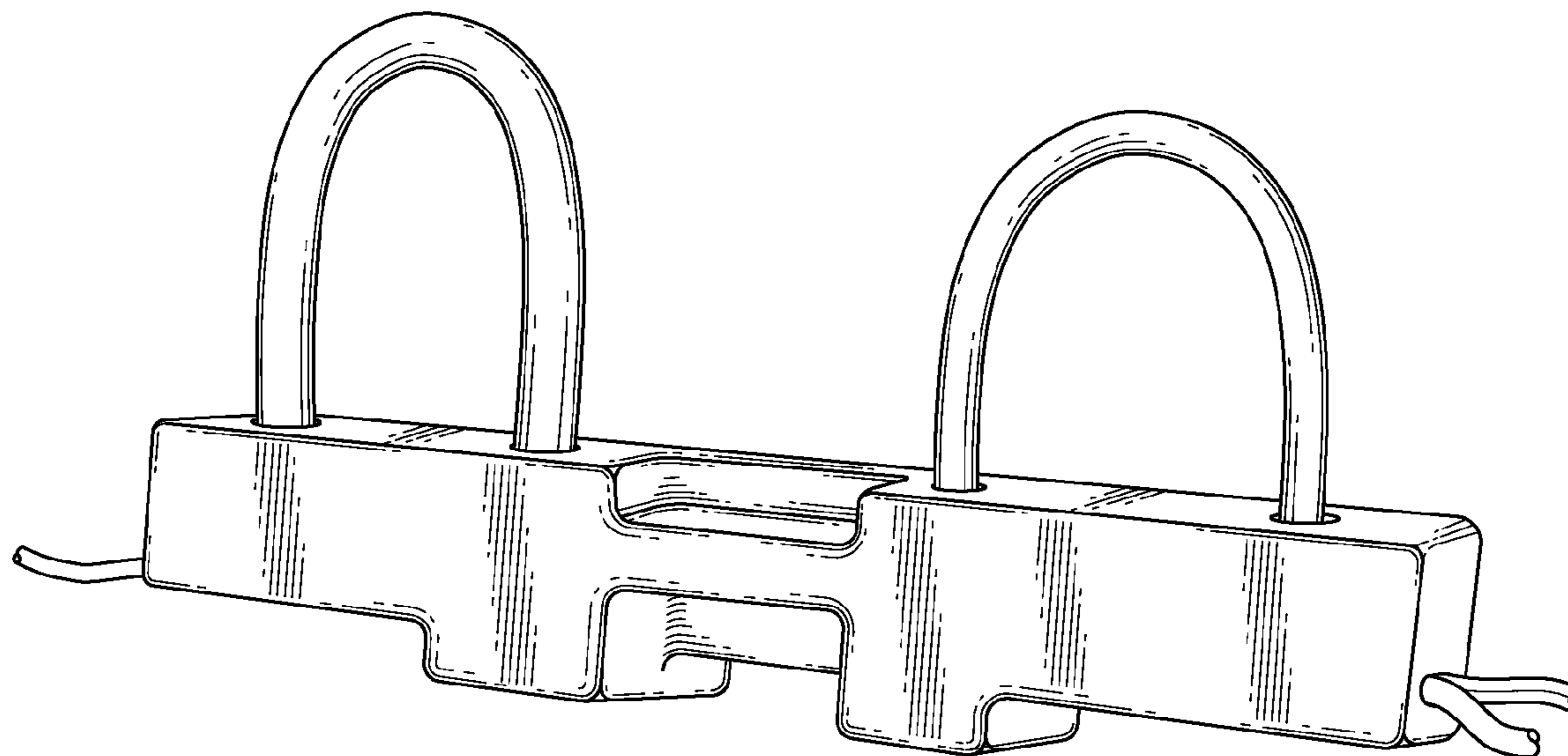


FIG. 1

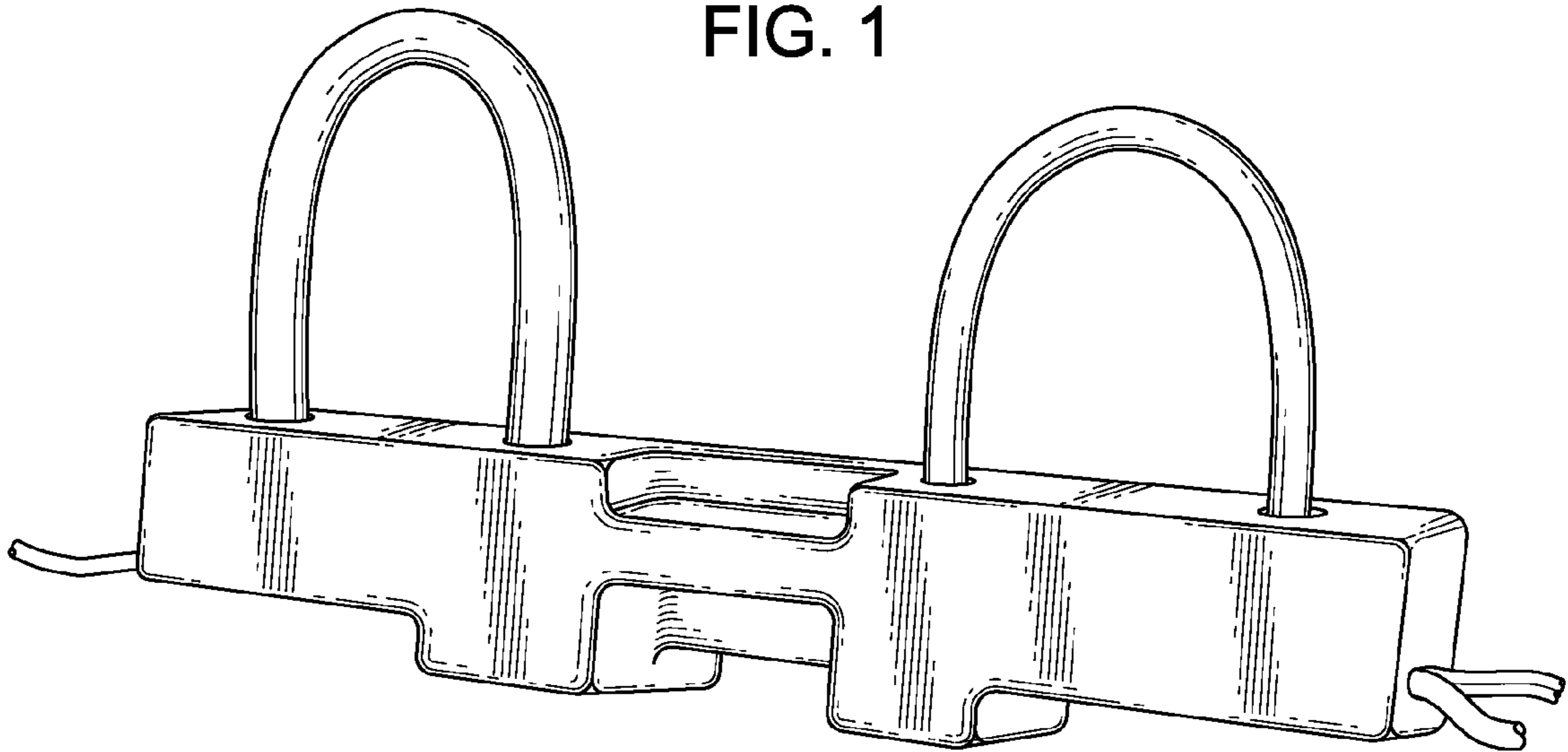


FIG. 2

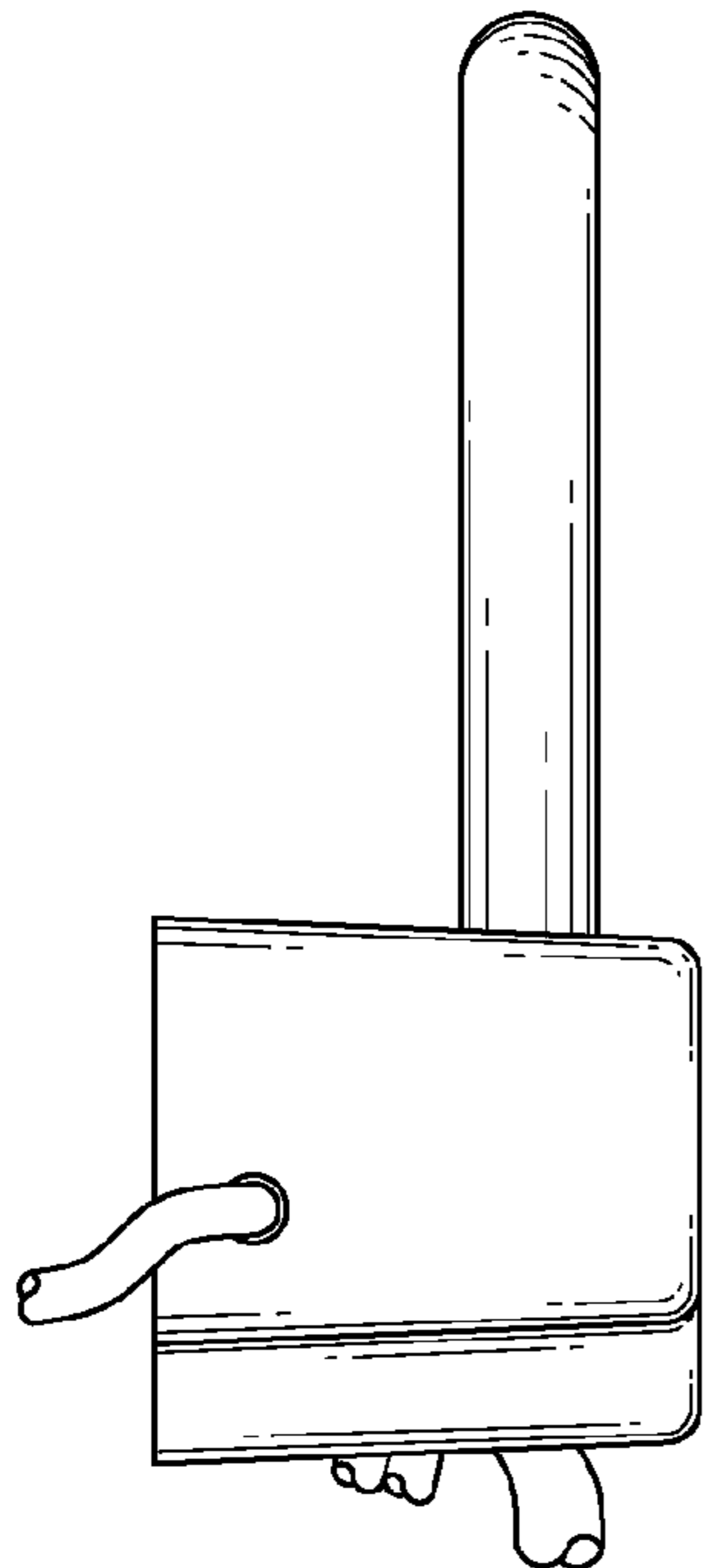
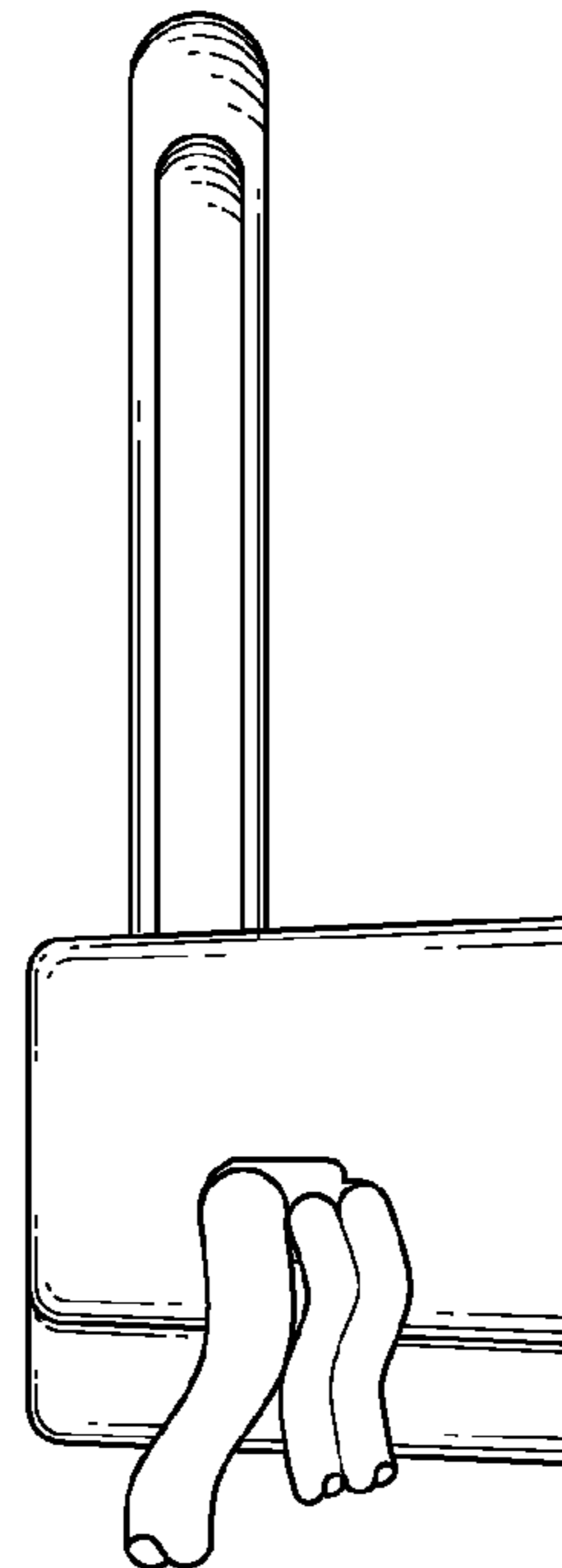


FIG. 3



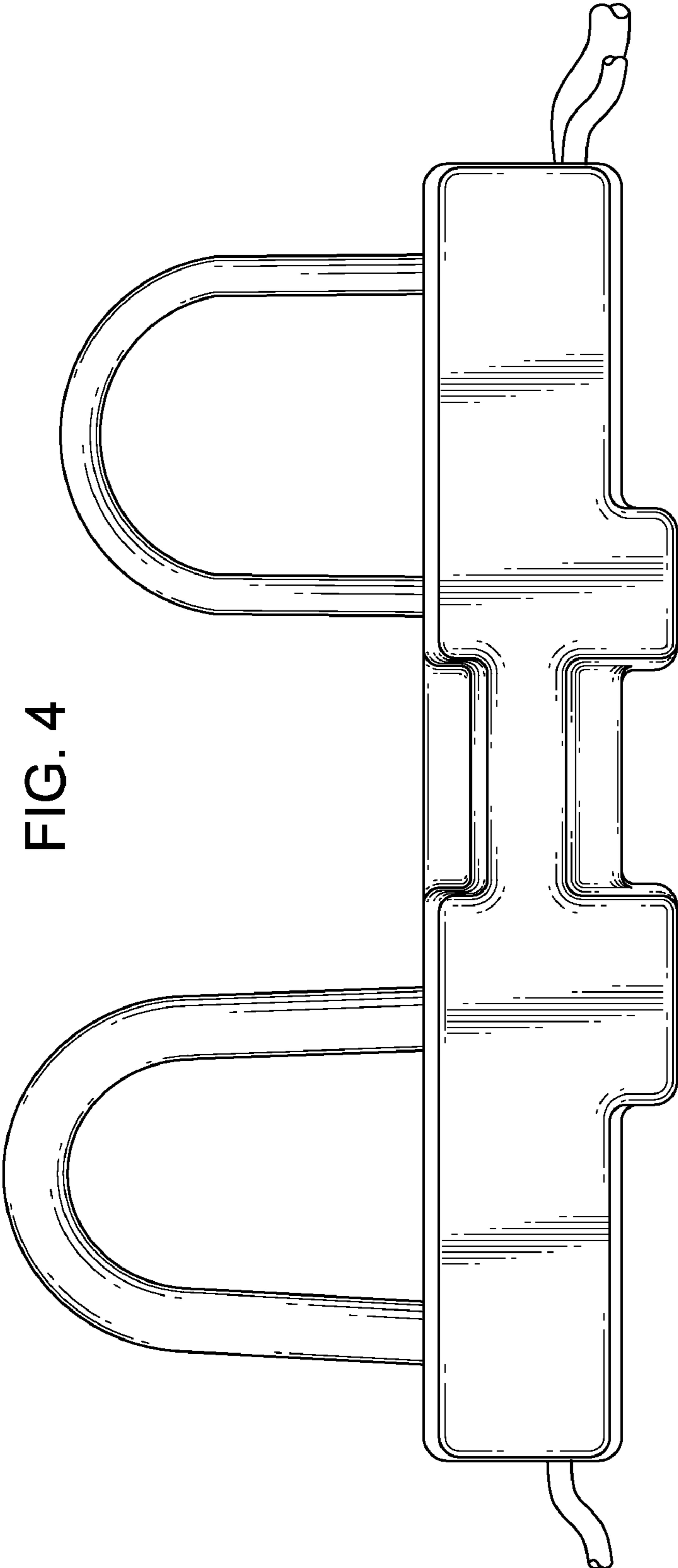


FIG. 4

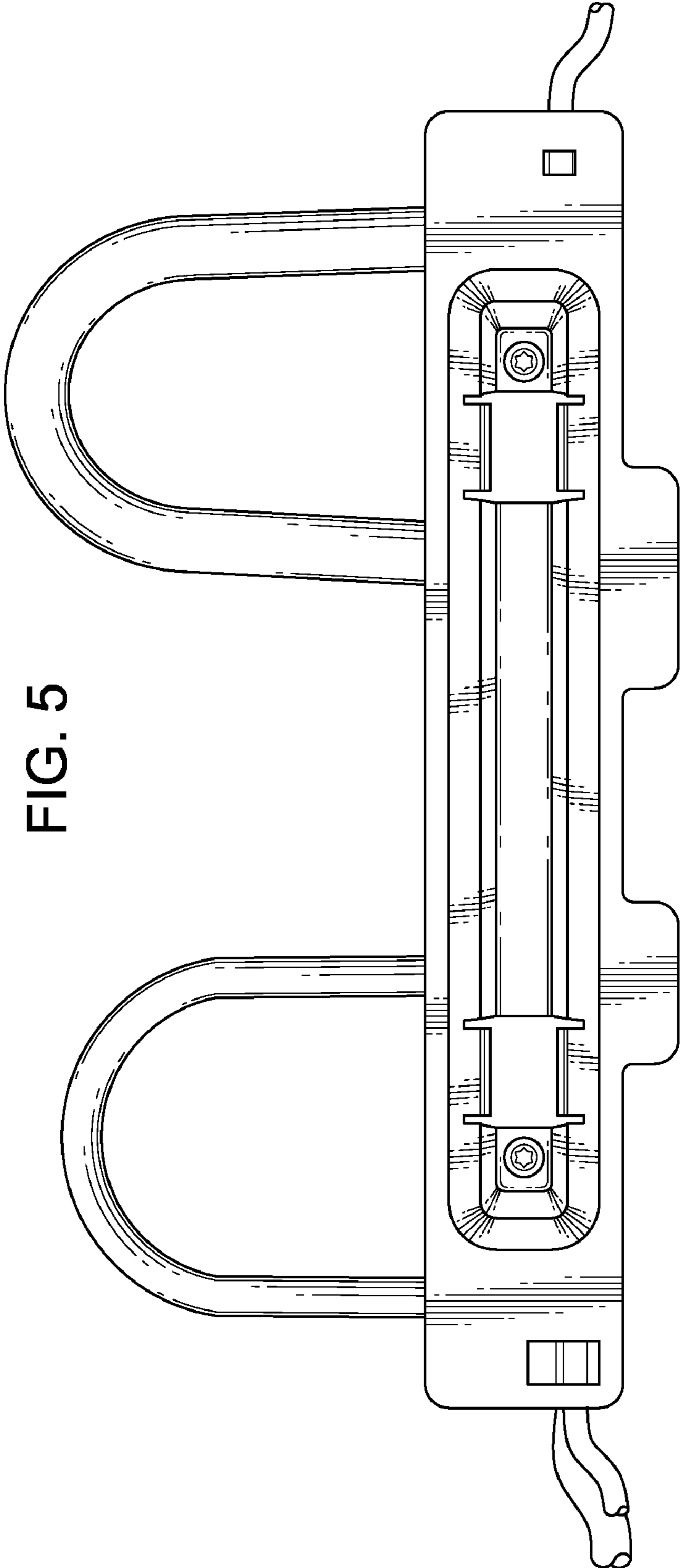


FIG. 5

FIG. 6

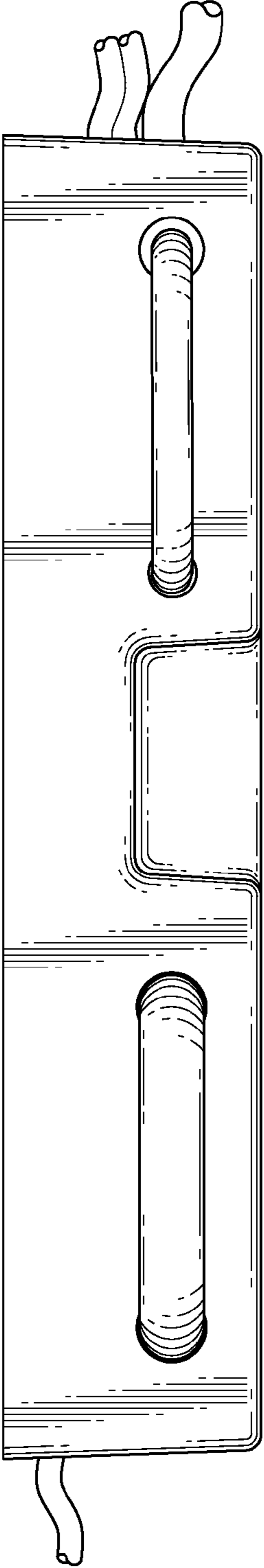


FIG. 7

