



US00D600791S

(12) **United States Design Patent**
Wyman

(10) **Patent No.:** **US D600,791 S**
(45) **Date of Patent:** **** Sep. 22, 2009**

(54) **SOFFIT VENT**
(75) Inventor: **Joseph H. Wyman**, Picayune, MS (US)
(73) Assignee: **Graceland Properties, LLC**, Bardwell, KY (US)
(**) Term: **14 Years**
(21) Appl. No.: **29/330,700**
(22) Filed: **Jan. 13, 2009**

(51) **LOC (9) Cl.** **23-04**
(52) **U.S. Cl.** **D23/393**
(58) **Field of Classification Search** D23/373,
D23/393, 370, 371, 387, 391; 454/136, 141,
454/146, 143, 153, 162, 364-368, 250-253,
454/78, 260; 52/198, 199, 302.1, 57, 94,
52/95; D25/119, 164, 55, 141
See application file for complete search history.

(56) **References Cited**

U.S. PATENT DOCUMENTS

4,280,399 A * 7/1981 Cuning 454/365
D271,713 S * 12/1983 Hicks D23/393
D459,007 S * 6/2002 Campacci D25/119
D471,991 S * 3/2003 Maylon et al. D25/119
D502,991 S * 3/2005 Rodolfo et al. D23/393
D502,992 S * 3/2005 Rodolfo et al. D23/393
D503,225 S * 3/2005 Rodolfo et al. D23/393
D503,227 S * 3/2005 Rodolfo et al. D23/393
D503,469 S * 3/2005 Rodolfo et al. D23/393

D503,470 S * 3/2005 Rodolfo et al. D23/393
6,941,707 B2 * 9/2005 Sigmund 52/95
D511,848 S * 11/2005 Ciepliski D25/141
D515,708 S * 2/2006 Sigmund D25/55

* cited by examiner

Primary Examiner—T. Chase Nelson
Assistant Examiner—David G Muller
(74) *Attorney, Agent, or Firm*—Bruce E. Weir

(57) **CLAIM**

The ornamental design for a soffit vent, as shown and described.

DESCRIPTION

FIG. 1 is a front elevational view of a soffit vent showing my new design;
FIG. 2 is a rear elevational view thereof;
FIG. 3 is a greatly enlarged side elevational view thereof;
FIG. 4 is a greatly enlarged side elevational view thereof;
FIG. 5 is a top plan view thereof;
FIG. 6 is a bottom plan view thereof;
FIG. 7 is a top, front, and side perspective view thereof, and,
FIG. 8 is an enlarged bottom perspective view showing an end portion thereof.

The broken lines showing part of a building are illustrative of environmental structure only and form no part of the claimed design.

1 Claim, 5 Drawing Sheets

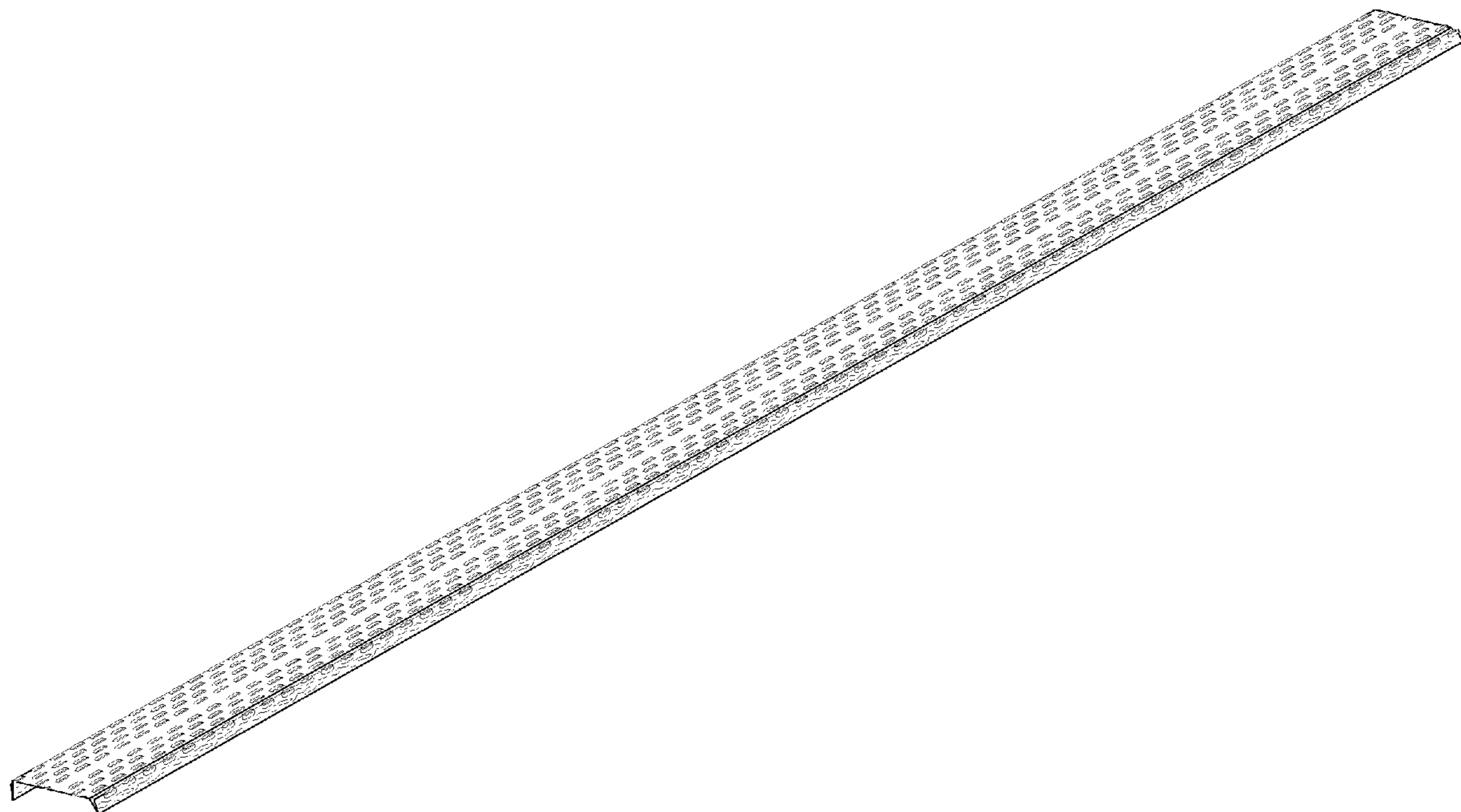


FIG. 1

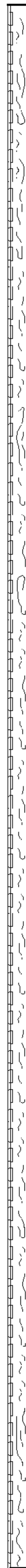


FIG. 2



FIG. 3

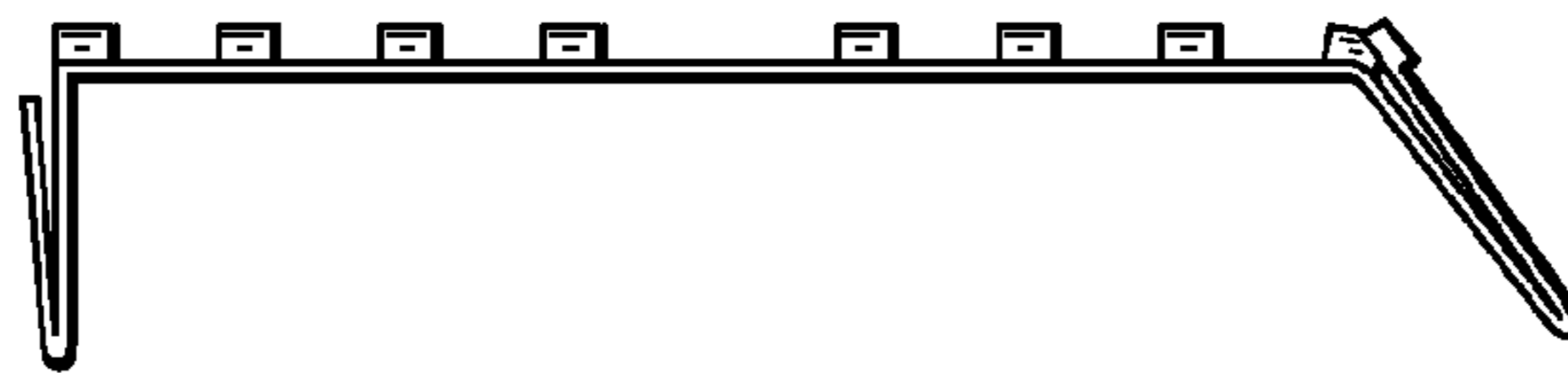


FIG. 4

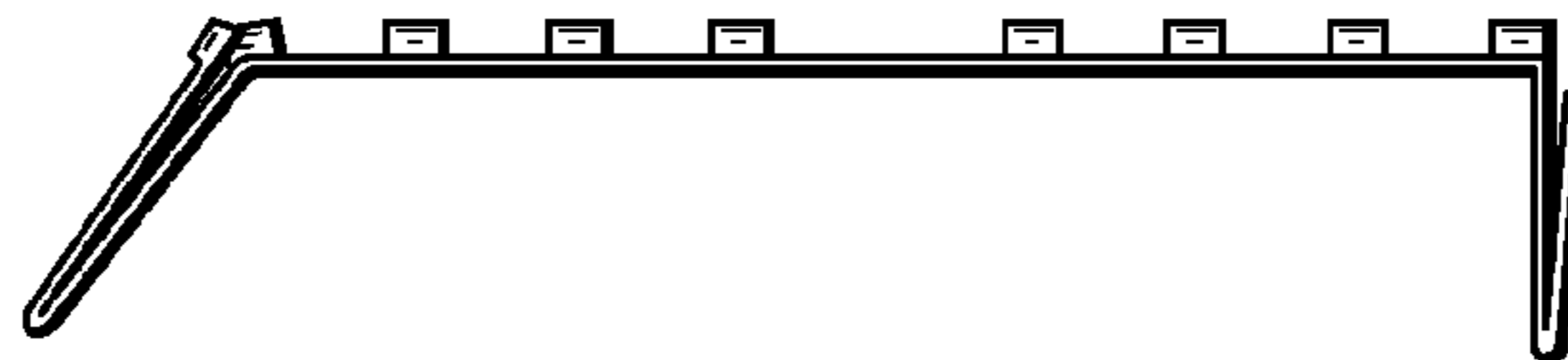


FIG. 5

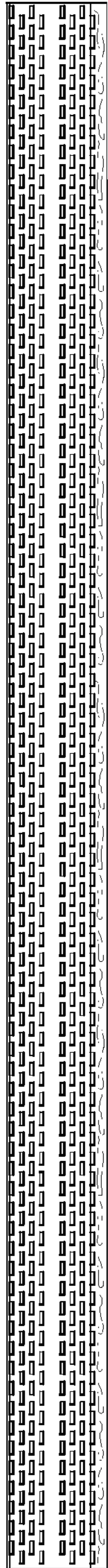
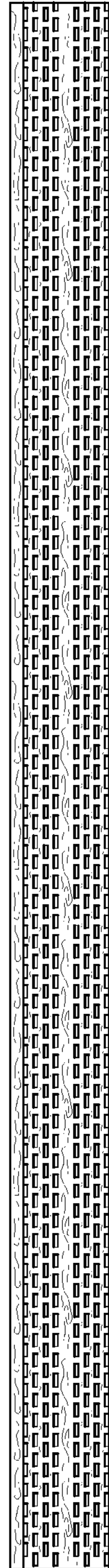


FIG. 6



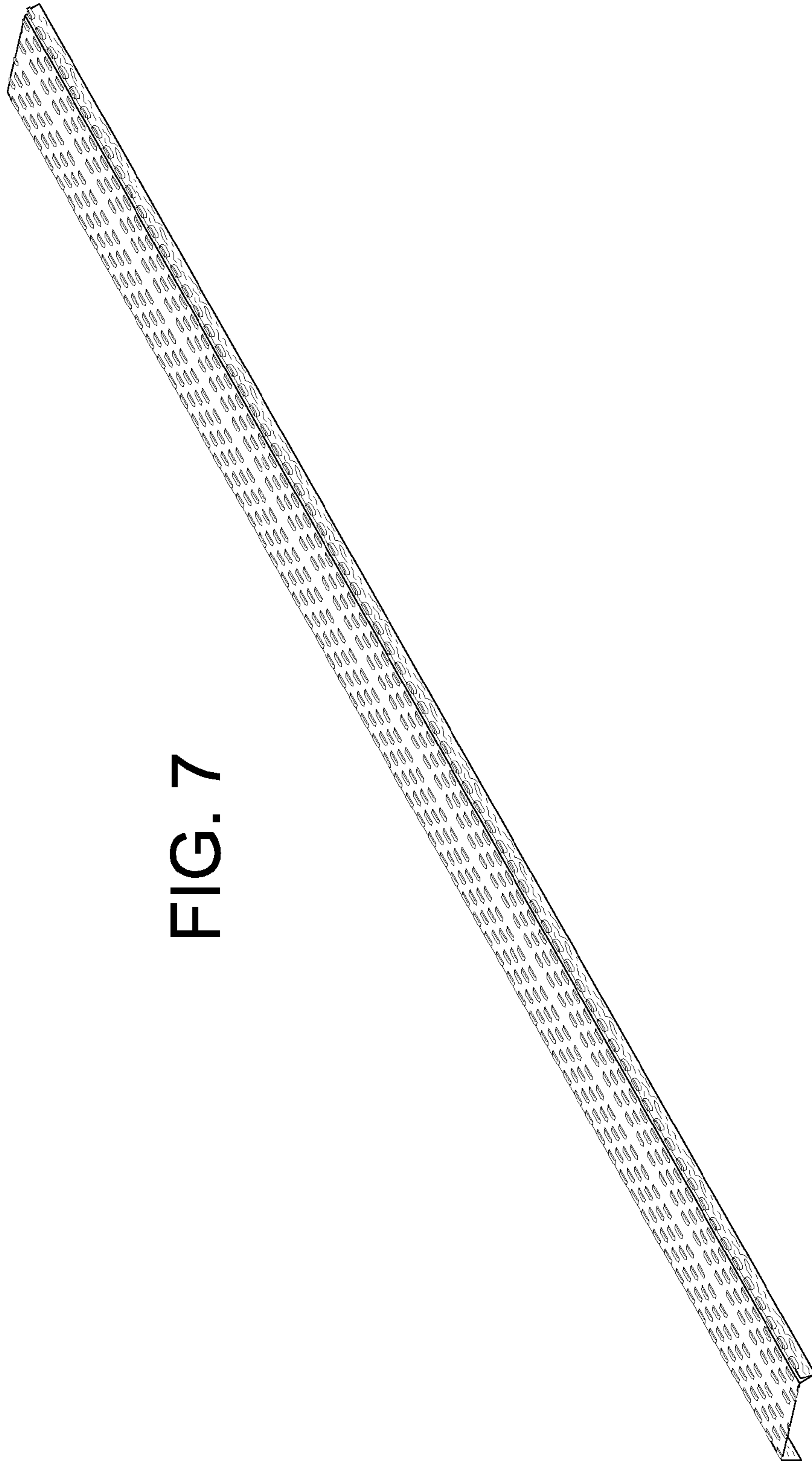


FIG. 7

FIG. 8

