



US00D600790S

(12) **United States Design Patent**
Nelson et al.

(10) **Patent No.:** **US D600,790 S**
(45) **Date of Patent:** **** Sep. 22, 2009**

(54) **FILTER CARTRIDGE**

(75) Inventors: **Benny Kevin Nelson**, Bloomington, MN (US); **Gregory L. Reichter**, Bloomington, MN (US); **Bruce Allen Boehrs**, Blaine, MN (US); **Paul Anthony Wendt**, Bloomington, MN (US)

(73) Assignee: **Donaldson Company, Inc.**, Minneapolis, MN (US)

(**) Term: **14 Years**

(21) Appl. No.: **29/259,594**

(22) Filed: **May 10, 2006**

(51) **LOC (9) Cl.** **23-04**

(52) **U.S. Cl.** **D23/365**

(58) **Field of Classification Search** D23/365,
D23/363, 358, 386, 354, 341, 364, 209; 55/385.3,
55/502, 497, 498, 506, 505, 521, 495, 422,
55/493, 415, DIG. 30; 138/39

See application file for complete search history.

(56) **References Cited**

U.S. PATENT DOCUMENTS

4,080,185 A 3/1978 Richter et al.

(Continued)

FOREIGN PATENT DOCUMENTS

JP 60-112320 7/1985

(Continued)

OTHER PUBLICATIONS

U.S. App. No. 11/659,067, filed Jan. 30, 2007, Reichter et al.

(Continued)

Primary Examiner—T. Chase Nelson

Assistant Examiner—David G Muller

(74) *Attorney, Agent, or Firm*—Merchant & Gould, P.C.

(57) **CLAIM**

The ornamental design for filter cartridge, as shown and described.

DESCRIPTION

FIG. 1 is a perspective view of a first embodiment of the filter cartridge embodying our new design, break lines being used to indicate variability in proportion; and media end face stippling being used without reference to media detail which forms no part of the design sought to be patented, the portions shown in broken lines forming no part of the design sought to be patented;

FIG. 2 is a front elevational view thereof, stippling showing an end face of media without reference to media detail which forms no part of the design sought to be patented;

FIG. 3 is a rear elevational view thereof, stippling showing an end face of media without reference to media detail which forms no part of the design sought to be patented;

FIG. 4 is a top plan view thereof, a bottom plan view having the same appearance; and,

FIG. 5 is a side elevational view thereof, an opposite side elevational view having the same appearance;

FIG. 6 is a perspective view of a second embodiment of a filter element embodying our new design, break lines being used to indicate variability in perimeter proportion; and media end face stippling being used without a reference to media detail, which forms no part of the design sought to be patented;

FIG. 7 is a front elevational view thereof, stippling showing an end face of media without reference to media detail which forms no part of the design sought to be patented;

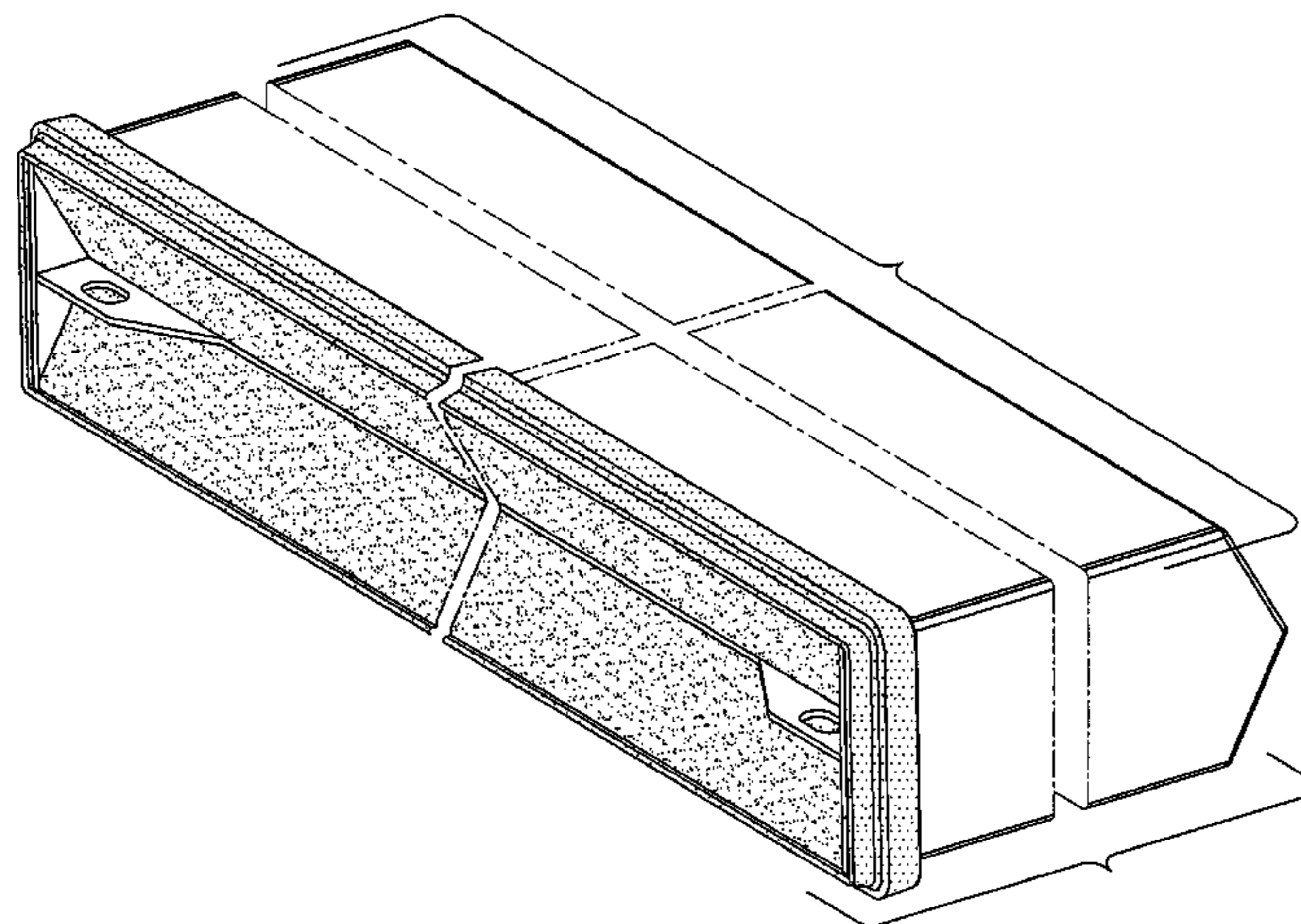
FIG. 8 is a rear elevational view thereof;

FIG. 9 is a top plan view thereof, bottom plan view having the same appearance; and,

FIG. 10 is a side elevational view thereof, an opposite side having an analogous view.

In the drawings, the stippling showing contrast in materials is included for the purpose of illustrating use and environment and forms no part of the claimed design.

1 Claim, 8 Drawing Sheets



US D600,790 S

Page 2

U.S. PATENT DOCUMENTS

4,364,751 A 12/1982 Copley
 4,410,427 A 10/1983 Wydeven
 4,589,983 A 5/1986 Wydevan
 4,600,420 A 7/1986 Wydeven et al.
 5,147,430 A * 9/1992 Kidd 55/385.3
 5,223,011 A 6/1993 Hanni
 D358,637 S * 5/1995 Boehme D23/364
 5,512,074 A 4/1996 Hanni et al.
 5,517,598 A 5/1996 Sirat et al.
 5,660,605 A * 8/1997 Chan et al. 55/415
 D394,901 S * 6/1998 Governale et al. D23/354
 5,772,883 A 6/1998 Rothman et al.
 5,820,646 A 10/1998 Gillingham et al.
 D402,020 S * 12/1998 Aihara et al. D23/354
 D402,359 S * 12/1998 Wang et al. D23/364
 D402,361 S * 12/1998 Nepsund et al. D23/365
 5,902,364 A 5/1999 Tokar et al.
 6,149,700 A 11/2000 Morgan et al.
 D437,402 S 2/2001 Gieseke et al.
 6,190,432 B1 2/2001 Gieseke et al.
 6,235,195 B1 5/2001 Tokar et al.
 6,238,561 B1 5/2001 Liu et al.
 D444,219 S 6/2001 Gieseke et al.
 6,261,334 B1 7/2001 Morgan et al.
 6,306,193 B1 10/2001 Morgan et al.
 D450,828 S 11/2001 Tokar
 6,348,084 B1 2/2002 Gieseke et al.
 6,350,291 B1 2/2002 Gieseke et al.
 6,355,095 B1 * 3/2002 Kuo-Long 55/385.3
 D455,826 S 4/2002 Gillingham et al.
 6,375,700 B1 4/2002 Jaroszczyk et al.
 D456,877 S * 5/2002 Wilder et al. D23/209
 6,391,076 B1 5/2002 Jaroszczyk et al.
 6,398,832 B2 6/2002 Morgan et al.
 6,416,561 B1 7/2002 Kallsen et al.
 6,482,247 B2 11/2002 Jaroszczyk et al.
 D468,798 S * 1/2003 Wilder et al. D23/209
 6,511,599 B2 1/2003 Jaroszczyk et al.
 D473,637 S 4/2003 Golden
 6,547,857 B2 4/2003 Gieseke et al.
 6,585,792 B2 * 7/2003 Schneider et al. 55/385.3
 6,641,637 B2 11/2003 Kallsen et al.
 6,673,136 B2 1/2004 Gillingham et al.

6,676,721 B1 1/2004 Gillingham et al.
 6,743,317 B2 6/2004 Wydeven
 6,746,518 B2 6/2004 Gieseke et al.
 6,902,598 B2 6/2005 Gunderson et al.
 7,001,450 B2 2/2006 Gieseke et al.
 7,090,711 B2 8/2006 Gillingham et al.
 7,128,643 B2 * 10/2006 Beliveau et al. 55/506
 7,211,124 B2 5/2007 Gieseke et al.
 7,282,075 B2 10/2007 Sporre et al.
 7,350,370 B2 * 4/2008 Park et al. 55/495
 2003/0121845 A1 7/2003 Wagner et al.
 2004/0187689 A1 9/2004 Sporre et al.
 2004/0226443 A1 11/2004 Gillingham et al.

FOREIGN PATENT DOCUMENTS

WO WO 97/40908 11/1997
 WO WO 01/97946 A1 12/2001
 WO WO 2005/123214 A1 12/2005
 WO WO 2005/123222 12/2005
 WO WO 2005123222 A1 12/2005
 WO WO 2006/017790 2/2006
 WO WO 2006012386 A2 2/2006
 WO WO 2006/076456 7/2006
 WO WO 20060076479 7/2006
 WO WO 2007/009039 A1 1/2007
 WO WO 2007/044677 4/2007

OTHER PUBLICATIONS

U.S. Appl. No. 60/599,686, filed Aug. 6, 2004, Reichter et al.
 U.S. Appl. No. 60/600,081, filed Aug. 9, 2004, Reichter et al.
 U.S. Appl. No. 60/602,721, filed Aug. 18, 2004, Reichter et al.
 U.S. Appl. No. 60/616,364, filed Oct. 5, 2004, Reichter et al.
 U.S. Appl. No. 11/629,429, filed Dec. 13, 2006, Boehrs et al.
 U.S. Appl. No. 60/579,754, filed Jun. 14, 2004, Boehrs et al.
 U.S. Appl. No. 11/795,176, filed Jul. 12, 2007, Reichter et al.
 U.S. Appl. No. 60/651,838, filed Feb. 8, 2005, Reichter et al.
 U.S. Appl. No. 11/795,178, filed Jul. 12, 2007, Reichter et al.
 U.S. Appl. No. 60/644,094, filed Jan. 13, 2005, Reichter et al.
 U.S. Appl. No. 12/083,364, filed Apr. 9, 2008, Boehrs et al.
 U.S. Appl. No. 60/725,453, filed Oct. 11, 2005, Boehrs et al.
 Exhibit A-Pending Claims corresponding to U.S. Appl. No. 11/651,751.

* cited by examiner

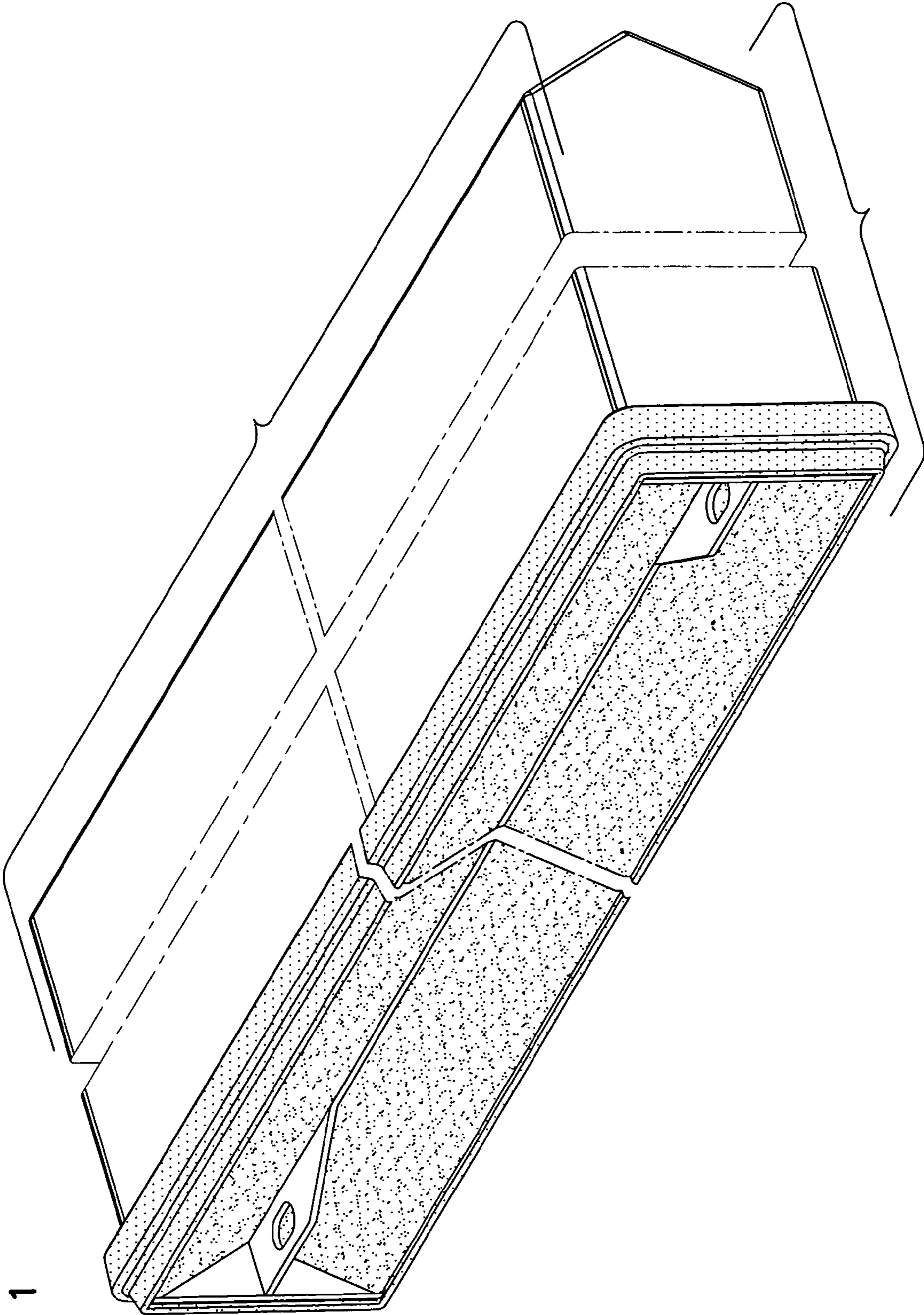


FIG. 1

FIG. 2

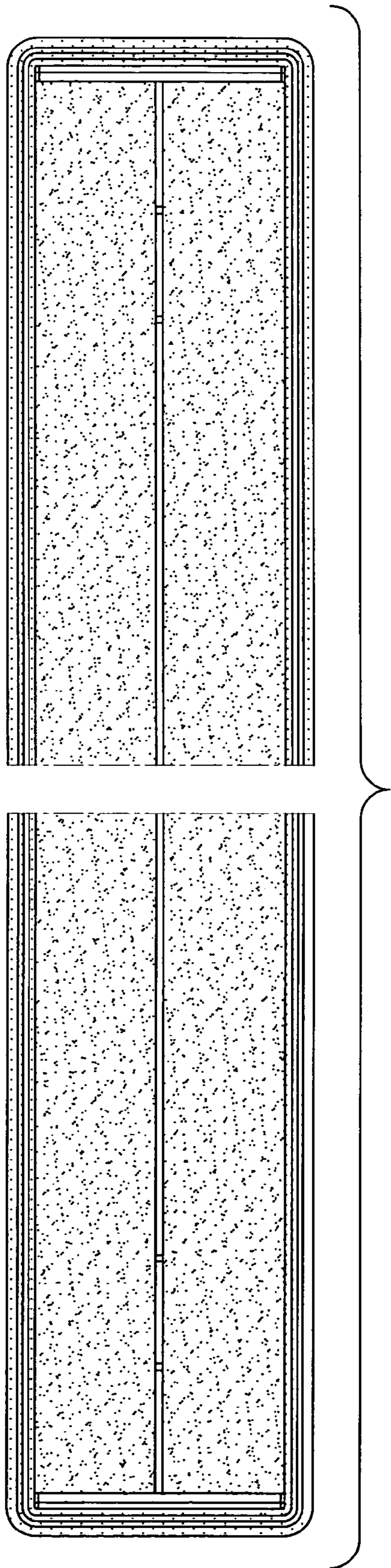


FIG. 3

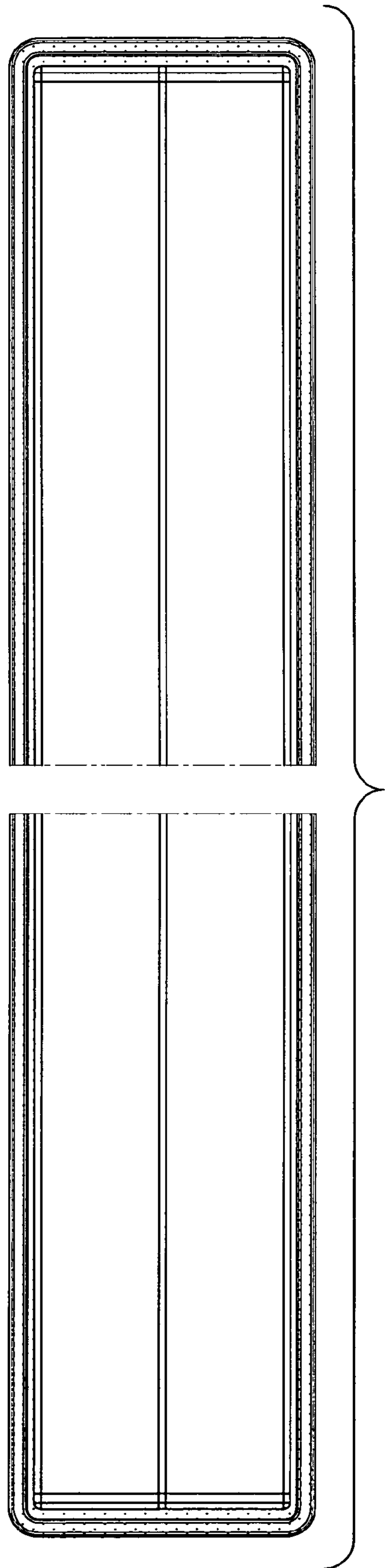
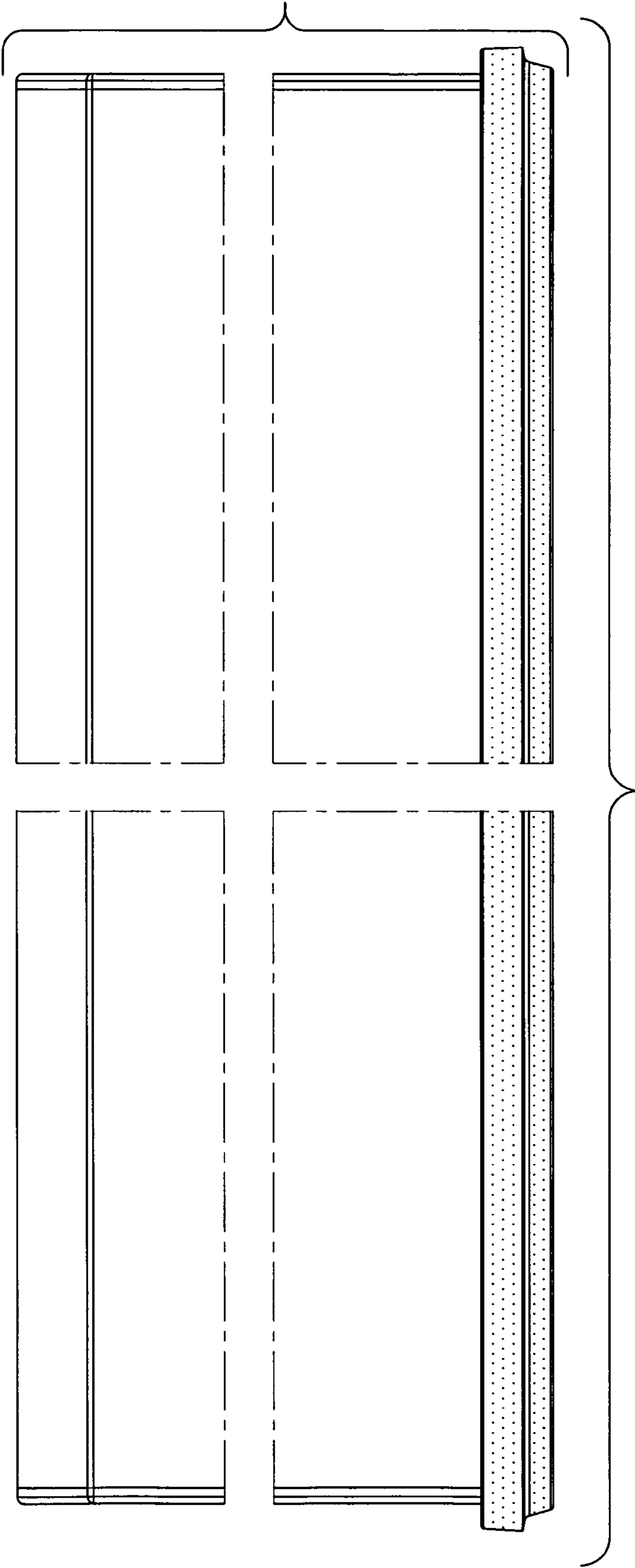


FIG. 4



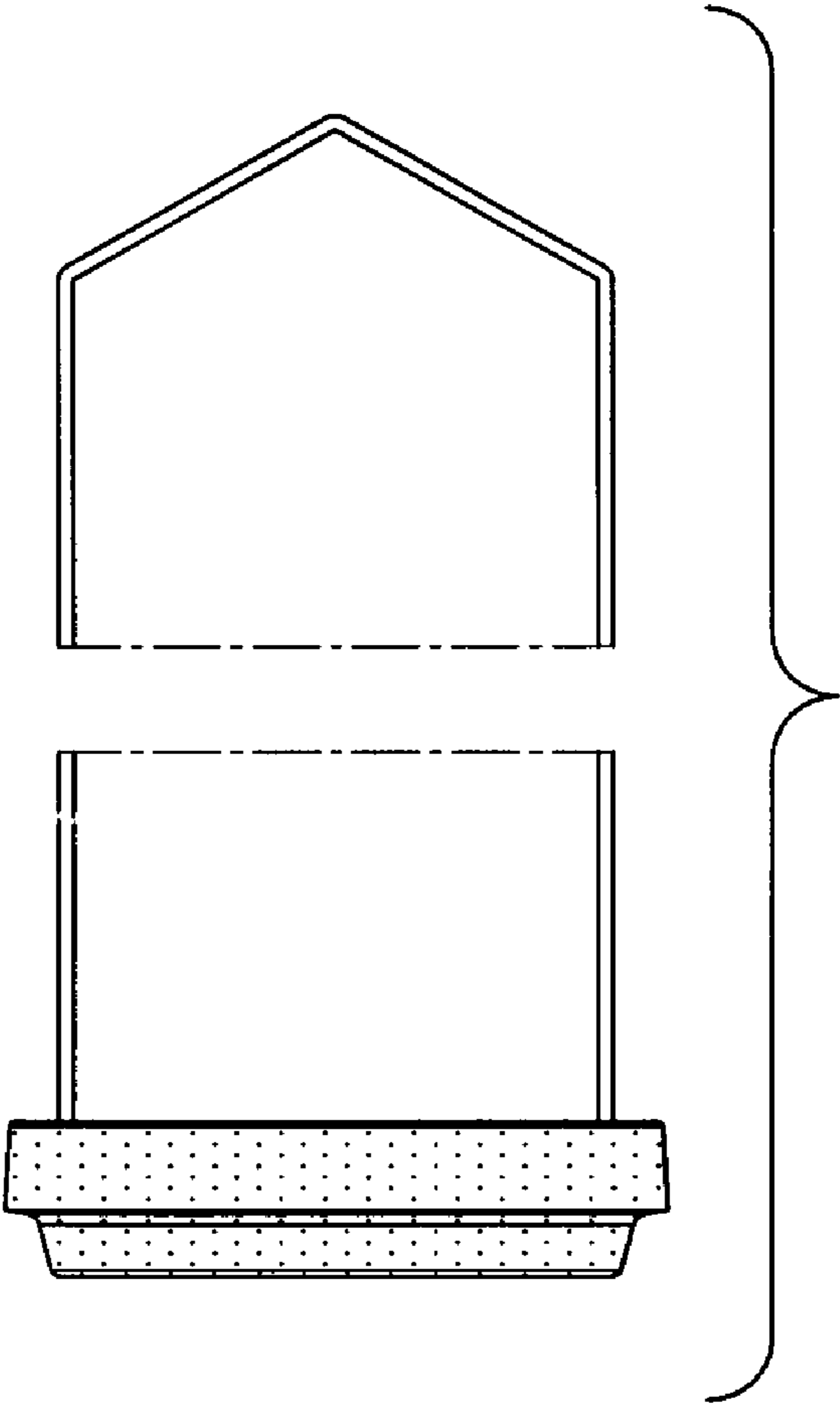
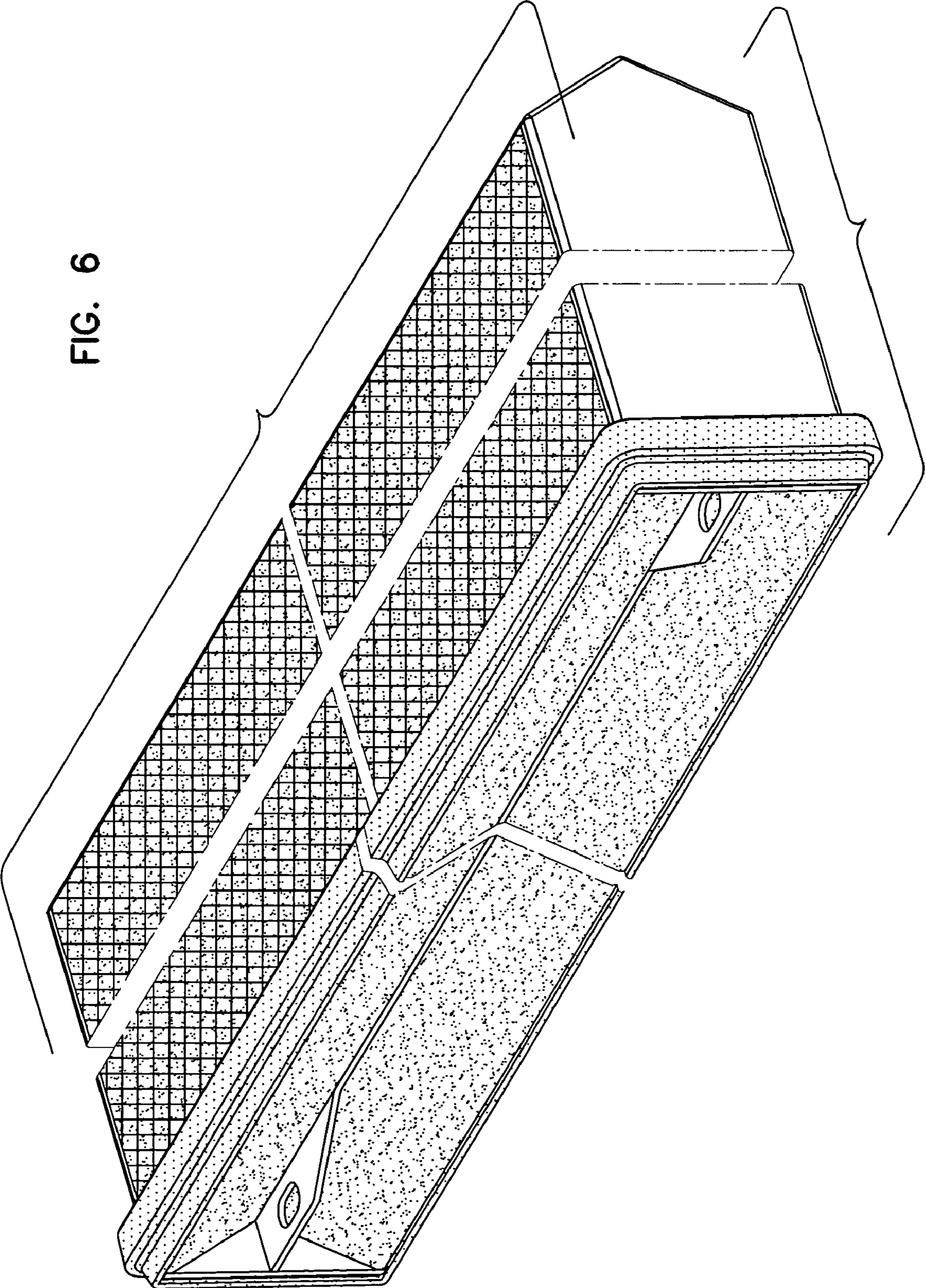


FIG. 5

FIG. 6



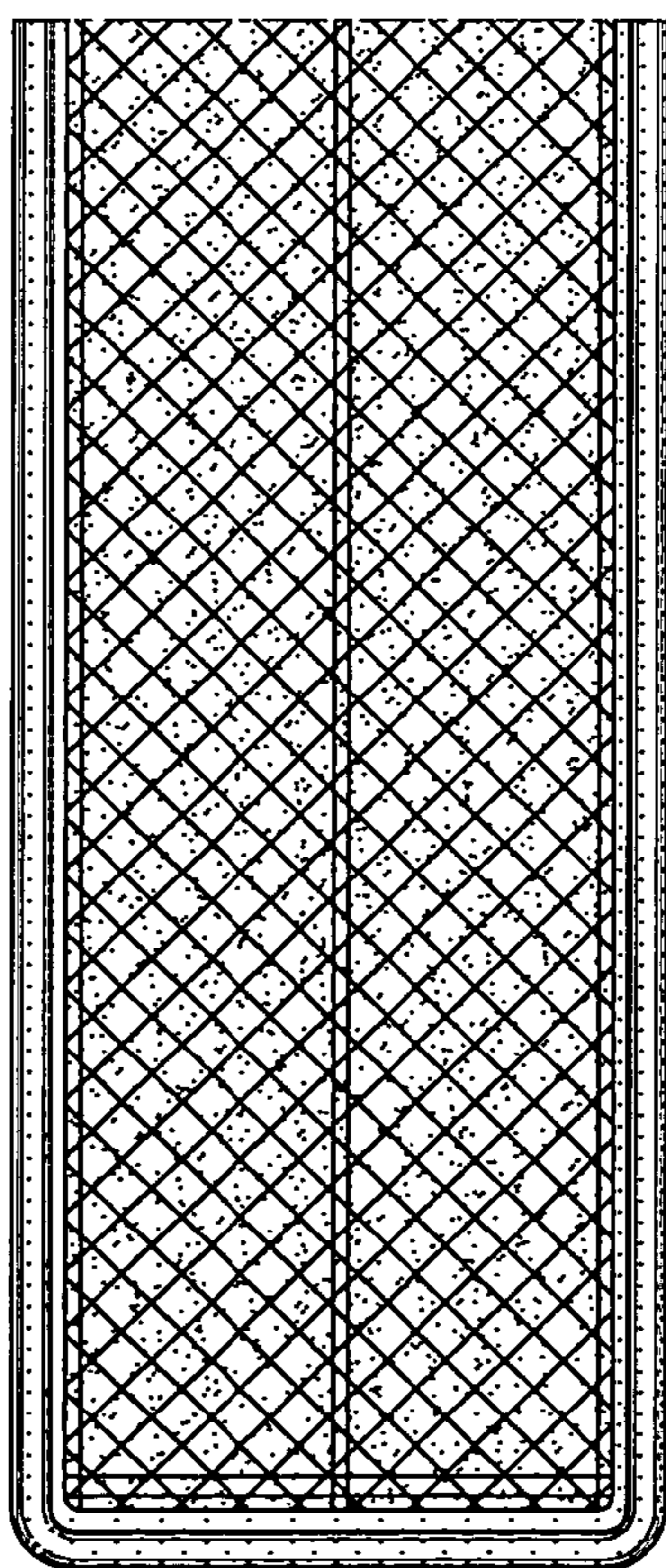
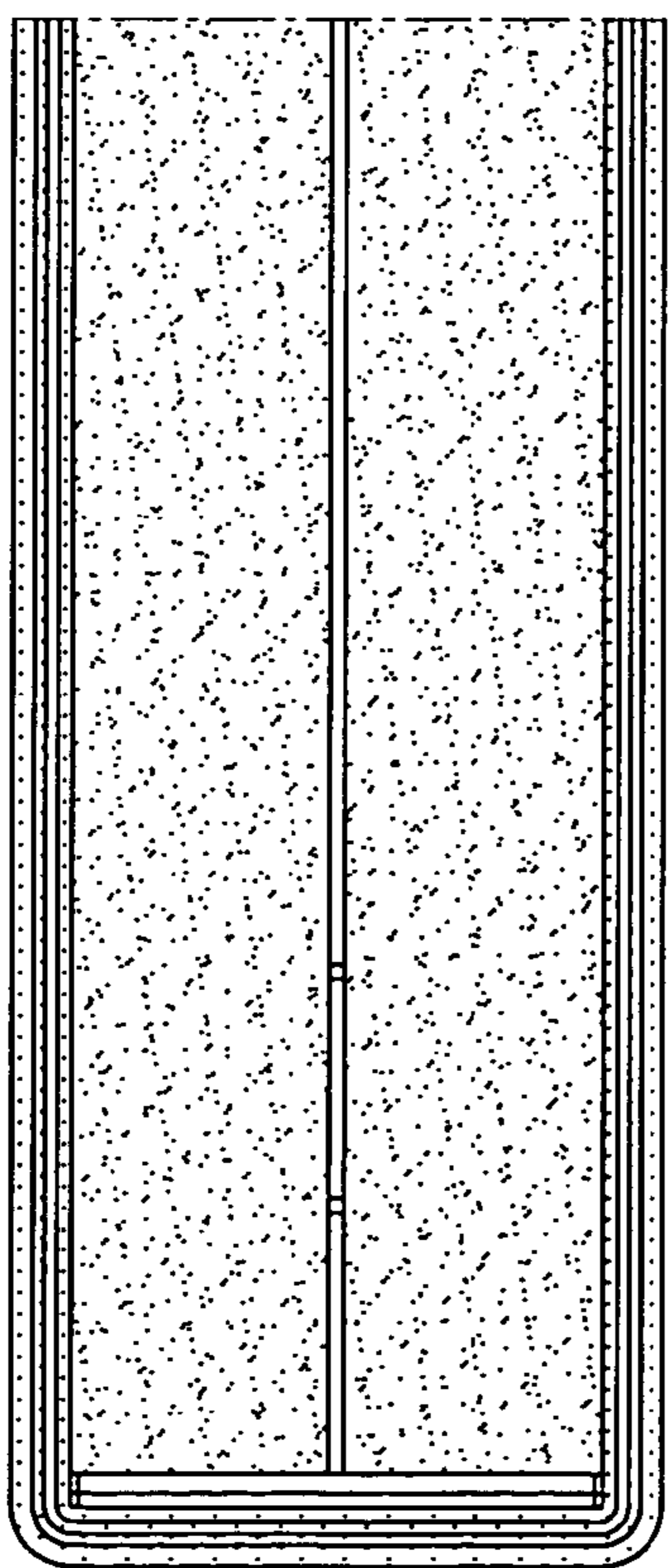
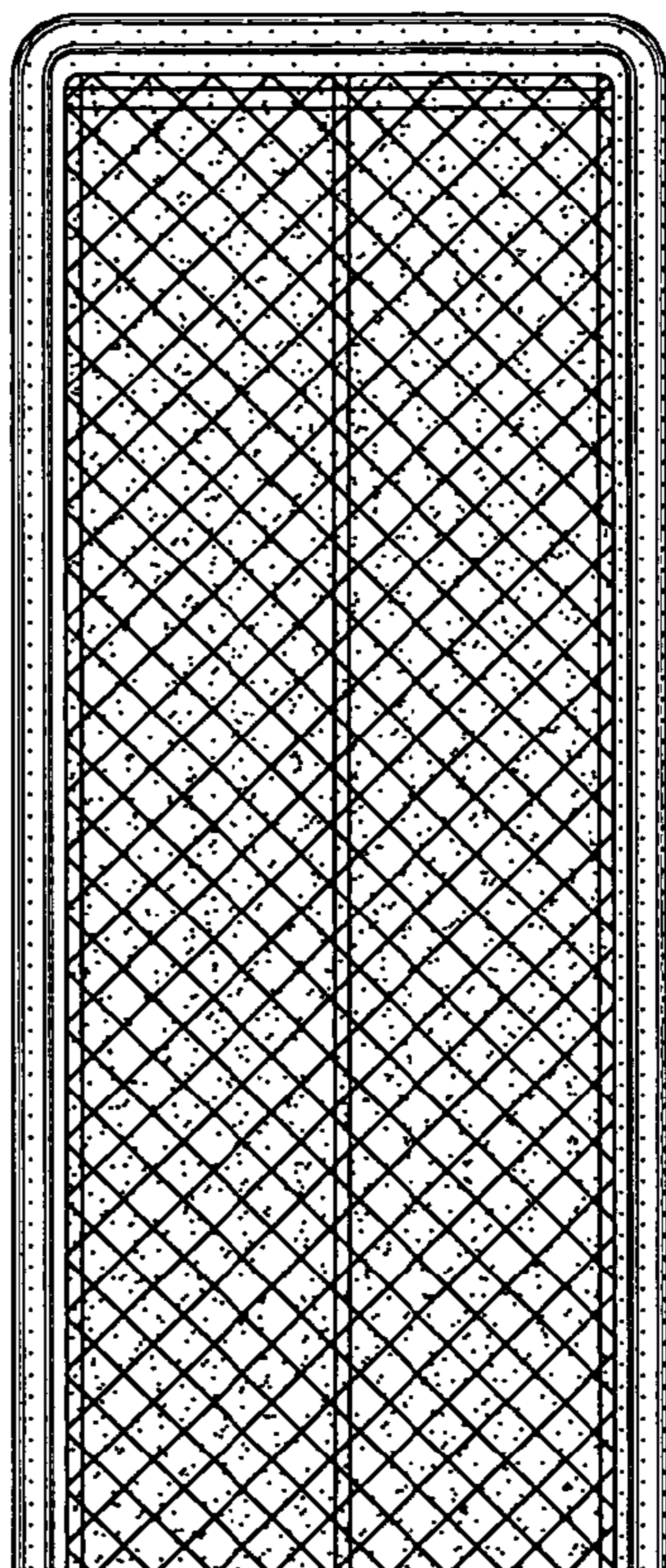
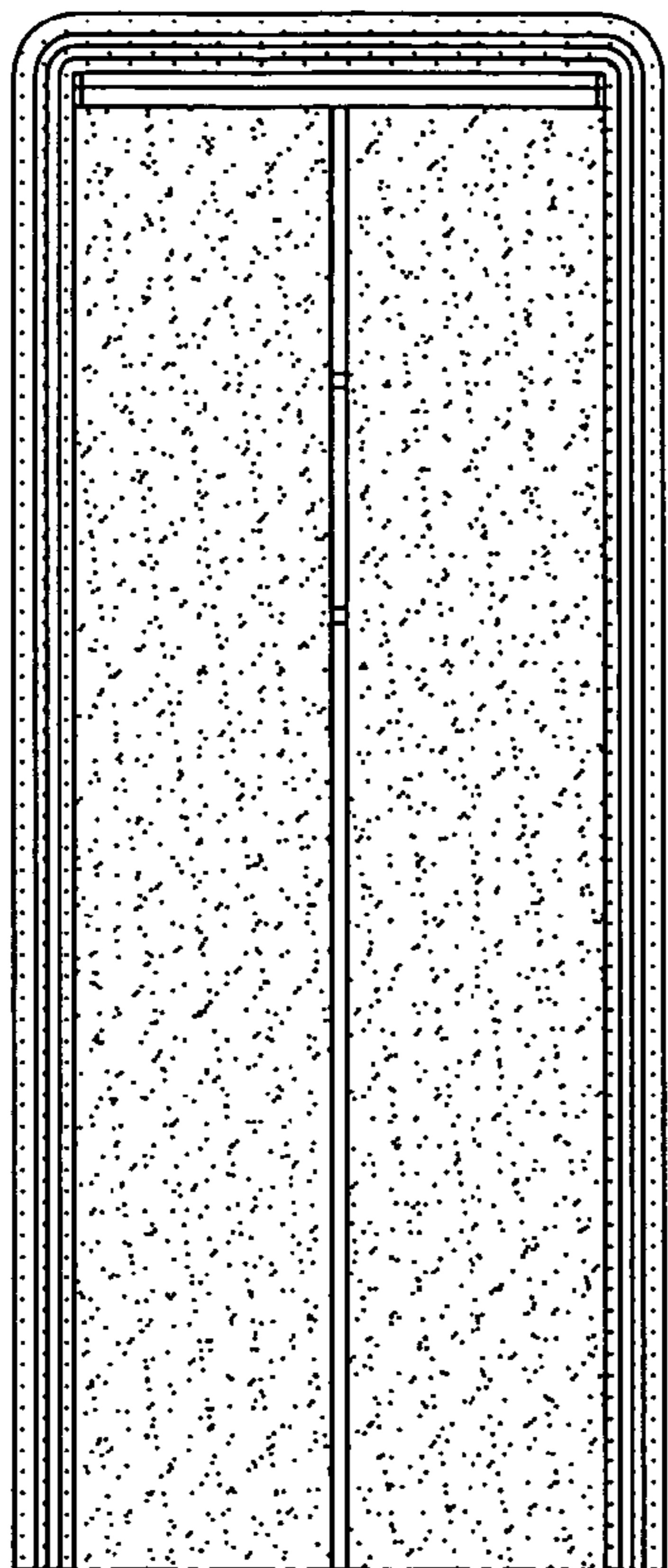
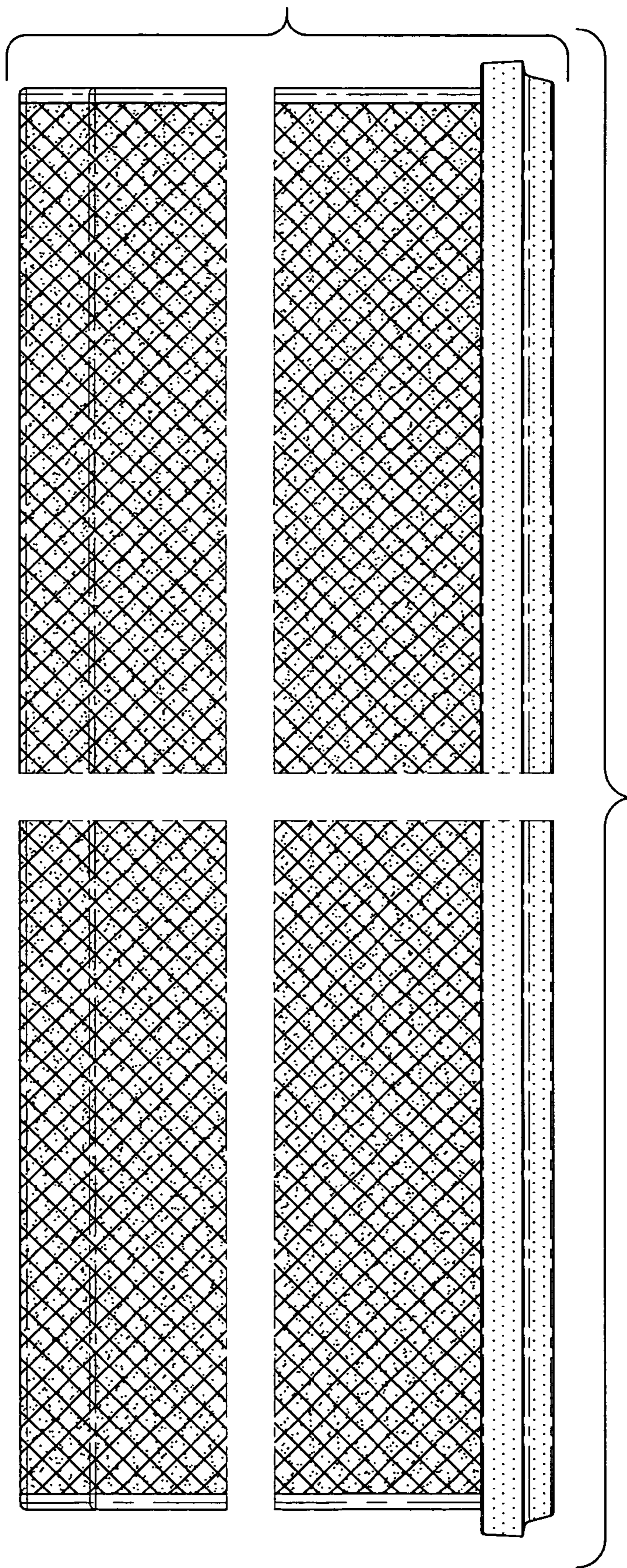


FIG. 7

FIG. 8

FIG. 9



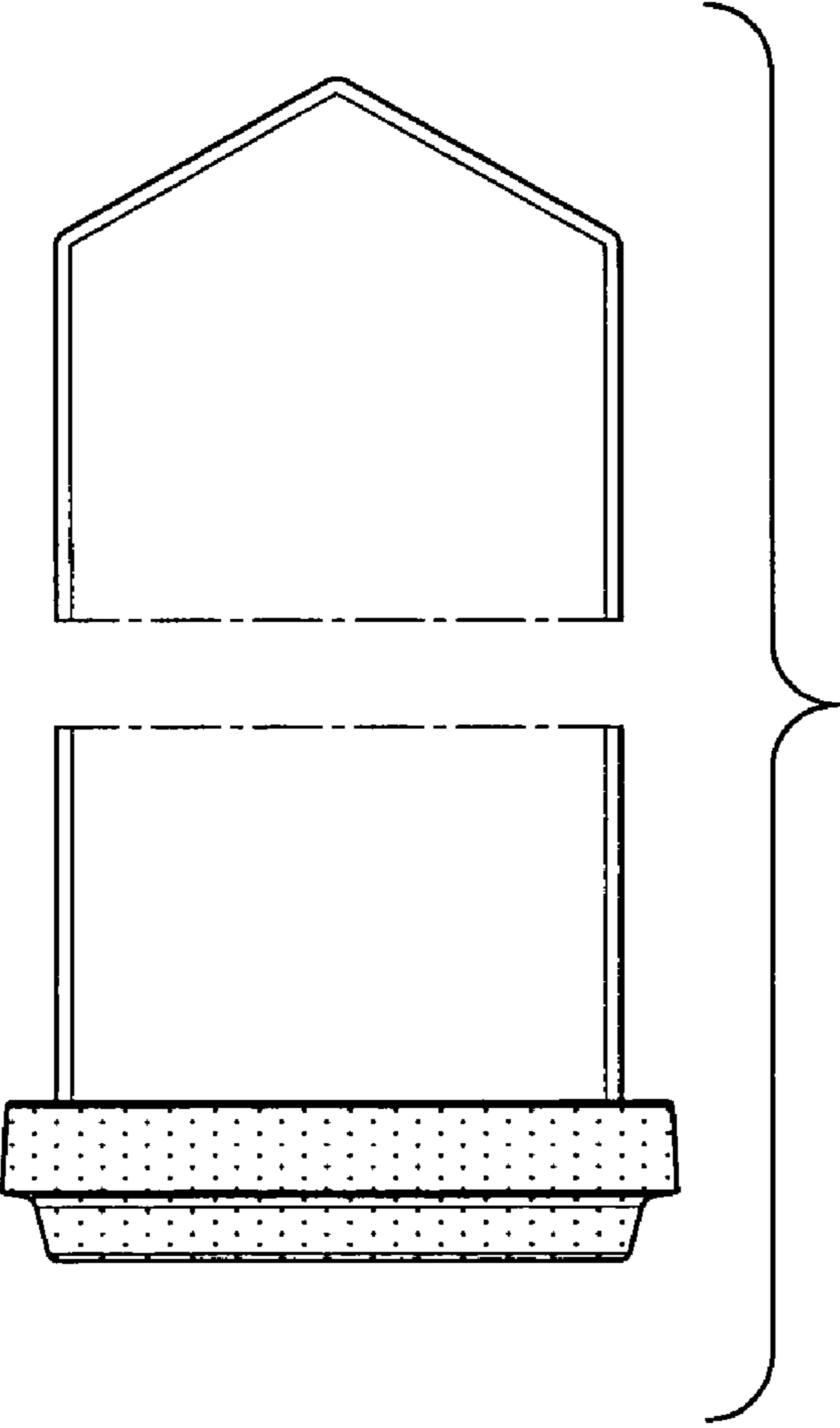


FIG. 10