



US00D600787S

(12) **United States Design Patent**  
**Smith et al.**

(10) **Patent No.:** **US D600,787 S**

(45) **Date of Patent:** **\*\* Sep. 22, 2009**

(54) **ADAPTOR SEAL**

(75) Inventors: **Ian Malcolm Smith**, Westleigh (AU);  
**Dan Kao**, Chatswood (AU); **Perry**  
**David Lithgow**, Glenwood (AU)

(73) Assignee: **ResMed Limited**, Bella Vista, New  
South Wales (AU)

(\*\*) Term: **14 Years**

(21) Appl. No.: **29/309,420**

(22) Filed: **Aug. 14, 2008**

**Related U.S. Application Data**

(63) Continuation of application No. 29/257,448, filed on  
Apr. 5, 2006, now Pat. No. Des. 577,109.

(51) **LOC (9) Cl.** ..... **23-04**

(52) **U.S. Cl.** ..... **D23/358**

(58) **Field of Classification Search** ..... D8/382;  
D23/358, 365; D24/110; 55/502; 128/207.14,  
128/206.24, 200.13

See application file for complete search history.

(56) **References Cited**

**U.S. PATENT DOCUMENTS**

2,999,562 A	9/1961	Lechtenberg	
D191,806 S	11/1961	Lechtenberg	
3,388,705 A	6/1968	Grosshandler	
3,796,027 A	3/1974	Gumtow	
3,959,891 A	6/1976	Burkall	
3,982,532 A	9/1976	Halldin et al.	
4,537,214 A	8/1985	Cowan	
4,552,574 A	11/1985	Hotta	
5,174,460 A *	12/1992	Minnette	..... 215/335
5,174,534 A	12/1992	Mitchell	
D345,010 S	3/1994	Aronsson et al.	
5,292,432 A	3/1994	Janiek et al.	
5,349,946 A	9/1994	McComb	
D356,863 S	3/1995	Skaarstad	
5,617,849 A	4/1997	Springett et al.	
5,640,937 A	6/1997	Slopsema	
5,649,986 A	7/1997	Mueller	

5,673,687 A	10/1997	Dobson et al.	
5,715,815 A *	2/1998	Lorenzen et al.	..... 128/207.14
5,766,451 A *	6/1998	Sparling	..... 210/136
D403,417 S	12/1998	Rakocy	
D416,319 S	11/1999	Rollins	
D421,298 S	2/2000	Kenyon	

(Continued)

**FOREIGN PATENT DOCUMENTS**

EP 0 39 234 A1 11/1989

(Continued)

**OTHER PUBLICATIONS**

Smith et al. U.S. Appl. No. 29/257,448, filed Apr. 5, 2006.

(Continued)

*Primary Examiner*—Holly H Baynham  
(74) *Attorney, Agent, or Firm*—Nixon & Vanderhye P.C.

(57) **CLAIM**

The ornamental design for an adaptor seal, as shown and described.

**DESCRIPTION**

FIG. 1 is a front perspective view of an adaptor seal according to our design;

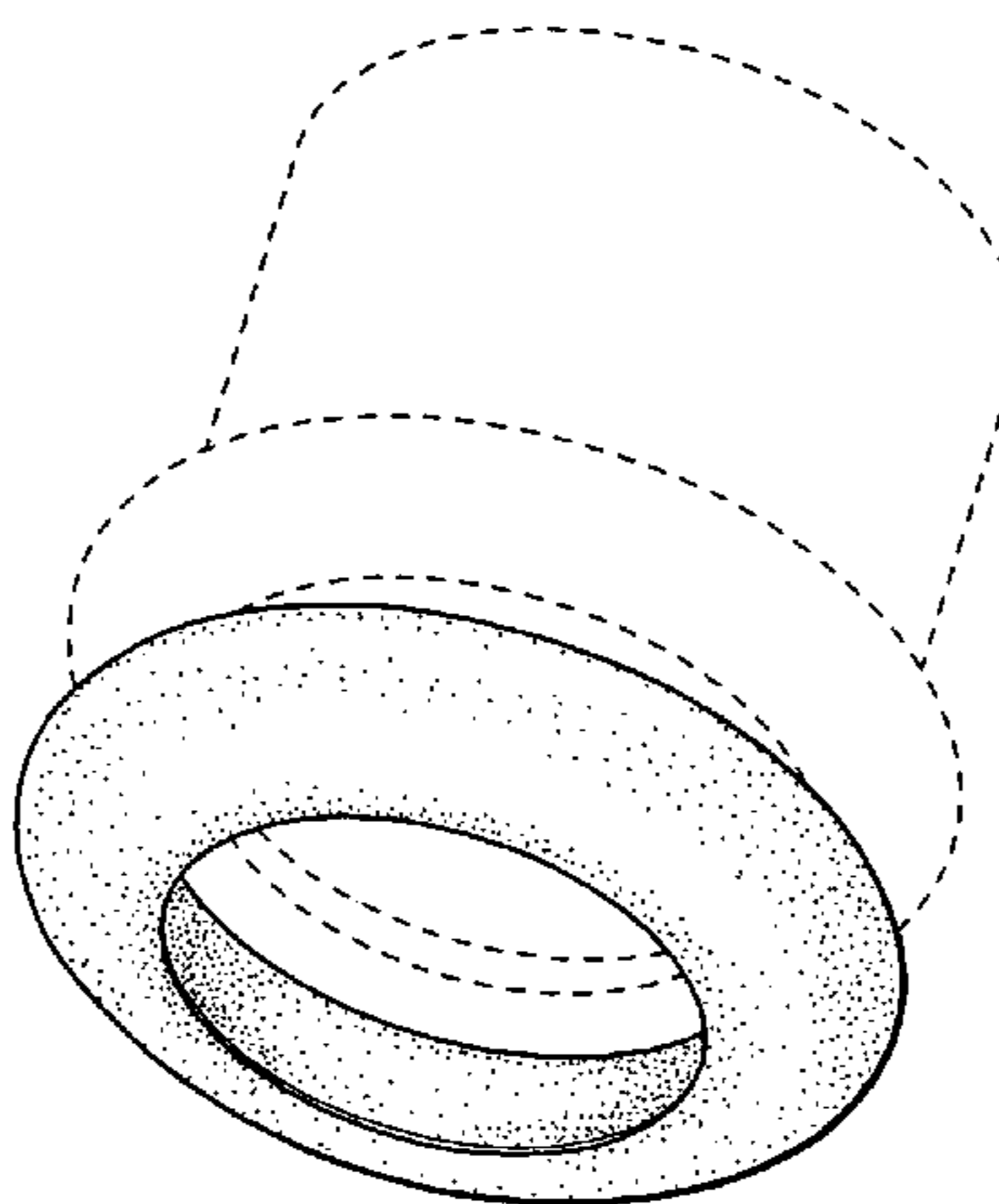
FIG. 2 is a front view thereof; and,

FIG. 3 is a left side view thereof, with the right side view thereof being a mirror image thereof.

The top and bottom views are not shown because they are similar to FIG. 3, the only difference is that the top and bottom views would be rotated 90° clockwise and 90° counterclockwise, respectively, compared to FIG. 3.

Where included, broken lines showing environment or structure are for illustrative purposes only and form no part of the claimed design.

**1 Claim, 1 Drawing Sheet**



# US D600,787 S

Page 2

---

## U.S. PATENT DOCUMENTS

D427,675 S 7/2000 Hansel  
D467,335 S 12/2002 Lithgow  
D468,011 S 12/2002 Lithgow et al.  
D474,266 S 5/2003 Rotter et al.  
D476,077 S 6/2003 Lithgow  
D487,311 S 3/2004 Lithgow et al.  
6,752,846 B2 6/2004 Rotter et al.  
D493,520 S 7/2004 Bertinetti et al.  
D493,884 S 8/2004 Virr et al.  
6,811,546 B1 11/2004 Callas et al.  
D503,796 S 4/2005 Lithgow et al.  
7,025,799 B2 4/2006 Peterson  
7,036,509 B2 5/2006 Rapacki et al.  
D550,349 S 9/2007 Lithgow et al.  
D553,228 S 10/2007 Virr et al.  
2004/0065335 A1 4/2004 Huber et al.

2005/0183406 A1 8/2005 Coburn

## FOREIGN PATENT DOCUMENTS

GB 2 116 434 9/1983  
WO WO 2004/112873 A1 12/2004  
WO WO 2007/019627 2/2007

## OTHER PUBLICATIONS

Lithgow et al., U.S. Appl. No. 29/290,517, filed Dec. 12, 2007.  
Jeha et al., U.S. Appl. No. 10/533,940, filed May 2005.  
Lithgow et al., U.S. Appl. No. 29/274,233, filed Apr. 6, 2007.  
Virr et al., U.S. Appl. No. 29/287,119, filed Jun. 29, 2007.  
Fisher & Paykel Healthcare, "SleepStyle™ 2000 CPAP Series"  
Specification Sheets, 4 pages, Published Prior to Jun. 2005.  
Smith et al., U.S. Appl. No. 11/988,720, filed Jan. 14, 2008.

\* cited by examiner

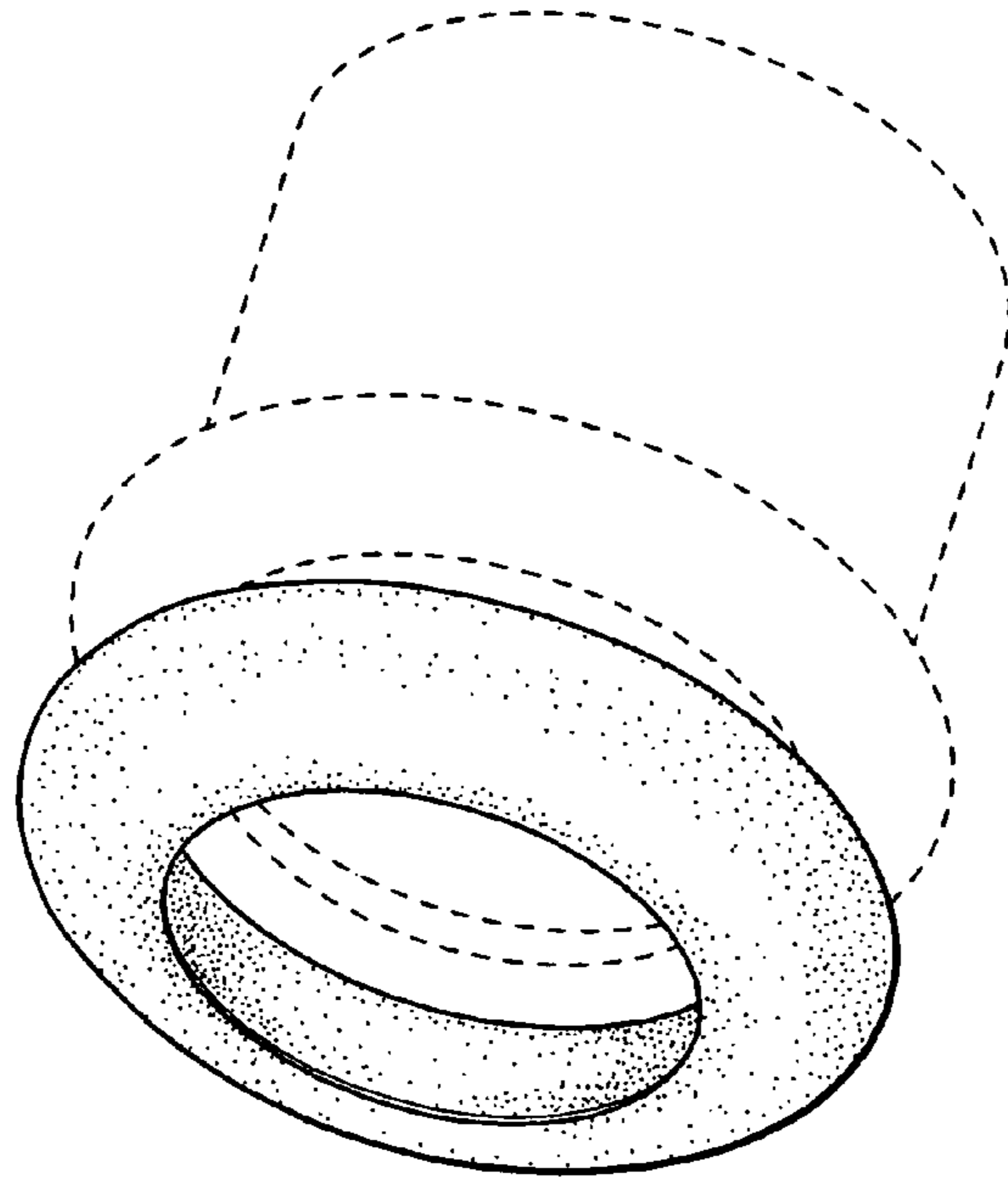


Fig. 1

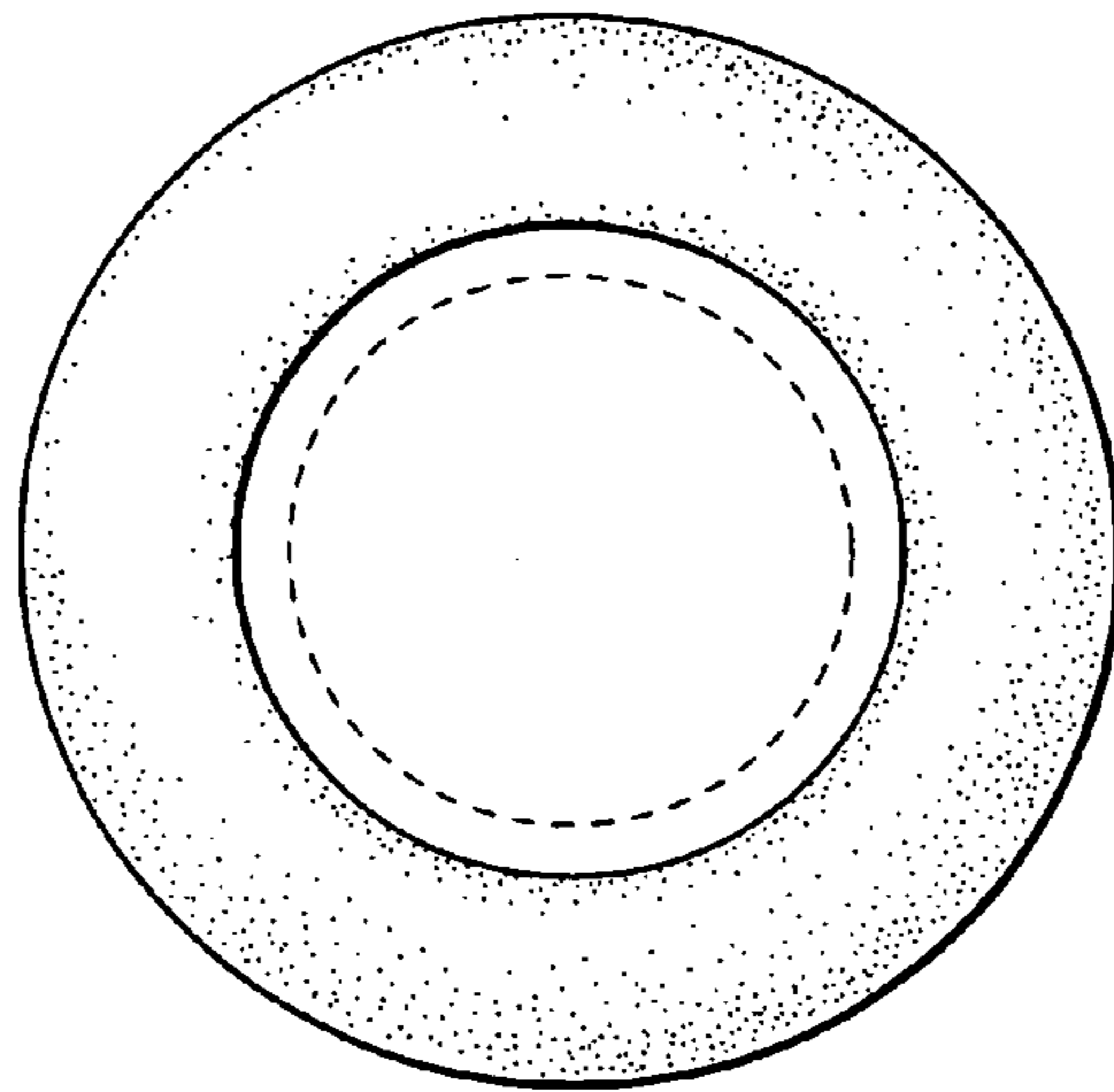


Fig. 2

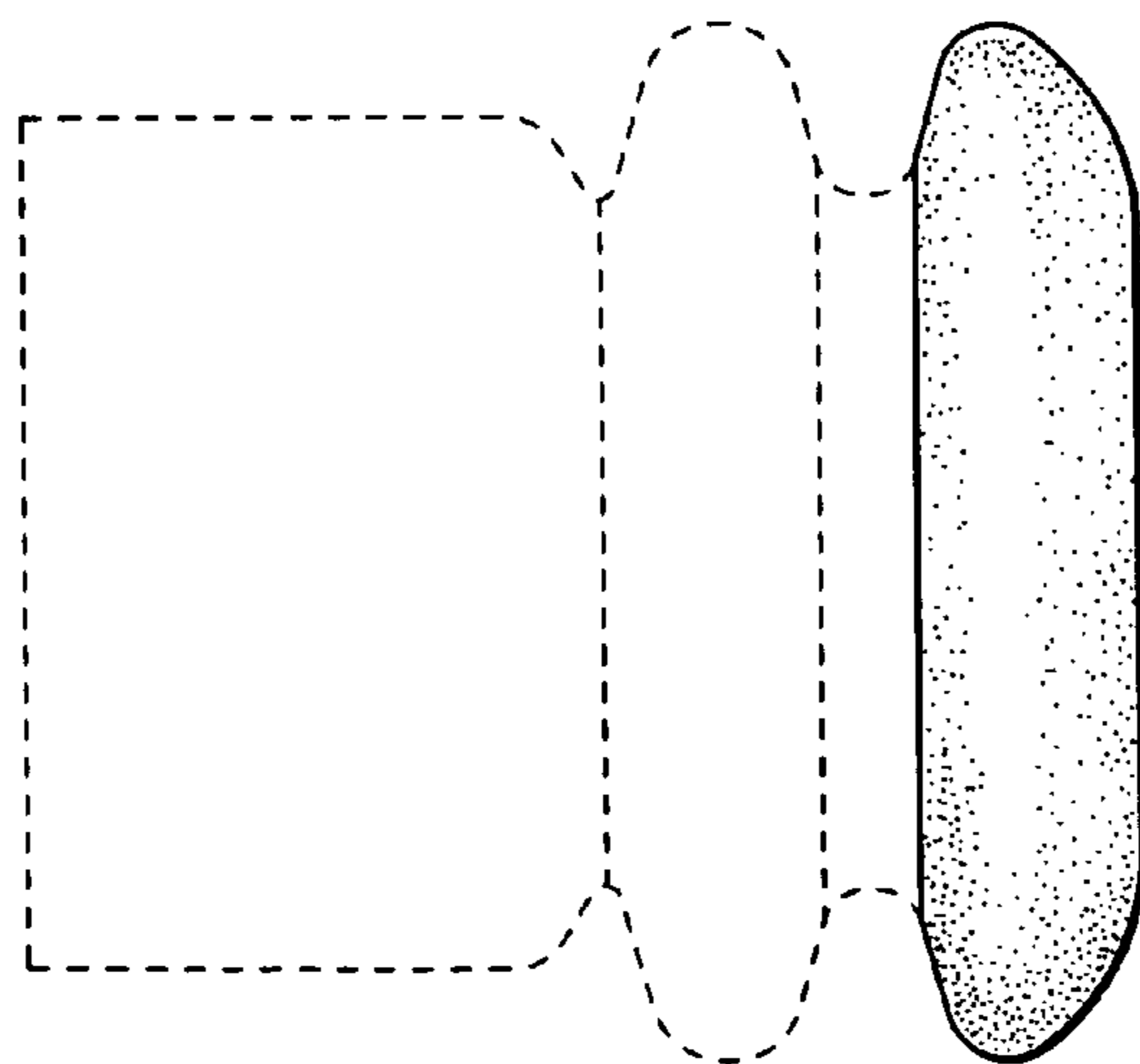


Fig. 3