



US00D600783S

(12) **United States Design Patent**
Narita

(10) **Patent No.:** **US D600,783 S**
(45) **Date of Patent:** **** Sep. 22, 2009**

(54) **ELECTROMAGNETIC VALVE**

D545,945 S * 7/2007 Miyazoe D23/233

(75) Inventor: **Masaru Narita**, Tsukubamirai (JP)

* cited by examiner

(73) Assignee: **SMC Corporation**, Chiyoda-ku, Tokyo (JP)

Primary Examiner—Cathron C. Brooks

Assistant Examiner—Maurice Stevens

(**) Term: **14 Years**

(74) *Attorney, Agent, or Firm*—Yokoi & Co., U.S.A., Inc.; Peter Ganjian

(21) Appl. No.: **29/334,313**

(57) **CLAIM**

(22) Filed: **Mar. 24, 2009**

The ornamental design for an electromagnetic valve, as shown and described.

(30) **Foreign Application Priority Data**

Oct. 10, 2008 (JP) 2008-026312

DESCRIPTION

(51) **LOC (9) Cl.** **23-01**

FIG. 1 shows a front view of an electromagnetic valve showing my new design;

(52) **U.S. Cl.** **D23/233**

FIG. 2 shows a rear view thereof;

(58) **Field of Classification Search** D23/233–237, D23/244–249; D15/5, 7, 199; 137/554, 137/557, 560, 882, 884, 343, 625.64, 269, 137/271; 251/12, 130, 129.04, 219, 331; 4/305

FIG. 3 shows a right side view thereof;

FIG. 4 shows a left side view thereof;

See application file for complete search history.

FIG. 5 shows a top view thereof;

FIG. 6 shows a bottom view thereof;

(56) **References Cited**

U.S. PATENT DOCUMENTS

D479,738 S * 9/2003 Hayashi et al. D23/233
D532,865 S * 11/2006 Miyazoe et al. D23/233
D545,944 S * 7/2007 Miyazoe D23/233

FIG. 7 shows a top, front and right side perspective view thereof; and,

FIG. 8 shows a bottom, front and left side perspective view thereof.

1 Claim, 4 Drawing Sheets

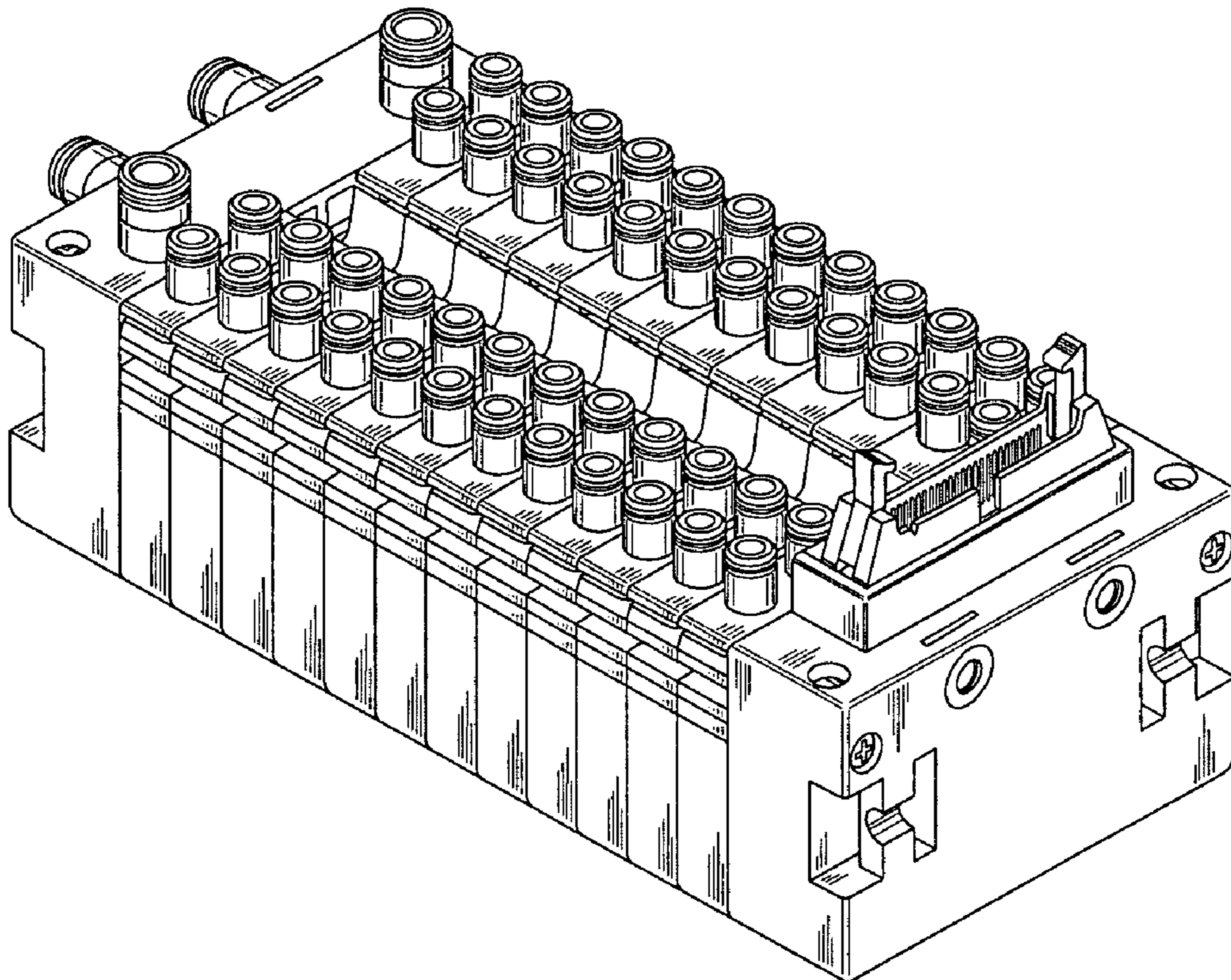


FIG. 1

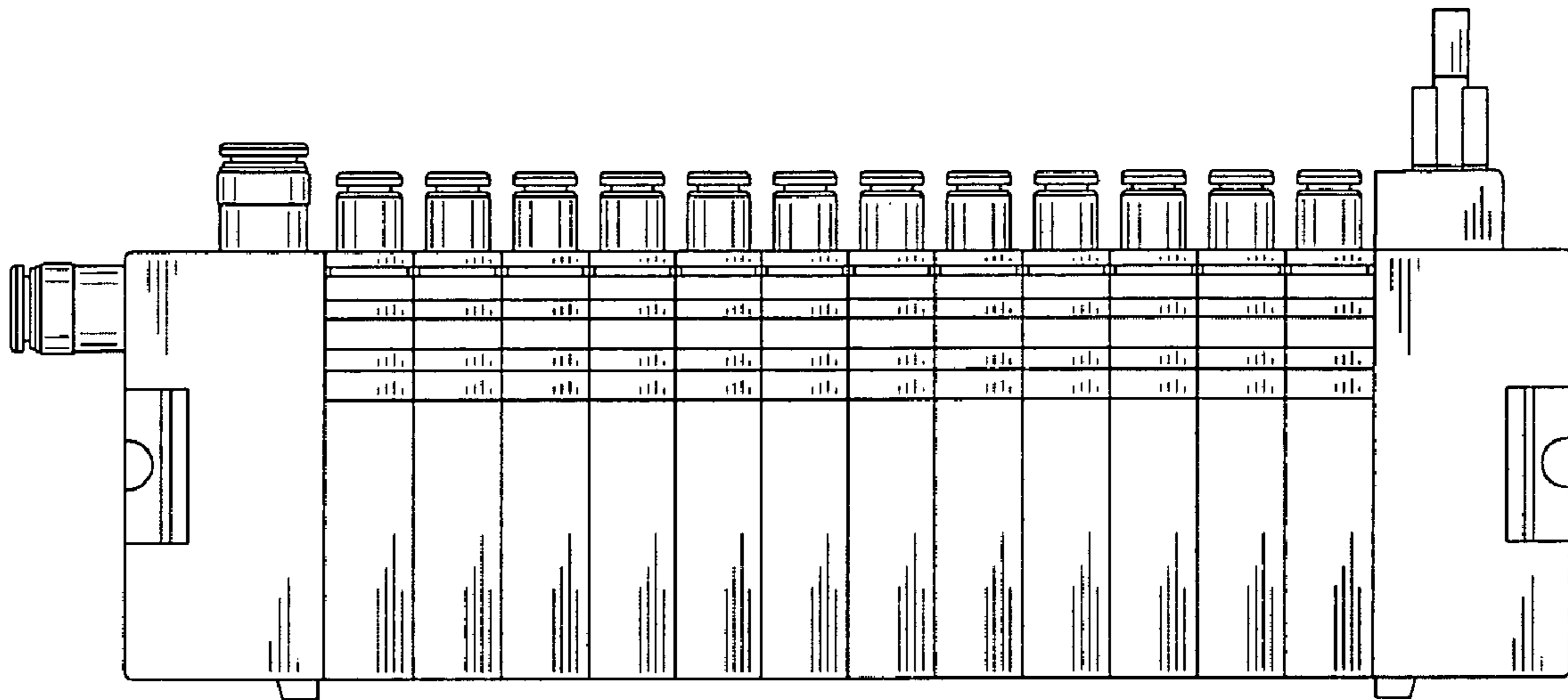


FIG. 2

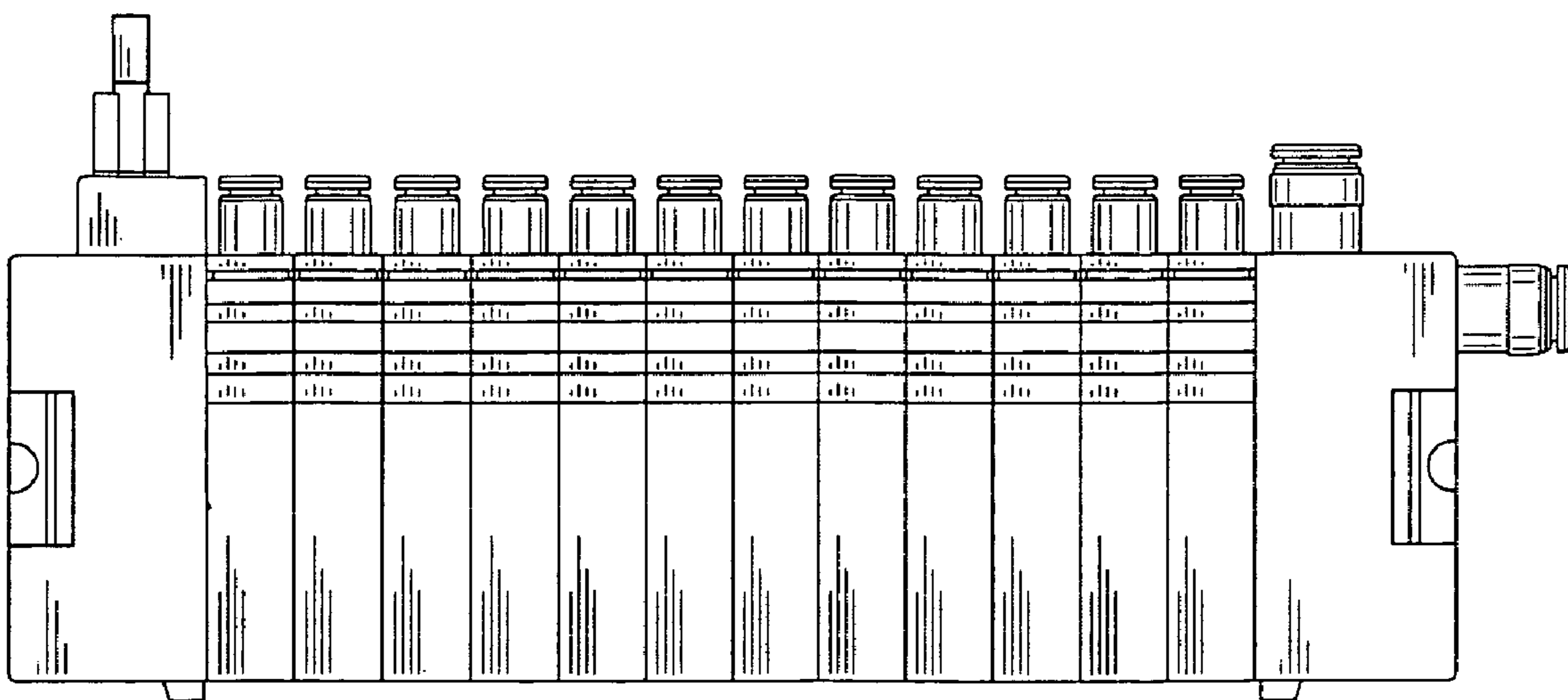


FIG. 3

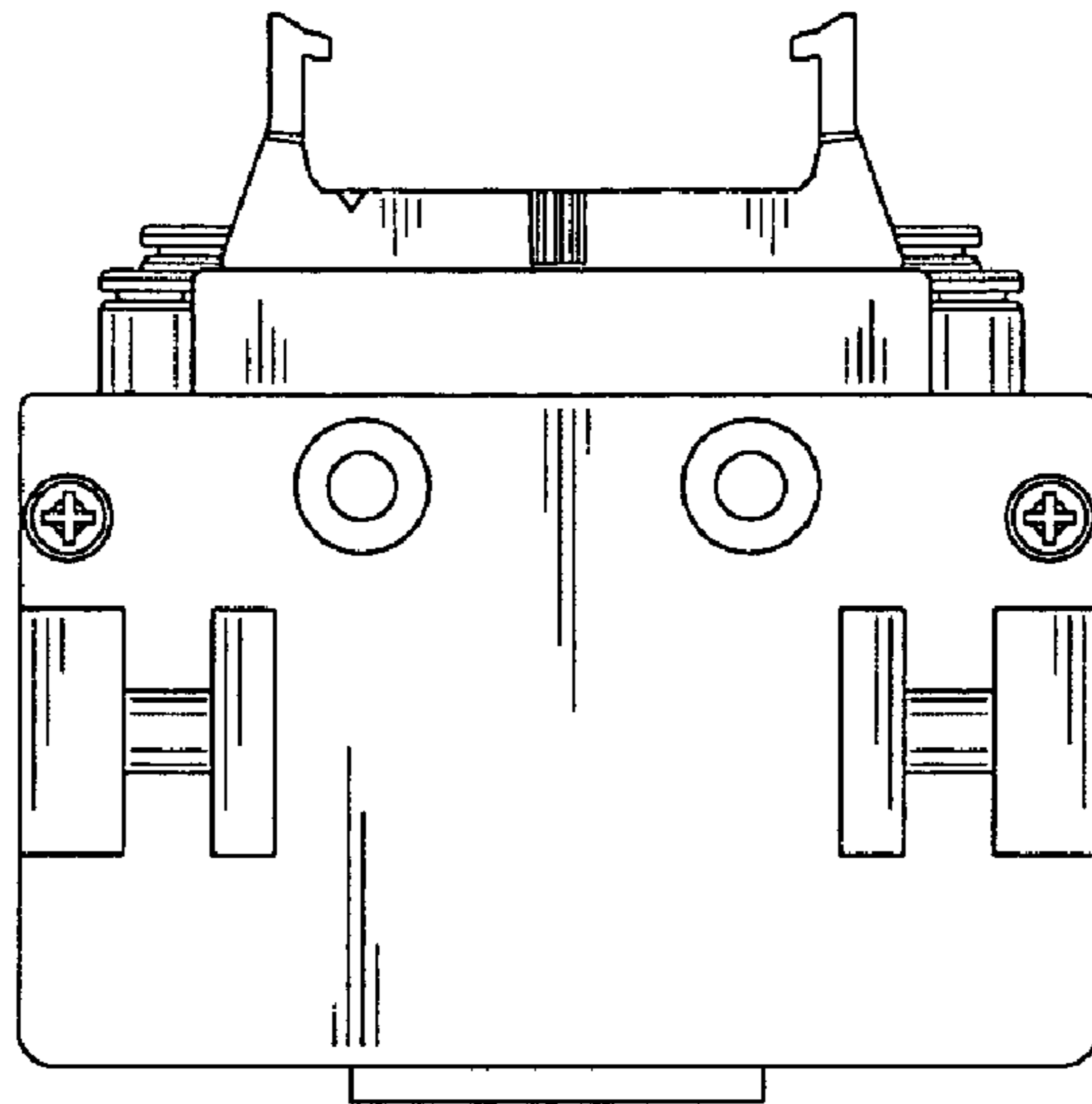


FIG. 4

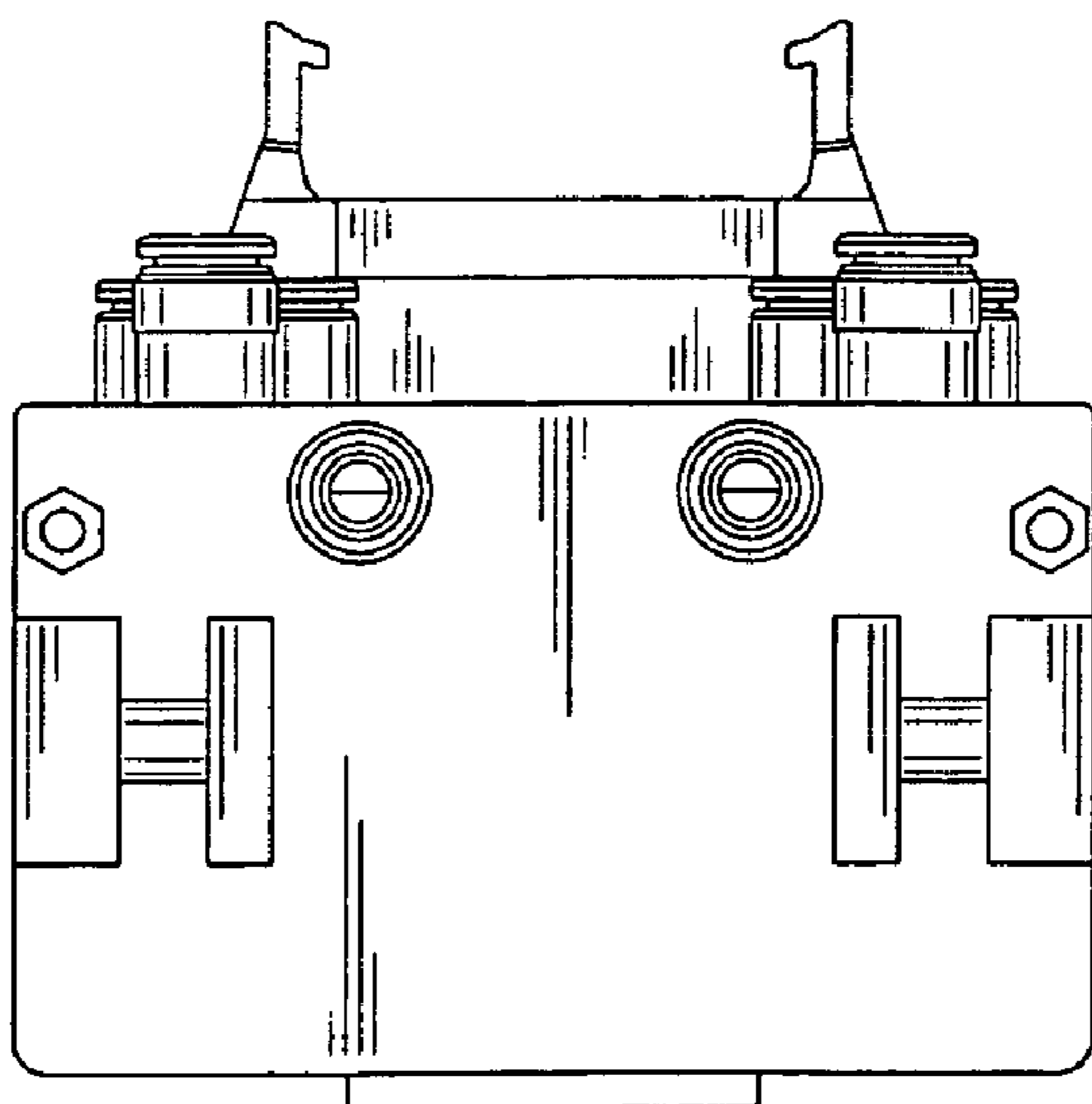


FIG. 5

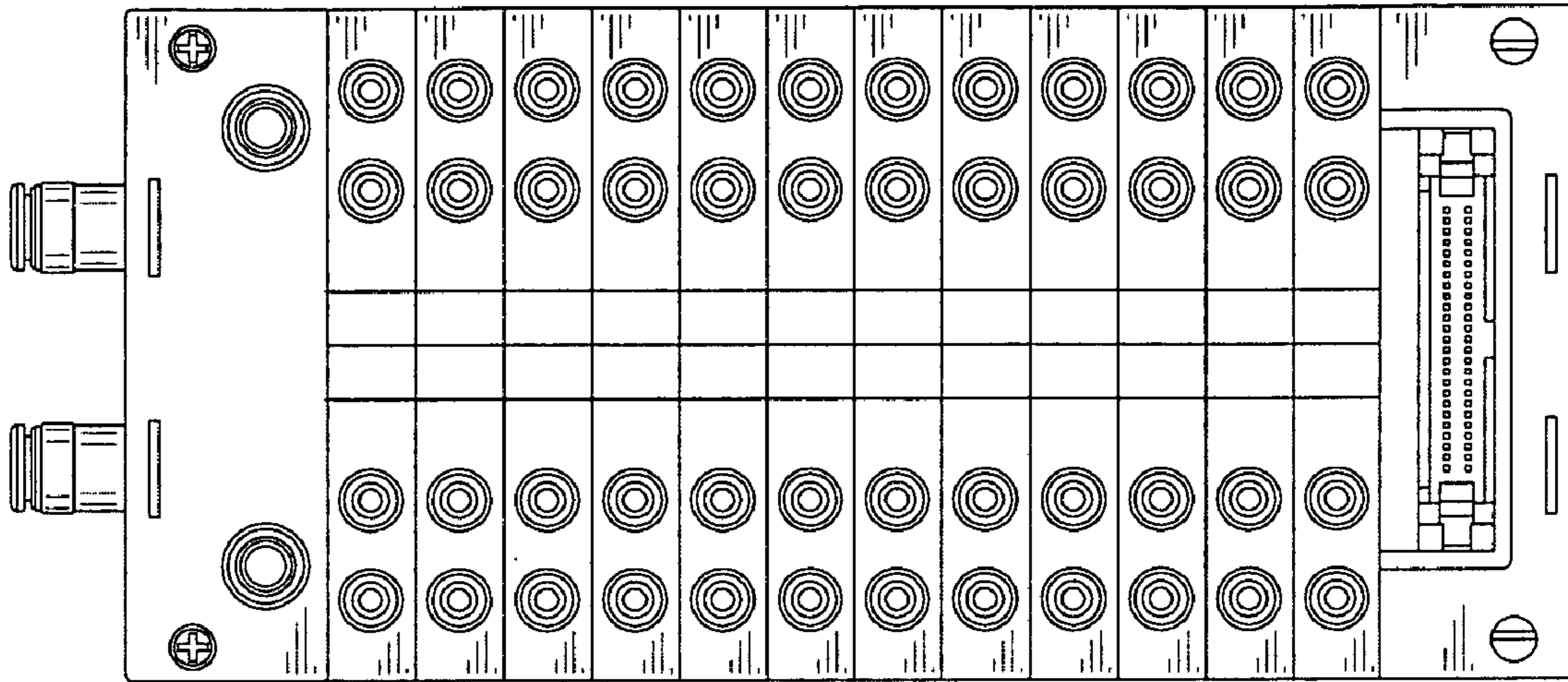


FIG. 6

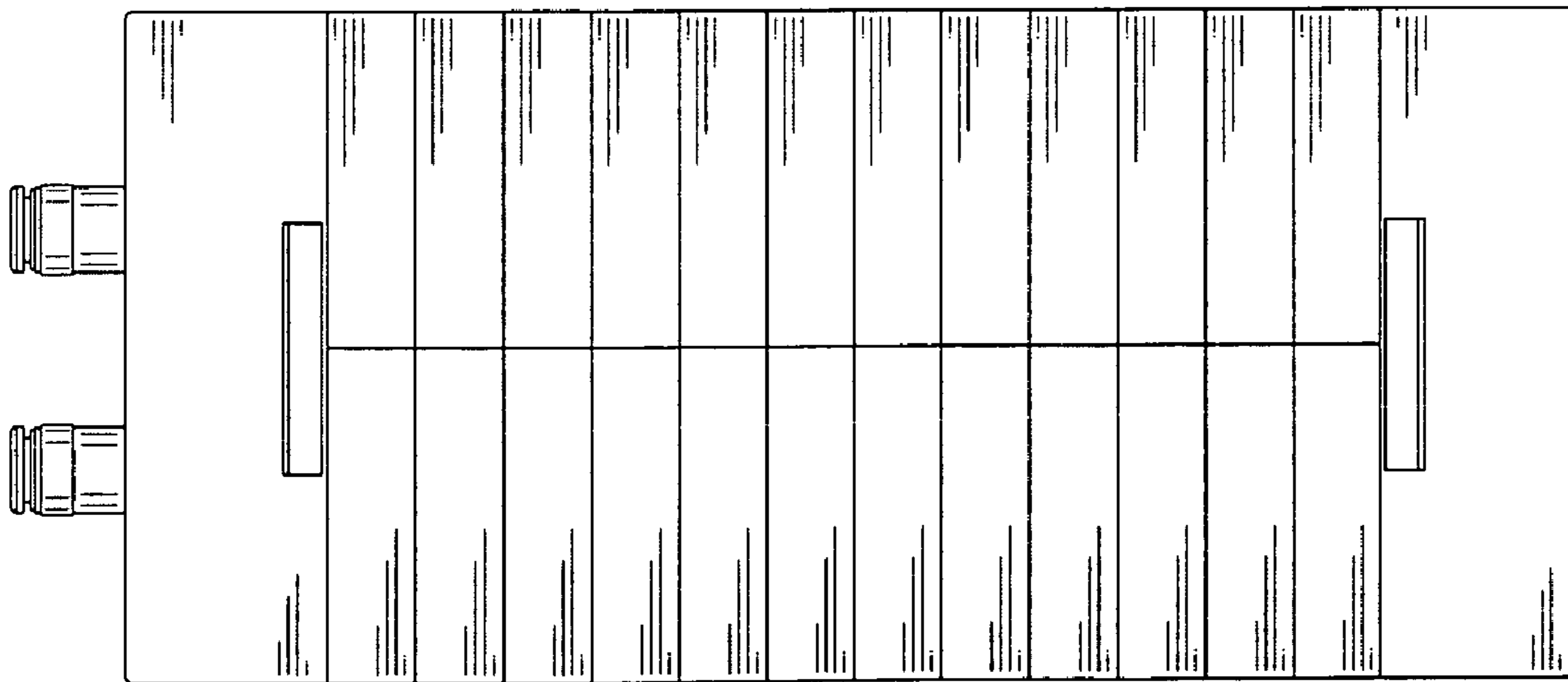


FIG. 7

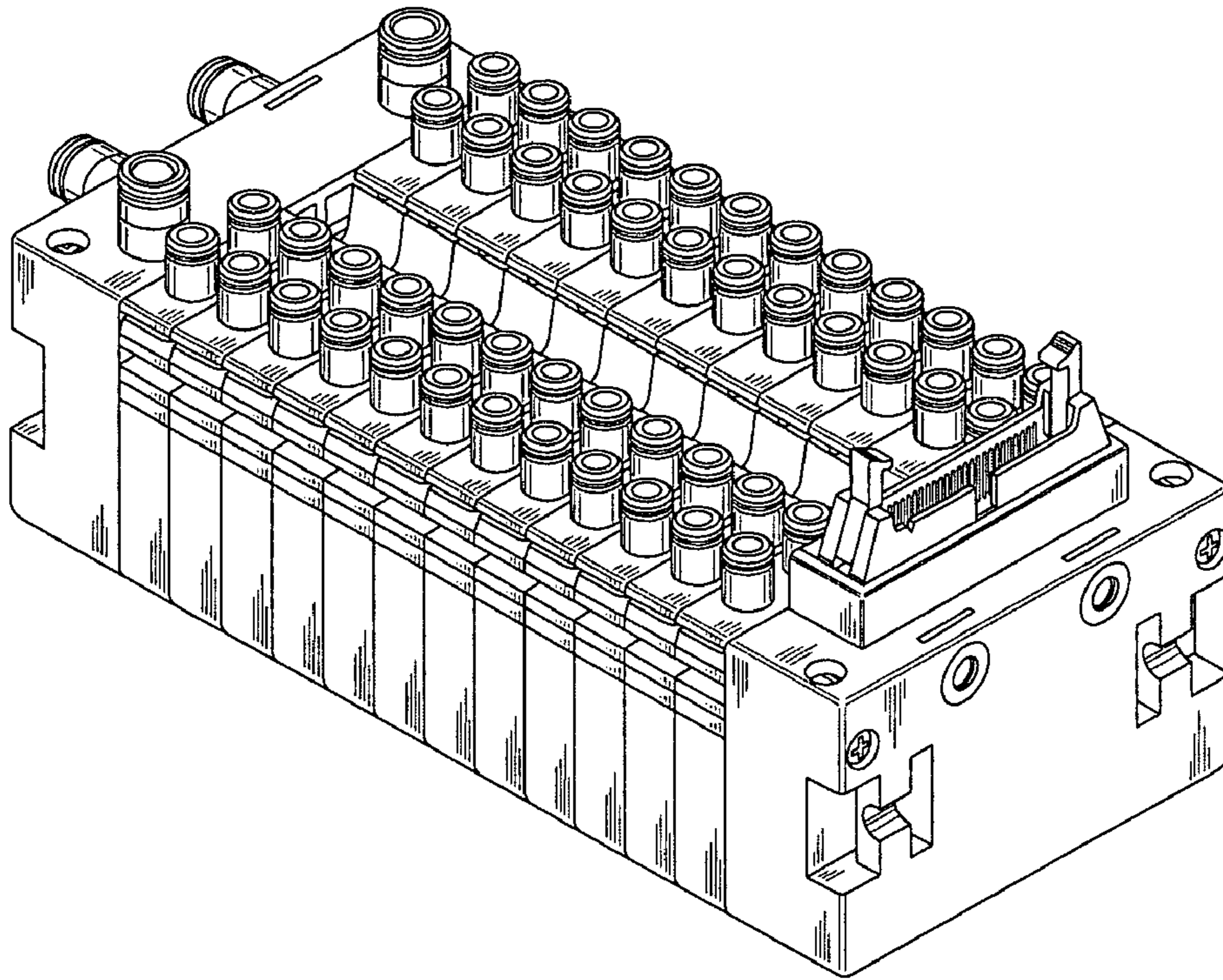


FIG. 8

