



US00D600780S

(12) **United States Design Patent**
Shishido

(10) **Patent No.:** **US D600,780 S**

(45) **Date of Patent:** **** Sep. 22, 2009**

(54) **FLOW CONTROL VALVE FOR AIR PRESSURE DEVICE**

D539,386 S * 3/2007 Hayashi et al. D23/233
D558,859 S * 1/2008 Kato et al. D23/233
D562,436 S * 2/2008 Kato et al. D23/233

(75) Inventor: **Kenji Shishido**, Tsukubamirai (JP)

* cited by examiner

(73) Assignee: **SMC Corporation**, Chiyoda-ku, Tokyo (JP)

Primary Examiner—Cathron C. Brooks

Assistant Examiner—Maurice Stevens

(**) Term: **14 Years**

(74) *Attorney, Agent, or Firm*—Yokoi & Co., U.S.A., Inc.; Peter Ganjian

(21) Appl. No.: **29/308,076**

(57) **CLAIM**

(22) Filed: **May 27, 2008**

The ornamental design for a flow control valve for air pressure device, as shown and described.

(30) **Foreign Application Priority Data**

Nov. 30, 2007 (JP) 2007-032940

DESCRIPTION

(51) **LOC (9) Cl.** **23-01**

FIG. 1 shows a front view of a flow control valve for air pressure device showing my new design;

(52) **U.S. Cl.** **D23/233**

FIG. 2 shows a rear view thereof;

(58) **Field of Classification Search** D23/233-237;

FIG. 3 shows a top view thereof;

251/205, 208, 215, 309-310, 312, 904, 311

FIG. 4 shows a bottom view thereof;

See application file for complete search history.

FIG. 5 shows a left side view thereof;

(56) **References Cited**

FIG. 6 shows a right side view thereof;

U.S. PATENT DOCUMENTS

FIG. 7 shows a top, front and left side perspective view thereof; and,

4,552,336 A * 11/1985 Pastrone 251/331

FIG. 8 shows a bottom, rear and right side perspective view thereof.

D287,044 S * 12/1986 Hughes D23/248

4,703,775 A * 11/1987 Pastrone 137/625.3

D331,964 S * 12/1992 Hengesbach D23/245

D428,114 S * 7/2000 Le Bars D23/233

1 Claim, 4 Drawing Sheets

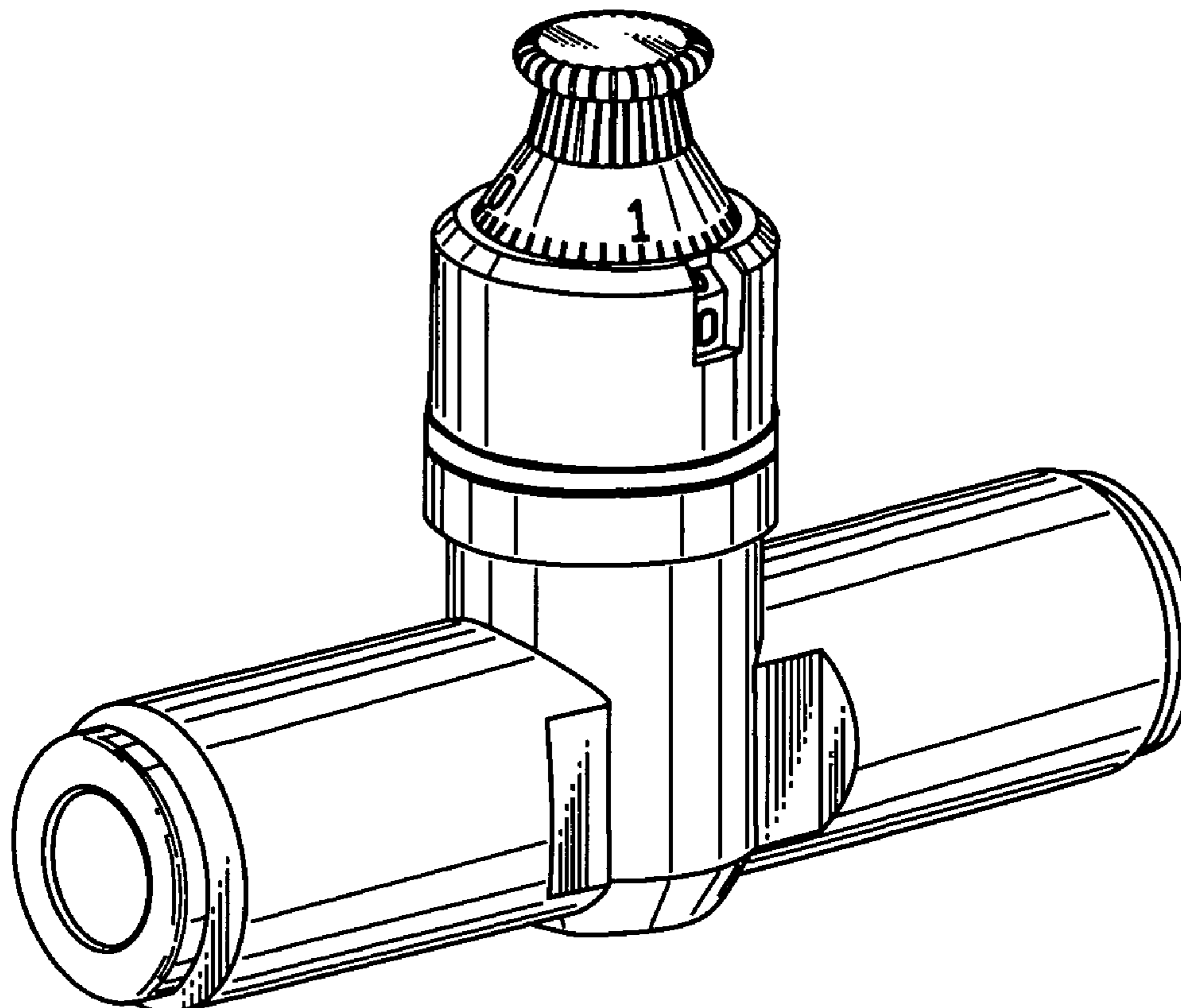


FIG. 1

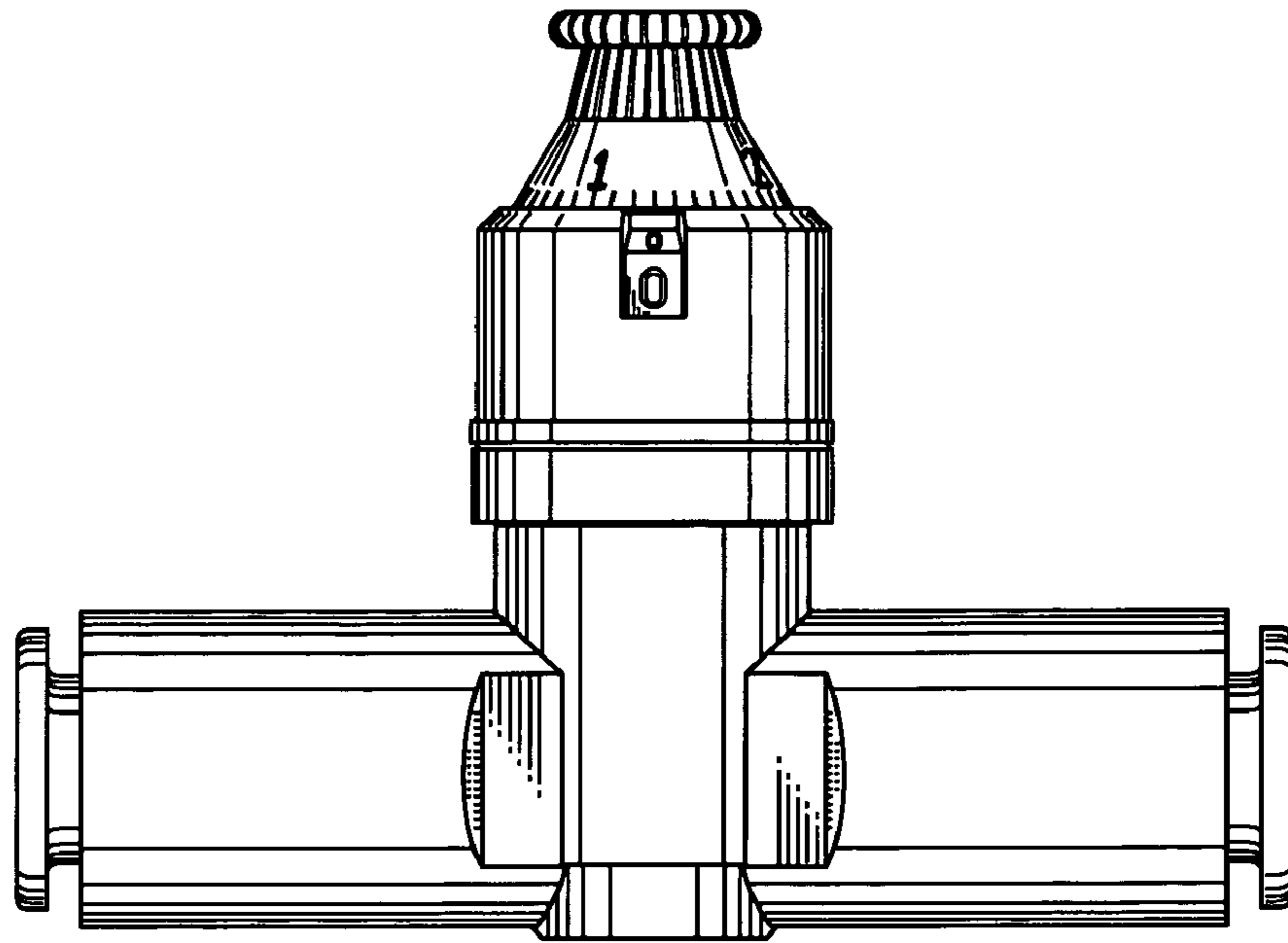


FIG. 2

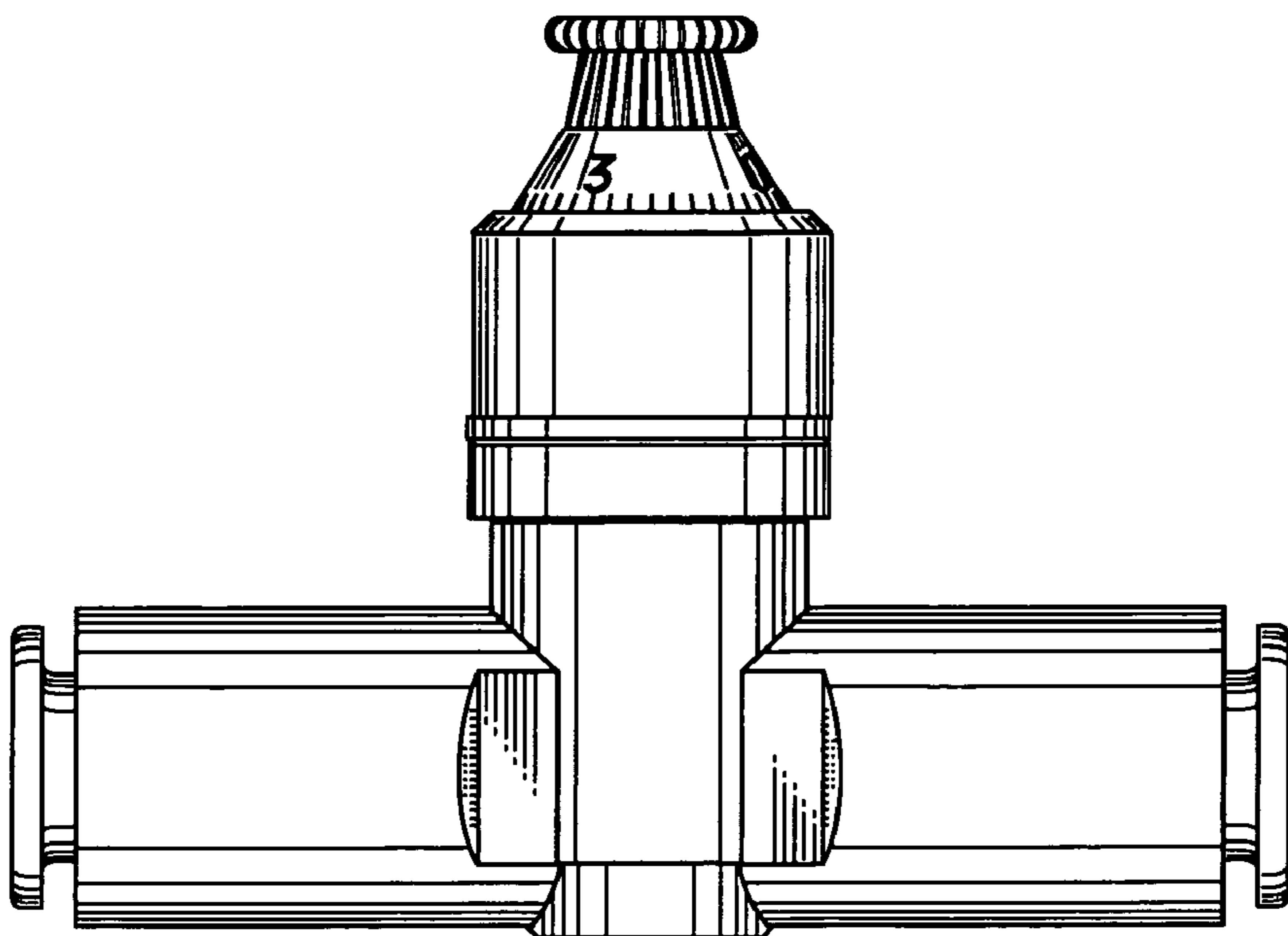


FIG. 3

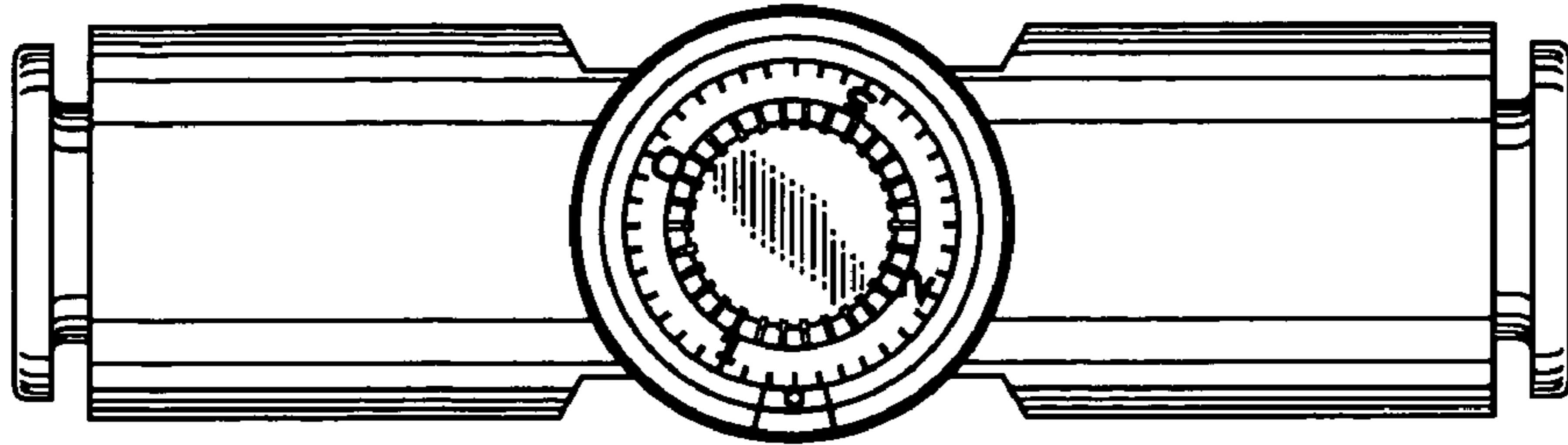


FIG. 4

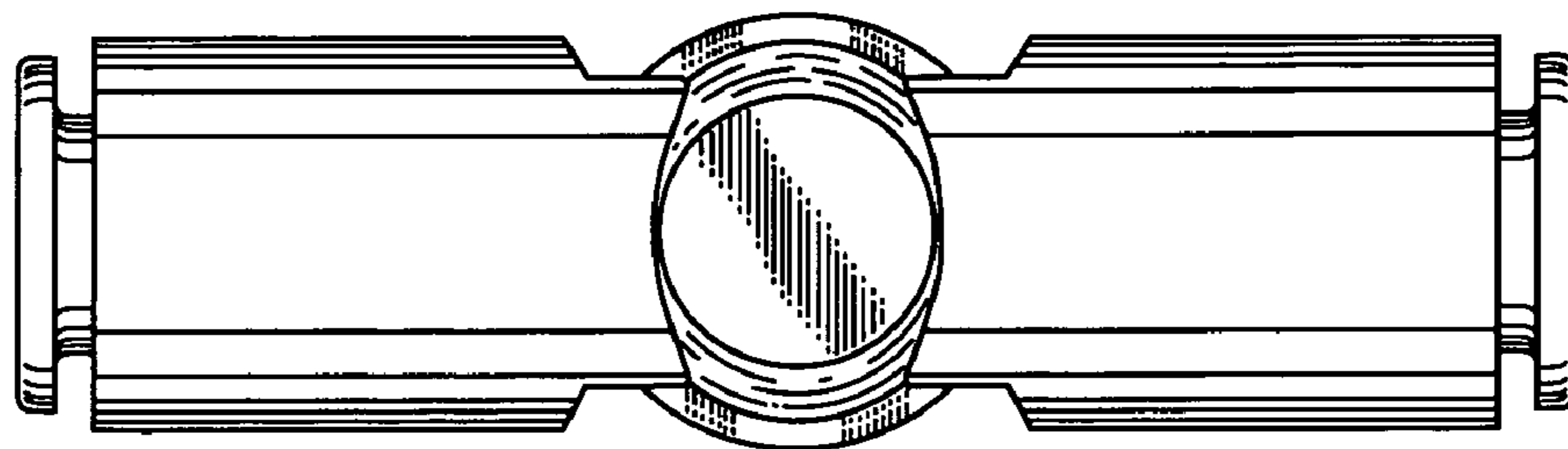


FIG. 5

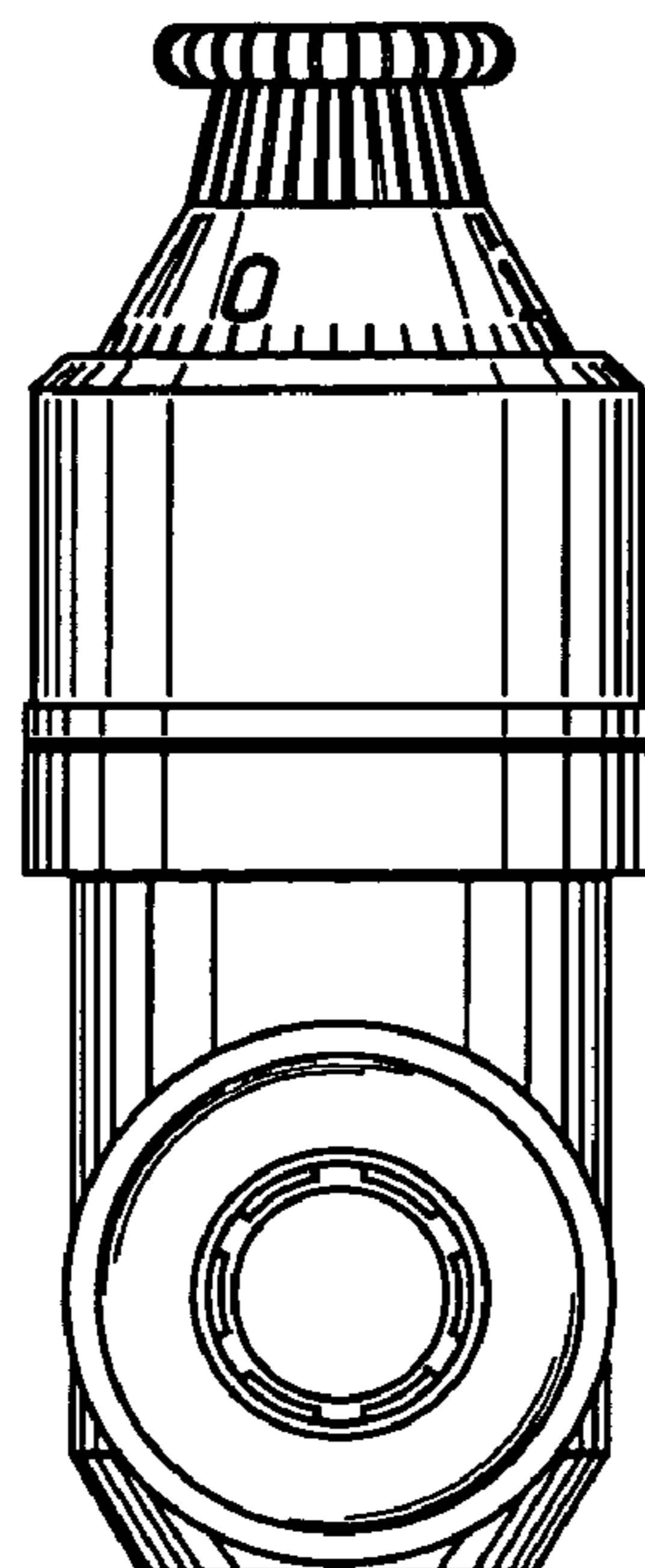


FIG. 6

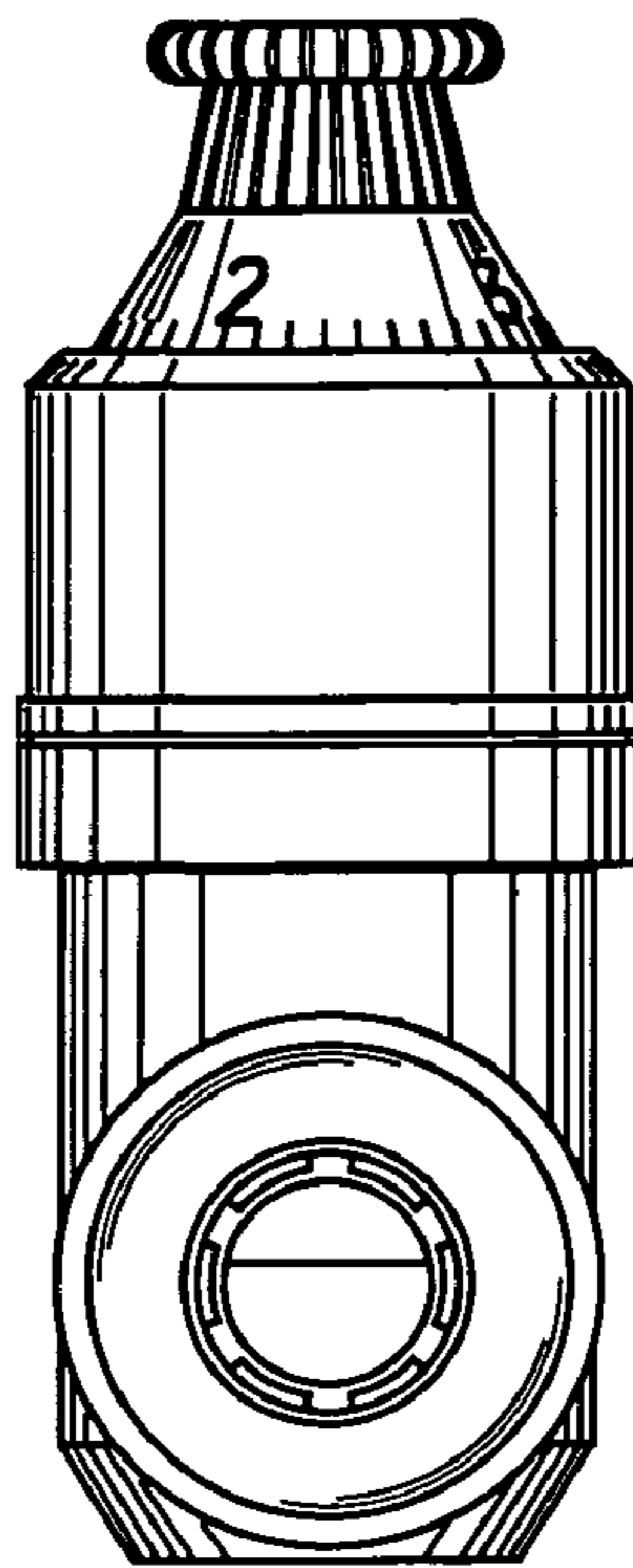


FIG. 7

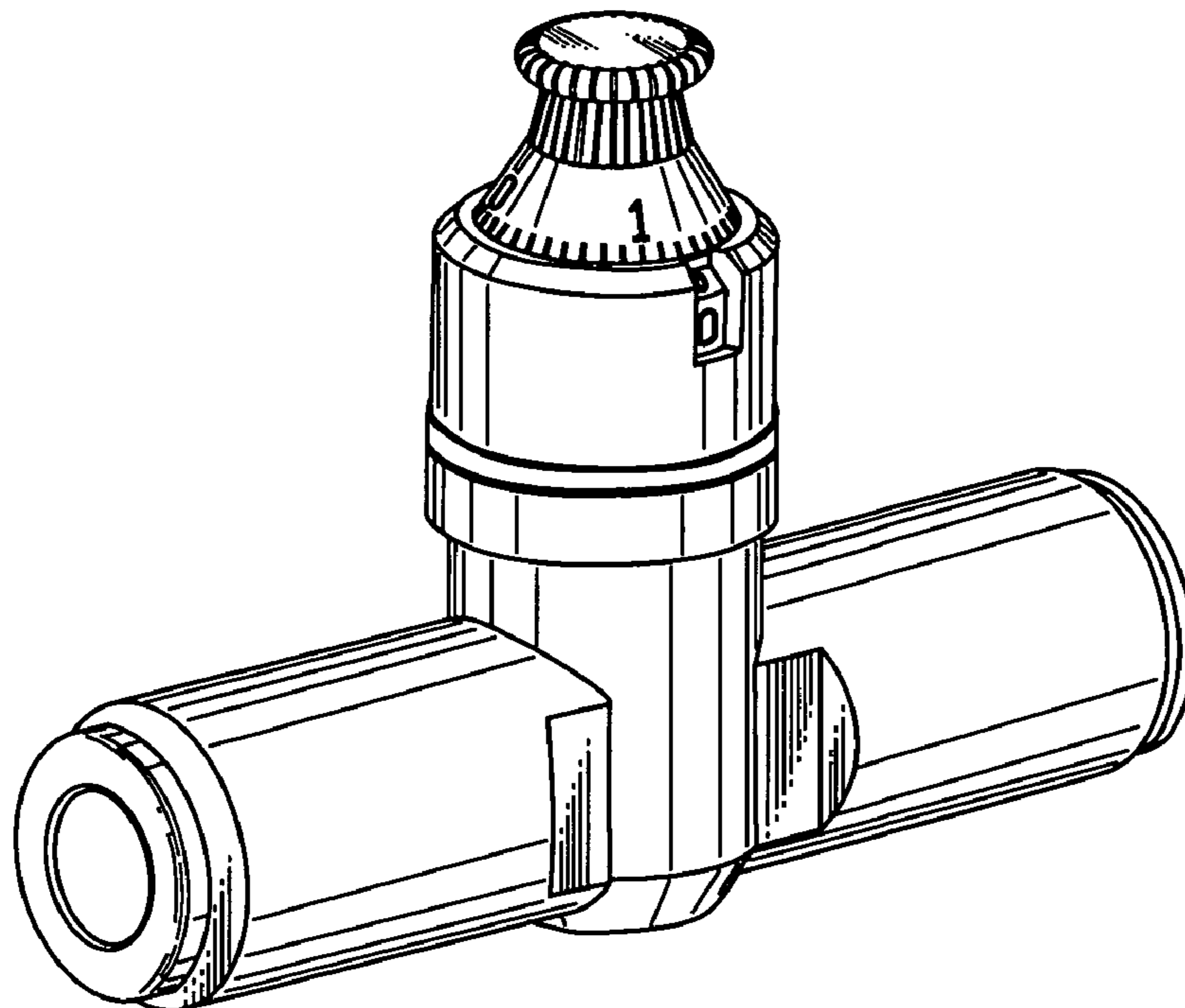


FIG. 8

