



US00D600777S

(12) **United States Design Patent**
Whitaker et al.

(10) **Patent No.:** **US D600,777 S**

(45) **Date of Patent:** **** Sep. 22, 2009**

(54) **SHOWERHEAD ASSEMBLY**

1,218,895 A 3/1917 Porter
1,255,577 A 2/1918 Berry
1,260,181 A 3/1918 Garnero

(75) Inventors: **Carl T. Whitaker**, Berthoud, CO (US);
Leland C. Leber, Fort Collins, CO (US)

(Continued)

(73) Assignee: **Water Pik, Inc.**, Fort Collins, CO (US)

FOREIGN PATENT DOCUMENTS

(**) Term: **14 Years**

CA 659510 3/1963

(21) Appl. No.: **29/325,303**

(Continued)

(22) Filed: **Sep. 29, 2008**

OTHER PUBLICATIONS

(51) **LOC (9) Cl.** **23-01**

Color Copy, Labeled 1A, Gemlo, available at least as early as Dec. 2, 1998.

(52) **U.S. Cl.** **D23/213**

(58) **Field of Classification Search** D23/213,
D23/223, 229–230; 239/282–283, 460, 462

(Continued)

See application file for complete search history.

Primary Examiner—Robin V Webster

(74) *Attorney, Agent, or Firm*—Dorsey & Whitney LLP

(56) **References Cited**

(57) **CLAIM**

U.S. PATENT DOCUMENTS

We claim the ornamental design for a showerhead assembly, as shown and described.

203,094 A	4/1878	Wakeman
204,333 A	5/1878	Josias
309,349 A	12/1884	Hart
428,023 A	5/1890	Schoff
432,712 A	7/1890	Taylor
445,250 A	1/1891	Lawless
486,986 A	11/1892	Schinke
566,384 A	8/1896	Engelhart
566,410 A	8/1896	Schinke
570,405 A	10/1896	Jerguson et al.
694,888 A	3/1902	Pflugger
800,802 A	10/1905	Franquist
832,523 A	10/1906	Andersson
835,678 A	11/1906	Hammond
854,094 A	5/1907	Klein
926,929 A	7/1909	Dusseau
1,001,842 A	8/1911	Greenfield
1,003,037 A	9/1911	Crowe
1,018,143 A	2/1912	Vissering
1,046,573 A	12/1912	Ellis
1,203,466 A	10/1916	Benson
1,217,254 A	2/1917	Winslow

DESCRIPTION

FIG. 1 is a perspective view of a showerhead assembly showing our new design;

FIG. 2 is a front view of the present invention of FIG. 1.

FIG. 3 is a rear view of the present invention of FIG. 1.

FIG. 4 is a right side view of the present invention of FIG. 1.

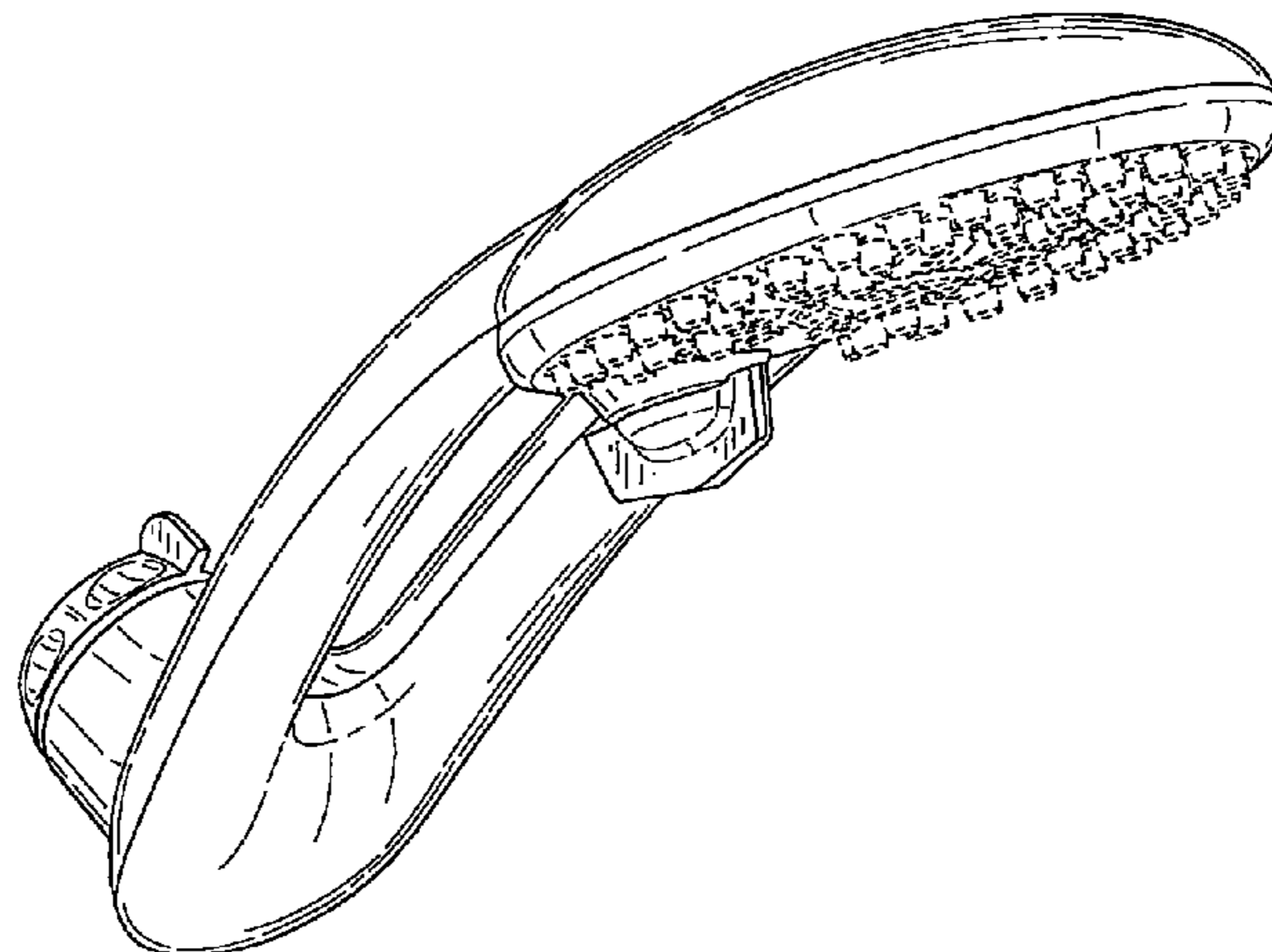
FIG. 5 is a left side view of the present invention of FIG. 1.

FIG. 6 is a top view of the present invention of FIG. 1; and,

FIG. 7 is a bottom view of the present invention of FIG. 1.

The broken line showing portions of the showerhead is included for the purpose of illustrating and forms no part of the claimed design.

1 Claim, 4 Drawing Sheets



US D600,777 S

Page 2

U.S. PATENT DOCUMENTS					
			3,037,799 A	6/1962	Mulac
1,276,117 A	8/1918	Riebe	3,081,339 A	3/1963	Green et al.
1,284,099 A	11/1918	Harris	3,092,333 A	6/1963	Gaiotto
1,327,428 A	1/1920	Gregory	3,098,508 A	7/1963	Gerdes
1,451,800 A	4/1923	Agner	3,103,723 A	9/1963	Becker
1,459,582 A	6/1923	Dubee	3,104,815 A	9/1963	Schultz
1,469,528 A	10/1923	Owens	3,104,827 A	9/1963	Aghnides
1,500,921 A	7/1924	Bramson et al.	3,111,277 A	11/1963	Grimsley
1,560,789 A	11/1925	Johnson et al.	3,143,857 A	8/1964	Eaton
1,597,477 A	8/1926	Panhorst	3,196,463 A	7/1965	Farneth
1,633,531 A	6/1927	Keller	3,231,200 A	1/1966	Heald
1,692,394 A	11/1928	Sundh	3,236,545 A	2/1966	Parkes et al.
1,695,263 A	12/1928	Jacques	3,239,152 A	3/1966	Bachli et al.
1,724,147 A	8/1929	Russell	3,266,059 A	8/1966	Stelle
1,724,161 A	8/1929	Wuesthoff	3,273,359 A	9/1966	Fregeolle
1,736,160 A	11/1929	Jonsson	3,306,634 A	2/1967	Groves et al.
1,754,127 A	4/1930	Srulowitz	3,323,148 A	6/1967	Burnon
1,758,115 A	5/1930	Kelly	3,329,967 A	7/1967	Martinez et al.
1,778,658 A	10/1930	Baker	3,341,132 A	9/1967	Parkison
1,821,274 A	9/1931	Plummer	3,342,419 A	9/1967	Weese
1,849,517 A	3/1932	Fraser	3,344,994 A	10/1967	Fife
1,890,156 A	12/1932	Konig	3,363,842 A	1/1968	Burns
1,906,575 A	5/1933	Goeriz	3,383,051 A	5/1968	Fiorentino
1,934,553 A	11/1933	Mueller et al.	3,389,925 A	6/1968	Gottschald
1,946,207 A	2/1934	Haire	3,393,311 A	7/1968	Dahl
2,011,446 A	8/1935	Judell	3,393,312 A	7/1968	Dahl
2,024,930 A	12/1935	Judell	3,404,410 A	10/1968	Sumida
2,033,467 A	3/1936	Groeniger	3,492,029 A	1/1970	French et al.
2,044,445 A	6/1936	Price et al.	3,516,611 A	6/1970	Piggott
2,085,854 A	7/1937	Hathaway et al.	3,546,961 A	12/1970	Marton
2,096,912 A	10/1937	Morris	3,550,863 A	12/1970	McDermott
2,117,152 A	5/1938	Crosti	3,552,436 A	1/1971	Stewart
D113,439 S	2/1939	Reinecke	3,565,110 A	2/1971	Gabin
2,196,783 A	4/1940	Shook	3,566,917 A	3/1971	White
2,197,667 A	4/1940	Shook	3,580,513 A	5/1971	Martin
2,216,149 A	10/1940	Weiss	3,584,822 A	6/1971	Oram
D126,433 S	4/1941	Enthof	3,596,835 A	8/1971	Smith et al.
2,251,192 A	7/1941	Krumsiek et al.	3,612,577 A	10/1971	Pope
2,268,263 A	12/1941	Newell et al.	3,637,143 A	1/1972	Shames et al.
2,285,831 A	6/1942	Pennypacker	3,641,333 A	2/1972	Gendron
2,342,757 A	2/1944	Roser	3,647,144 A	3/1972	Parkison et al.
2,402,741 A	6/1946	Draviner	3,663,044 A	5/1972	Contreras et al.
D147,258 S	8/1947	Becker	3,669,470 A	6/1972	Deurloo
D152,584 S	2/1949	Becker	3,672,648 A	6/1972	Price
2,467,954 A	4/1949	Becker	3,682,392 A	8/1972	Kint
2,546,348 A	3/1951	Schuman	3,685,745 A	8/1972	Peschcke-koedt
2,567,642 A	9/1951	Penshaw	D224,834 S	9/1972	Laudell
2,581,129 A	1/1952	Muldoon	3,711,029 A	1/1973	Bartlett
D166,073 S	3/1952	Dunkelberger	3,722,798 A	3/1973	Bletcher et al.
2,648,762 A	8/1953	Dunkelberger	3,722,799 A	3/1973	Rauh
2,664,271 A	12/1953	Arutunoff	3,731,084 A	5/1973	Trevorrow
2,671,693 A	3/1954	Hyser et al.	3,754,779 A	8/1973	Peress
2,676,806 A	4/1954	Bachman	D228,622 S	10/1973	Juhlin
2,679,575 A	5/1954	Haberstump	3,762,648 A	10/1973	Deines et al.
2,680,358 A	6/1954	Zublin	3,768,735 A	10/1973	Ward
2,726,120 A	12/1955	Bletcher et al.	3,786,995 A	1/1974	Manoogian et al.
2,759,765 A	8/1956	Pawley	3,801,019 A	4/1974	Trenary et al.
2,776,168 A	1/1957	Schweda	3,810,580 A	5/1974	Rauh
2,792,847 A	5/1957	Spencer	3,826,454 A	7/1974	Zieger
2,873,999 A	2/1959	Webb	3,840,734 A	10/1974	Oram
2,930,505 A	3/1960	Meyer	3,845,291 A	10/1974	Portyrata
2,931,672 A	4/1960	Merritt et al.	3,860,271 A	1/1975	Rodgers
2,935,265 A	5/1960	Richter	3,861,719 A	1/1975	Hand
2,949,242 A	8/1960	Blumberg et al.	3,865,310 A	2/1975	Elkins et al.
2,957,587 A	10/1960	Tobin	3,869,151 A	3/1975	Fletcher et al.
2,966,311 A	12/1960	Davis	3,896,845 A	7/1975	Parker
D190,592 S	5/1961	Becker	3,902,671 A	9/1975	Symmons
2,992,437 A	7/1961	Nelson et al.	3,910,277 A	10/1975	Zimmer
3,007,648 A	11/1961	Fraser	D237,708 S	11/1975	Grohe
D192,935 S	5/1962	Becker	3,929,164 A	12/1975	Richter
3,032,357 A	5/1962	Shames et al.	3,958,756 A	5/1976	Trenary et al.
3,034,809 A	5/1962	Greenberg	D240,322 S	6/1976	Staub
			3,967,783 A	7/1976	Halsted et al.

US D600,777 S

Page 3

3,979,096 A	9/1976	Zieger	D281,820 S	12/1985	Oba et al.
3,997,116 A	12/1976	Moen	4,561,593 A	12/1985	Cammack et al.
3,998,390 A	12/1976	Peterson et al.	4,564,889 A	1/1986	Bolson
3,999,714 A	12/1976	Lang	4,571,003 A	2/1986	Roling et al.
4,005,880 A	2/1977	Anderson et al.	4,572,232 A	2/1986	Gruber
4,006,920 A	2/1977	Sadler et al.	D283,645 S	4/1986	Tanaka
4,023,782 A	5/1977	Eifer	4,587,991 A	5/1986	Chorkey
4,042,984 A	8/1977	Butler	4,588,130 A	5/1986	Trenary et al.
4,045,054 A	8/1977	Arnold	4,598,866 A	7/1986	Cammack et al.
D245,858 S	9/1977	Grube	4,614,303 A	9/1986	Moseley, Jr. et al.
D245,860 S	9/1977	Grube	4,616,298 A	10/1986	Bolson
4,068,801 A	1/1978	Leutheuser	4,618,100 A	10/1986	White et al.
4,081,135 A	3/1978	Tomaro	4,629,124 A	12/1986	Gruber
4,084,271 A	4/1978	Ginsberg	4,629,125 A	12/1986	Liu
4,091,998 A	5/1978	Peterson	4,643,463 A	2/1987	Halling et al.
D249,356 S	9/1978	Nagy	4,645,244 A	2/1987	Curtis
4,117,979 A	10/1978	Lagarelli et al.	4,650,120 A	3/1987	Kress
4,129,257 A	12/1978	Eggert	4,650,470 A	3/1987	Epstein
4,130,120 A	12/1978	Kohler, Jr.	4,652,025 A	3/1987	Conroy, Sr.
4,131,233 A	12/1978	Koenig	4,654,900 A	4/1987	McGhee
4,133,486 A	1/1979	Fanella	4,657,185 A	4/1987	Rundzaitis
4,135,549 A	1/1979	Baker	4,669,666 A	6/1987	Finkbeiner
D251,045 S	2/1979	Grube	4,669,757 A	6/1987	Bartholomew
4,141,502 A	2/1979	Grohe	4,674,687 A	6/1987	Smith et al.
4,151,955 A	5/1979	Stouffer	4,683,917 A	8/1987	Bartholomew
4,151,957 A	5/1979	Gecewicz et al.	4,703,893 A	11/1987	Gruber
4,162,801 A	7/1979	Kresky et al.	4,719,654 A	1/1988	Blessing
4,165,837 A	8/1979	Rundzaitis	4,733,337 A	3/1988	Bieberstein
4,167,196 A	9/1979	Morris	D295,437 S	4/1988	Fabian
4,174,822 A	11/1979	Larsson	4,739,801 A	4/1988	Kimura et al.
4,185,781 A	1/1980	O'Brien	4,749,126 A	6/1988	Kessener et al.
4,190,207 A	2/1980	Fienhold et al.	D296,582 S	7/1988	Haug et al.
4,191,332 A	3/1980	De Langis et al.	4,754,928 A	7/1988	Rogers et al.
4,203,550 A	5/1980	On	D297,160 S	8/1988	Robbins
4,209,132 A	6/1980	Kwan	4,764,047 A	8/1988	Johnston et al.
D255,626 S	7/1980	Grube	4,778,104 A	10/1988	Fisher
4,219,160 A	8/1980	Allred, Jr.	4,787,591 A	11/1988	Villacorta
4,221,338 A	9/1980	Shames et al.	4,790,294 A	12/1988	Allred, III et al.
4,243,253 A	1/1981	Rogers, Jr.	4,801,091 A	1/1989	Sandvik
4,244,526 A	1/1981	Arth	4,809,369 A	3/1989	Bowden
D258,677 S	3/1981	Larsson	4,839,599 A	6/1989	Fischer
4,254,914 A	3/1981	Shames et al.	4,842,059 A	6/1989	Tomek
4,258,414 A	3/1981	Sokol	D302,325 S	7/1989	Charet et al.
4,272,022 A	6/1981	Evans	4,850,616 A	7/1989	Pava
4,274,400 A	6/1981	Baus	4,854,499 A	8/1989	Neuman
4,282,612 A	8/1981	King	4,856,822 A	8/1989	Parker
D261,300 S	10/1981	Klose	4,865,362 A	9/1989	Holden
D261,417 S	10/1981	Klose	D303,830 S	10/1989	Ramsey et al.
4,303,201 A	12/1981	Elkins et al.	4,871,196 A	10/1989	Kingsford
4,319,608 A	3/1982	Raikov et al.	4,896,658 A	1/1990	Yonekubo et al.
4,330,089 A	5/1982	Finkbeiner	D306,351 S	2/1990	Charet et al.
D266,212 S	9/1982	Haug et al.	4,901,927 A	2/1990	Valdivia
4,350,298 A	9/1982	Tada	4,903,178 A	2/1990	Englot et al.
4,353,508 A	10/1982	Butterfield et al.	4,903,897 A	2/1990	Hayes
4,358,056 A	11/1982	Greenhut et al.	4,903,922 A	2/1990	Harris, III
D267,582 S	1/1983	Mackay et al.	4,907,137 A	3/1990	Schladitz et al.
D268,359 S	3/1983	Klose	4,907,744 A	3/1990	Jousson
D268,442 S	3/1983	Darmon	4,909,435 A	3/1990	Kidouchi et al.
D268,611 S	4/1983	Klose	4,914,759 A	4/1990	Goff
4,383,554 A	5/1983	Merriman	4,946,202 A	8/1990	Perricone
4,396,797 A	8/1983	Sakuragi et al.	4,951,329 A	8/1990	Shaw
4,398,669 A	8/1983	Fienhold	4,953,585 A	9/1990	Rollini et al.
4,425,965 A	1/1984	Bayh, III et al.	4,964,573 A	10/1990	Lipski
4,432,392 A	2/1984	Paley	4,972,048 A	11/1990	Martin
D274,457 S	6/1984	Haug	D313,267 S	12/1990	Lenci et al.
4,461,052 A	7/1984	Mostul	4,976,460 A	12/1990	Newcombe et al.
4,465,308 A	8/1984	Martini	D314,246 S	1/1991	Bache
4,467,964 A	8/1984	Kaeser	D315,191 S	3/1991	Mikol
4,495,550 A	1/1985	Visciano	4,998,673 A	3/1991	Pilolla
4,527,745 A	7/1985	Butterfield et al.	5,004,158 A	4/1991	Halem et al.
4,540,202 A	9/1985	Amphoux et al.	D317,348 S	6/1991	Geneve et al.
4,545,081 A	10/1985	Nestor et al.	5,020,570 A	6/1991	Cotter
4,553,775 A	11/1985	Halling	5,022,103 A	6/1991	Faist

US D600,777 S

Page 4

5,032,015 A	7/1991	Christianson	5,276,596 A	1/1994	Krenzel
5,033,528 A	7/1991	Volcani	5,277,391 A	1/1994	Haug et al.
5,033,897 A	7/1991	Chen	5,286,071 A	2/1994	Storage
D319,294 S	8/1991	Kohler, Jr. et al.	5,288,110 A	2/1994	Allread
D320,064 S	9/1991	Presman	5,294,054 A	3/1994	Benedict et al.
5,046,764 A	9/1991	Kimura et al.	5,297,735 A	3/1994	Heimann et al.
D321,062 S	10/1991	Bonbright	5,297,739 A	3/1994	Allen
5,058,804 A	10/1991	Yonekubo et al.	D345,811 S	4/1994	Van Deursen et al.
D322,119 S	12/1991	Haug et al.	D346,426 S	4/1994	Warshawsky
D322,681 S	12/1991	Yuen	D346,428 S	4/1994	Warshawsky
5,070,552 A	12/1991	Gentry et al.	D346,430 S	4/1994	Warshawsky
D323,545 S	1/1992	Ward	D347,262 S	5/1994	Black et al.
5,082,019 A	1/1992	Tetrault	D347,265 S	5/1994	Gottwald
5,086,878 A	2/1992	Swift	5,316,216 A	5/1994	Cammack et al.
5,090,624 A	2/1992	Rogers	D348,720 S	7/1994	Haug et al.
5,100,055 A	3/1992	Rokitenetz et al.	5,329,650 A	7/1994	Zaccai et al.
D325,769 S	4/1992	Haug et al.	D349,947 S	8/1994	Hing-Wah
D325,770 S	4/1992	Haug et al.	5,333,787 A	8/1994	Smith et al.
5,103,384 A	4/1992	Drohan	5,333,789 A	8/1994	Garneys
D326,311 S	5/1992	Lenci et al.	5,340,064 A	8/1994	Heimann et al.
D327,115 S	6/1992	Rogers	5,340,165 A	8/1994	Sheppard
5,121,511 A	6/1992	Sakamoto et al.	D350,808 S	9/1994	Warshawsky
D327,729 S	7/1992	Rogers	5,344,080 A	9/1994	Matsui
5,127,580 A	7/1992	Fu-I	5,349,987 A	9/1994	Shieh
5,134,251 A	7/1992	Martin	5,356,076 A	10/1994	Bishop
D328,944 S	8/1992	Robbins	5,356,077 A	10/1994	Shames
5,141,016 A	8/1992	Nowicki	D352,092 S	11/1994	Warshawsky
D329,504 S	9/1992	Yuen	D352,347 S	11/1994	Dannenberg
5,143,300 A	9/1992	Cutler	D352,766 S	11/1994	Hill et al.
5,145,114 A	9/1992	Monch	5,368,235 A	11/1994	Drozdoeff et al.
D330,068 S	10/1992	Haug et al.	5,369,556 A	11/1994	Zeller
D330,408 S	10/1992	Thacker	5,370,427 A	12/1994	Hoelle et al.
D330,409 S	10/1992	Raffo	5,385,500 A	1/1995	Schmidt
5,153,976 A	10/1992	Benchaar et al.	D355,242 S	2/1995	Warshawsky
5,154,355 A	10/1992	Gonzalez	D355,703 S	2/1995	Duell
5,154,483 A	10/1992	Zeller	5,397,064 A	3/1995	Heitzman
5,161,567 A	11/1992	Humpert	5,398,872 A	3/1995	Joubran
5,163,752 A	11/1992	Copeland et al.	5,398,977 A	3/1995	Berger et al.
5,171,429 A	12/1992	Yasuo	5,402,812 A	4/1995	Moineau et al.
5,172,860 A	12/1992	Yuch	5,405,089 A	4/1995	Heimann et al.
5,172,862 A	12/1992	Heimann et al.	5,414,879 A	5/1995	Hiraishi et al.
5,172,866 A	12/1992	Ward	5,423,348 A	6/1995	Jezek et al.
D332,303 S	1/1993	Klose	5,433,384 A	7/1995	Chan et al.
D332,994 S	2/1993	Huen	D361,399 S	8/1995	Carbone et al.
D333,339 S	2/1993	Klose	D361,623 S	8/1995	Huen
5,197,767 A	3/1993	Kimura et al.	5,441,075 A	8/1995	Clare
D334,794 S	4/1993	Klose	5,449,206 A	9/1995	Lockwood
D335,171 S	4/1993	Lenci et al.	D363,360 S	10/1995	Santarsiero
5,201,468 A	4/1993	Freier et al.	5,454,809 A	10/1995	Janssen
5,206,963 A	5/1993	Wiens	5,468,057 A	11/1995	Megerle et al.
5,207,499 A	5/1993	Vajda et al.	D364,935 S	12/1995	deBlois
5,213,267 A	5/1993	Heimann et al.	D365,625 S	12/1995	Bova
5,220,697 A	6/1993	Birchfield	D365,646 S	12/1995	deBlois
D337,839 S	7/1993	Zeller	5,476,225 A	12/1995	Chan
5,228,625 A	7/1993	Grassberger	D366,309 S	1/1996	Huang
5,230,106 A	7/1993	Henkin et al.	D366,707 S	1/1996	Kaiser
D338,542 S	8/1993	Yuen	D366,708 S	1/1996	Santarsiero
5,232,162 A	8/1993	Chih	D366,709 S	1/1996	Szymanski
D339,492 S	9/1993	Klose	D366,710 S	1/1996	Szymanski
D339,627 S	9/1993	Klose	5,481,765 A	1/1996	Wang
D339,848 S	9/1993	Gottwald	D366,948 S	2/1996	Carbone
5,246,169 A	9/1993	Heimann et al.	D367,315 S	2/1996	Andrus
5,246,301 A	9/1993	Hirasawa	D367,333 S	2/1996	Swyst
D340,376 S	10/1993	Klose	D367,696 S	3/1996	Andrus
5,253,670 A	10/1993	Perrott	D367,934 S	3/1996	Carbone
5,253,807 A	10/1993	Newbegin	D368,146 S	3/1996	Carbone
5,254,809 A	10/1993	Martin	D368,317 S	3/1996	Swyst
D341,007 S	11/1993	Haug et al.	5,499,767 A	3/1996	Morand
D341,191 S	11/1993	Klose	D368,539 S	4/1996	Carbone et al.
D341,220 S	11/1993	Eagan	D368,540 S	4/1996	Santarsiero
5,263,646 A	11/1993	McCauley	D368,541 S	4/1996	Kaiser et al.
5,265,833 A	11/1993	Heimann et al.	D368,542 S	4/1996	deBlois et al.
5,268,826 A	12/1993	Greene	D369,204 S	4/1996	Andrus

US D600,777 S

Page 5

D369,205 S	4/1996	Andrus	D385,333 S	10/1997	Caroen et al.
5,507,436 A	4/1996	Ruttenberg	D385,334 S	10/1997	Caroen et al.
D369,873 S	5/1996	deBlois et al.	D385,616 S	10/1997	Dow et al.
D369,874 S	5/1996	Santarsiero	D385,947 S	11/1997	Dow et al.
D369,875 S	5/1996	Carbone	D387,230 S	12/1997	von Buelow et al.
D370,052 S	5/1996	Chan et al.	5,699,964 A	12/1997	Bergmann et al.
D370,250 S	5/1996	Fawcett et al.	5,702,057 A	12/1997	Huber
D370,277 S	5/1996	Kaiser	D389,558 S	1/1998	Andrus
D370,278 S	5/1996	Nolan	5,704,080 A	1/1998	Kuhne
D370,279 S	5/1996	deBlois	5,718,380 A	2/1998	Schorn et al.
D370,280 S	5/1996	Kaiser	D392,369 S	3/1998	Chan
D370,281 S	5/1996	Johnstone et al.	5,730,361 A	3/1998	Thonnes
5,517,392 A	5/1996	Rouso et al.	5,730,362 A	3/1998	Cordes
5,521,803 A	5/1996	Eckert et al.	5,730,363 A	3/1998	Kress
D370,542 S	6/1996	Santarsiero	5,742,961 A	4/1998	Casperson et al.
D370,735 S	6/1996	deBlois	D394,490 S	5/1998	Andrus et al.
D370,987 S	6/1996	Santarsiero	5,746,375 A	5/1998	Guo
D370,988 S	6/1996	Santarsiero	5,749,552 A	5/1998	Fan
D371,448 S	7/1996	Santarsiero	5,749,602 A	5/1998	Delaney et al.
D371,618 S	7/1996	Nolan	D394,899 S	6/1998	Caroen et al.
D371,619 S	7/1996	Szymanski	D395,074 S	6/1998	Neibrook
D371,856 S	7/1996	Carbone	D395,075 S	6/1998	Neibrook et al.
D372,318 S	7/1996	Szymanski	D395,142 S	6/1998	Neibrook
D372,319 S	7/1996	Carbone	5,765,760 A	6/1998	Kuo
5,531,625 A	7/1996	Zhong	5,769,802 A	6/1998	Wang
5,539,624 A	7/1996	Dougherty	5,772,120 A	6/1998	Huber
D372,548 S	8/1996	Carbone	5,778,939 A	7/1998	Hok-Yin
D372,998 S	8/1996	Carbone	5,788,157 A	8/1998	Kress
D373,210 S	8/1996	Santarsiero	D398,370 S	9/1998	Purdy
D373,434 S	9/1996	Nolan	5,806,771 A	9/1998	Loschelder et al.
D373,435 S	9/1996	Nolan	5,819,791 A	10/1998	Chronister et al.
D373,645 S	9/1996	Johnstone et al.	5,820,574 A	10/1998	Henkin et al.
D373,646 S	9/1996	Szymanski et al.	5,823,431 A	10/1998	Pierce
D373,647 S	9/1996	Kaiser	5,823,442 A	10/1998	Guo
D373,648 S	9/1996	Kaiser	5,833,138 A	11/1998	Crane et al.
D373,649 S	9/1996	Carbone	5,839,666 A	11/1998	Heimann et al.
D373,651 S	9/1996	Szymanski	D402,350 S	12/1998	Andrus
D373,652 S	9/1996	Kaiser	D403,754 S	1/1999	Gottwald
5,551,637 A	9/1996	Lo	D404,116 S	1/1999	Bosio
5,552,973 A	9/1996	Hsu	5,855,348 A	1/1999	Fornara
5,558,278 A	9/1996	Gallorini	5,860,599 A	1/1999	Lin
D374,271 S	10/1996	Fleischmann	5,862,543 A	1/1999	Reynoso et al.
D374,297 S	10/1996	Kaiser	5,862,985 A	1/1999	Neibrook et al.
D374,298 S	10/1996	Swyst	D405,502 S	2/1999	Tse
D374,299 S	10/1996	Carbone	5,865,375 A	2/1999	Hsu
D374,493 S	10/1996	Szymanski	5,865,378 A	2/1999	Hollinshead et al.
D374,494 S	10/1996	Santarsiero	5,873,647 A	2/1999	Kurtz et al.
D374,732 S	10/1996	Kaiser	D408,893 S	4/1999	Tse
D374,733 S	10/1996	Santarsiero	D409,276 S	5/1999	Ratzlaff
5,560,548 A	10/1996	Mueller et al.	D410,276 S	5/1999	Ben-Tsur
5,567,115 A	10/1996	Carbone	5,918,809 A	7/1999	Simmons
D375,541 S	11/1996	Michaluk	5,918,811 A	7/1999	Denham et al.
5,577,664 A	11/1996	Heitzman	D413,157 S	8/1999	Ratzlaff
D376,217 S	12/1996	Kaiser	5,937,905 A	8/1999	Santos
D376,860 S	12/1996	Santarsiero	5,938,123 A	8/1999	Heitzman
D376,861 S	12/1996	Johnstone et al.	5,947,388 A	9/1999	Woodruff
D376,862 S	12/1996	Carbone	D415,247 S	10/1999	Haverstraw et al.
5,605,173 A	2/1997	Arnaud	5,961,046 A	10/1999	Joubran
D378,401 S	3/1997	Neufeld et al.	5,979,776 A	11/1999	Williams
5,613,638 A	3/1997	Blessing	5,992,762 A	11/1999	Wang
5,613,639 A	3/1997	Storm et al.	D418,200 S	12/1999	Ben-Tsur
5,615,837 A	4/1997	Roman	5,997,047 A	12/1999	Pimentel et al.
5,624,074 A	4/1997	Parisi	6,003,165 A	12/1999	Loyd
5,624,498 A	4/1997	Lee et al.	D418,902 S	1/2000	Haverstraw et al.
D379,212 S	5/1997	Chan	D418,903 S	1/2000	Haverstraw et al.
D379,404 S	5/1997	Spelts	D418,904 S	1/2000	Milrud
5,632,049 A	5/1997	Chen	D421,099 S	2/2000	Mullenmeister
D381,405 S	7/1997	Waidele et al.	6,021,960 A	2/2000	Kehat
D381,737 S	7/1997	Chan	D422,053 S	3/2000	Brenner et al.
D382,936 S	8/1997	Shfaram	6,042,027 A	3/2000	Sandvik
5,653,260 A	8/1997	Huber	6,042,155 A	3/2000	Lockwood
5,667,146 A	9/1997	Pimentel et al.	D422,336 S	4/2000	Haverstraw et al.
D385,332 S	10/1997	Andrus	D422,337 S	4/2000	Chan

US D600,777 S

Page 6

D423,083 S	4/2000	Haug et al.	6,349,735 B2	2/2002	Gul
D423,110 S	4/2000	Cipkowski	D454,617 S	3/2002	Curbbun et al.
D424,160 S	5/2000	Haug et al.	D454,938 S	3/2002	Lord
D424,161 S	5/2000	Haug et al.	6,375,342 B1	4/2002	Koren et al.
D424,162 S	5/2000	Haug et al.	D457,937 S	5/2002	Lindholm et al.
D424,163 S	5/2000	Haug et al.	6,382,531 B1	5/2002	Tracy
D426,290 S	6/2000	Haug et al.	D458,348 S	6/2002	Mullenmeister
D427,661 S	7/2000	Haverstraw et al.	6,412,711 B1	7/2002	Fan
D428,110 S	7/2000	Haug et al.	D461,224 S	8/2002	Lobermeier
D428,125 S	7/2000	Chan	D461,878 S	8/2002	Green et al.
6,085,780 A	7/2000	Morris	6,450,425 B1	9/2002	Chen
D430,267 S	8/2000	Milrud et al.	6,454,186 B2	9/2002	Haverstraw et al.
6,095,801 A	8/2000	Spiewak	6,464,265 B1	10/2002	Mikol
D430,643 S	9/2000	Tse	D465,552 S	11/2002	Tse
6,113,002 A	9/2000	Finkbeiner	D465,553 S	11/2002	Singtoroj
6,123,272 A	9/2000	Havican et al.	6,484,952 B2	11/2002	Koren
6,123,308 A	9/2000	Faisst	D468,800 S	1/2003	Tse
D432,624 S	10/2000	Chan	D469,165 S	1/2003	Lim
D432,625 S	10/2000	Chan	6,502,796 B1	1/2003	Wales
D433,096 S	10/2000	Tse	D470,219 S	2/2003	Schweitzer
D433,097 S	10/2000	Tse	6,515,070 B2	2/2003	Macey
6,126,091 A	10/2000	Heitzman	D471,253 S	3/2003	Tse
6,126,290 A	10/2000	Veigel	D471,953 S	3/2003	Colligan et al.
D434,109 S	11/2000	Ko	6,533,194 B2	3/2003	Marsh et al.
6,164,569 A	12/2000	Hollinshead et al.	D472,958 S	4/2003	Ouyoung
6,164,570 A	12/2000	Smeltzer	6,550,697 B2	4/2003	Lai
D435,889 S	1/2001	Ben-Tsur et al.	6,595,439 B1	7/2003	Chen
D439,305 S	3/2001	Slothower	6,607,148 B1	8/2003	Marsh et al.
6,199,580 B1	3/2001	Morris	6,611,971 B1	9/2003	Antoniello et al.
6,202,679 B1	3/2001	Titus	6,637,676 B2	10/2003	Zieger et al.
D440,276 S	4/2001	Slothower	6,641,057 B2	11/2003	Thomas et al.
D440,277 S	4/2001	Slothower	D483,837 S	12/2003	Fan
D440,278 S	4/2001	Slothower	6,659,117 B2	12/2003	Gilmore
D441,059 S	4/2001	Fleischmann	6,659,372 B2	12/2003	Marsh et al.
6,209,799 B1	4/2001	Finkbeiner	D485,887 S	1/2004	Luetzgen et al.
D443,025 S	5/2001	Kollmann et al.	D486,888 S	2/2004	Lobermeier
D443,026 S	5/2001	Kollmann et al.	6,691,338 B2	2/2004	Zieger
D443,027 S	5/2001	Kollmann et al.	D487,301 S	3/2004	Haug et al.
D443,029 S	5/2001	Kollmann et al.	D487,498 S	3/2004	Blomstrom
6,223,998 B1	5/2001	Heitzman	6,701,953 B2	3/2004	Agosta
6,230,984 B1	5/2001	Jager	D489,798 S	5/2004	Hunt
6,230,988 B1	5/2001	Chao et al.	D490,498 S	5/2004	Golichowski
6,230,989 B1	5/2001	Haverstraw et al.	6,736,336 B2	5/2004	Wong
D443,335 S	6/2001	Andrus	6,739,523 B2	5/2004	Haverstraw et al.
D443,336 S	6/2001	Kollmann et al.	6,739,527 B1	5/2004	Chung
D443,347 S	6/2001	Gottwald	D492,004 S	6/2004	Haug et al.
6,250,572 B1	6/2001	Chen	D492,007 S	6/2004	Kollmann et al.
D444,865 S	7/2001	Gottwald	6,742,725 B1	6/2004	Fan
D445,871 S	7/2001	Fan	D493,208 S	7/2004	Lin
6,254,014 B1	7/2001	Clearman et al.	D493,864 S	8/2004	Haug et al.
6,270,278 B1	8/2001	Mauro	D494,655 S	8/2004	Lin
6,276,004 B1	8/2001	Bertrand et al.	D494,661 S	8/2004	Zieger et al.
6,283,447 B1	9/2001	Fleet	D495,027 S	8/2004	Mazzola
6,286,764 B1	9/2001	Garvey et al.	6,776,357 B1	8/2004	Naito
D449,673 S	10/2001	Kollmann et al.	6,789,751 B1	9/2004	Fan
D450,370 S	11/2001	Wales et al.	D496,987 S	10/2004	Glunk
D450,805 S	11/2001	Lindholm et al.	D497,974 S	11/2004	Haug et al.
D450,806 S	11/2001	Lindholm et al.	D498,514 S	11/2004	Haug et al.
D450,807 S	11/2001	Lindholm et al.	D500,121 S	12/2004	Blomstrom
D451,169 S	11/2001	Lindholm et al.	D500,549 S	1/2005	Blomstrom
D451,170 S	11/2001	Lindholm et al.	D501,242 S	1/2005	Blomstrom
D451,171 S	11/2001	Lindholm et al.	D502,760 S	3/2005	Zieger et al.
D451,172 S	11/2001	Lindholm et al.	D502,761 S	3/2005	Zieger et al.
6,321,777 B1	11/2001	Wu	D503,211 S	3/2005	Lin
6,322,006 B1	11/2001	Guo	D503,774 S	4/2005	Zieger
D451,583 S	12/2001	Lindholm et al.	D503,775 S	4/2005	Zieger
D451,980 S	12/2001	Lindholm et al.	D503,966 S	4/2005	Zieger
D452,553 S	12/2001	Lindholm et al.	6,899,292 B2	5/2005	Titinet
D452,725 S	1/2002	Lindholm et al.	D506,243 S	6/2005	Wu
D452,897 S	1/2002	Gillette et al.	D507,037 S	7/2005	Wu
D453,369 S	2/2002	Lobermeier	6,935,581 B2	8/2005	Titinet
D453,370 S	2/2002	Lindholm et al.	D509,280 S	9/2005	Bailey et al.
D453,551 S	2/2002	Lindholm et al.	D509,563 S	9/2005	Bailey et al.

WO	WO93/12894	7/1993
WO	WO93/25839	12/1993
WO	WO96/00617	1/1996
WO	WO98/30336	7/1998
WO	WO00/10720	3/2000

OTHER PUBLICATIONS

Color Copy, Labeled 1B, Gemlo, available at least as early as Dec. 2, 1998.

Notice of Allowance, U.S. Appl. No. 29/325,301, 9 pages, Apr. 1, 2009.

Notice of Allowance, U.S. Appl. No. 29/325,300, 7 pages, Feb. 26, 2009.

Notice of Allowance, U.S. Appl. No. 29/298,749, 5 pages, Mar. 17, 2008.

Notice of Allowance, U.S. Appl. No. 29/298,749, 23 pages, Apr. 29, 2008.

Restriction Requirement, U.S. Appl. No. 29/250,734, 5 pages, Sep. 18, 2007.

Amendment and Response to Restriction Requirement, U.S. Appl. No. 29/250,734, 8 pages, Nov. 19, 2007.

Notice of Allowance, U.S. Appl. No. 29/250,734, 21 pages, Dec. 27, 2007.

Notice of Allowance, U.S. Appl. No. 29/250,734, 8 pages, Apr. 18, 2008.

Restriction Requirement, U.S. Appl. No. 29/250,735, 5 pages, Sep. 12, 2007.

Amendment and Response to Restriction Requirement, U.S. Appl. No. 29/250,735, 16 pages, Dec. 12, 2007.

Notice of Allowance, U.S. Appl. No. 29/250,735, 22 pages, Dec. 28, 2007.

Notice of Allowance, U.S. Appl. No. 29/250,735, 8 pages, Apr. 18, 2008.

* cited by examiner

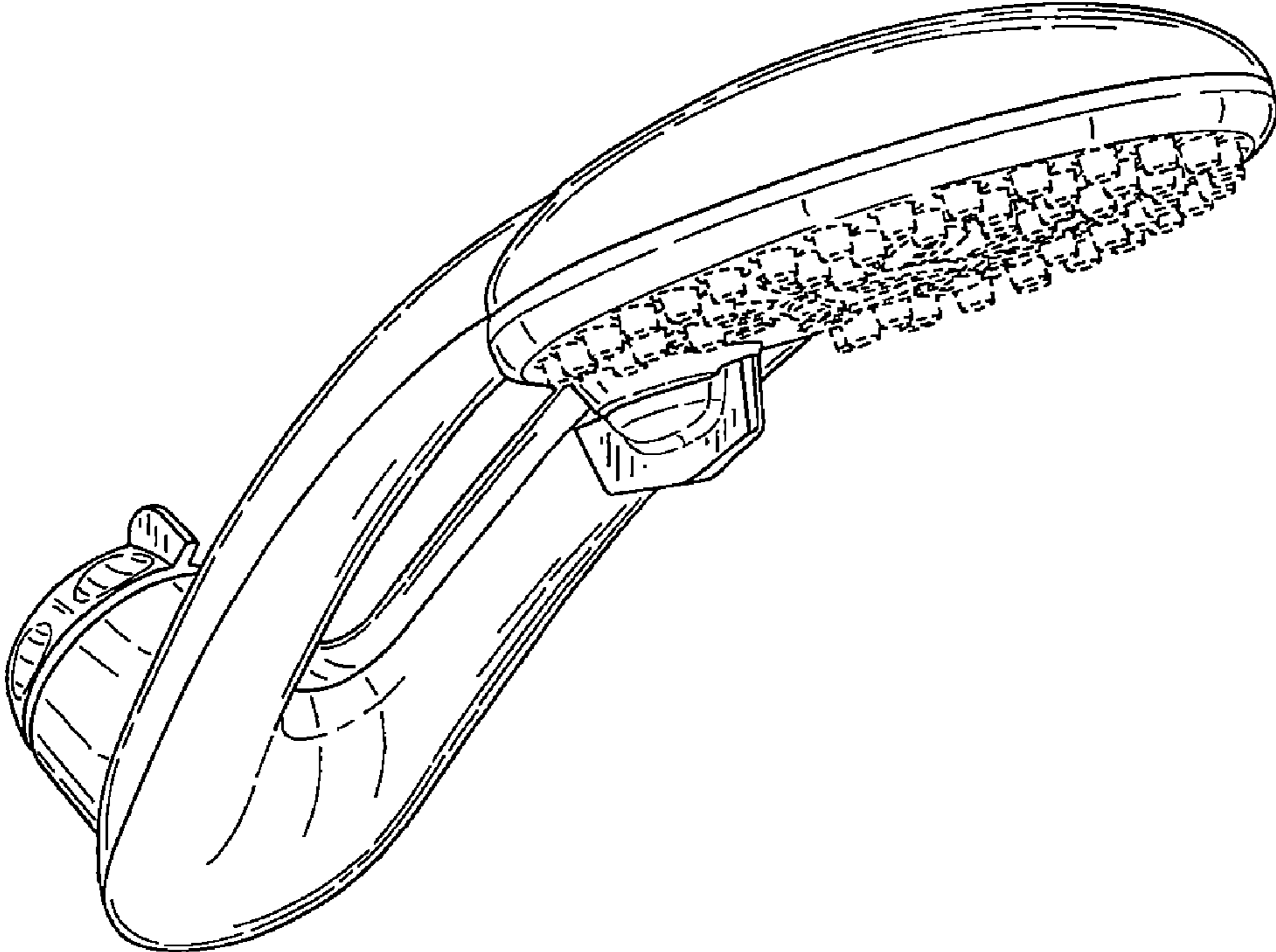


FIG.1

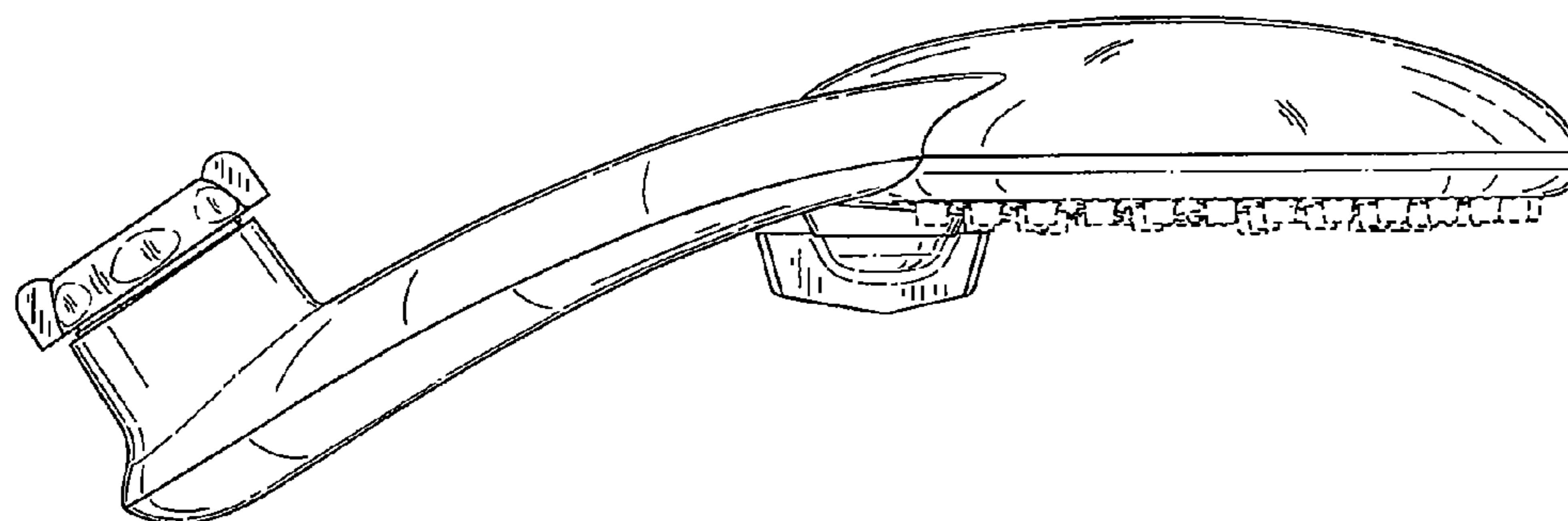


FIG. 2

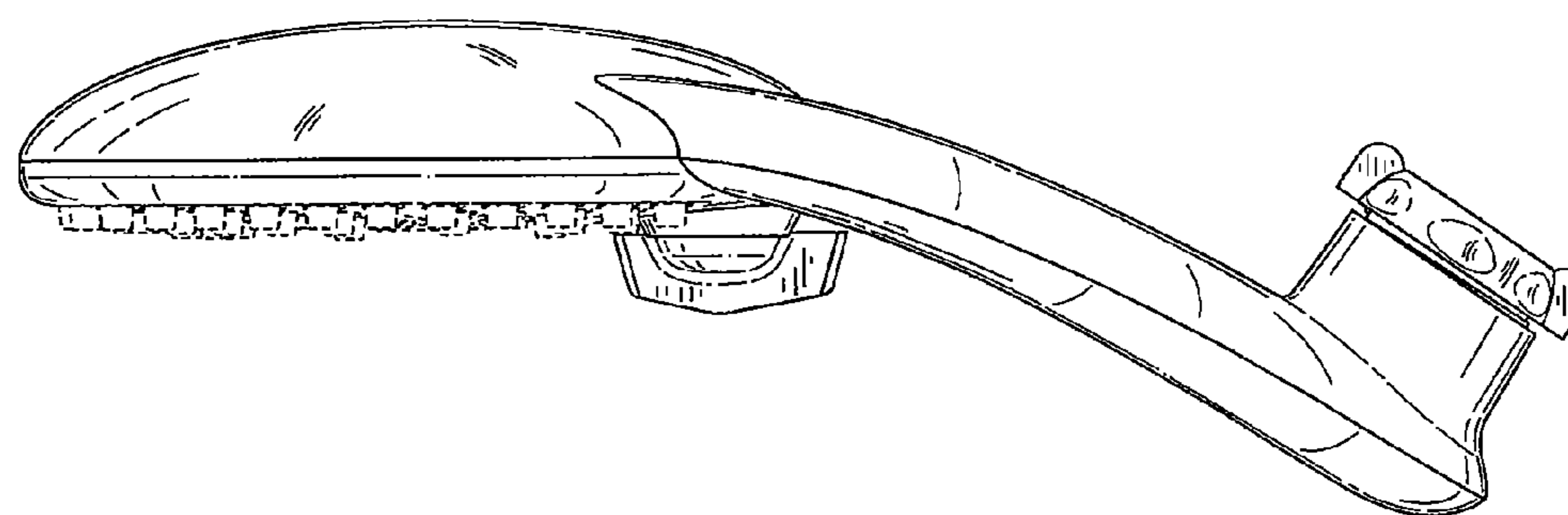


FIG. 3

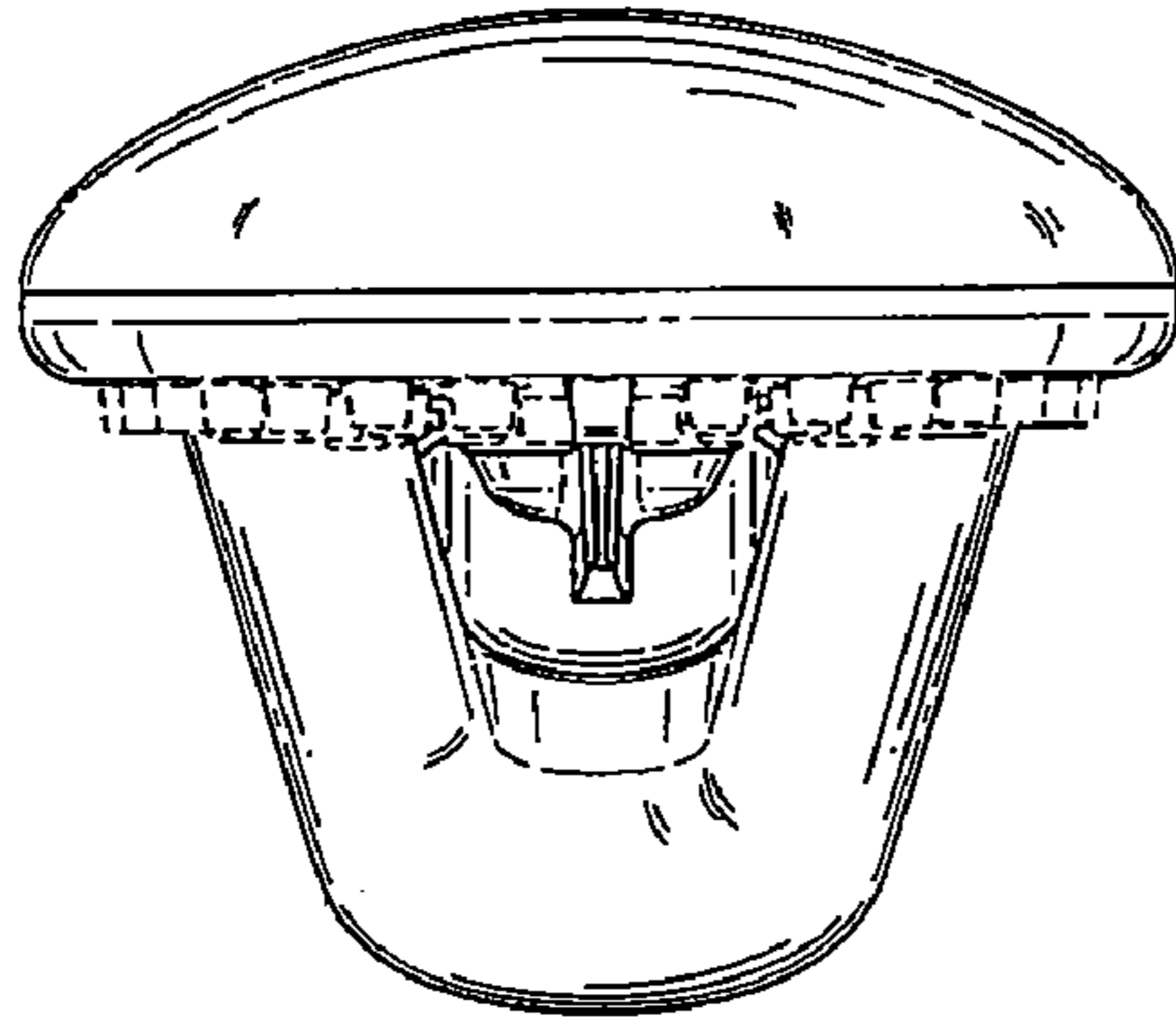


FIG.4

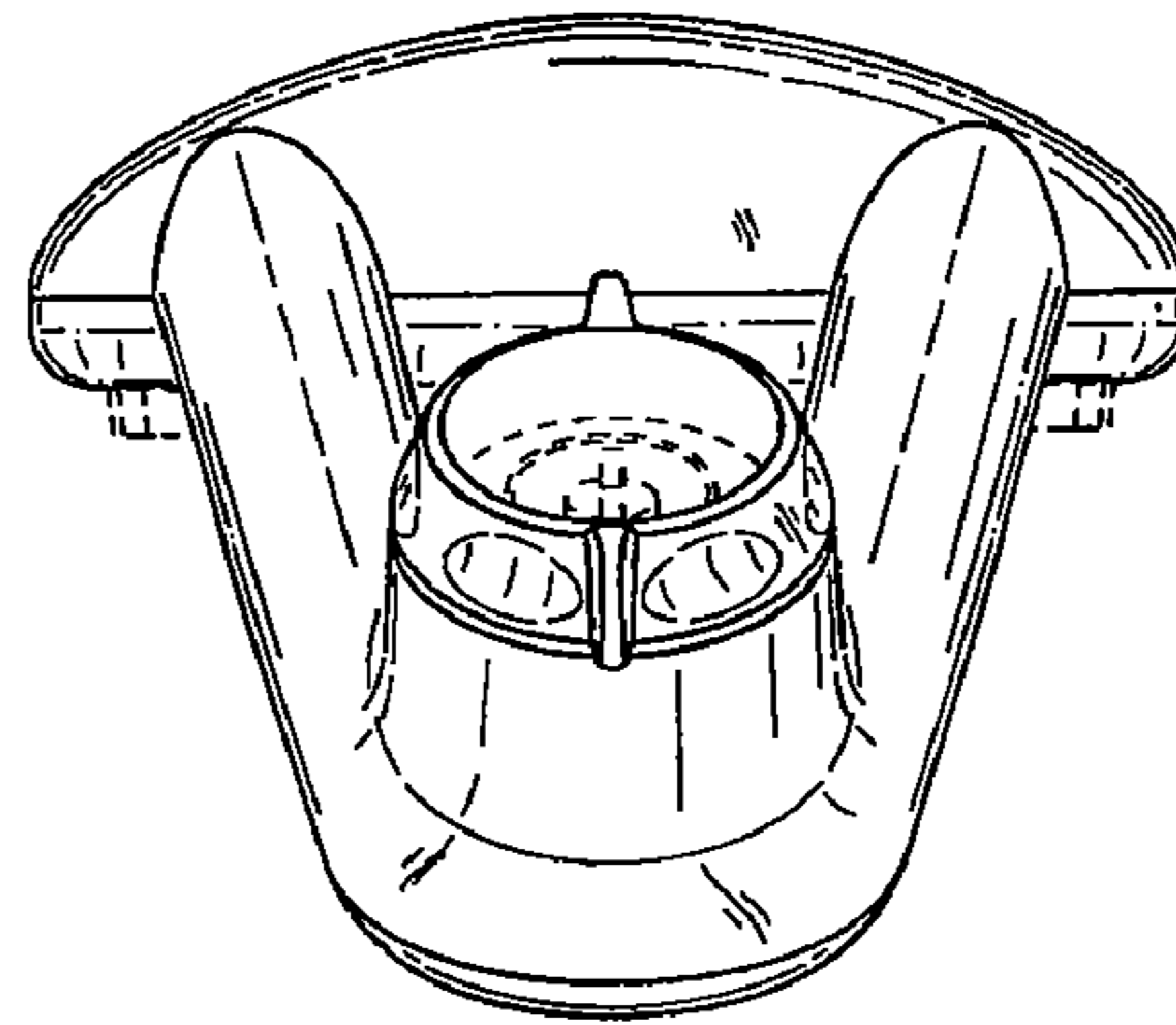


FIG.5

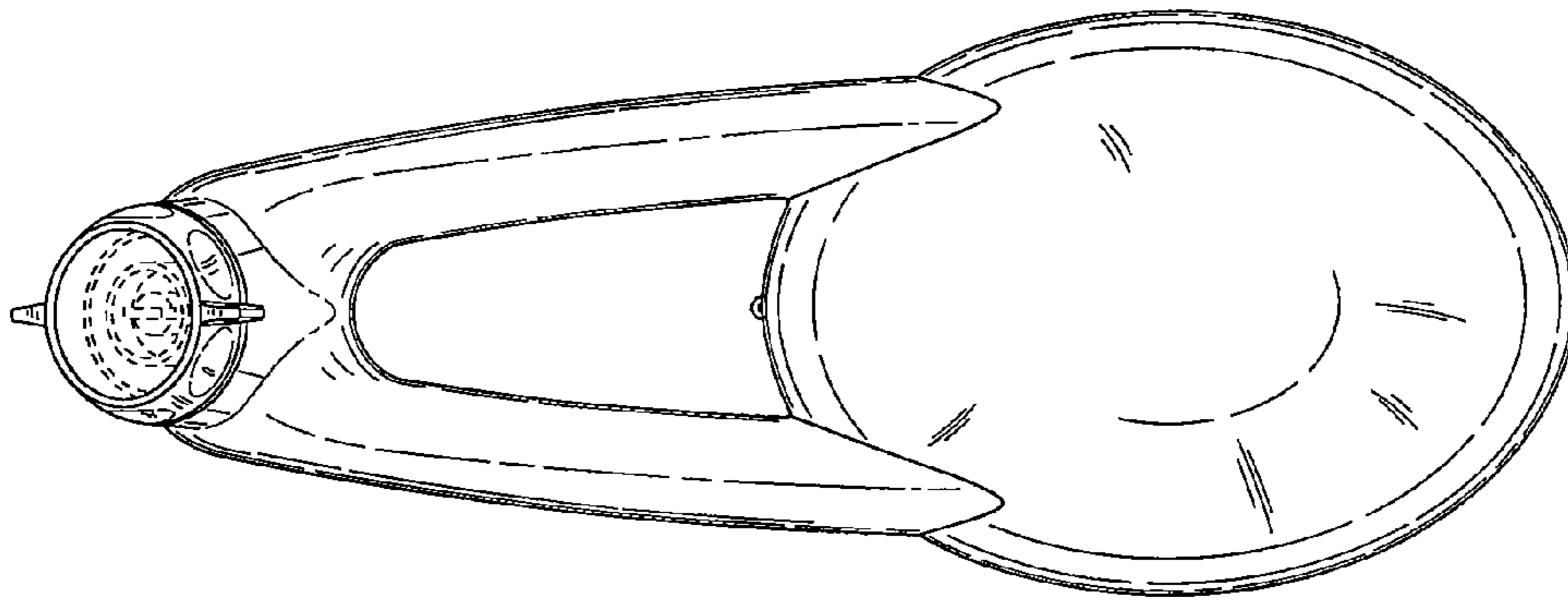


FIG. 6

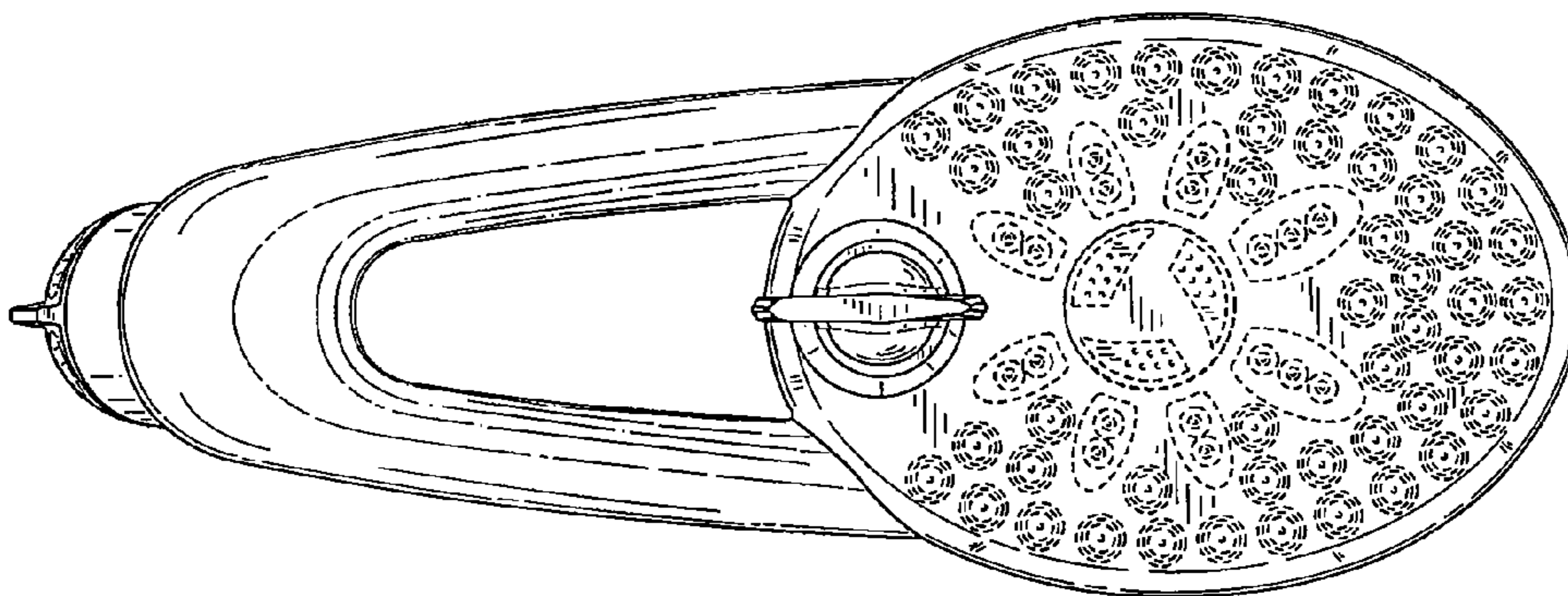


FIG. 7

UNITED STATES PATENT AND TRADEMARK OFFICE
Certificate

Patent No. D600,777 S

Patented: September 22, 2009

On petition requesting issuance of a certificate for correction of inventorship pursuant to 35 U.S.C. 256, it has been found that the above identified patent, through error and without any deceptive intent, improperly sets forth the inventorship.

Accordingly, it is hereby certified that the correct inventorship of this patent is: Carl T. Whitaker, Berthoud, CO (US); Leland C. Leber, Fort Collins, CO (US); and Harold A. Luetgenhas, Windsor, CO (US)

Signed and Sealed this Nineteenth Day of March 2013.

CATHRON C. BROOKS
Supervisory Patent Examiner
Art Unit 2911
Technology Center 2900