



US00D600775S

(12) **United States Design Patent**  
**Schmitt et al.**

(10) **Patent No.:** **US D600,775 S**

(45) **Date of Patent:** **\*\* Sep. 22, 2009**

(54) **HIGH FLOW FILTER ASSEMBLY**

(75) Inventors: **Michael J Schmitt**, Pittsburg, PA (US);  
**Alan R Bost**, West Mifflin, PA (US);  
**Steven Evanovich**, Pittsburg, PA (US)

(73) Assignee: **Schroeder Industries, LLC**, Leetsdale, PA (US)

(\*\*) Term: **14 Years**

(21) Appl. No.: **29/304,016**

(22) Filed: **Feb. 22, 2008**

(51) **LOC (9) Cl.** ..... **23-01**

(52) **U.S. Cl.** ..... **D23/209**

(58) **Field of Classification Search** ..... D23/207,  
D23/209; 210/446, 450, 497.01  
See application file for complete search history.

(56) **References Cited**

**U.S. PATENT DOCUMENTS**

D331,447 S \* 12/1992 Boehme et al. .... D23/209

D416,307 S \* 11/1999 Williams ..... D23/209

\* cited by examiner

*Primary Examiner*—Robin V Webster

(74) *Attorney, Agent, or Firm*—Blynn L. Shideler; Krisanne Shideler; BLK Law Group

(57) **CLAIM**

The ornamental design for a high flow filter assembly, as shown and described.

**DESCRIPTION**

FIG. 1 is a front left end perspective view of an ornamental high flow filter assembly according to the present invention;

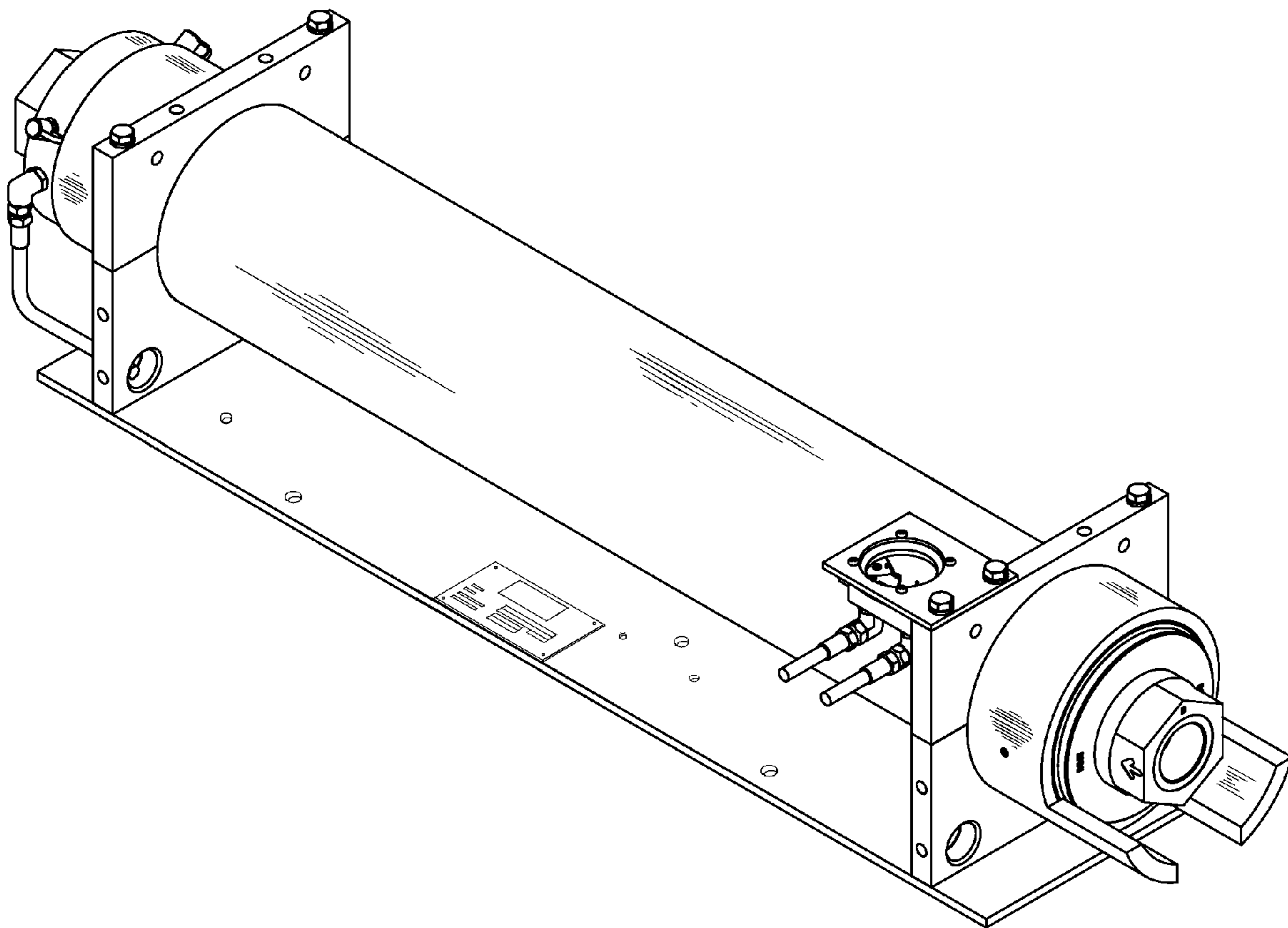
FIG. 2 is a front, right end perspective view of the high flow filter assembly of FIG. 1;

FIG. 3 is a front elevation view of the high flow filter assembly of FIG. 1;

FIG. 4 is a top plan view of the high flow filter assembly of FIG. 1; and,

FIG. 5 is a left end elevation view of the high flow filter assembly of FIG. 1.

**1 Claim, 5 Drawing Sheets**



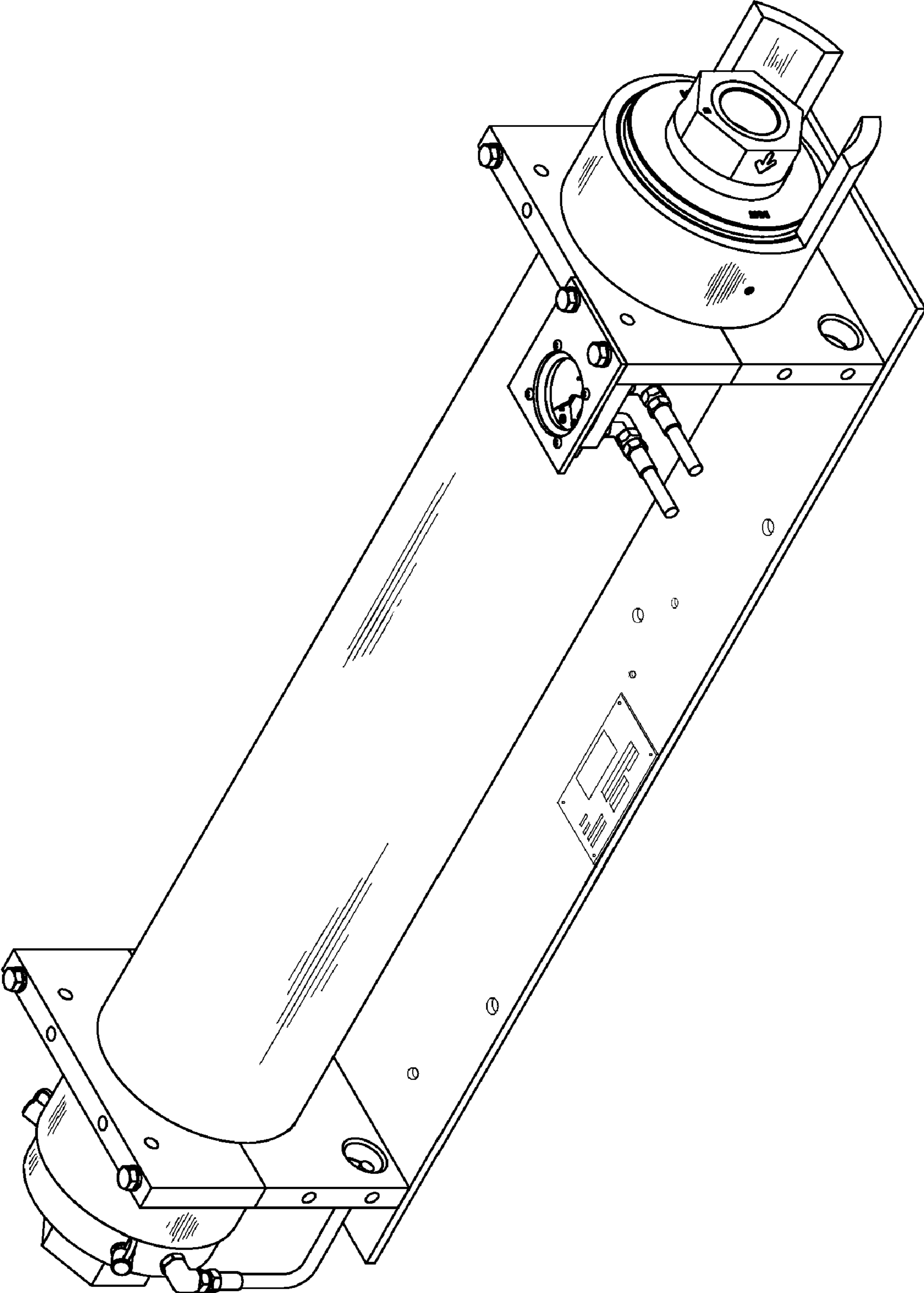


FIGURE 1

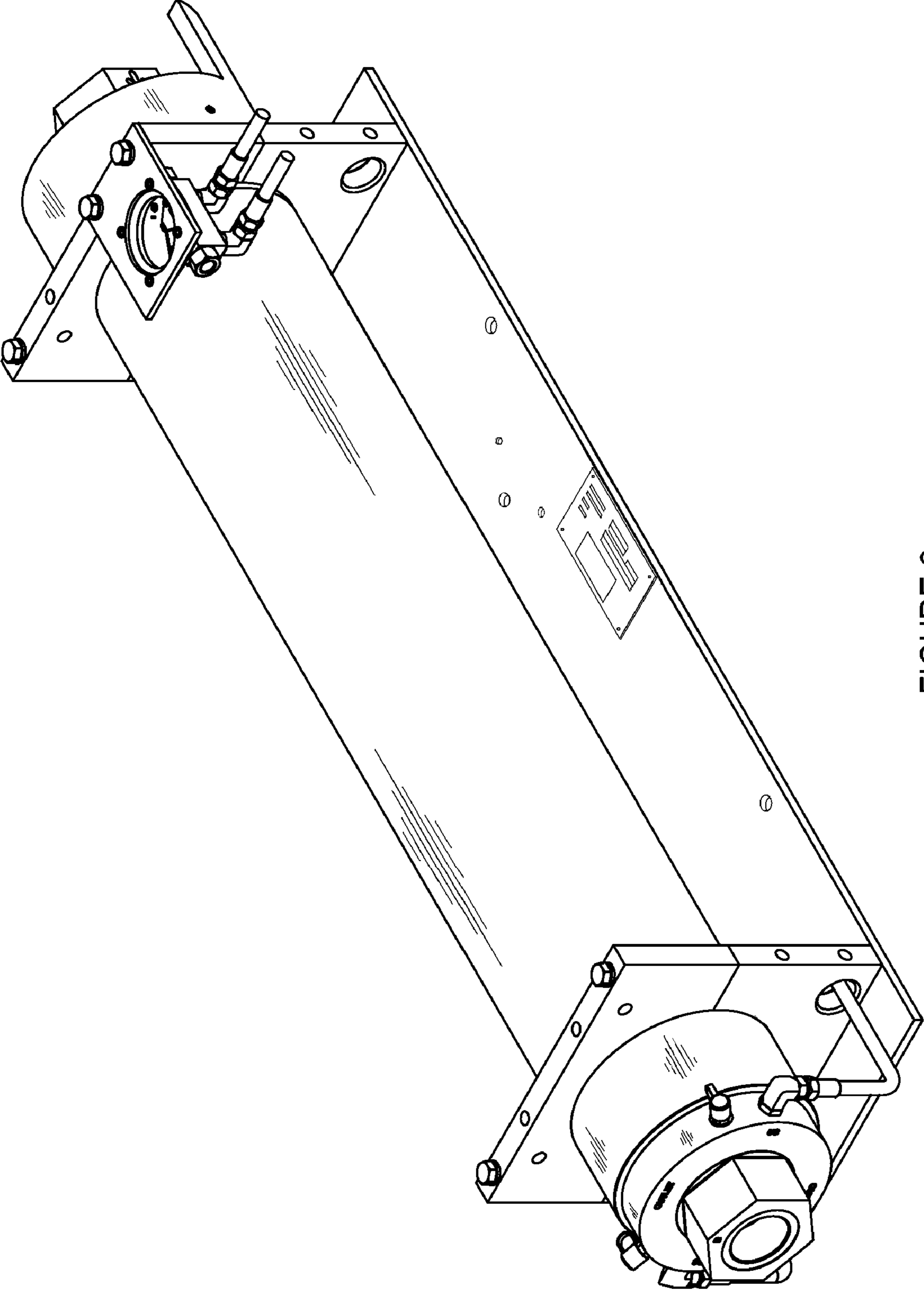


FIGURE 2

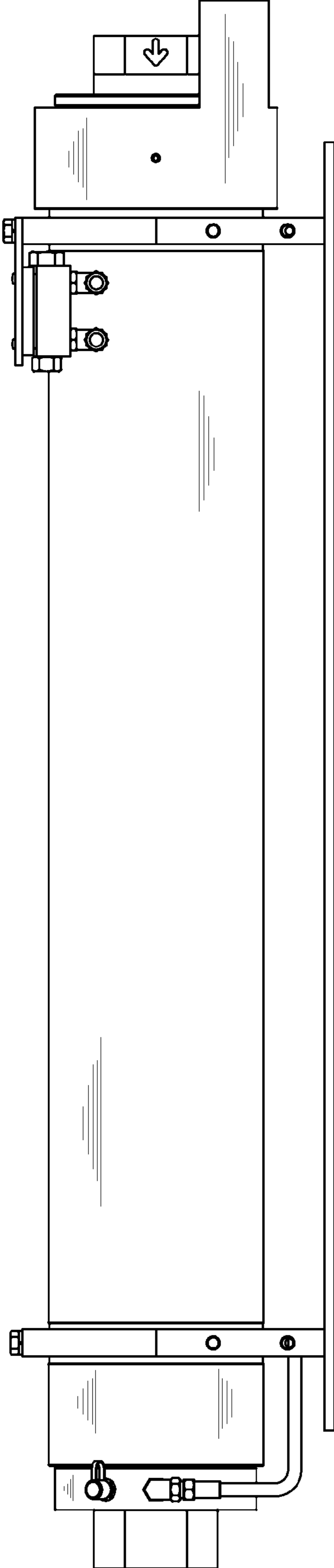


FIGURE 3

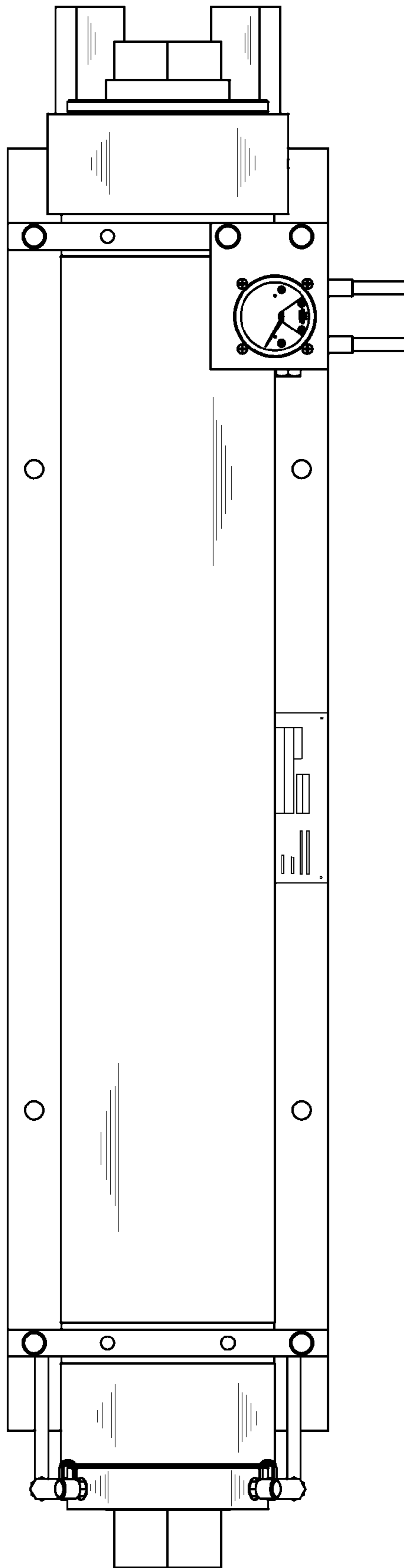


FIGURE 4

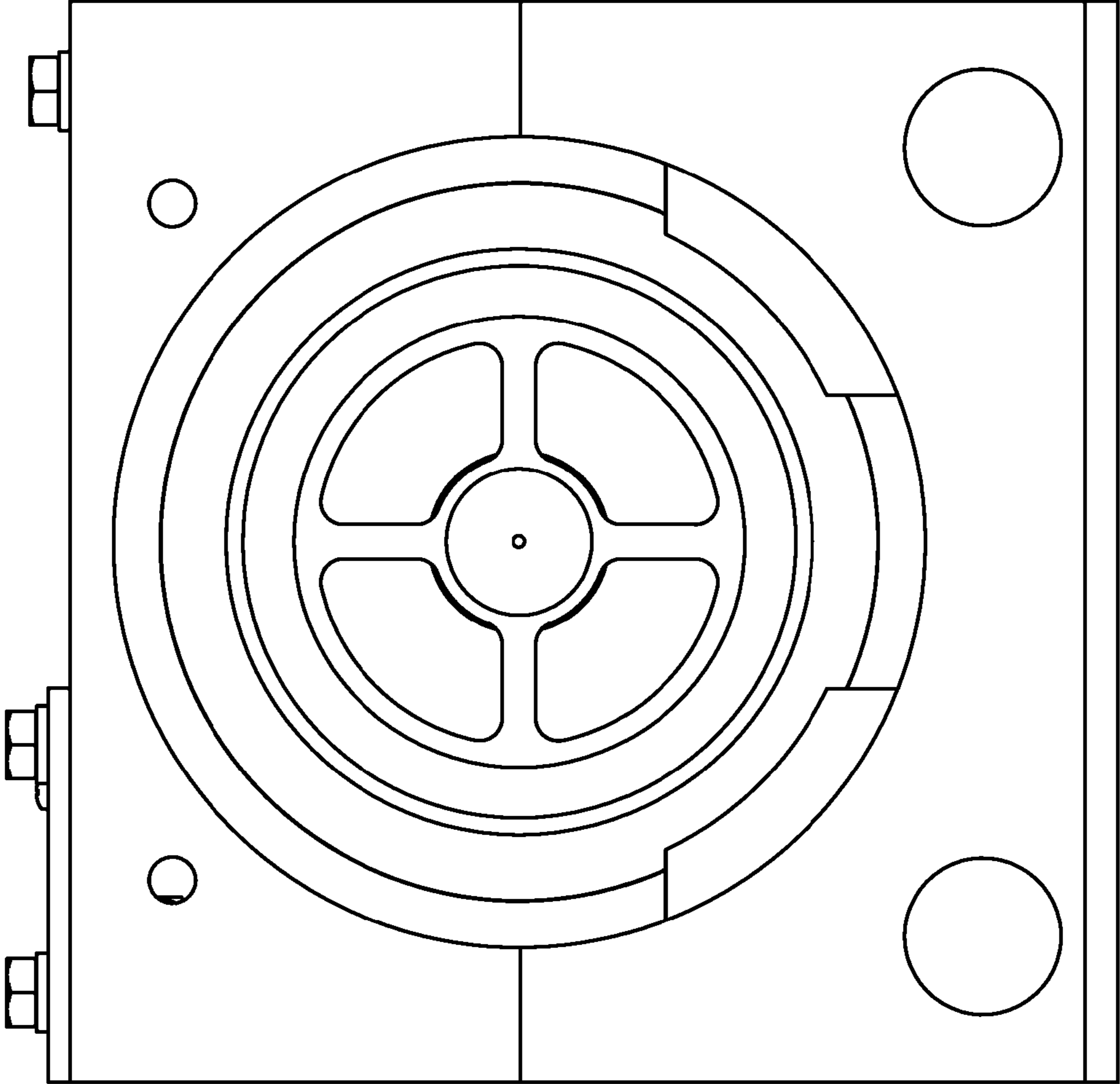


FIGURE 5