



US00D600773S

(12) **United States Design Patent**
Hall

(10) **Patent No.:** **US D600,773 S**

(45) **Date of Patent:** **** Sep. 22, 2009**

(54) **FISHING ROD FLOTATION HANDLE**

5,862,622 A * 1/1999 Sandman 43/25
D453,292 S * 2/2002 Tsuzuki D8/300
D472,297 S * 3/2003 Hashimoto D22/142

(76) Inventor: **Stephen M. Hall**, 177 Vine Creek Point,
Acworth, GA (US) 30101

(**) Term: **14 Years**

* cited by examiner

Primary Examiner—Catherine R Oliver

(21) Appl. No.: **29/313,011**

(57) **CLAIM**

(22) Filed: **Dec. 1, 2008**

The ornamental design for a fishing rod flotation handle, as shown and described.

(51) **LOC (9) Cl.** **22-05**

(52) **U.S. Cl.** **D22/139**

(58) **Field of Classification Search** D22/134–150;
D8/300, 303, 305; 43/20, 22, 23, 25
See application file for complete search history.

DESCRIPTION

FIG. 1 is a perspective view of the fishing rod flotation handle showing my new design, the subject matter shown in broken lines being for illustrative purposes only and forming no part of the claimed design;

(56) **References Cited**

U.S. PATENT DOCUMENTS

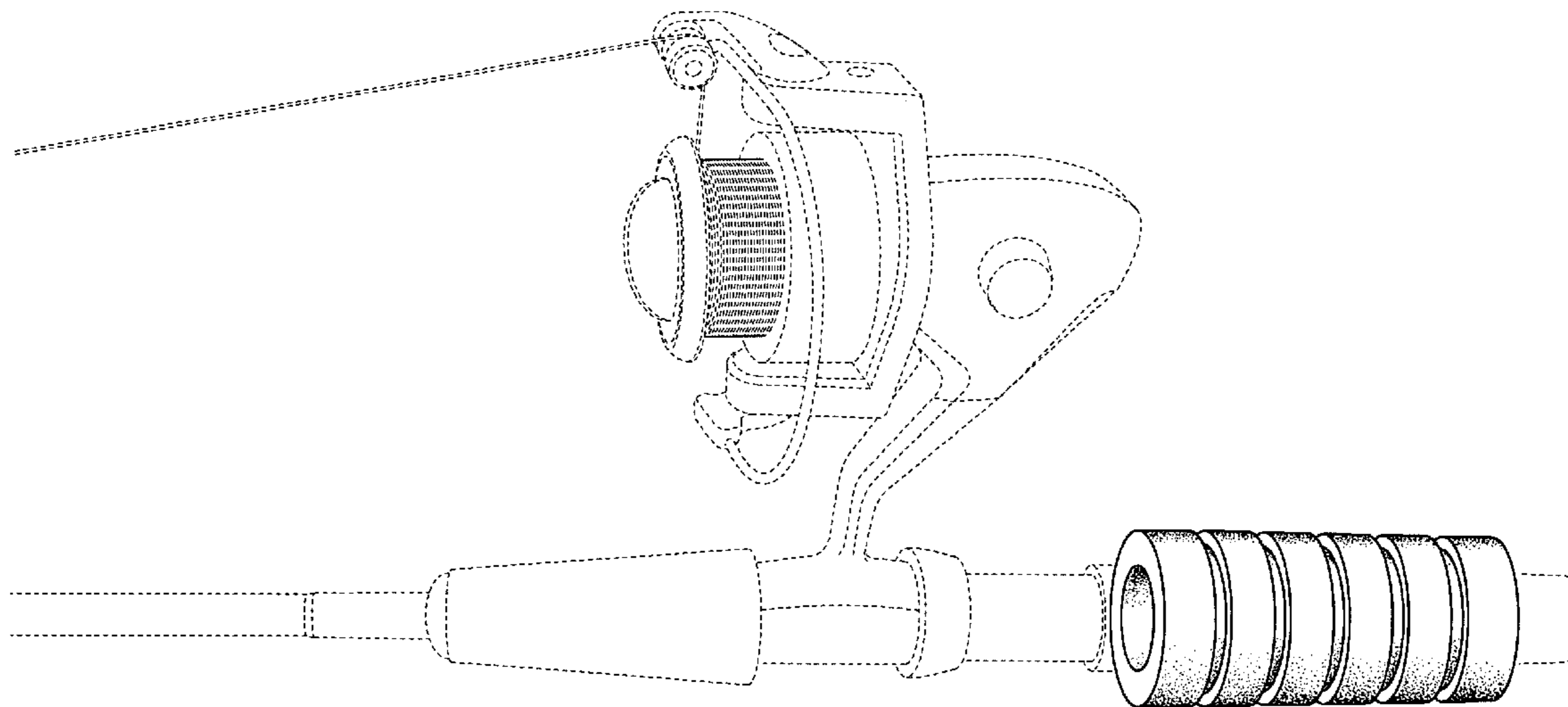
D194,153 S * 11/1962 Clink D22/142
4,583,314 A 4/1986 Kirkland
D322,022 S * 12/1991 Cunningham et al. D8/303
D327,726 S 7/1992 Lowrance et al.
D363,529 S * 10/1995 Nordstrom D22/139
5,592,773 A 1/1997 Perry
D390,307 S * 2/1998 Ohmura D22/142

FIG. 2 is a perspective view of the detached handle shown in FIG. 1.

FIG. 3 is a side elevation of the handle FIG. 2; and,

FIG. 4 is an end view of the handle of FIG. 2, the opposite end of which is a mirror image.

1 Claim, 2 Drawing Sheets



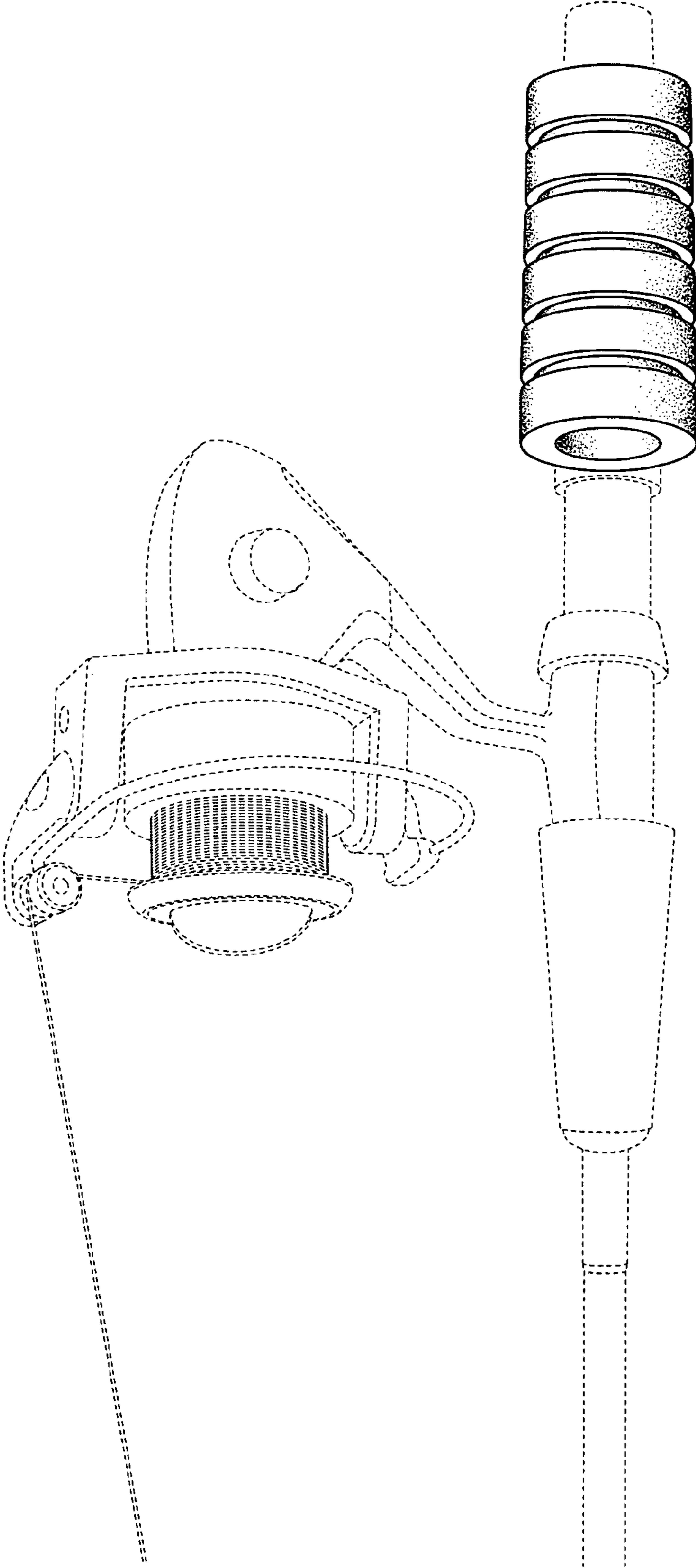


FIG. 1

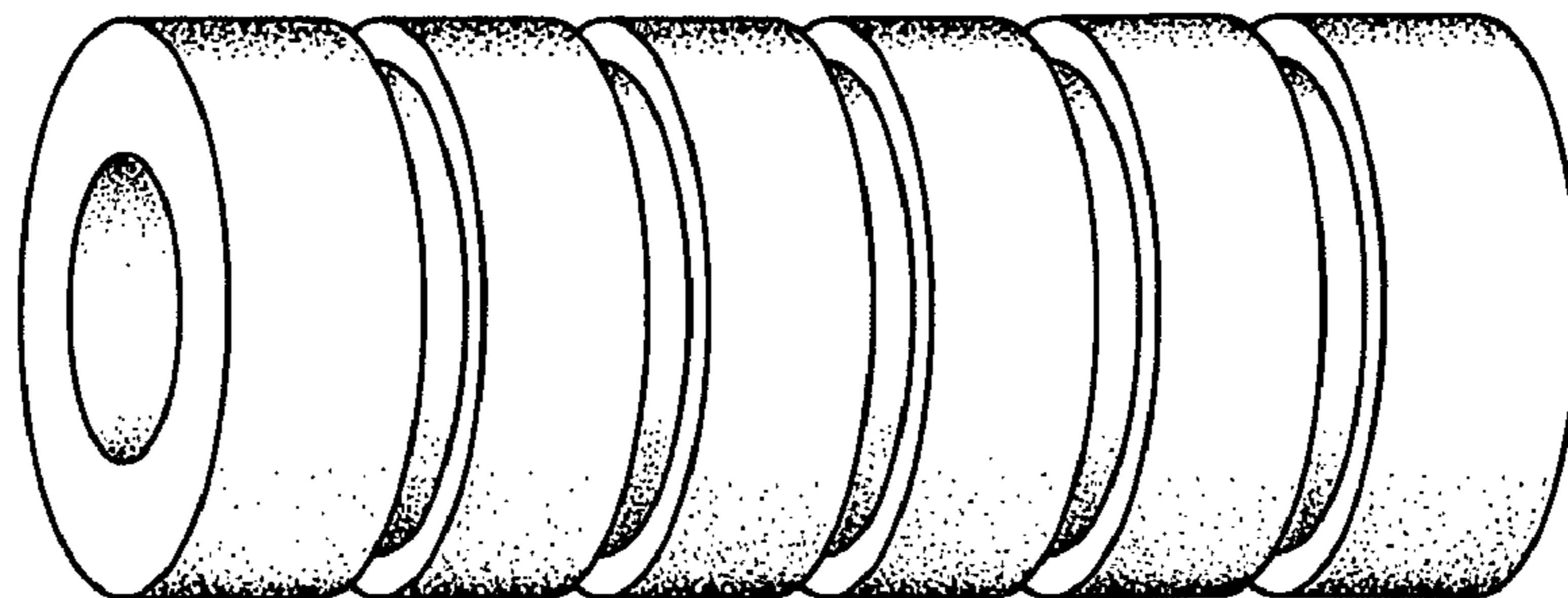


FIG. 2

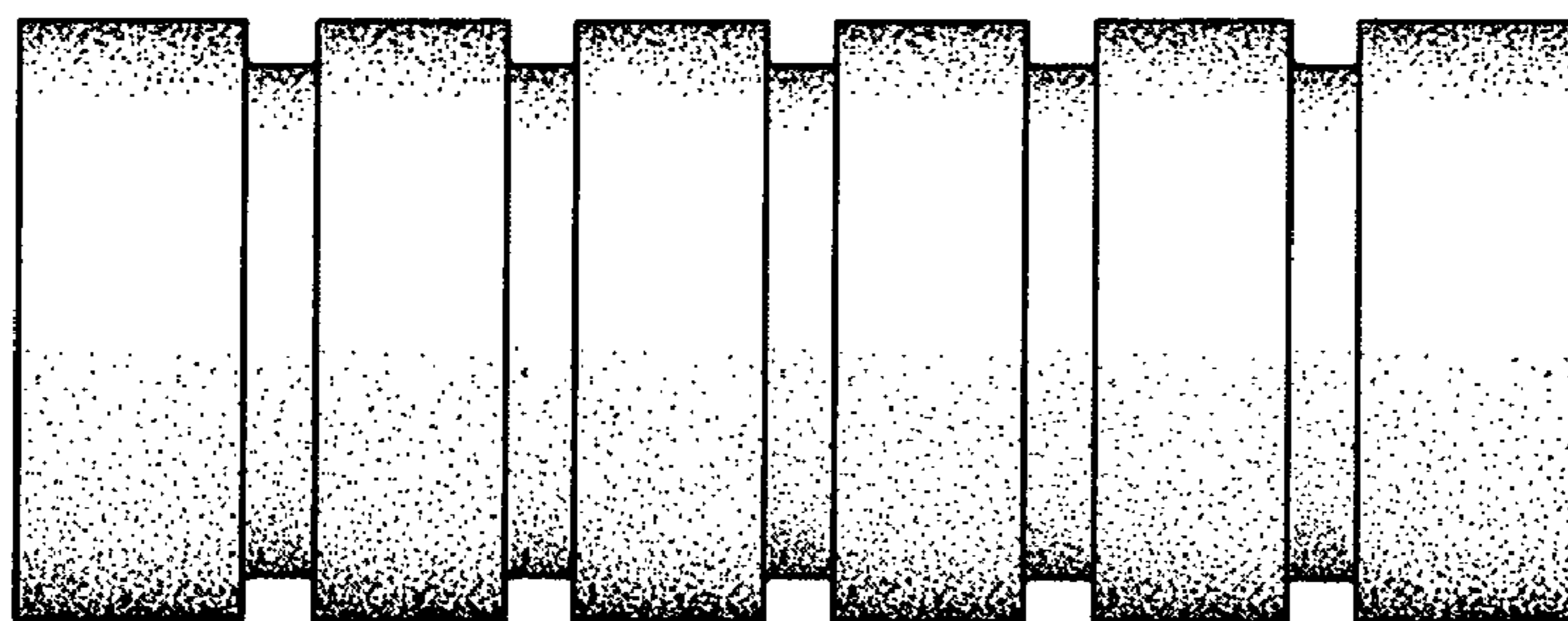


FIG. 3

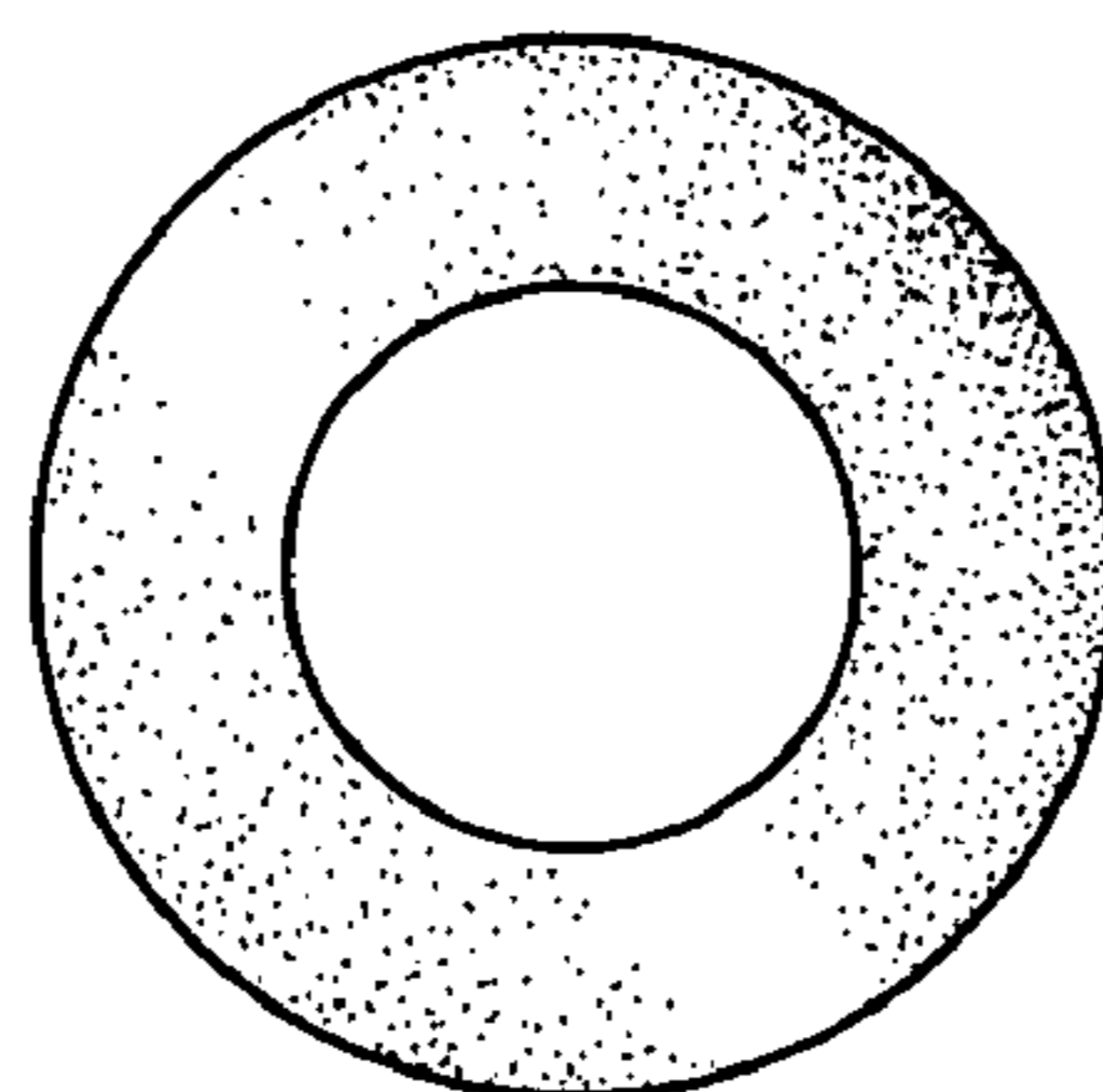


FIG. 4