

US00D600772S

(12) **United States Design Patent**
Swan

(10) **Patent No.:** **US D600,772 S**
(45) **Date of Patent:** **** Sep. 22, 2009**

(54) **FLASH HIDER FLASHLIGHT HEAD
MODULE**

(76) Inventor: **Richard E. Swan**, 171 West St., E.
Bridgewater, MA (US) 02333

(**) Term: **14 Years**

(21) Appl. No.: **29/330,755**

(22) Filed: **Jan. 14, 2009**

(51) **LOC (9) Cl.** **22-01**

(52) **U.S. Cl.** **D22/108**

(58) **Field of Classification Search** D22/100,
D22/108, 199; 42/79, 90, 1.06; 181/223;
89/14.3, 14.4

See application file for complete search history.

(56) **References Cited**

U.S. PATENT DOCUMENTS

2,124,075	A *	7/1938	Moore	89/14.1
4,579,034	A *	4/1986	Holloway	89/33.1
4,716,809	A *	1/1988	A'Costa	89/14.3
5,092,223	A *	3/1992	Hudson	89/14.2
D349,147	S *	7/1994	Gwinn, Jr.	D22/108
5,596,161	A *	1/1997	Sommers	89/14.2
6,595,099	B1 *	7/2003	Olson et al.	89/14.2
D542,877	S *	5/2007	Murello et al.	D22/103
D577,409	S *	9/2008	Brittingham	D22/108
D577,410	S *	9/2008	Brittingham	D22/108

2005/0115394	A1 *	6/2005	Matthews et al.	89/14.4
2006/0010750	A1 *	1/2006	Yoshitaka	42/79
2008/0083321	A1 *	4/2008	Dueck et al.	89/14.3

* cited by examiner

Primary Examiner—T. Chase Nelson

Assistant Examiner—Michael A Pratt

(74) *Attorney, Agent, or Firm*—Barlow, Josephs & Holmes,
Ltd.

(57) **CLAIM**

The ornamental design for a flash hider flashlight head module, as shown and described.

DESCRIPTION

FIG. 1 is a perspective view of the flash hider flashlight head module in accordance with the present invention;

FIG. 2 is a right side view thereof;

FIG. 3 is a left side view thereof;

FIG. 4 is a top view thereof;

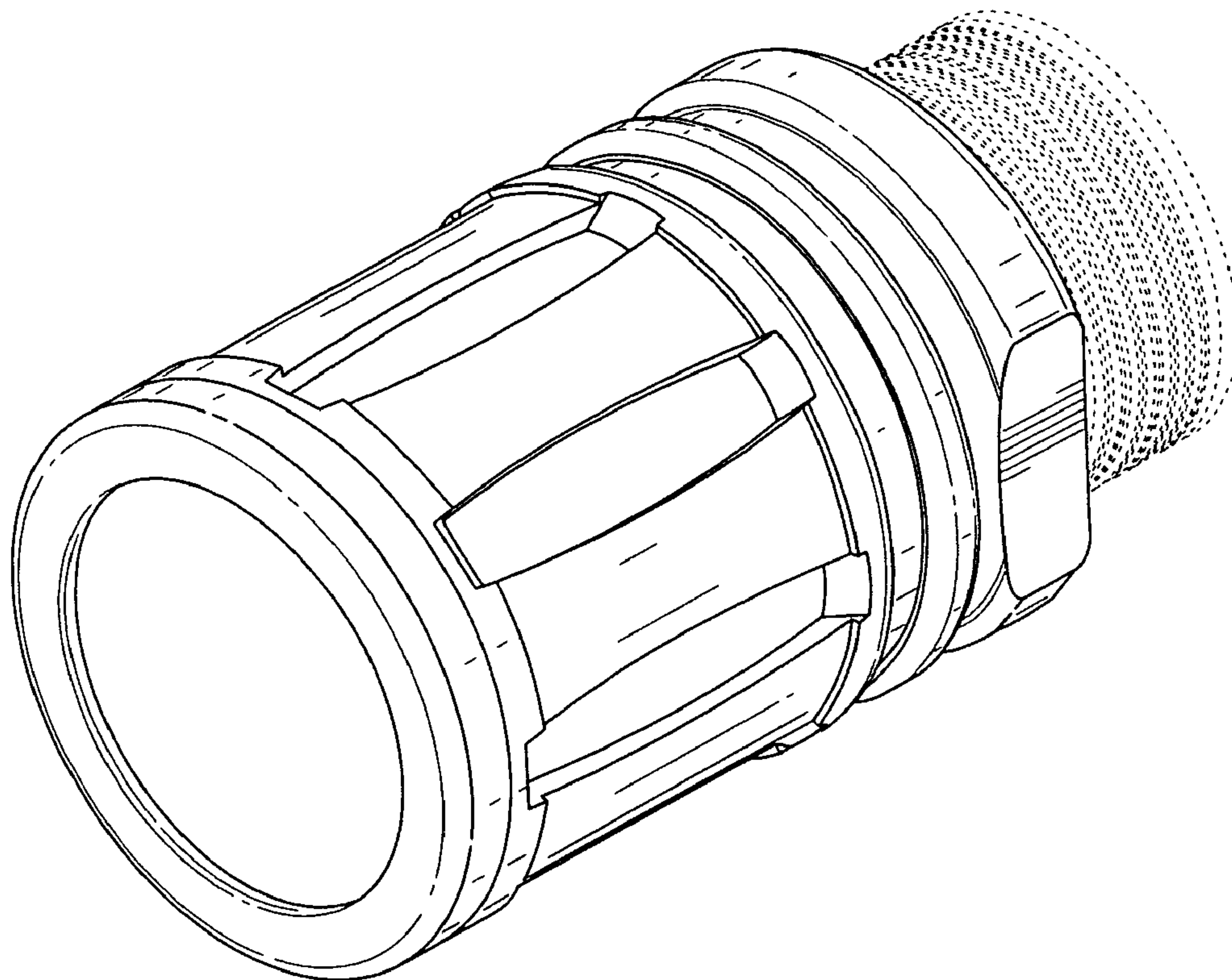
FIG. 5 is a bottom view thereof;

FIG. 6 is a front view thereof; and,

FIG. 7 is a rear view thereof.

The elements depicted in broken line in the various figures are included for environmental purposes only, and form no part of the claimed design.

1 Claim, 7 Drawing Sheets



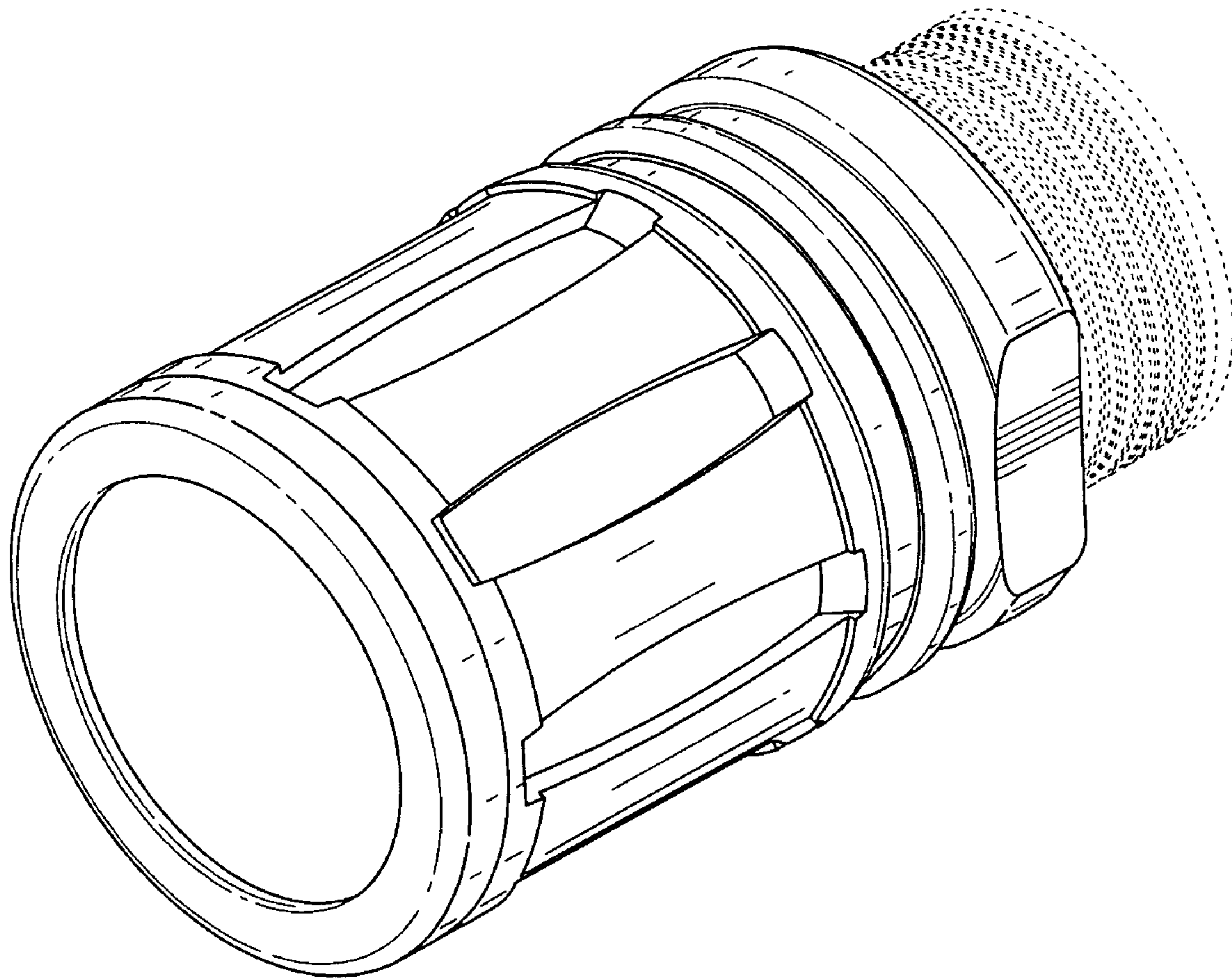


FIG. 1

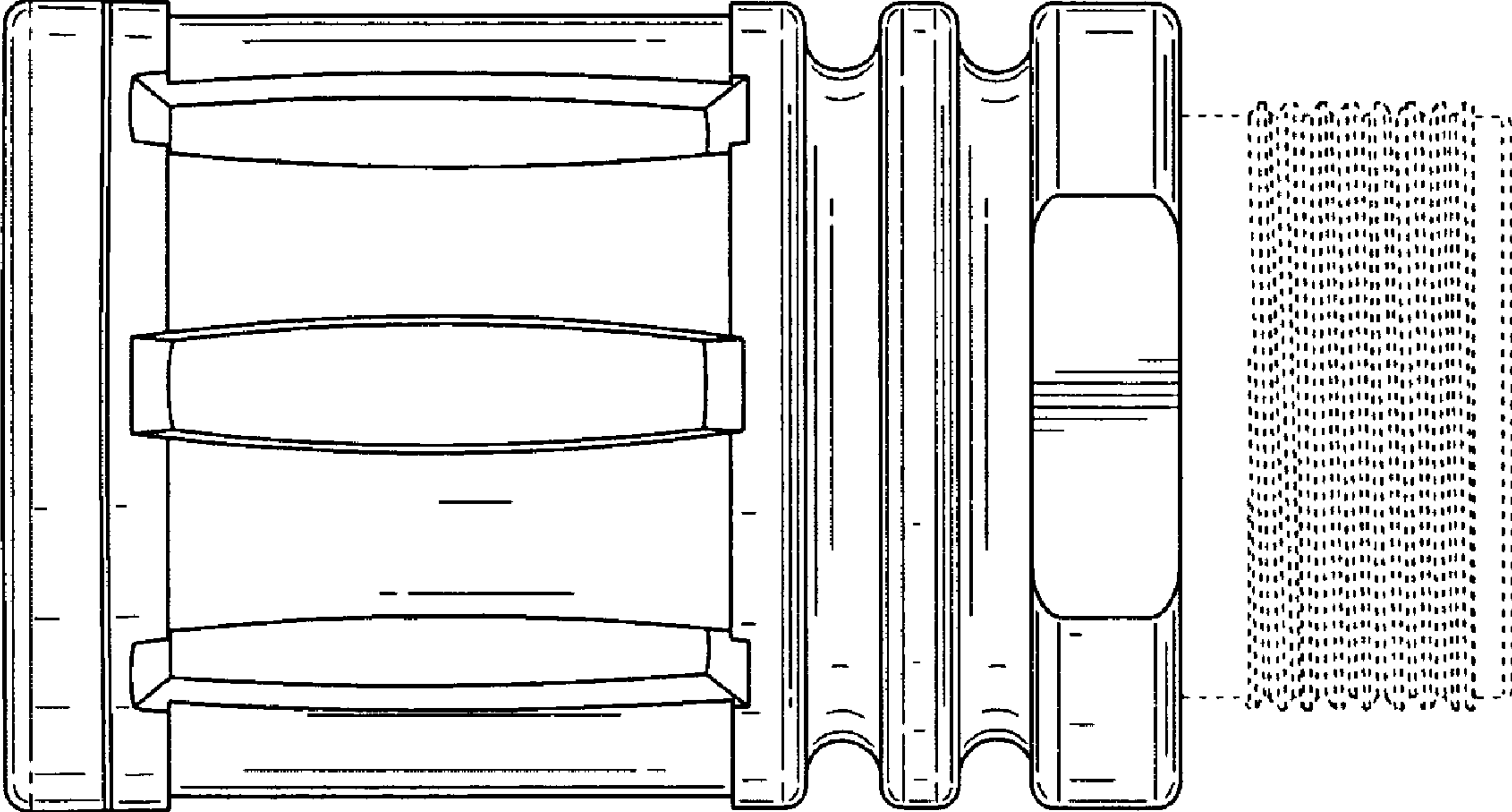


FIG. 2

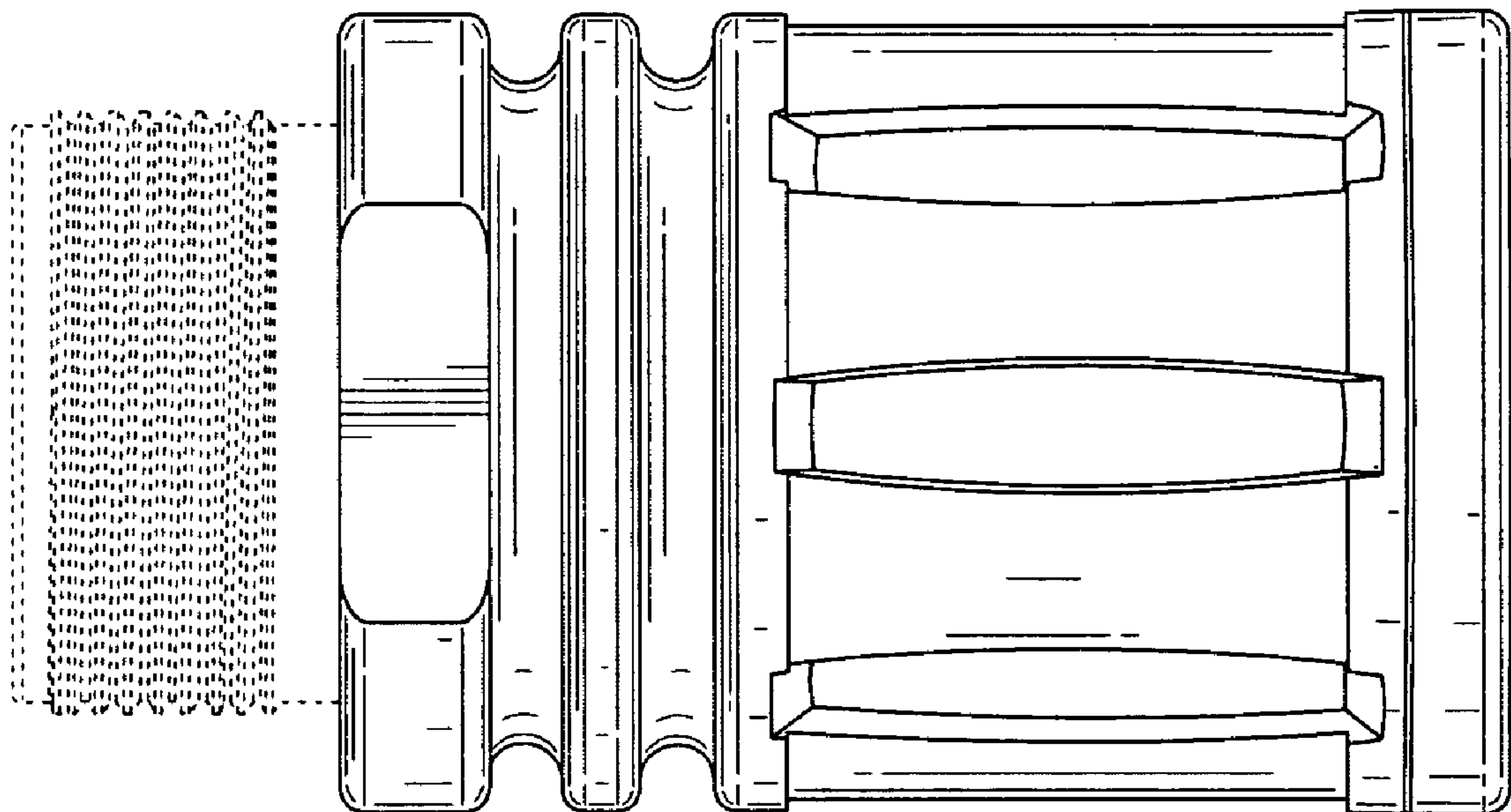


FIG. 3

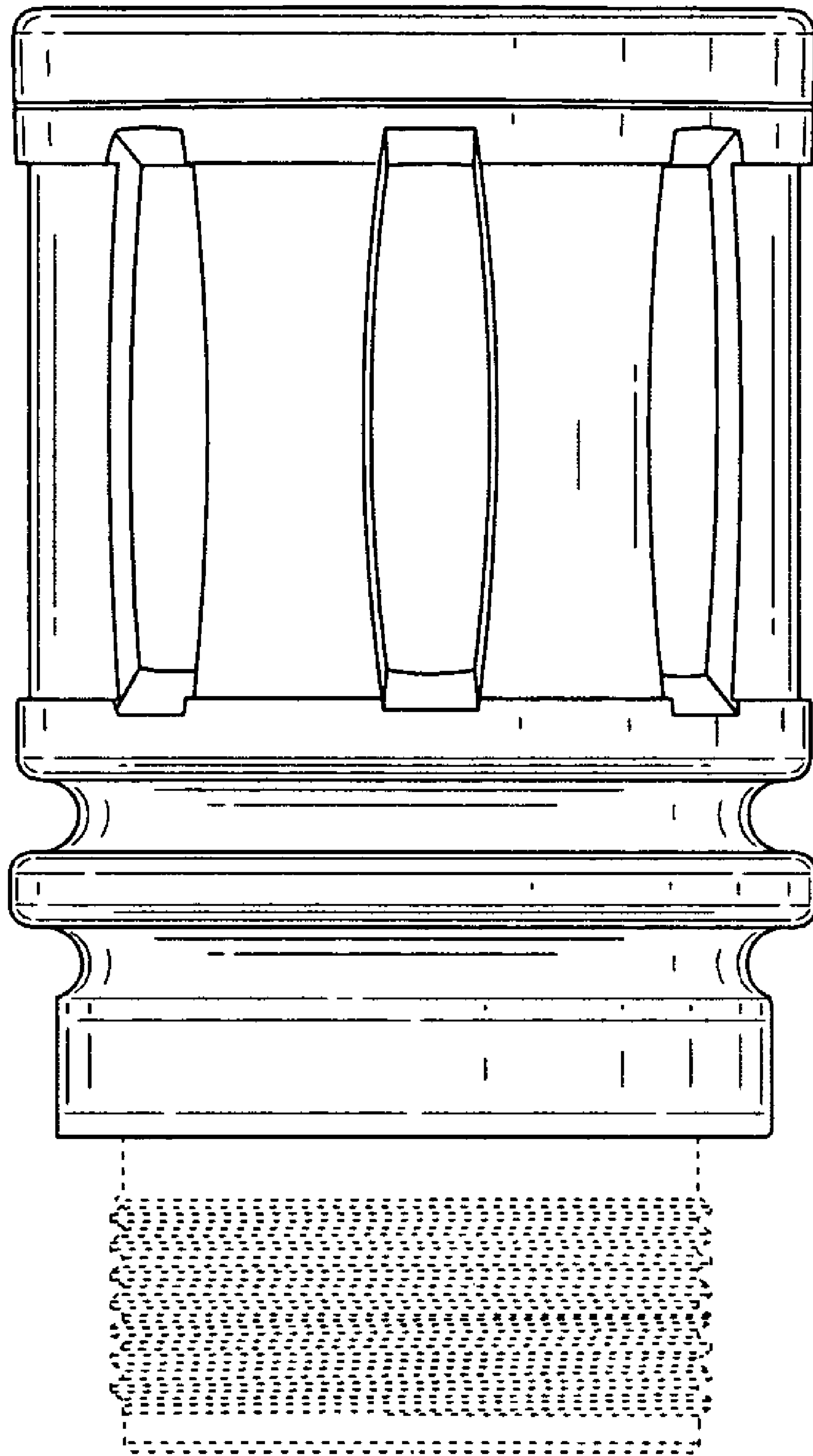


FIG. 4

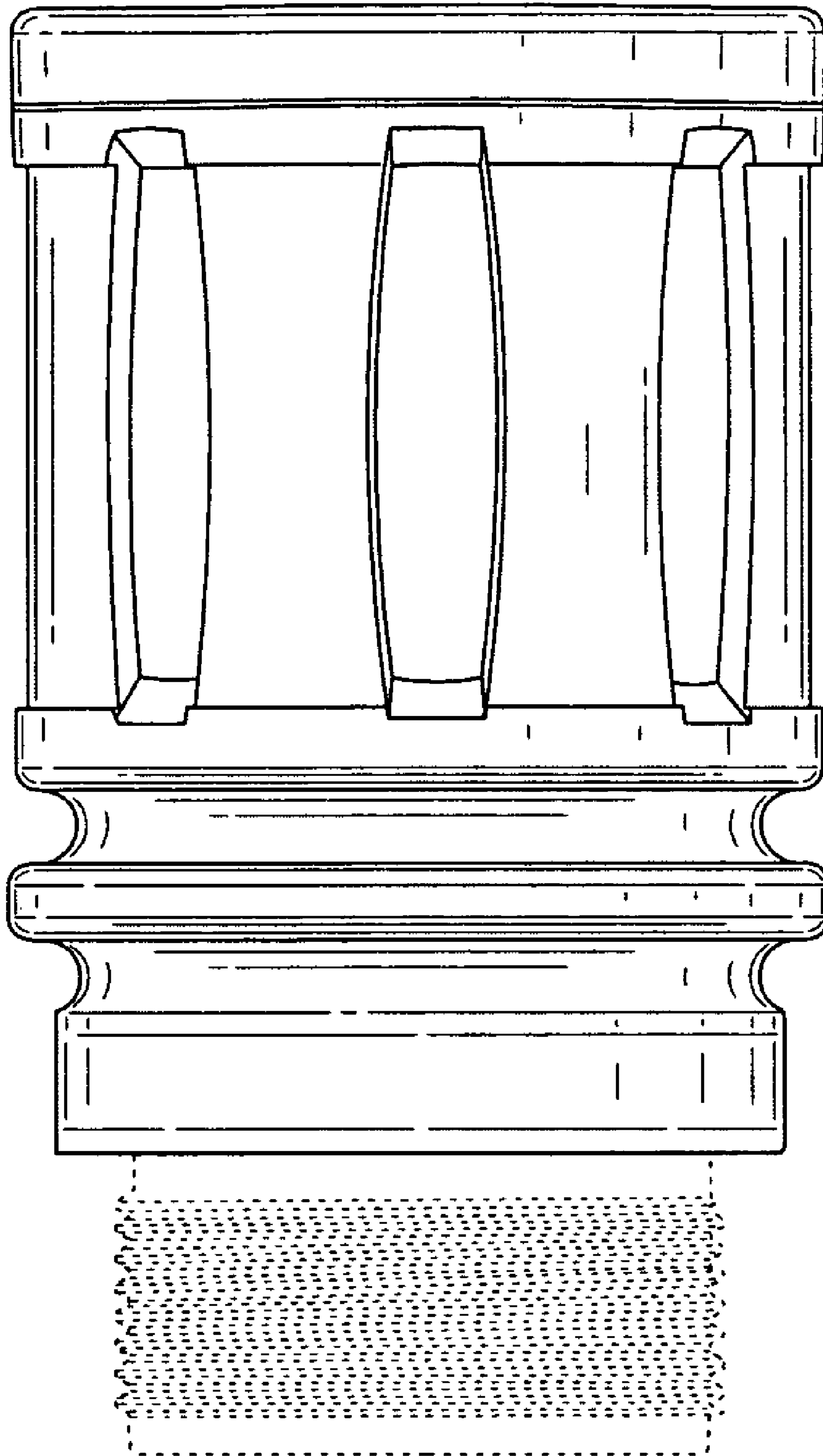


FIG. 5

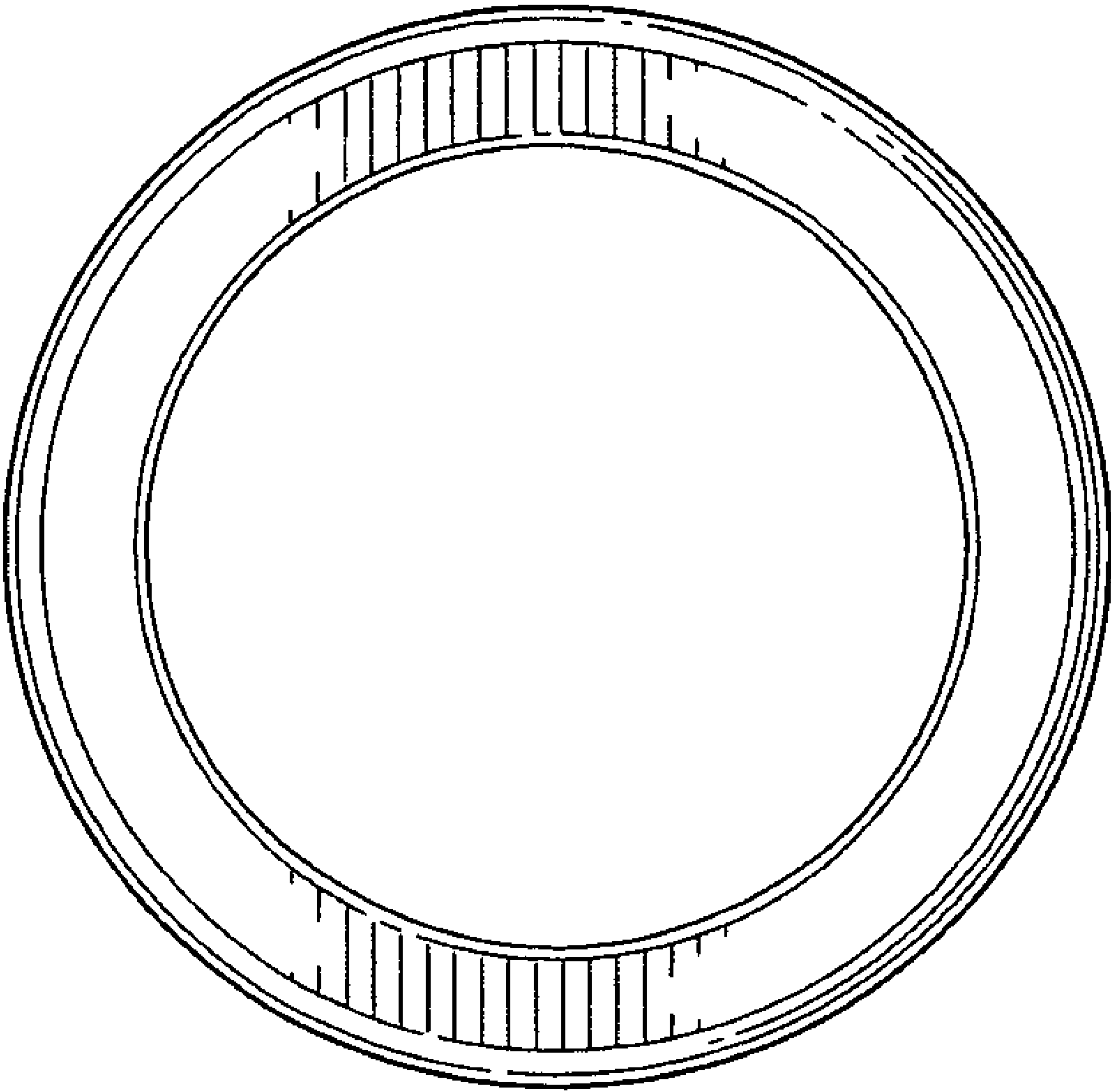


FIG. 6

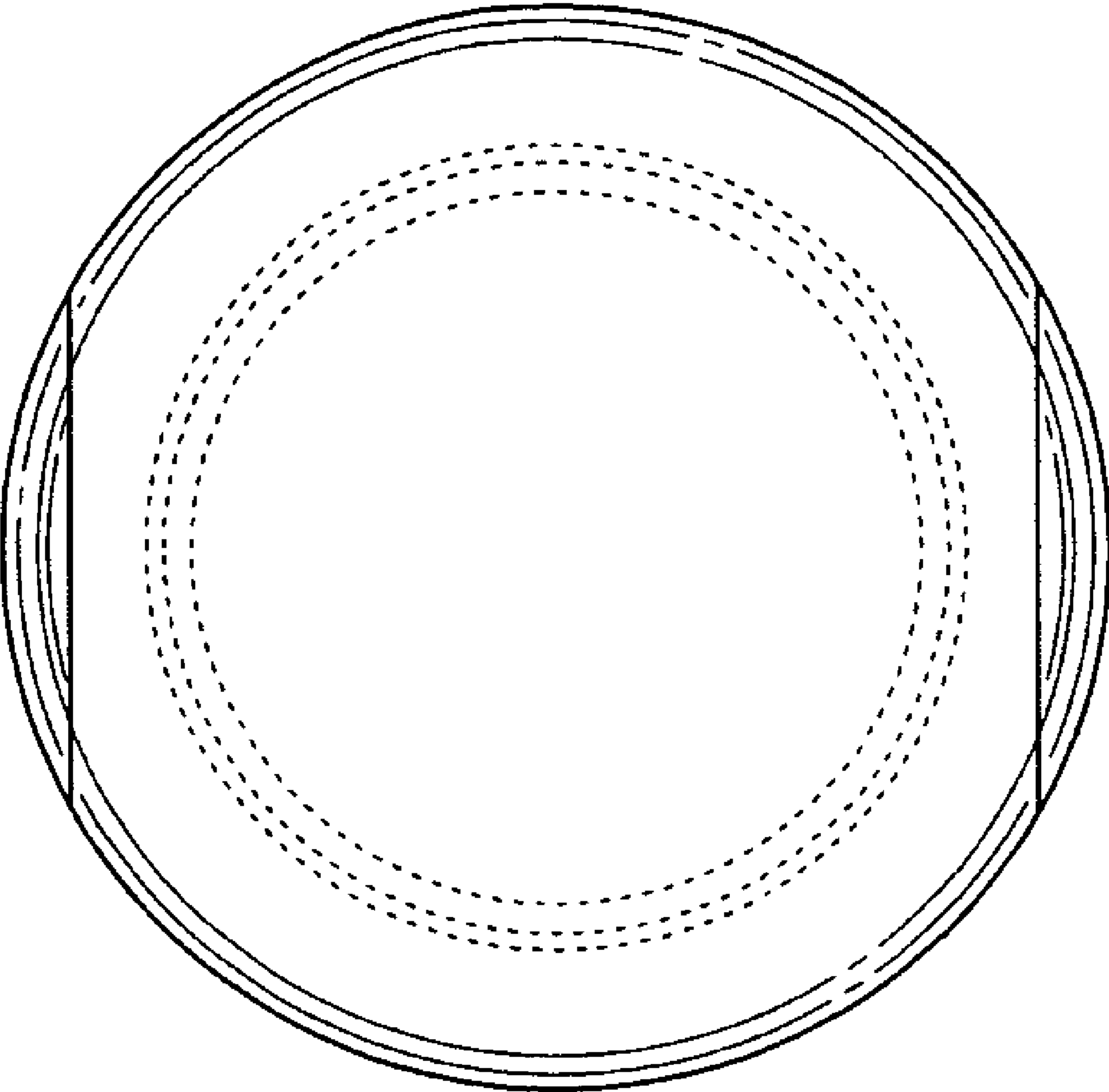


FIG. 7