



US00D600771S

(12) **United States Design Patent**  
**Fitzpatrick et al.**

(10) **Patent No.:** **US D600,771 S**  
(45) **Date of Patent:** **\*\* Sep. 22, 2009**

(54) **LOWER RECEIVER FOR A FIREARM**

(74) *Attorney, Agent, or Firm*—Geoffrey E. Dobbin

(75) Inventors: **Richard M. Fitzpatrick**, Denver, CO (US); **Michael T. Mayberry**, Denver, CO (US); **Eric S. Nakayama**, Broomfield, CO (US); **Brian L. Nakayama**, Arvada, CO (US)

(57) **CLAIM**

The ornamental design for a lower receiver for a firearm, as shown and described.

(73) Assignee: **Magpul Industries Corp.**, Erie, CO (US)

**DESCRIPTION**

(\*\*) Term: **14 Years**

(21) Appl. No.: **29/303,205**

(22) Filed: **Feb. 1, 2008**

(51) **LOC (9) Cl.** ..... **22-01**

(52) **U.S. Cl.** ..... **D22/108**

(58) **Field of Classification Search** ..... D22/100,  
D22/108, 109, 110, 199; 42/11, 72, 75.02,  
42/71.01, 85, 90, 106, 114, 113, 116, 119,  
42/124, 125, 127, 145, 128; 248/201, 205.1;  
362/110; 33/241; 313/105 R; 89/40.06,  
89/37.04, 33.04, 191.01; 124/67, 66, 74  
See application file for complete search history.

FIG. 1 is a rear plan view of the lower receiver for a firearm.

FIG. 2 is a front plan view of the lower receiver for a firearm.

FIG. 3 is a right/top/rear perspective view of the lower receiver for a firearm.

FIG. 4 is a left plan view of the lower receiver for a firearm.

FIG. 5 is a right plan view of the lower receiver for a firearm.

FIG. 6 is a top plan view of the lower receiver for a firearm.

FIG. 7 is a bottom plan view of the lower receiver for a firearm.

FIG. 8 is a left/top/front perspective view of the lower receiver for a firearm.

FIG. 9 is a left/top/rear perspective view of the lower receiver for a firearm.

FIG. 10 is a left/bottom/rear perspective view of the lower receiver for a firearm.

FIG. 11 is a right/bottom/rear perspective view of the lower receiver for a firearm.

FIG. 12 is a right/bottom/rear perspective view of the lower receiver for a firearm.

FIG. 13 is a left/bottom/front perspective view of the lower receiver for a firearm; and,

FIG. 14 is a right/top/front perspective view of the lower receiver for a firearm.

The broken line showing of portions of the lower receiver for a firearm in all figures is included for the purpose of illustrating environment and forms no part of the claimed design.

(56) **References Cited**

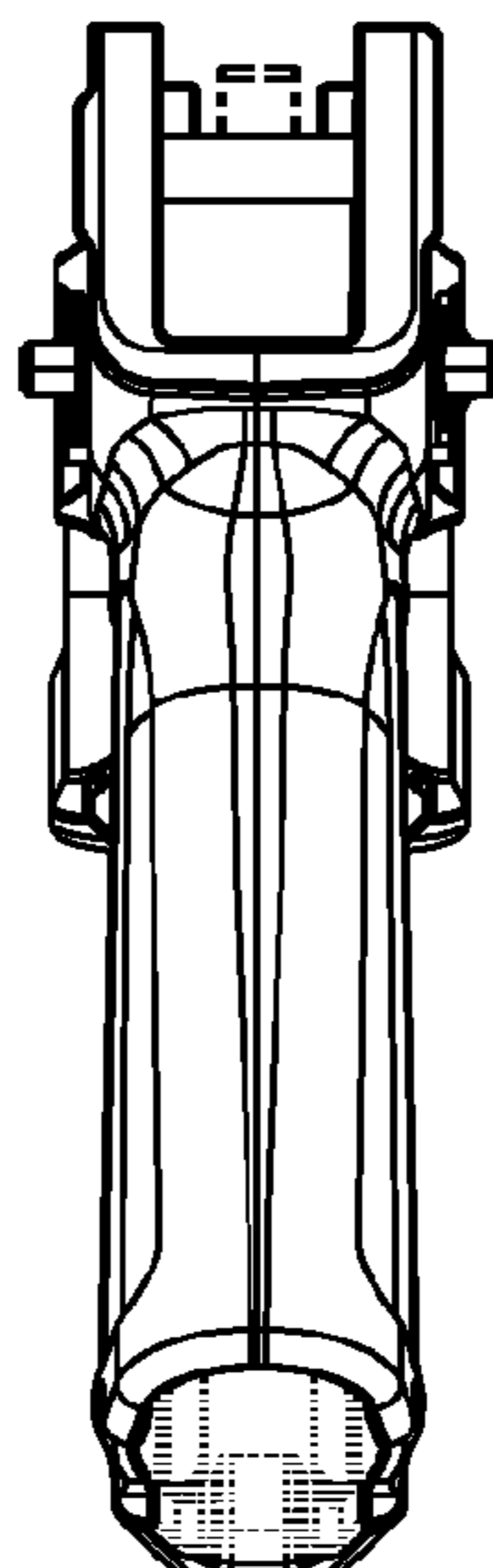
U.S. PATENT DOCUMENTS

6,598,330	B2 *	7/2003	Garrett et al.	42/85
7,428,795	B2 *	9/2008	Herring	42/75.01
2003/0110675	A1 *	6/2003	Garrett et al.	42/85
2004/0000083	A1 *	1/2004	Grant, Jr.	42/112
2005/0000142	A1 *	1/2005	Kim et al.	42/124
2005/0183317	A1 *	8/2005	Finn	42/72
2006/0283067	A1 *	12/2006	Herring	42/75.01
2007/0130817	A1 *	6/2007	Ballard	42/118

\* cited by examiner

*Primary Examiner*—T. Chase Nelson  
*Assistant Examiner*—Michael A Pratt

**1 Claim, 4 Drawing Sheets**



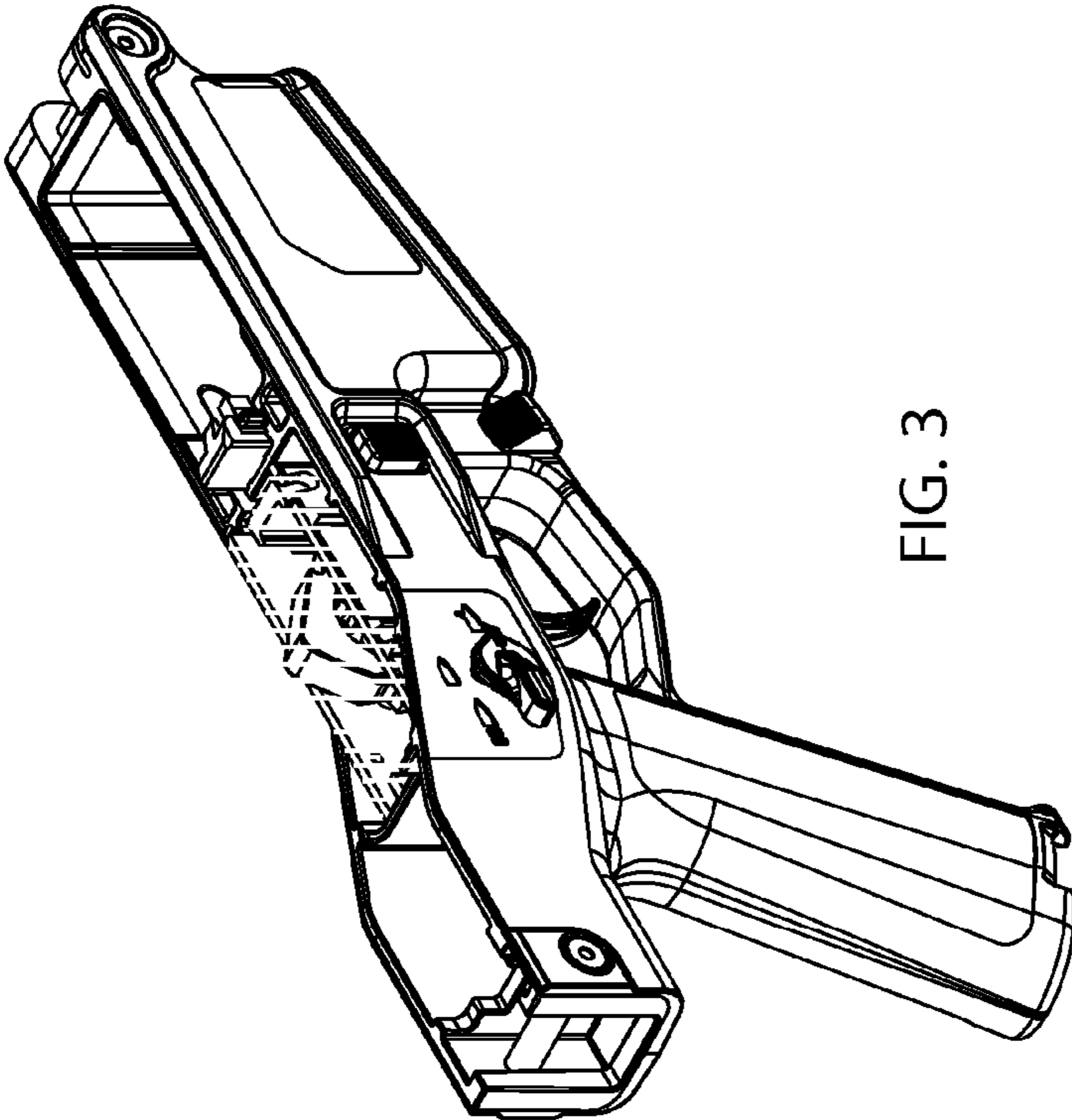


FIG. 3

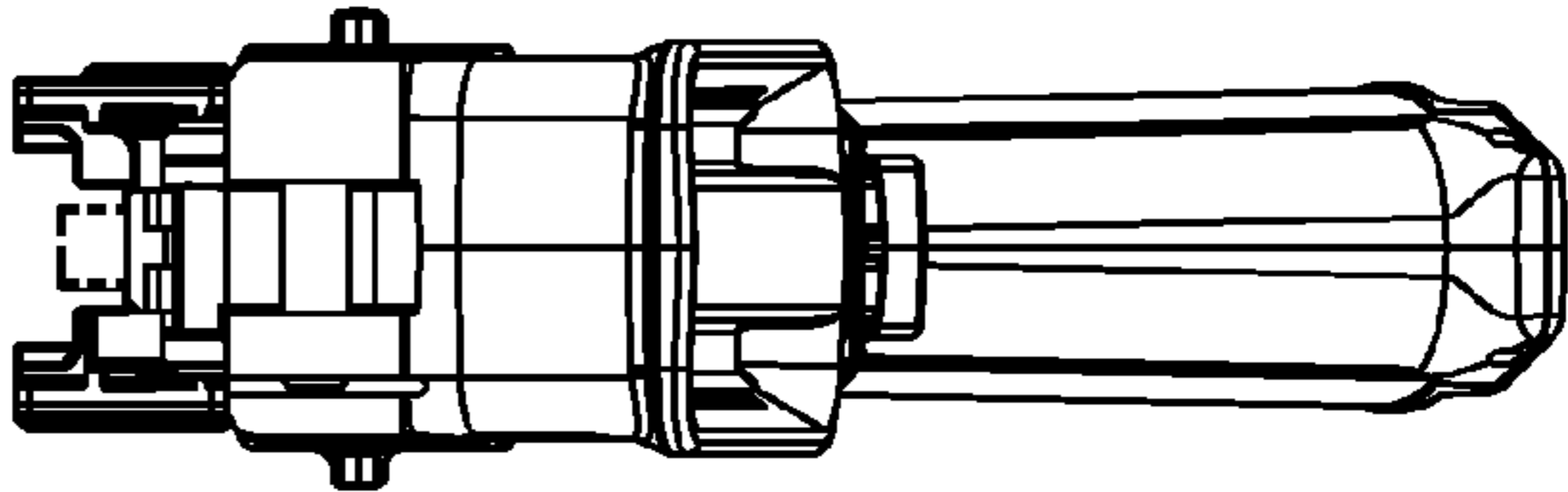


FIG. 2

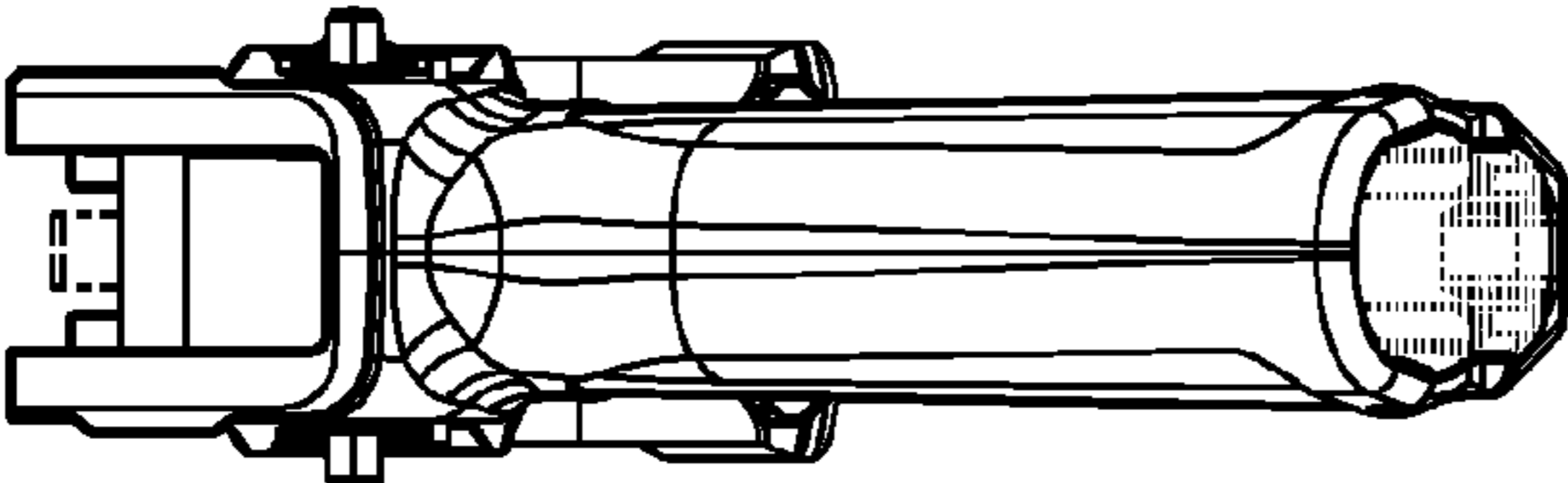
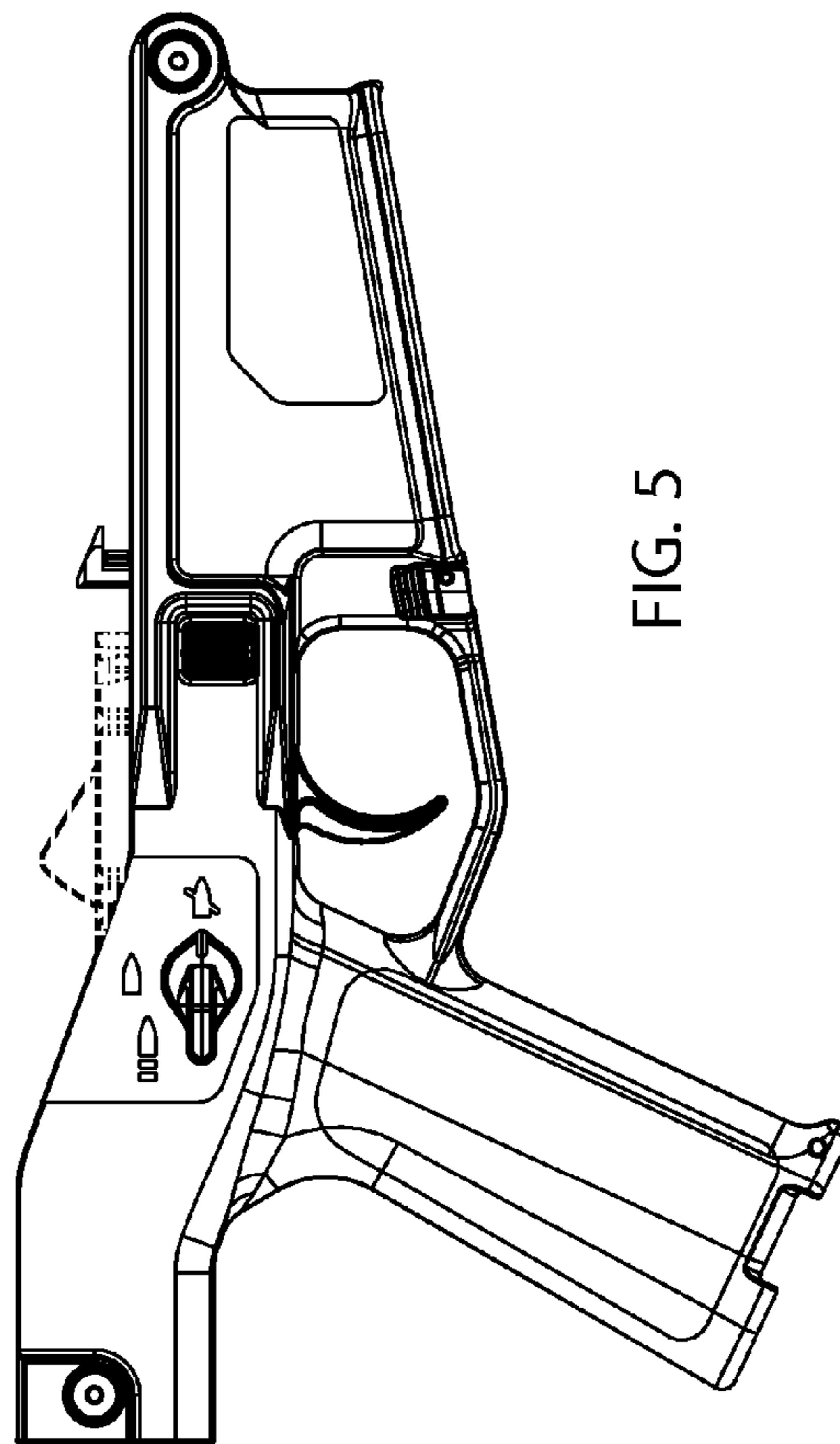
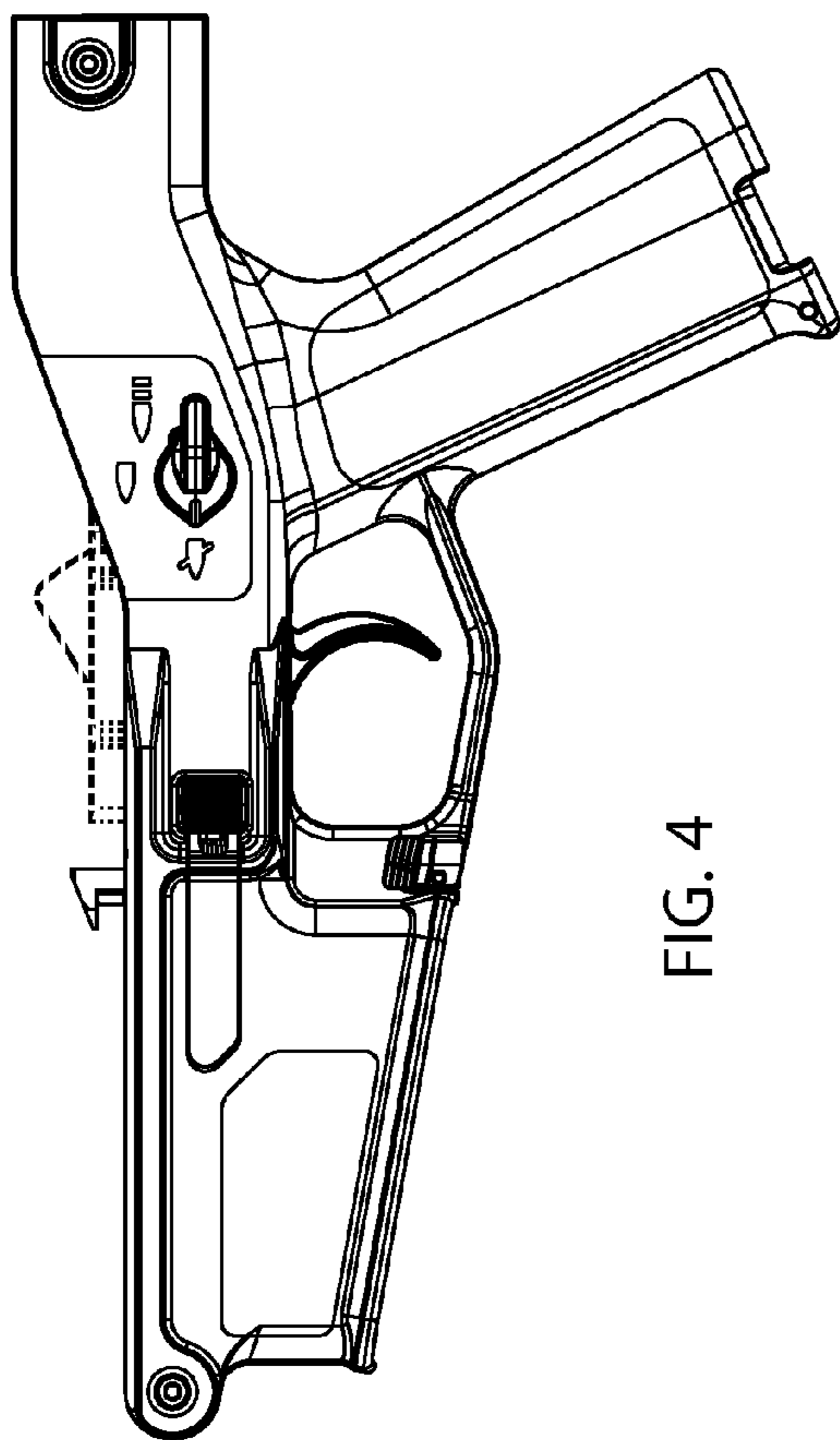
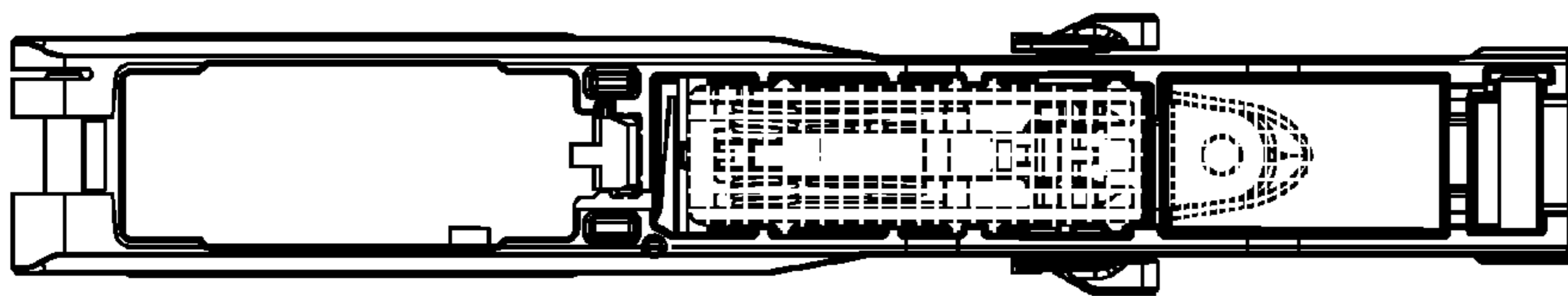
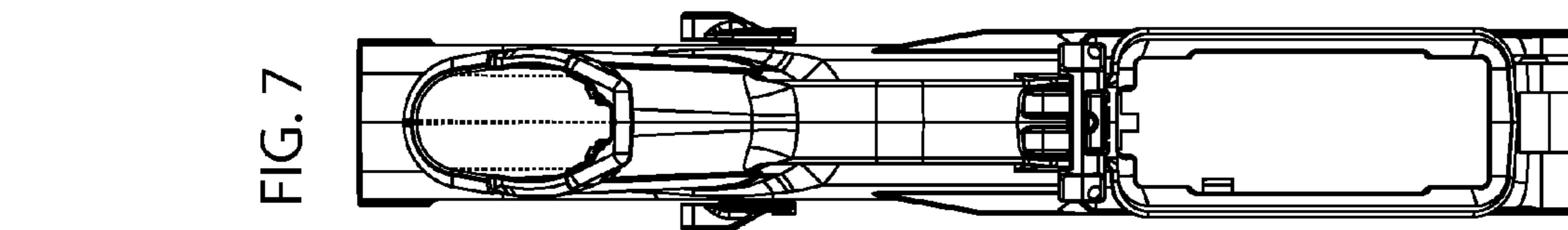


FIG. 1



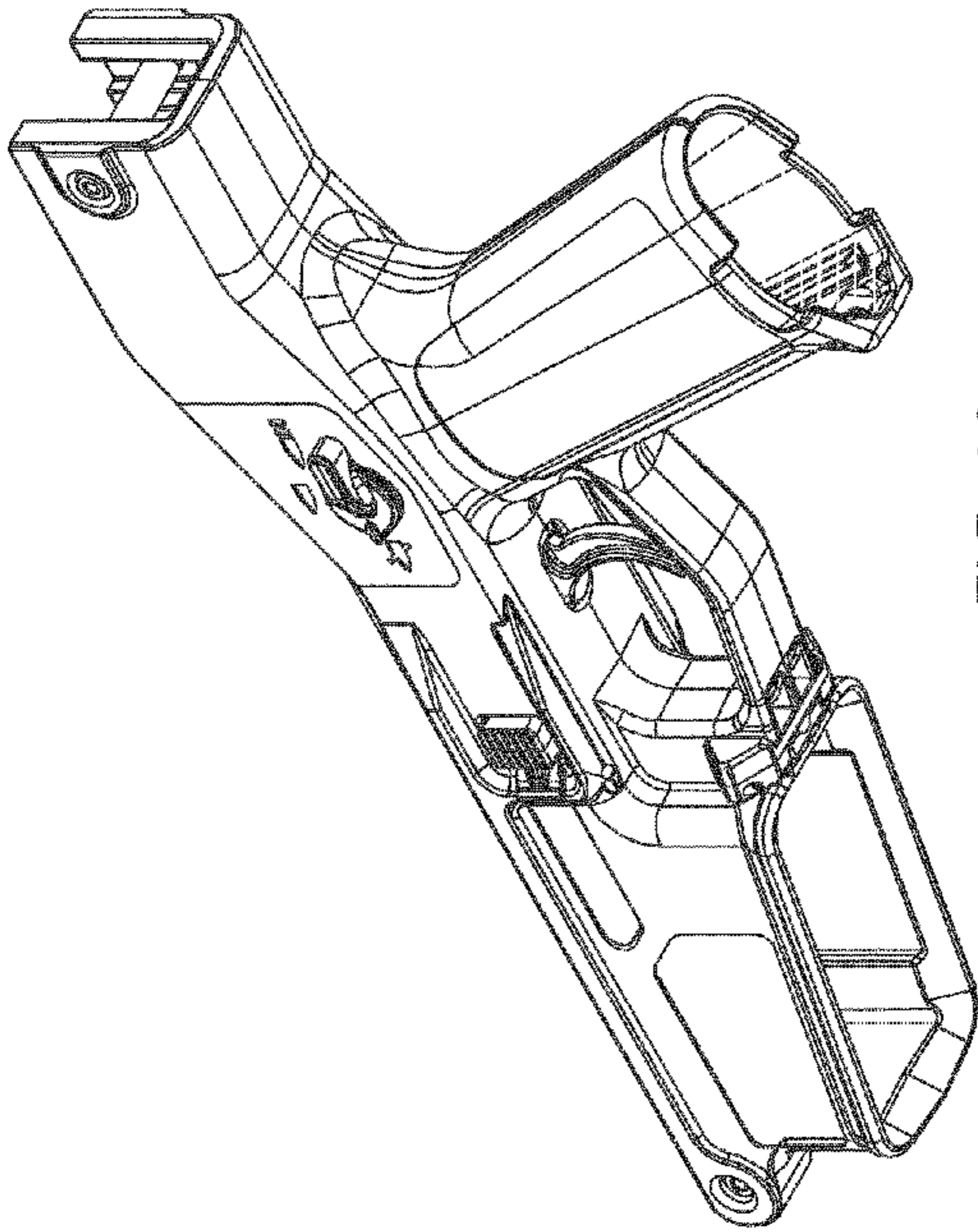


FIG. 10

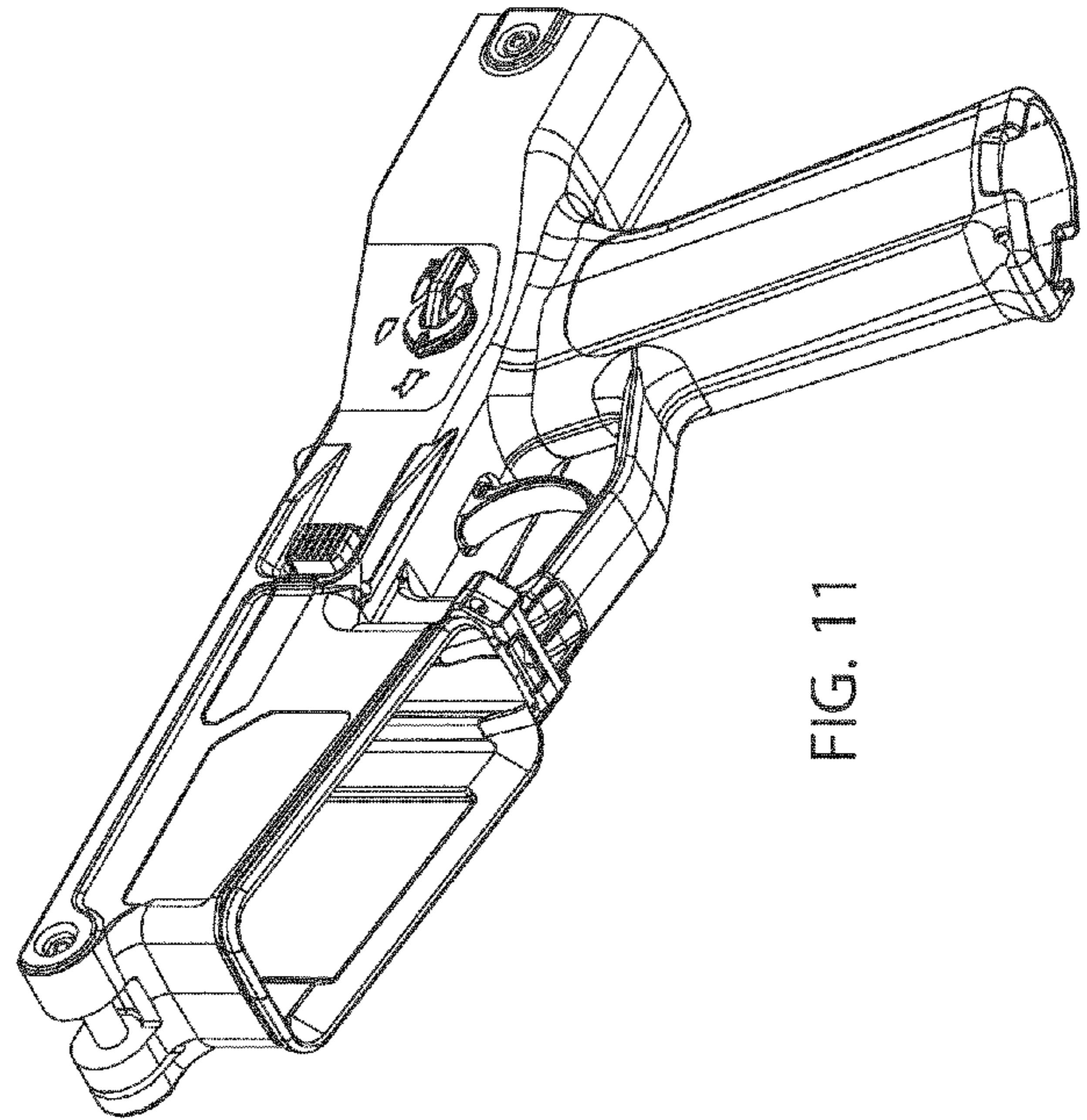


FIG. 11

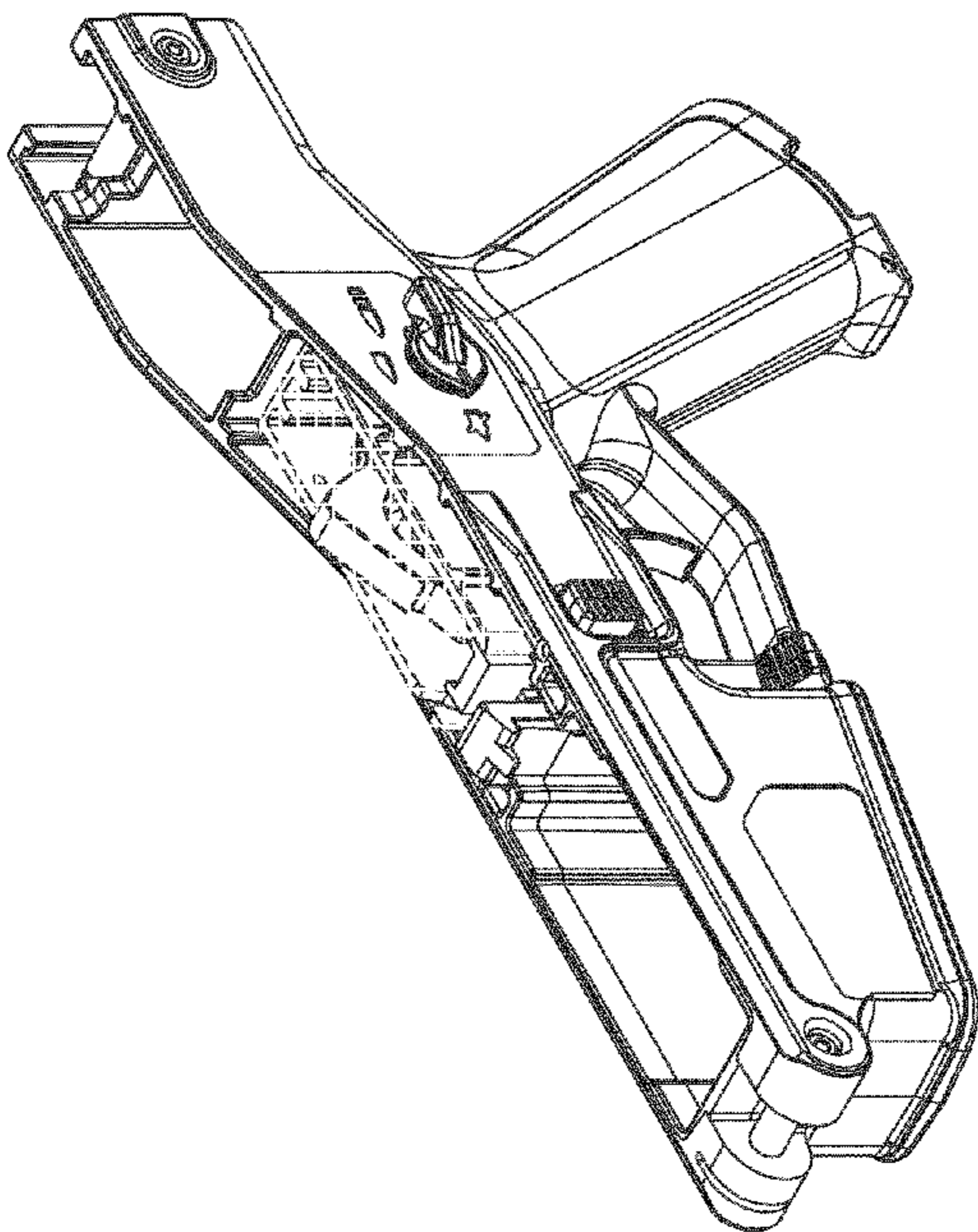


FIG. 8

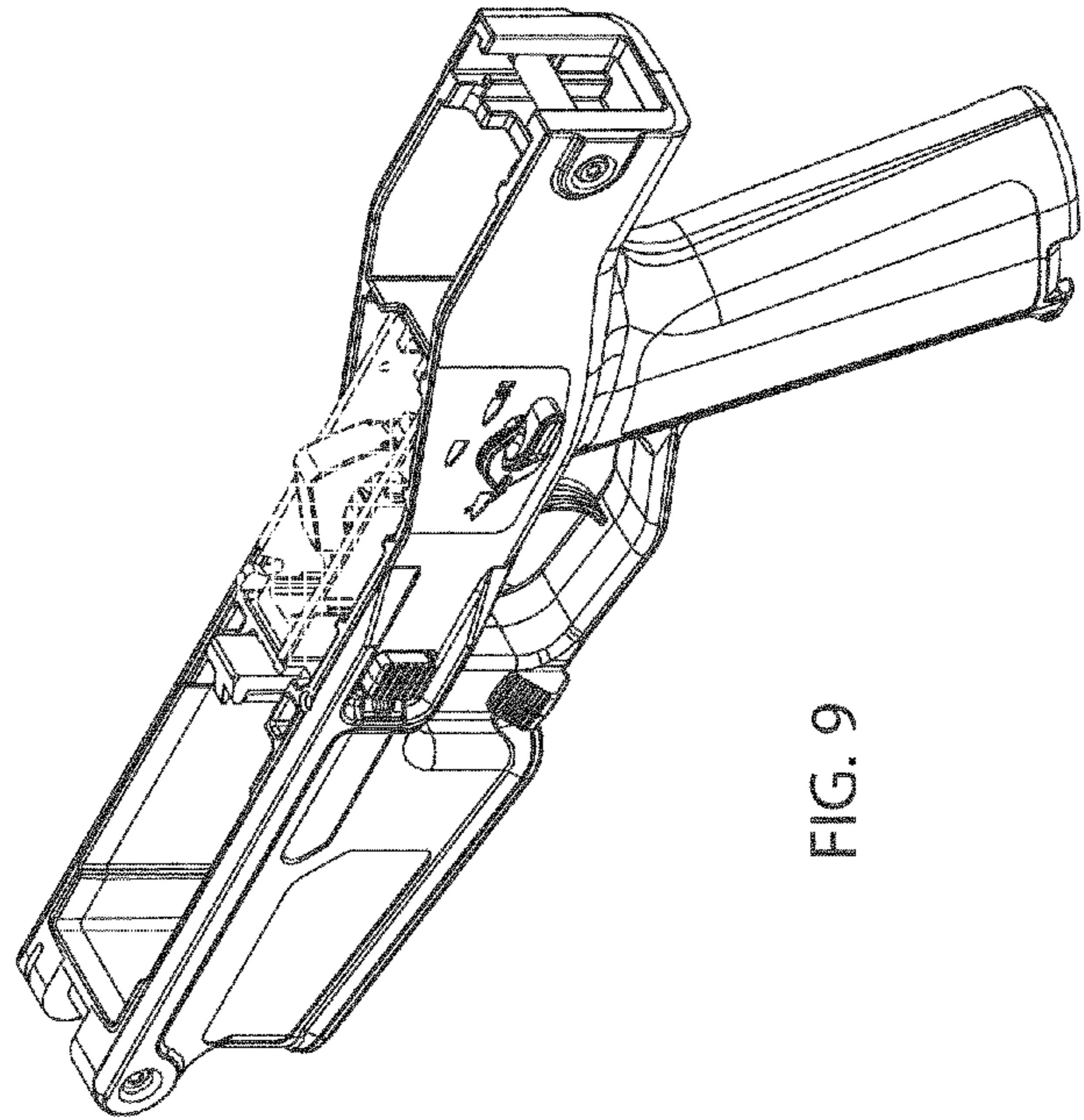


FIG. 9

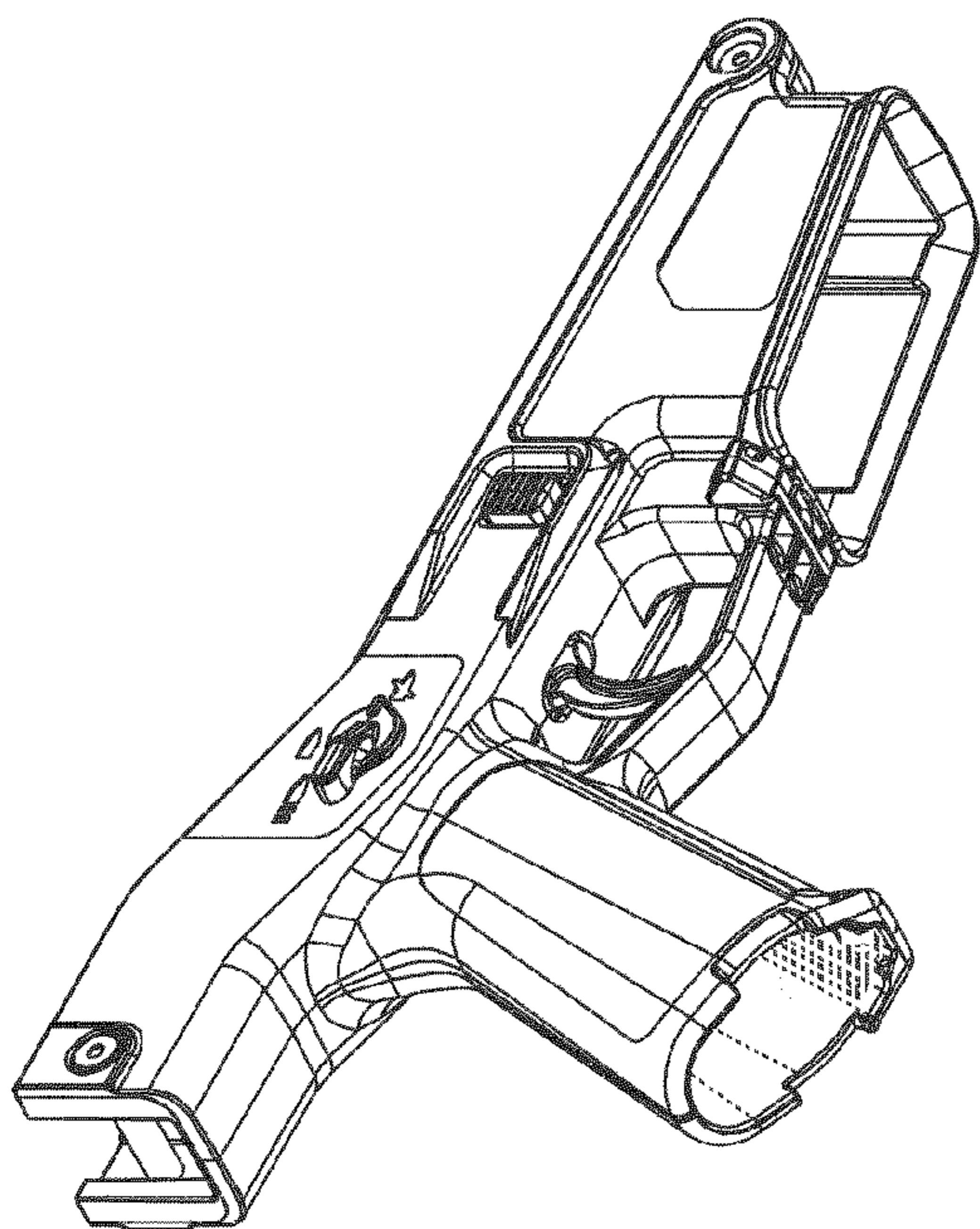


FIG. 12

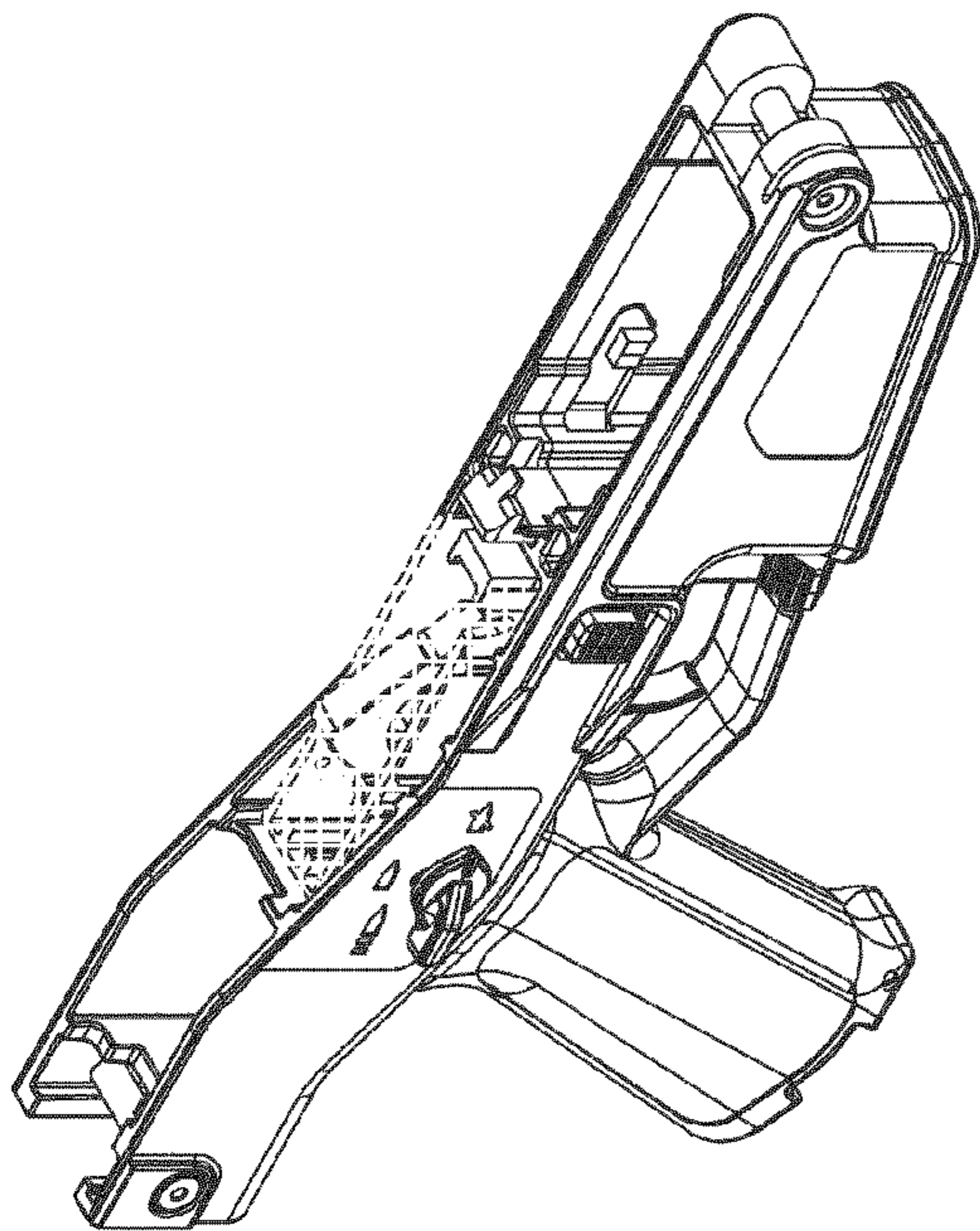


FIG. 14

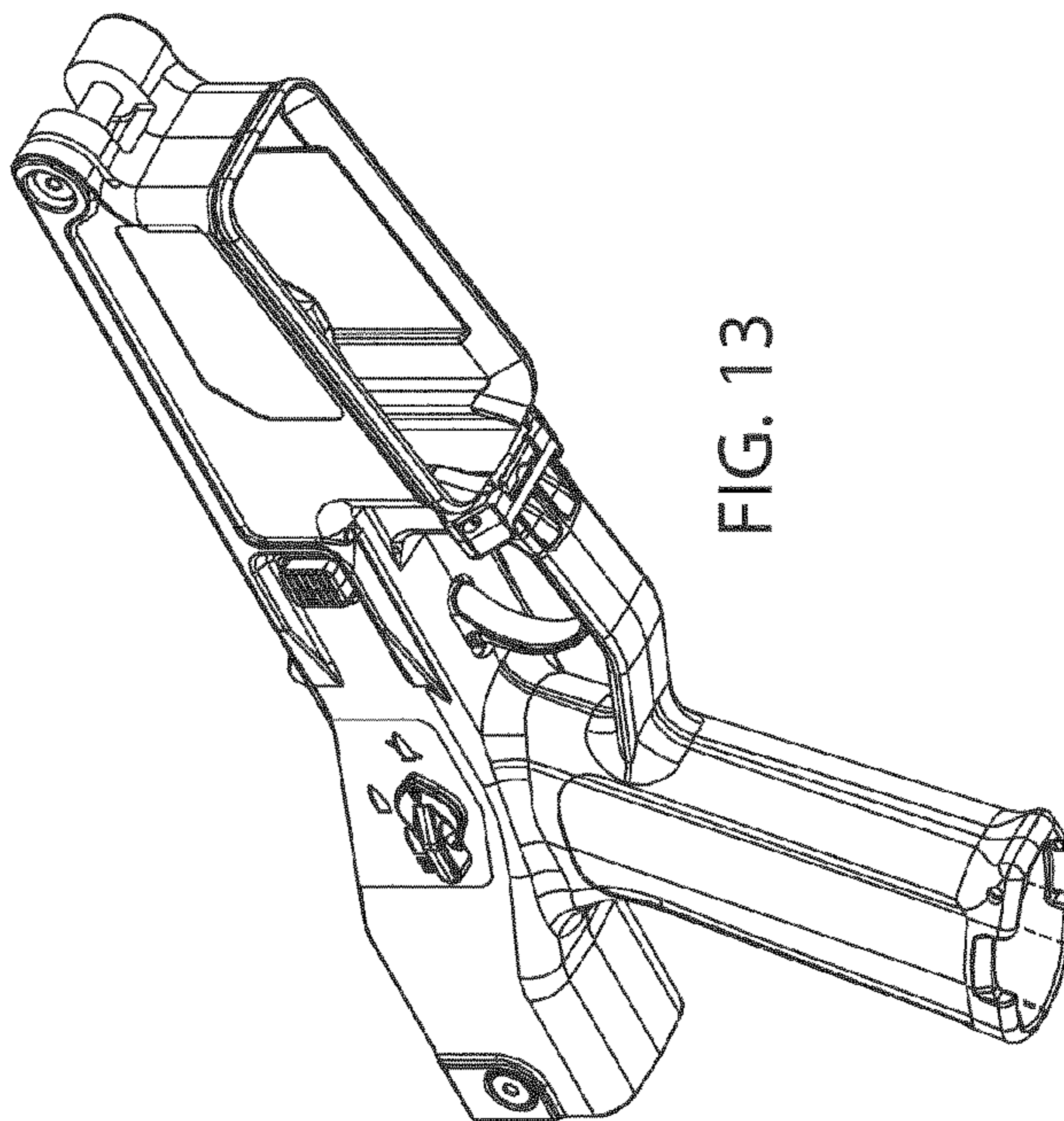


FIG. 13