



US00D600770S

(12) **United States Design Patent**
Xiao

(10) **Patent No.:** **US D600,770 S**

(45) **Date of Patent:** **** Sep. 22, 2009**

(54) **INFLATABLE PLAYGROUND EQUIPMENT**

D556,287 S * 11/2007 Robinson et al. D21/819
D556,288 S * 11/2007 Robinson et al. D21/819
D557,369 S * 12/2007 Robinson D21/818

(76) Inventor: **Jiansheng Xiao**, No. 402, Block 13,
Area B, Tianming Garden, Zhongshan,
Guangdong (CN)

* cited by examiner

(**) Term: **14 Years**

Primary Examiner—Mitchell I Siegel

(74) *Attorney, Agent, or Firm*—Egbert Law Offices PLLC

(21) Appl. No.: **29/327,377**

(57) **CLAIM**

(22) Filed: **Nov. 4, 2008**

The ornamental design for the inflatable playground equip-
ment, as shown and described.

(51) **LOC (9) Cl.** **21-02**

(52) **U.S. Cl.** **D21/820; D21/835**

(58) **Field of Classification Search** D21/811,
D21/814, 818–822, 835; 472/116, 134; 482/77
See application file for complete search history.

DESCRIPTION

FIG. 1 is an upper perspective view of the inflatable play-
ground equipment showing my design.

FIG. 2 is a front view thereof;

FIG. 3 is a back view thereof;

FIG. 4 is a side view thereof;

FIG. 5 is an opposite side view thereof; and,

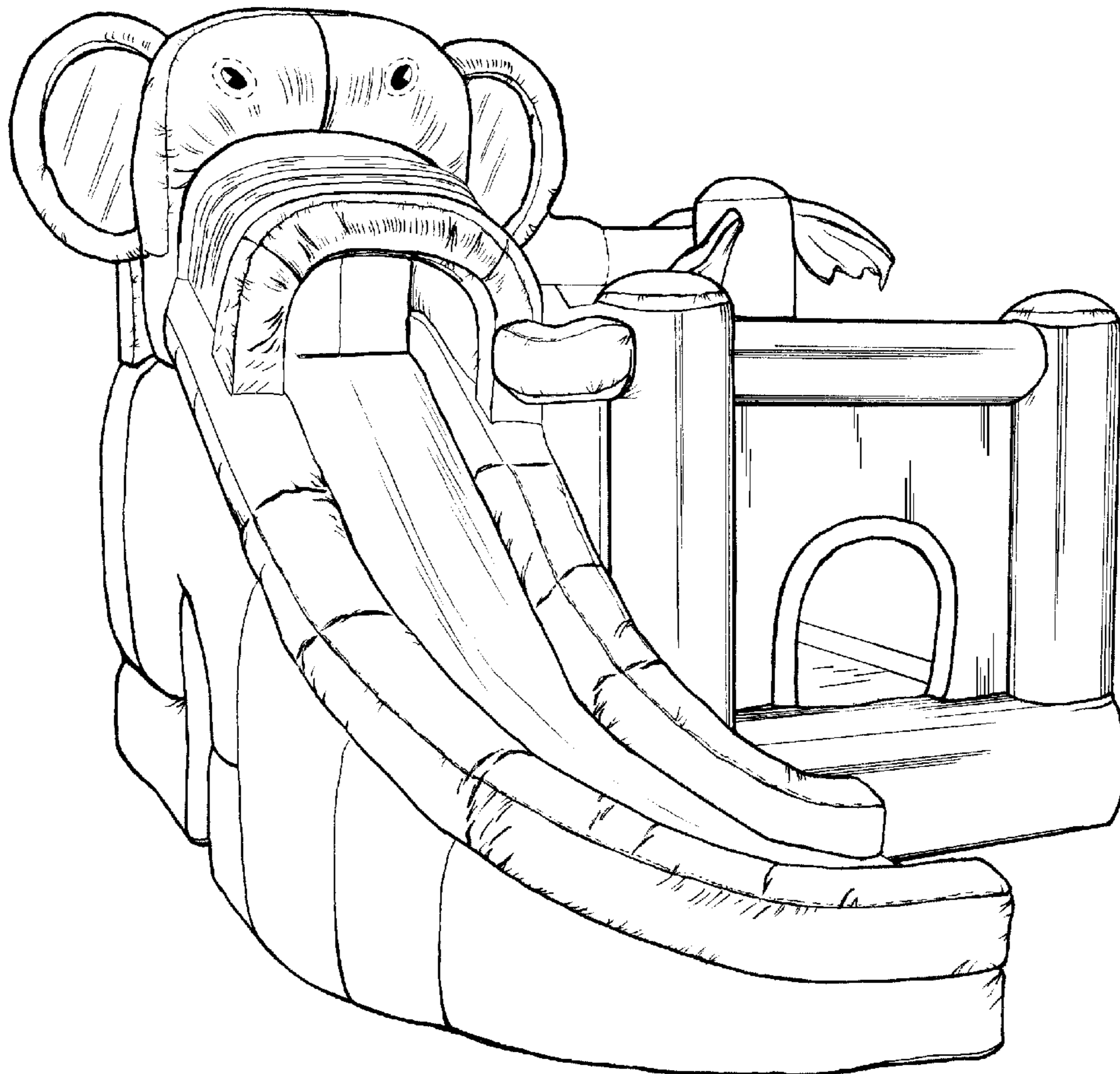
FIG. 6 is a top plan view thereof.

(56) **References Cited**

U.S. PATENT DOCUMENTS

D241,664 S * 9/1976 Ewers et al. D21/820
D441,825 S * 5/2001 Han D21/820
D520,590 S * 5/2006 Zeilinger et al. D21/818
D540,413 S * 4/2007 McKee et al. D21/818

1 Claim, 6 Drawing Sheets



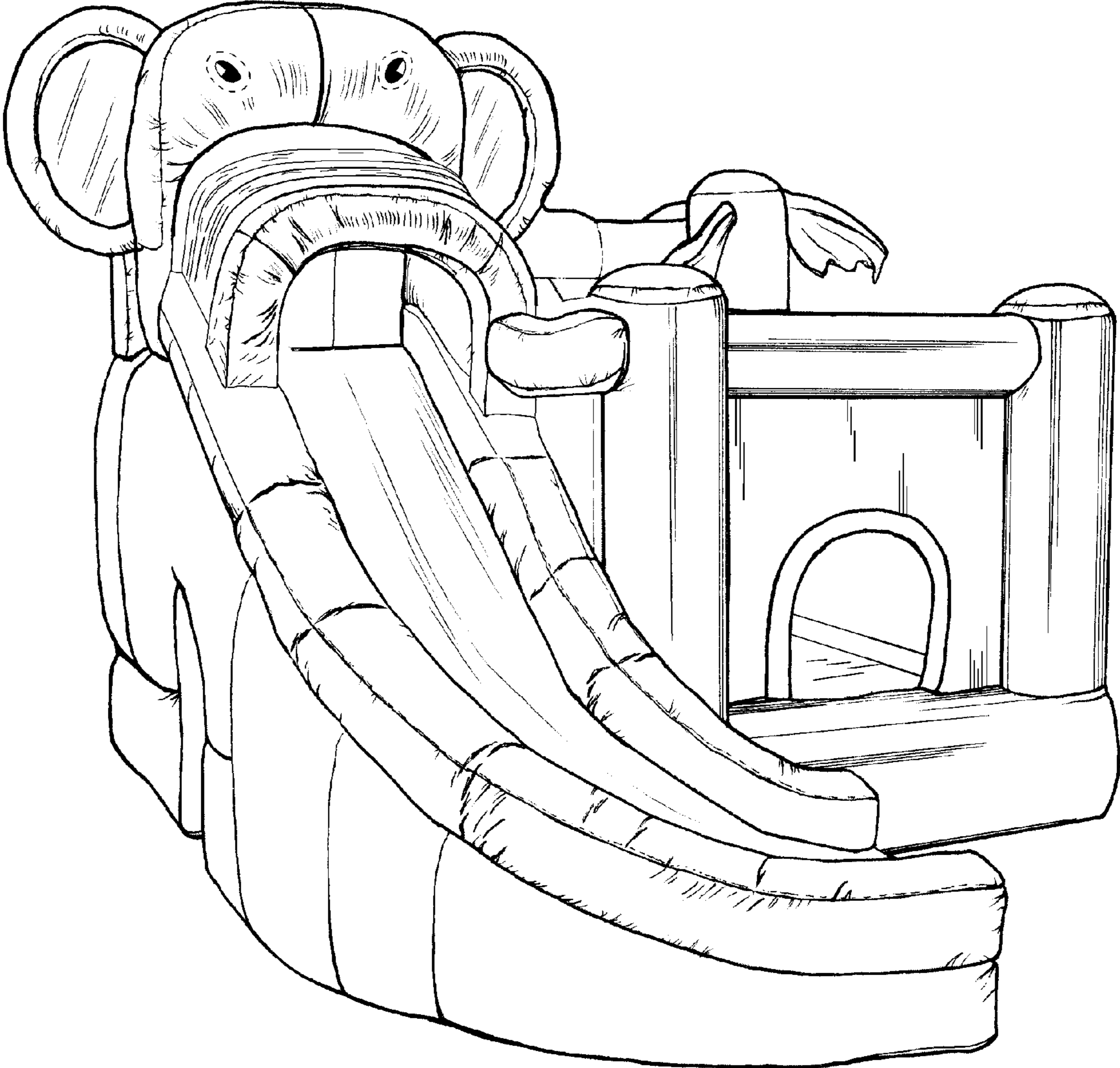


FIG. 1

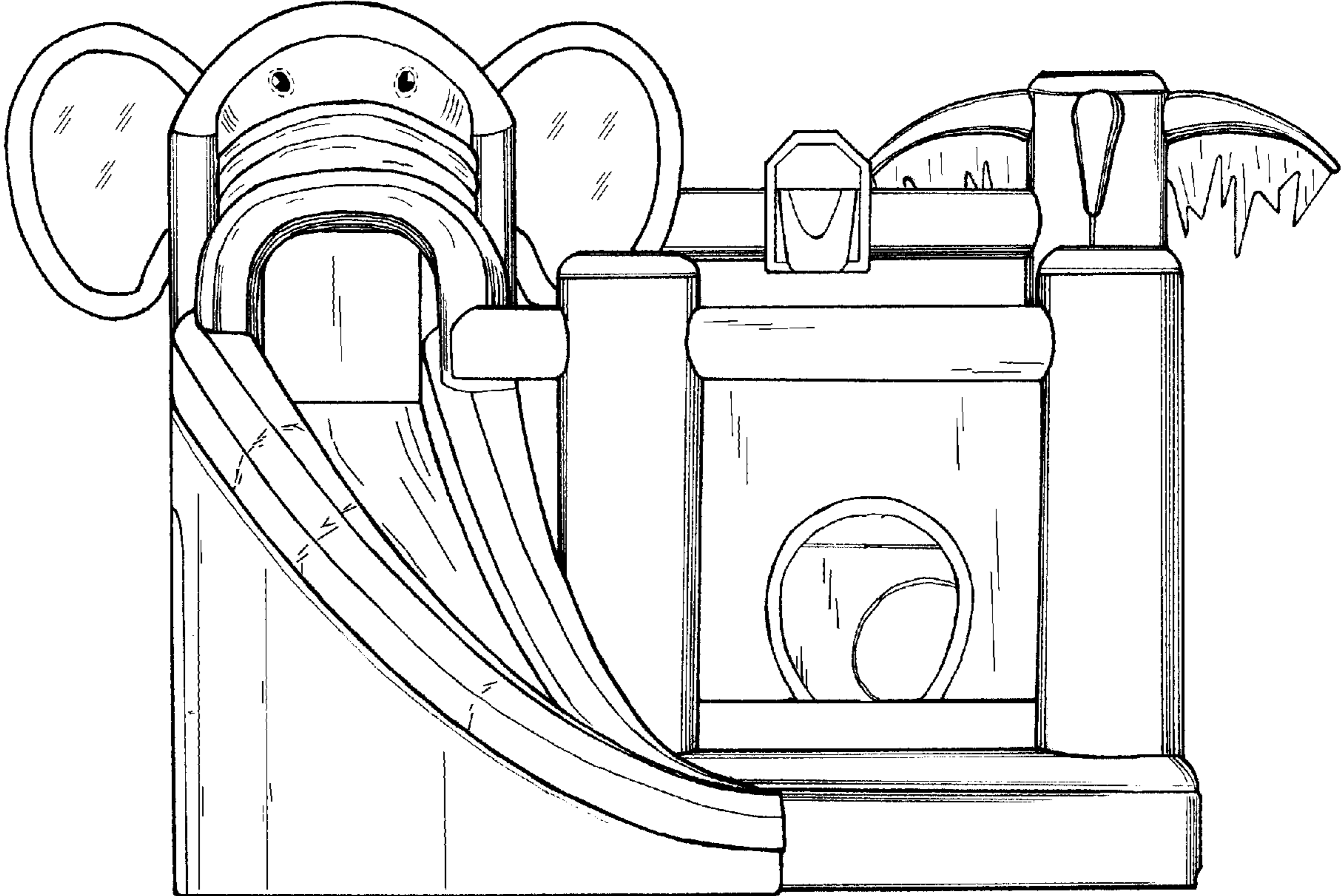


FIG. 2

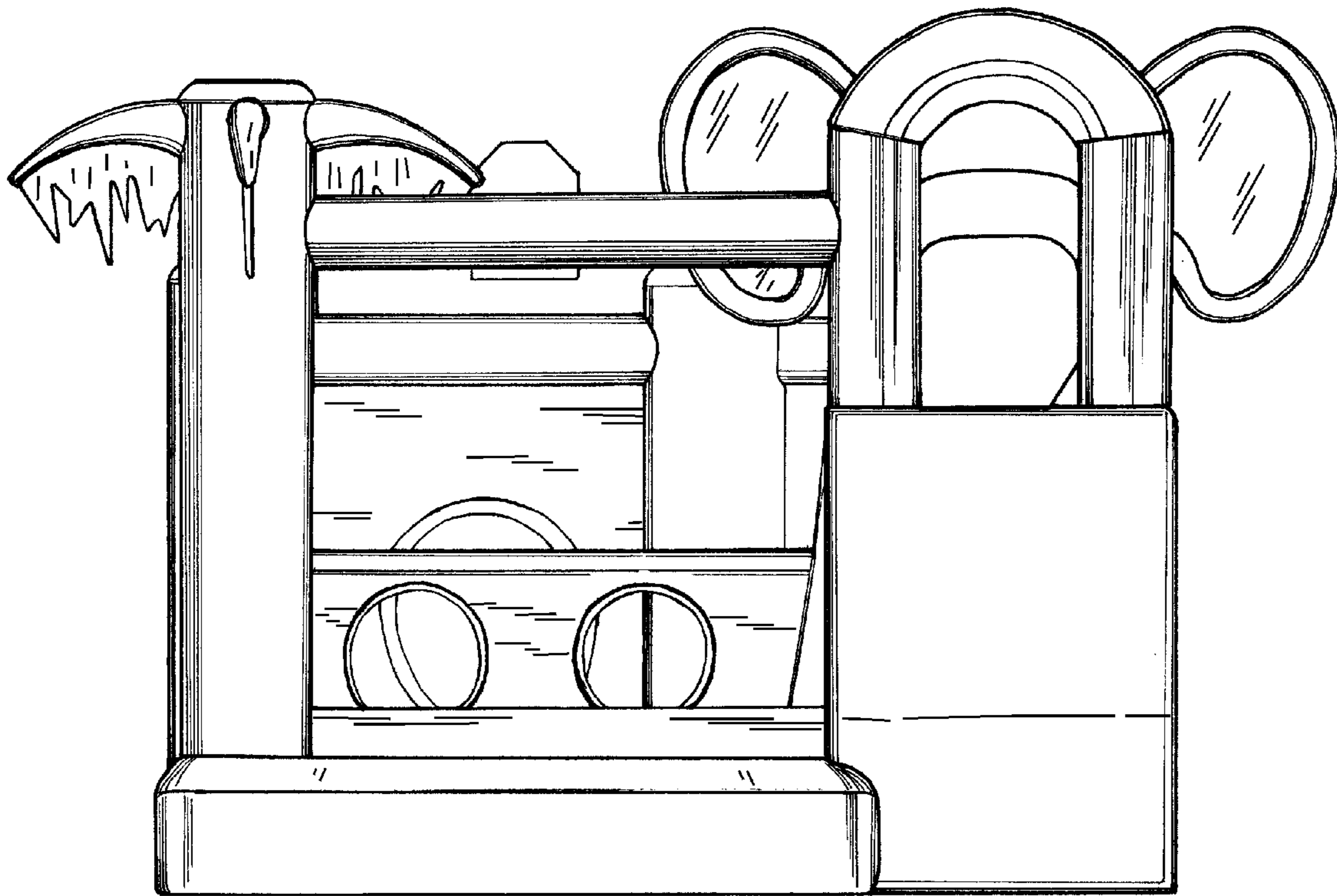


FIG. 3

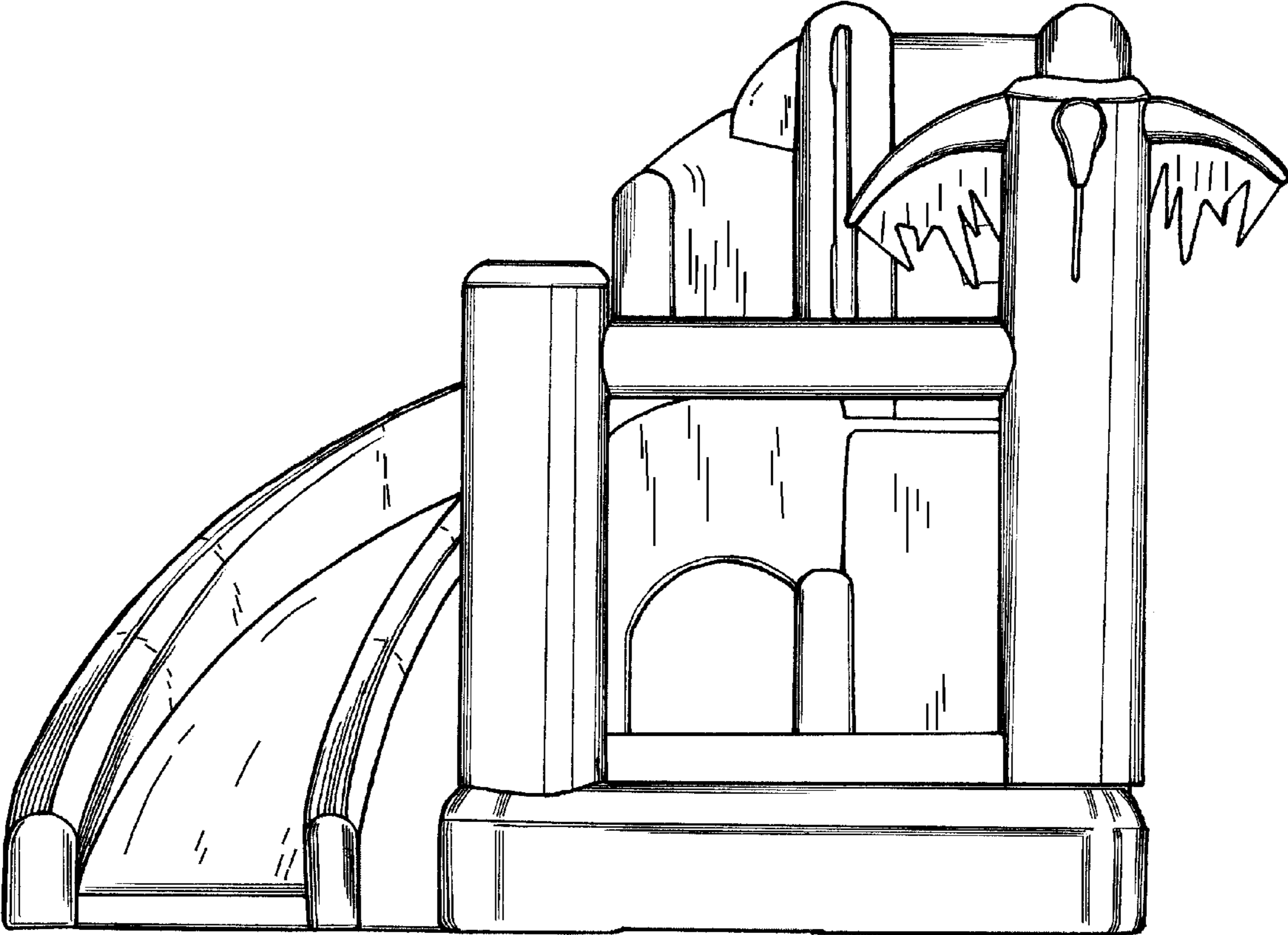


FIG. 4

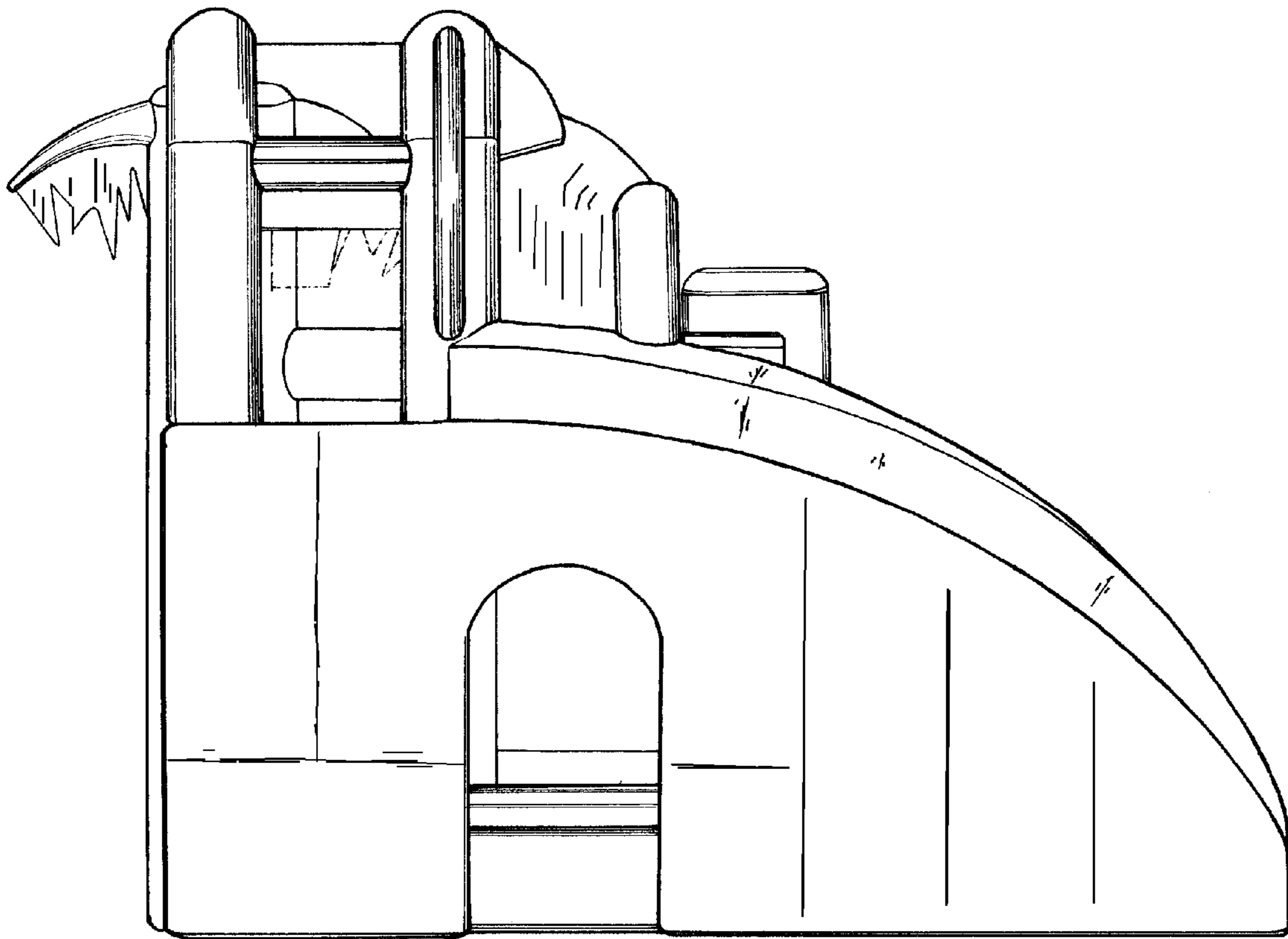


FIG. 5

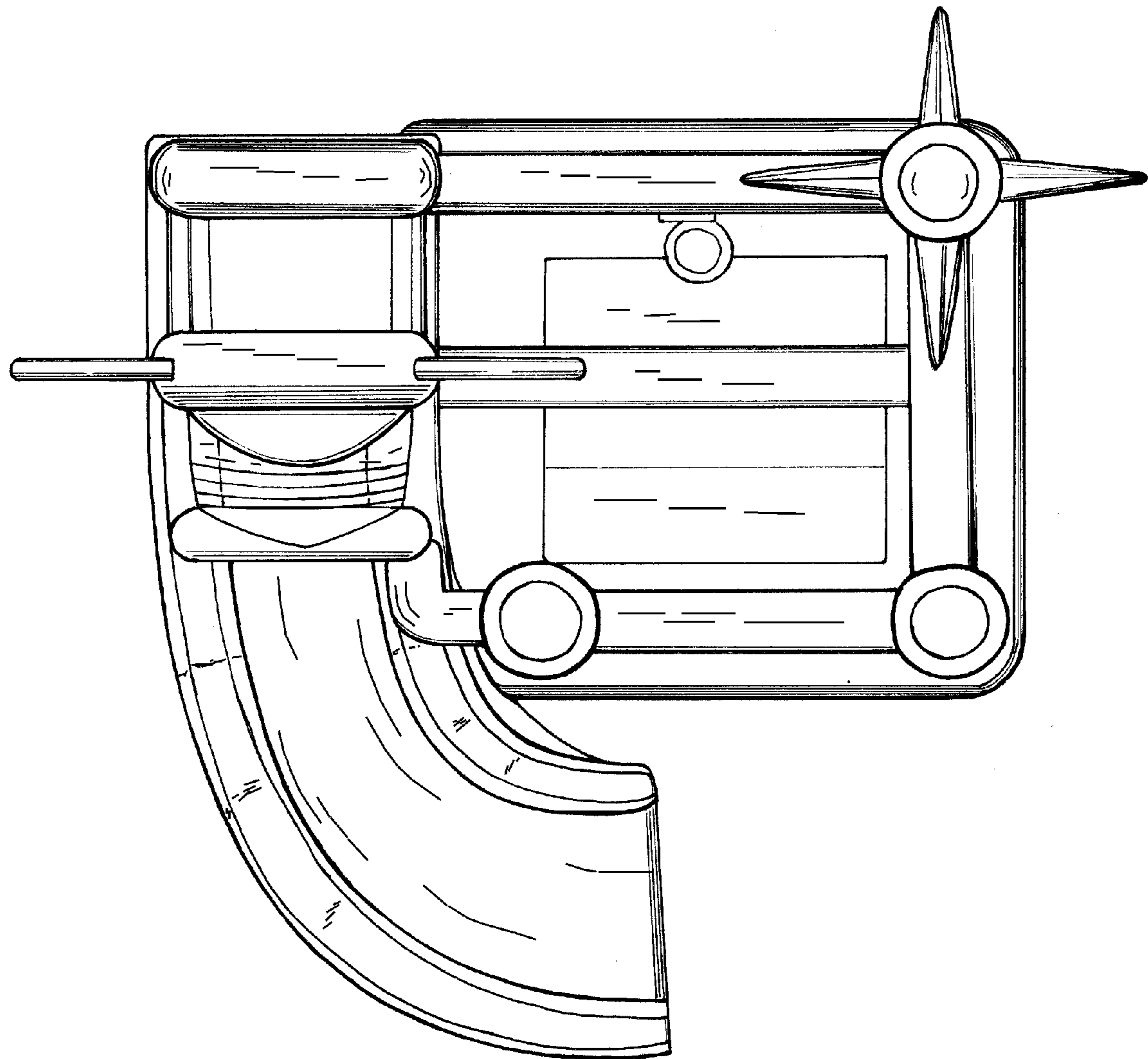


FIG. 6