



US00D600762S

(12) **United States Design Patent**
Serrano et al.

(10) **Patent No.:** **US D600,762 S**

(45) **Date of Patent:** **** Sep. 22, 2009**

(54) **GOLF CLUB HEAD**

(57) **CLAIM**

(75) Inventors: **Anthony D. Serrano**, Anthem, AZ (US);
Xiaojian Chen, Phoenix, AZ (US)

The ornamental design for a golf club head, as shown and described.

(73) Assignee: **Karsten Manufacturing Corporation**,
Phoenix, AZ (US)

DESCRIPTION

(**) Term: **14 Years**

FIG. 1 is a top perspective view of a golf club head;
FIG. 2 is a bottom perspective view of the golf club head of FIG. 1;

(21) Appl. No.: **29/335,832**

FIG. 3 is a front elevational view of the golf club head of FIG. 1;

(22) Filed: **Apr. 22, 2009**

FIG. 4 is a rear elevational view of the golf club head of FIG. 1;

(51) **LOC (9) Cl.** **21-02**

(52) **U.S. Cl.** **D21/743**

(58) **Field of Classification Search** D21/736-746;
473/324-331, 340-341, 251-256

FIG. 5 is a top view of the golf club head of FIG. 1;

FIG. 6 is a bottom view of the golf club head of FIG. 1;

FIG. 7 is a left side view of the golf club head of FIG. 1;

FIG. 8 is a right side view of the golf club head of FIG. 1;

See application file for complete search history.

FIG. 9 is a second embodiment of a top perspective view of a golf club head;

(56) **References Cited**

U.S. PATENT DOCUMENTS

D234,960 S	4/1975	Swash
D235,668 S	7/1975	Swash
D281,092 S	10/1985	Mills
D306,334 S	2/1990	Alcala
D310,115 S	8/1990	Iinuma

FIG. 10 is a bottom perspective view of the golf club head of FIG. 9;

FIG. 11 is a front elevational view of the golf club head of FIG. 9;

FIG. 12 is a rear elevational view of the golf club head of FIG. 9;

FIG. 13 is a top view of the golf club head of FIG. 9;

FIG. 14 is a bottom view of the golf club head of FIG. 9;

FIG. 15 is a left side view of the golf club head of FIG. 9; and,

FIG. 16 is a right side view of the golf club head of FIG. 9.

(Continued)

OTHER PUBLICATIONS

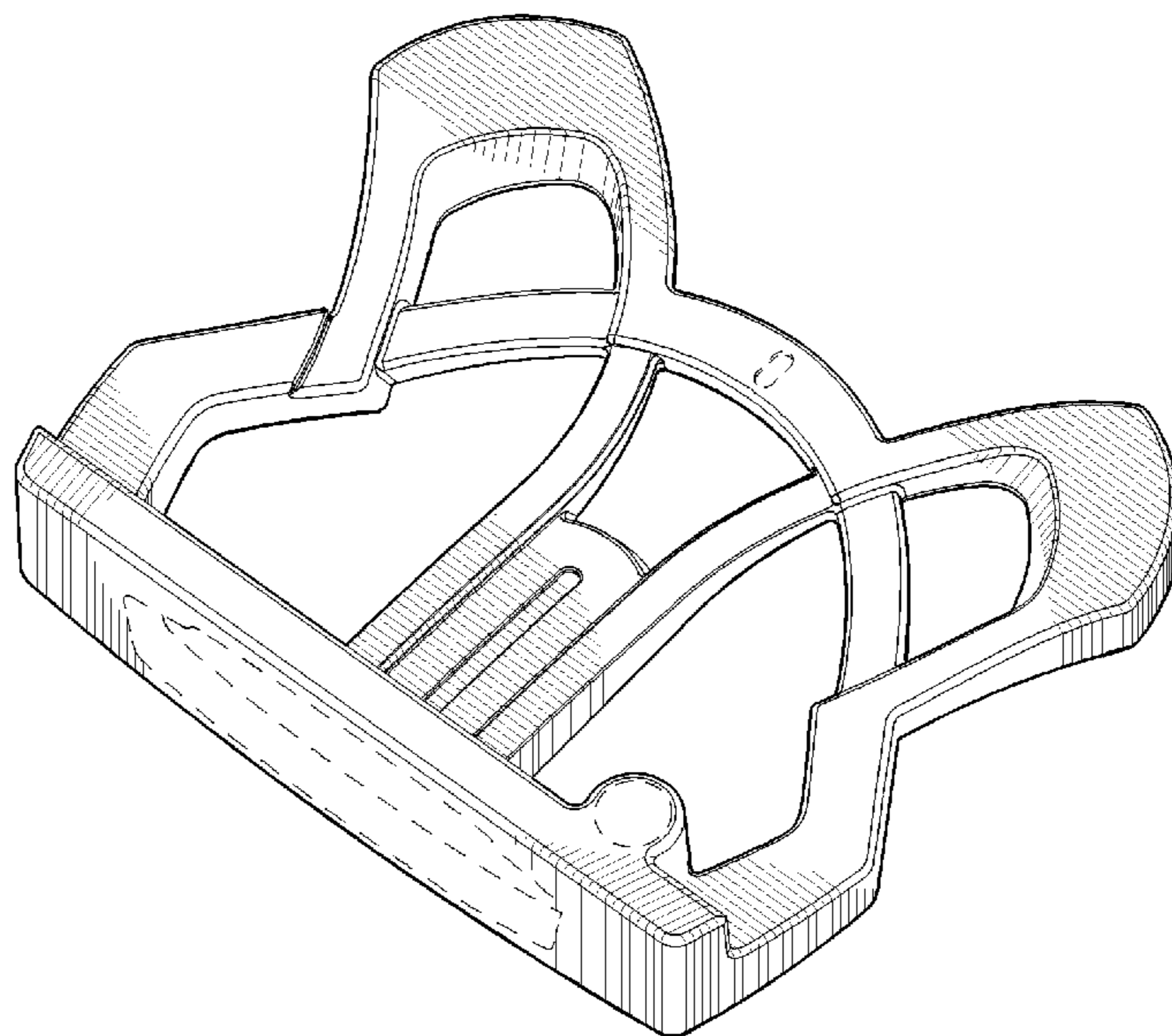
Anthony D. Serrano, et al., "Golf Club Head," U.S. Appl. No. 29/335,828, filed Apr. 22, 2009.

The broken lines shown in one or more of the figures are for illustrative purposes only and form no part of the claimed design.

(Continued)

Primary Examiner—Mitchell I Siegel

1 Claim, 8 Drawing Sheets



US D600,762 S

U.S. PATENT DOCUMENTS

D310,699 S	9/1990	Parente et al.		D548,294 S	8/2007	Nguyen et al.	
D324,895 S	3/1992	Antonious		D548,295 S	8/2007	Jertson et al.	
D335,315 S	5/1993	Shearer		D548,296 S	8/2007	Rollinson	
D344,564 S	2/1994	Oakleaf		7,255,650 B2	8/2007	Braynt et al.	
D372,752 S	8/1996	Raudman		D551,310 S	9/2007	Kuan et al.	
D385,935 S	11/1997	Cameron		D552,197 S *	10/2007	Wells et al.	D21/743
D396,080 S	7/1998	Bottema		D552,697 S	10/2007	Johnson	
D399,274 S	10/1998	Bradford		D553,207 S	10/2007	Johnson	
D410,267 S	5/1999	Solheim et al.		D560,263 S	1/2008	Rubino	
D426,599 S	6/2000	Morgan et al.		D564,606 S	3/2008	Oldknow et al.	
D438,273 S	2/2001	Sizemore, Jr.		D564,612 S	3/2008	Oldknow et al.	
D445,861 S	7/2001	Mills		D565,137 S	3/2008	Oldknow et al.	
D445,865 S	7/2001	Mills		D565,142 S	3/2008	Oldknow et al.	
D449,085 S	10/2001	Breier et al.		D565,678 S	4/2008	Cameron	
D474,253 S	5/2003	Mills		D570,934 S	6/2008	Ban et al.	
D483,823 S	12/2003	Swist		D570,943 S	6/2008	Chen et al.	
D485,320 S	1/2004	Breier et al.		D571,877 S	6/2008	Jones et al.	
D488,526 S	4/2004	Souza et al.		D571,878 S	6/2008	Jones et al.	
D499,782 S	12/2004	Stites et al.		D571,879 S	6/2008	Jones et al.	
D500,109 S	12/2004	Solheim et al.		D571,886 S	6/2008	Stites et al.	
D500,110 S	12/2004	Solheim et al.		D572,789 S	7/2008	Stites et al.	
D501,233 S *	1/2005	Thomas	D21/736	D574,457 S	8/2008	Stites et al.	
6,837,801 B1	1/2005	Souza et al.		D574,906 S	8/2008	Jones et al.	
6,893,355 B2	5/2005	Souza et al.		D574,907 S	8/2008	Jones et al.	
D506,237 S	6/2005	Byrne et al.		D574,909 S	8/2008	Jones et al.	
D507,612 S	7/2005	Souza et al.		D574,910 S	8/2008	Jones et al.	
D508,546 S	8/2005	Oldknow		D574,911 S	8/2008	Jones et al.	
6,926,615 B1	8/2005	Souza et al.		D574,912 S	8/2008	Jones et al.	
6,960,140 B2	11/2005	Solheim et al.		7,407,443 B2	8/2008	Franklin et al.	
6,968,645 B2	11/2005	Epps et al.		D578,593 S	10/2008	Oldknow et al.	
D513,050 S	12/2005	Grimaldo		D578,594 S	10/2008	Oldknow et al.	
D515,646 S	2/2006	Perry		D579,505 S	10/2008	Jones	
D520,583 S	5/2006	Rollinson et al.		7,452,283 B2	11/2008	Hettinger et al.	
D520,584 S	5/2006	Karlsen		7,455,599 B2	11/2008	Jones	
D521,582 S	5/2006	Souza et al.		D583,003 S	12/2008	Solheim et al.	
7,052,411 B2	5/2006	Solheim et al.		D584,780 S	1/2009	Ines et al.	
D522,598 S	6/2006	Solheim et al.		D587,325 S *	2/2009	Solheim et al.	D21/736
D523,102 S	6/2006	Stites et al.		2006/0116216 A1	6/2006	Sorenson	
D524,887 S	7/2006	Jones et al.		2007/0021230 A1	1/2007	Haack	
D525,328 S	7/2006	Solheim et al.		2007/0135232 A1	6/2007	Billings	
D525,329 S	7/2006	Jones et al.		2008/0293514 A1	11/2008	Franklin et al.	
D526,035 S *	8/2006	Hueber	D21/743	2009/0029800 A1	1/2009	Jones et al.	
D527,433 S *	8/2006	Hueber	D21/743				
7,086,957 B2	8/2006	Solheim et al.					
D527,777 S	9/2006	Solheim et al.					
D529,109 S	9/2006	Jones					
7,112,147 B2	9/2006	Solheim et al.					
D529,560 S	10/2006	Madore					
D529,564 S	10/2006	Grace					
D532,066 S	11/2006	Tang					
D532,842 S	11/2006	Jones et al.					
D532,843 S	11/2006	Jones et al.					
D533,243 S *	12/2006	Fife et al.	D21/736				
D533,609 S	12/2006	Moore et al.					
D534,978 S	1/2007	Rollinson et al.					
D537,135 S	2/2007	Rollinson et al.					
D538,364 S	3/2007	Frame et al.					
D540,411 S	4/2007	Bradford et al.					
D540,897 S	4/2007	Oldknow et al.					
D541,362 S	4/2007	Oldknow					
D542,871 S	5/2007	Oldknow					
D542,873 S	5/2007	Oldknow					
D545,385 S	6/2007	Tang et al.					
7,235,021 B2	6/2007	Solheim et al.					
D547,405 S	7/2007	Serrano et al.					

OTHER PUBLICATIONS

Anthony D. Serrano, et al., "Golf Club Head," U.S. Appl. No. 29/335,827, filed Apr. 22, 2009.

Anthony D. Serrano, et al., "Golf Club Head," U.S. Appl. No. 29/335,825, filed Apr. 22, 2009.

Anthony D. Serrano, et al., "Golf Club Head," U.S. Appl. No. 29/335,811, filed Apr. 22, 2009.

Anthony D. Serrano, et al., "Golf Club Head," U.S. Appl. No. 29/335,808, filed Apr. 22, 2009.

Anthony D. Serrano, et al., "Golf Club Head," U.S. Appl. No. 29/335,806, filed Apr. 22, 2009.

Anthony D. Serrano, et al., "Golf Club Head," U.S. Appl. No. 29/335,797, filed Apr. 22, 2009.

Anthony D. Serrano, et al., "Badge for a Golf Club Head," U.S. Appl. No. 29/335,796, filed Apr. 22, 2009.

Solheim, et al., "Golf Club Head with Three-Dimensional Alignment Aid and Method of Manufacture," U.S. Appl. No. 12/164,956, filed Jun. 30, 2008.

Solheim, et al., "Golf Club Head with a Three-Dimensional Alignment Member and Methods to Manufacture Golf Club Heads," U.S. Appl. No. 12/425,637, filed Apr. 17, 2009.

* cited by examiner

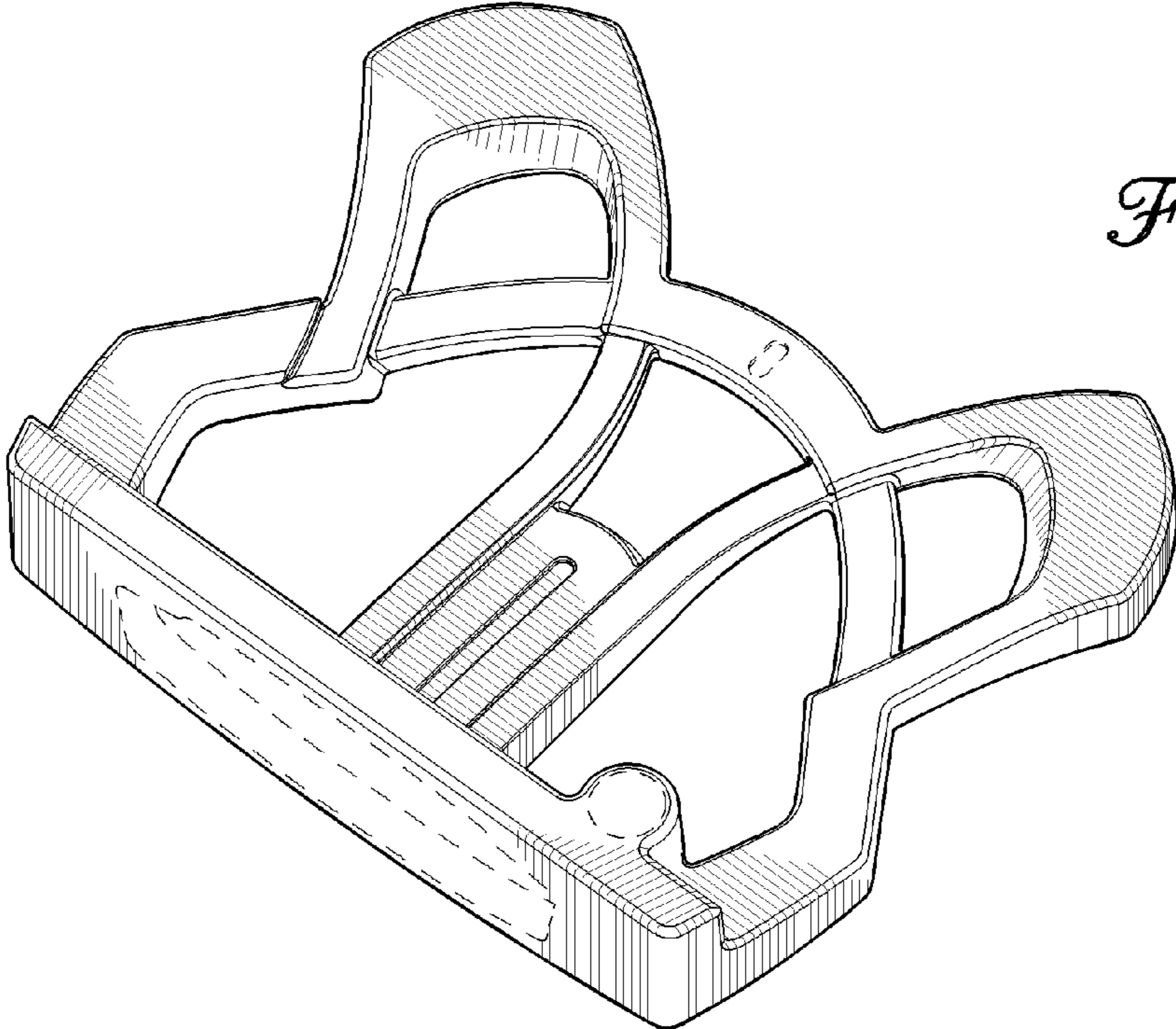


Fig. 1

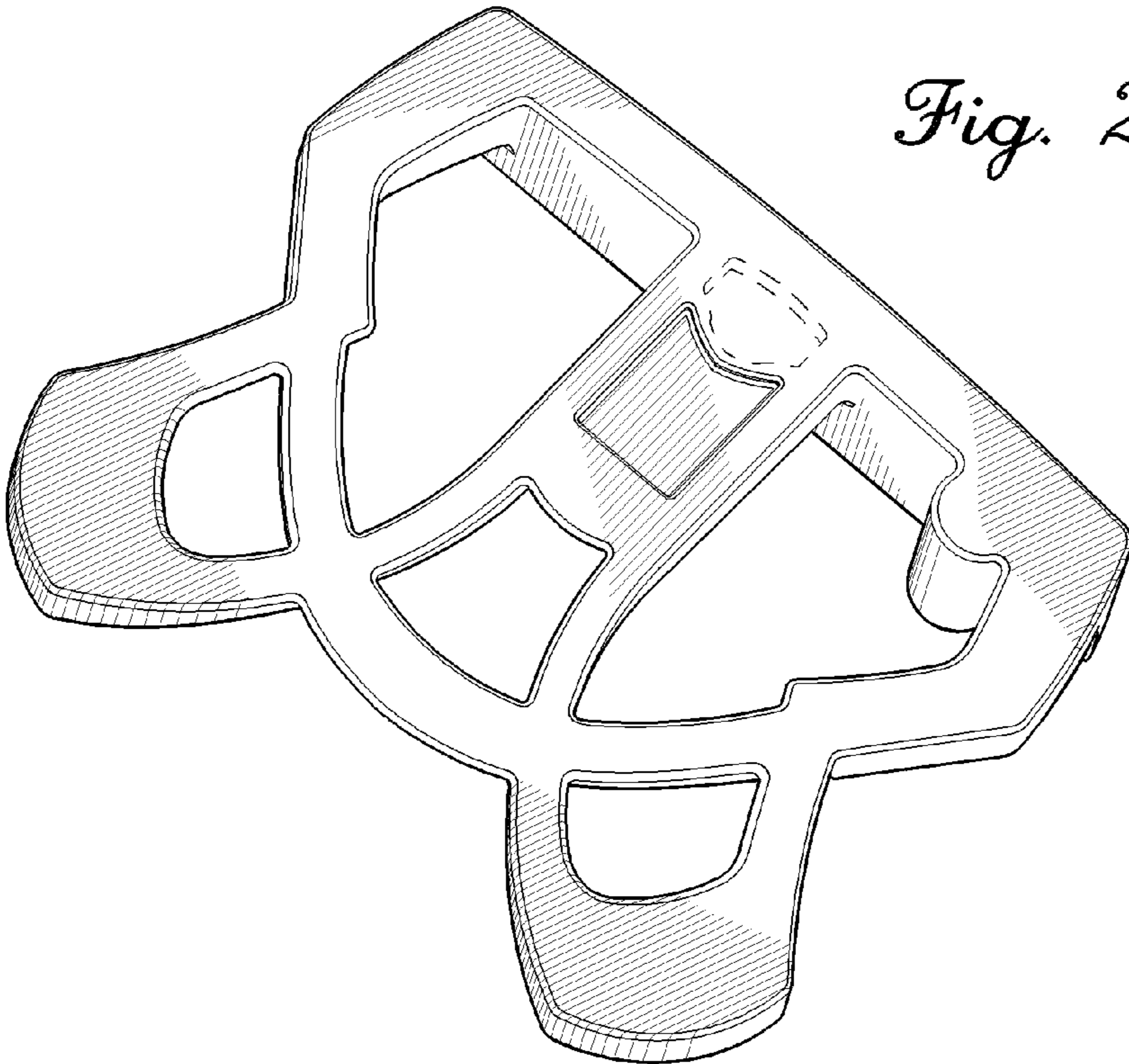


Fig. 2

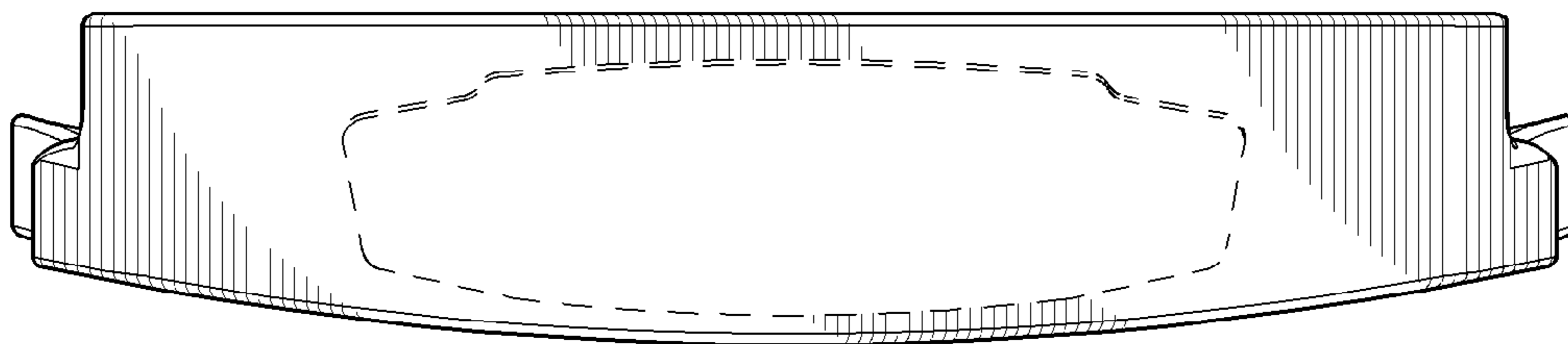


Fig. 3

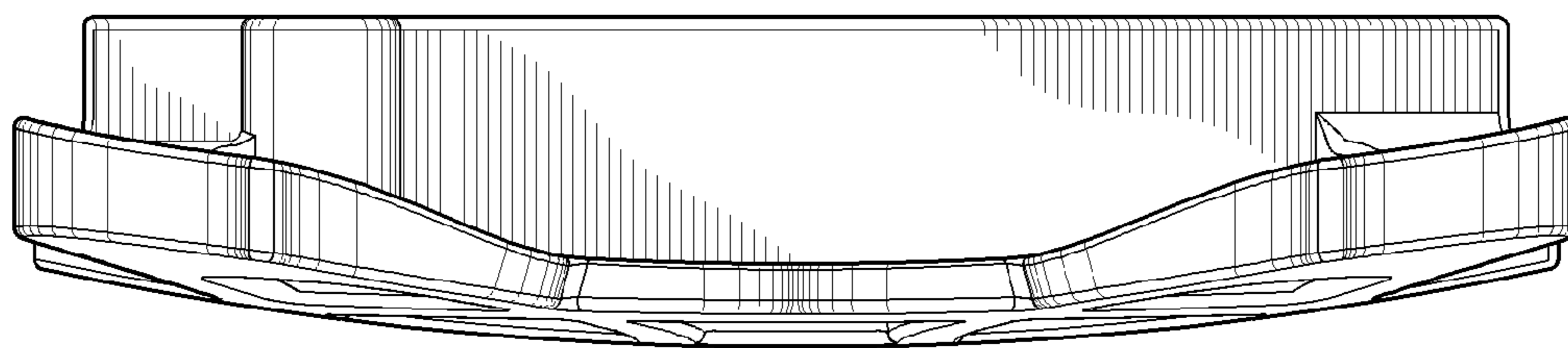


Fig. 4

Fig. 5

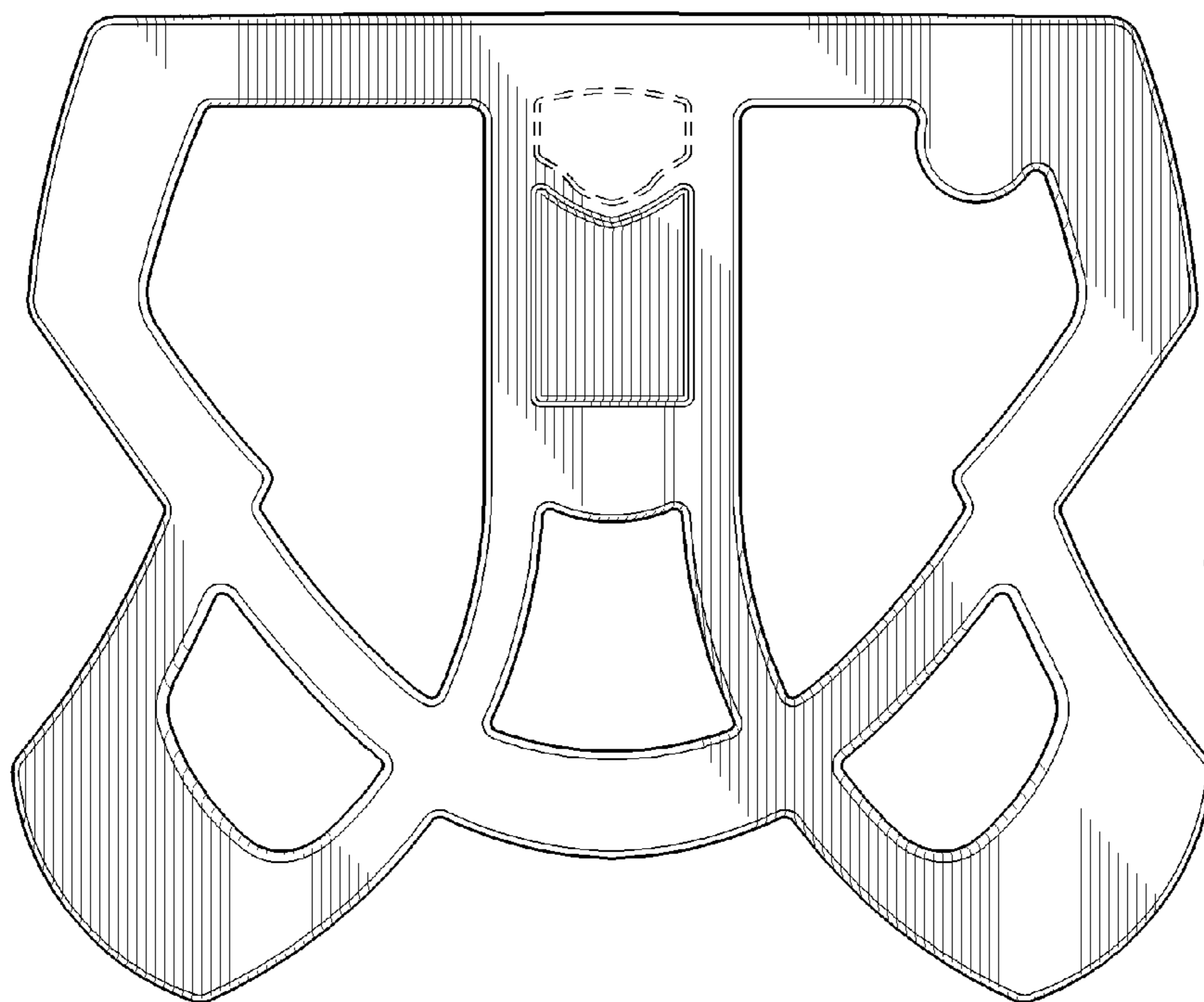
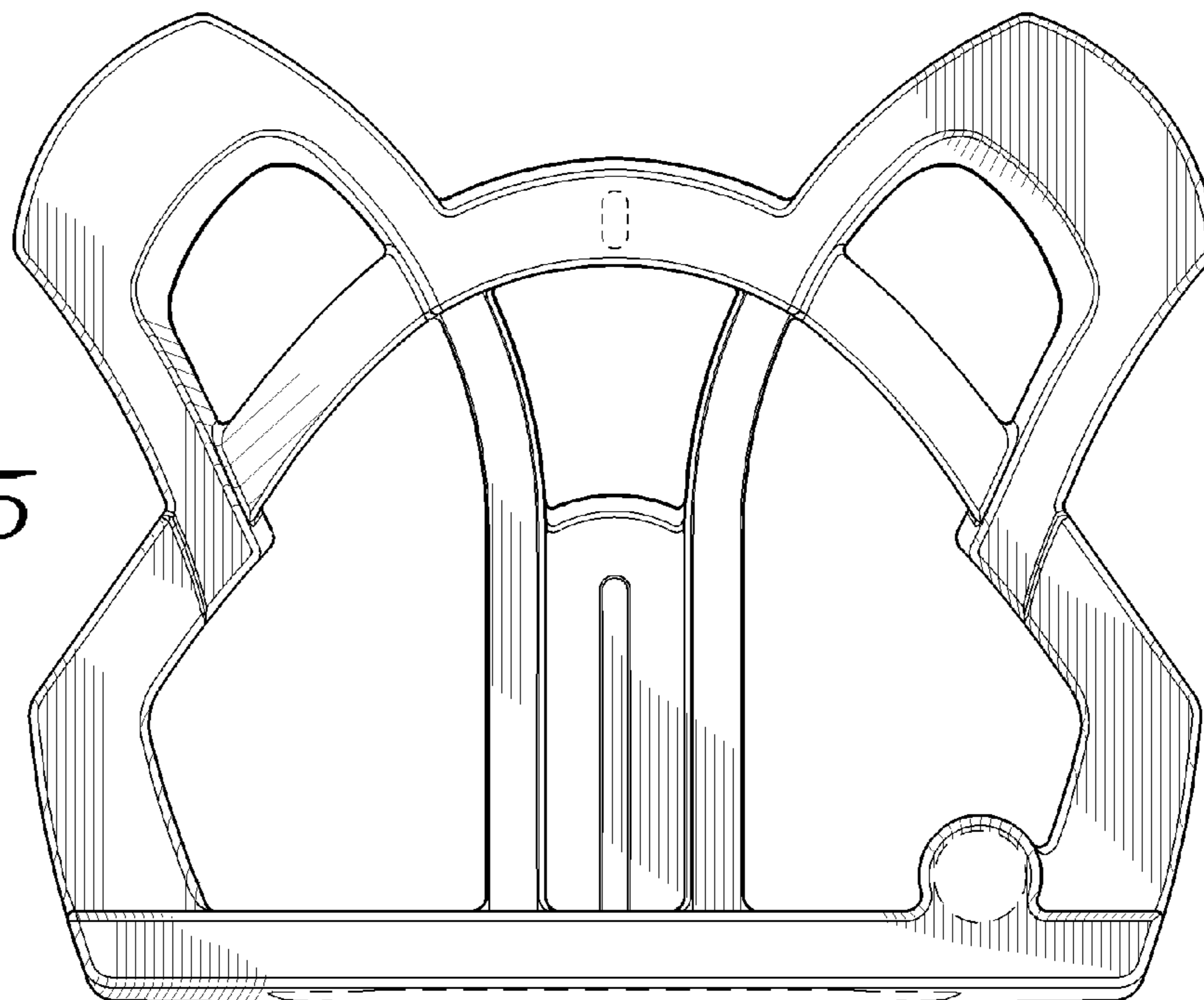


Fig. 6

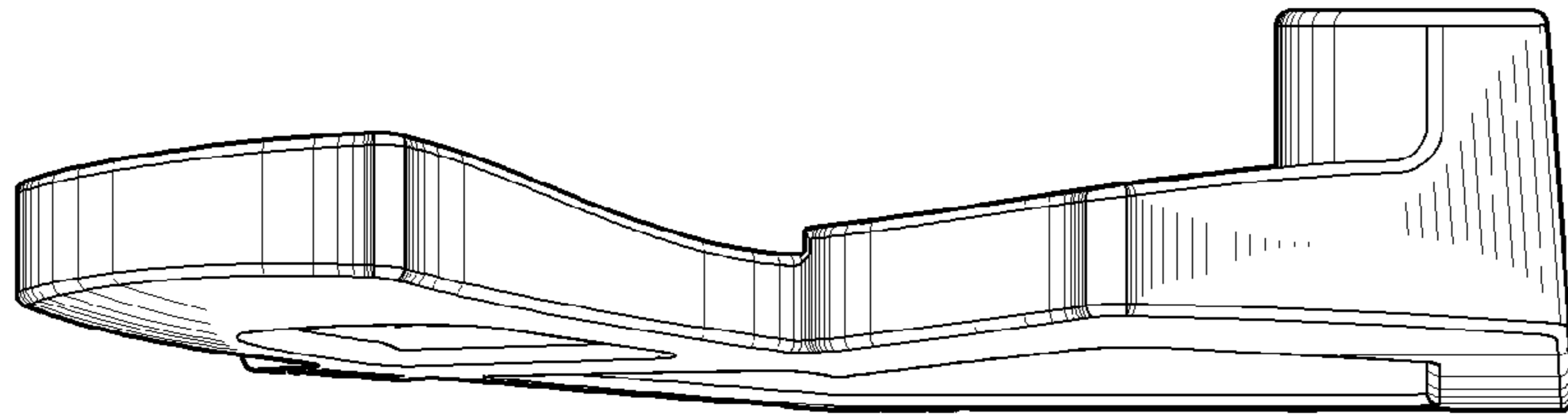


Fig. 7

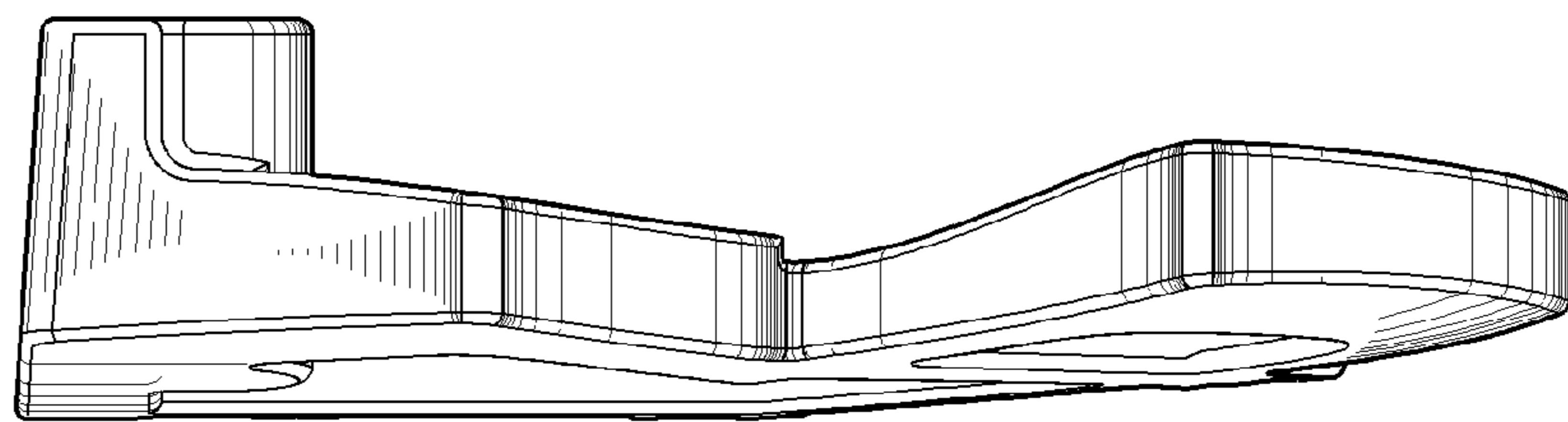


Fig. 8

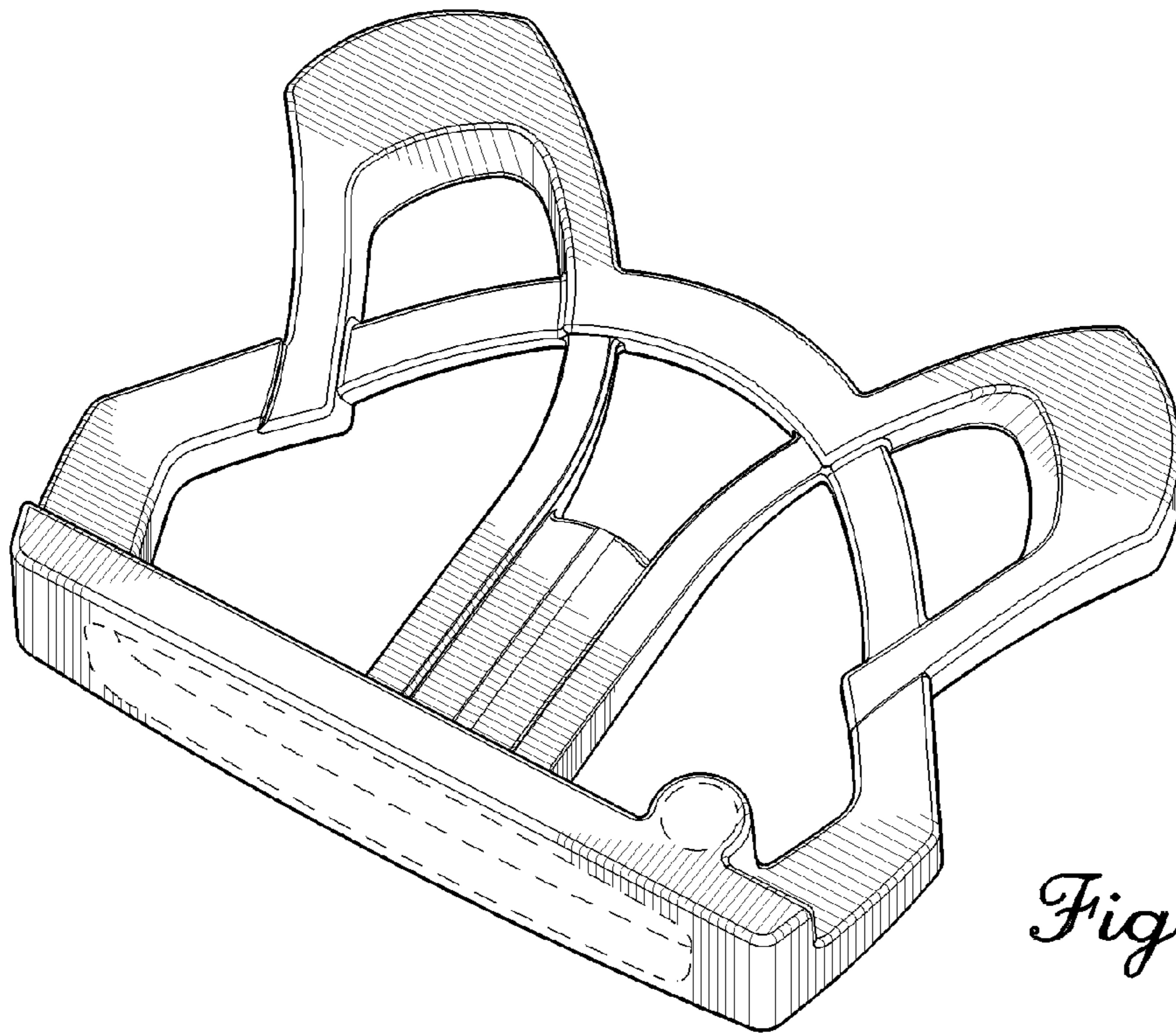


Fig. 9

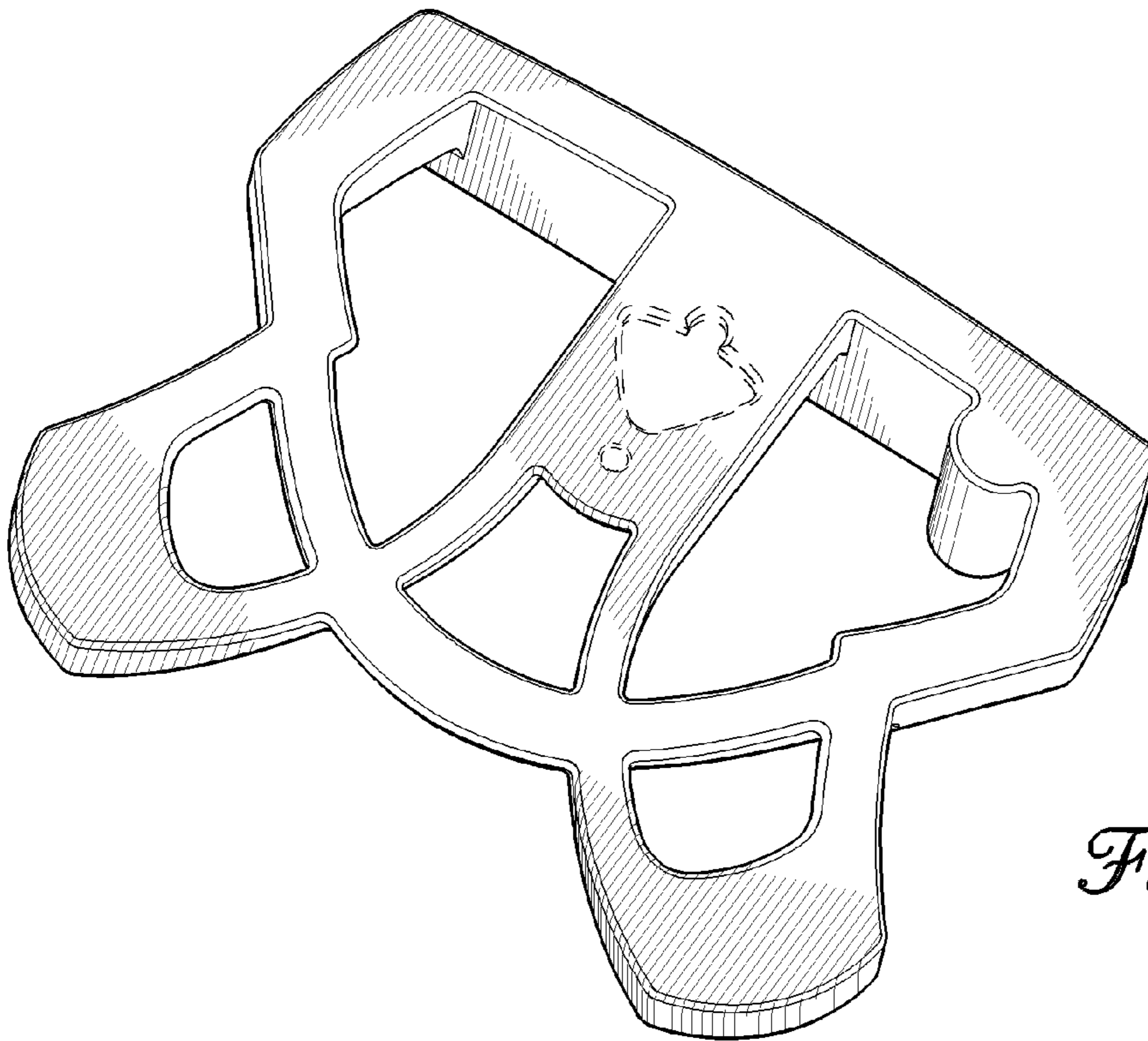


Fig. 10

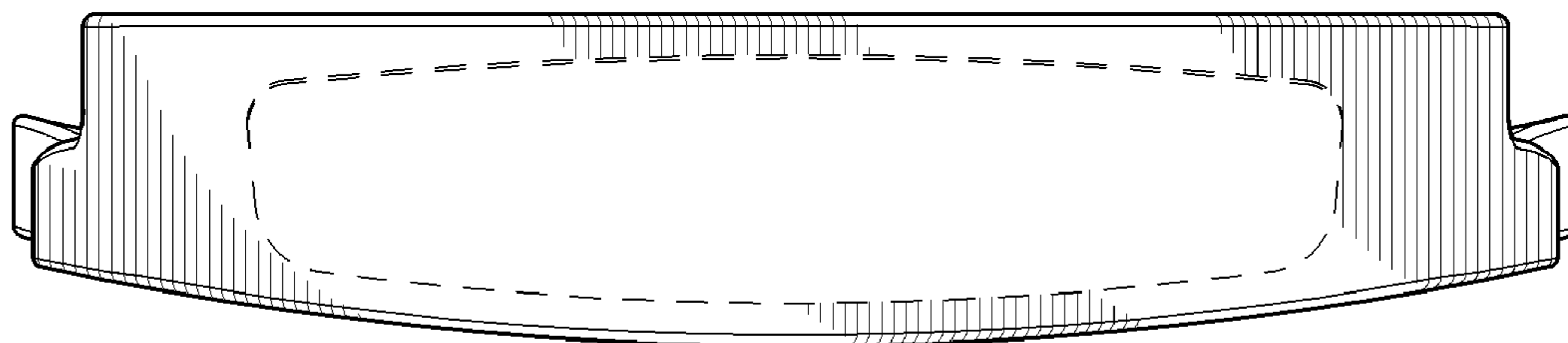


Fig. 11

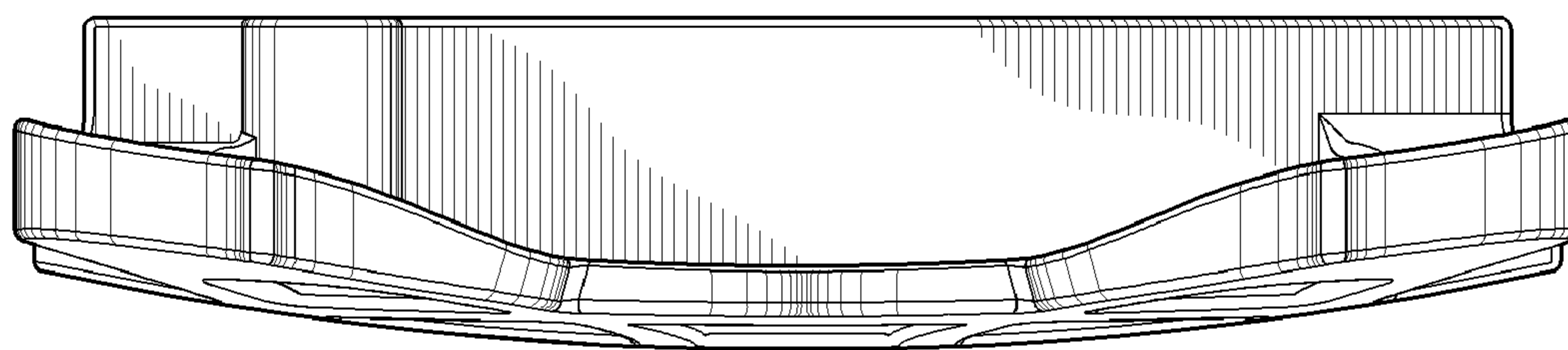


Fig. 12

Fig. 13

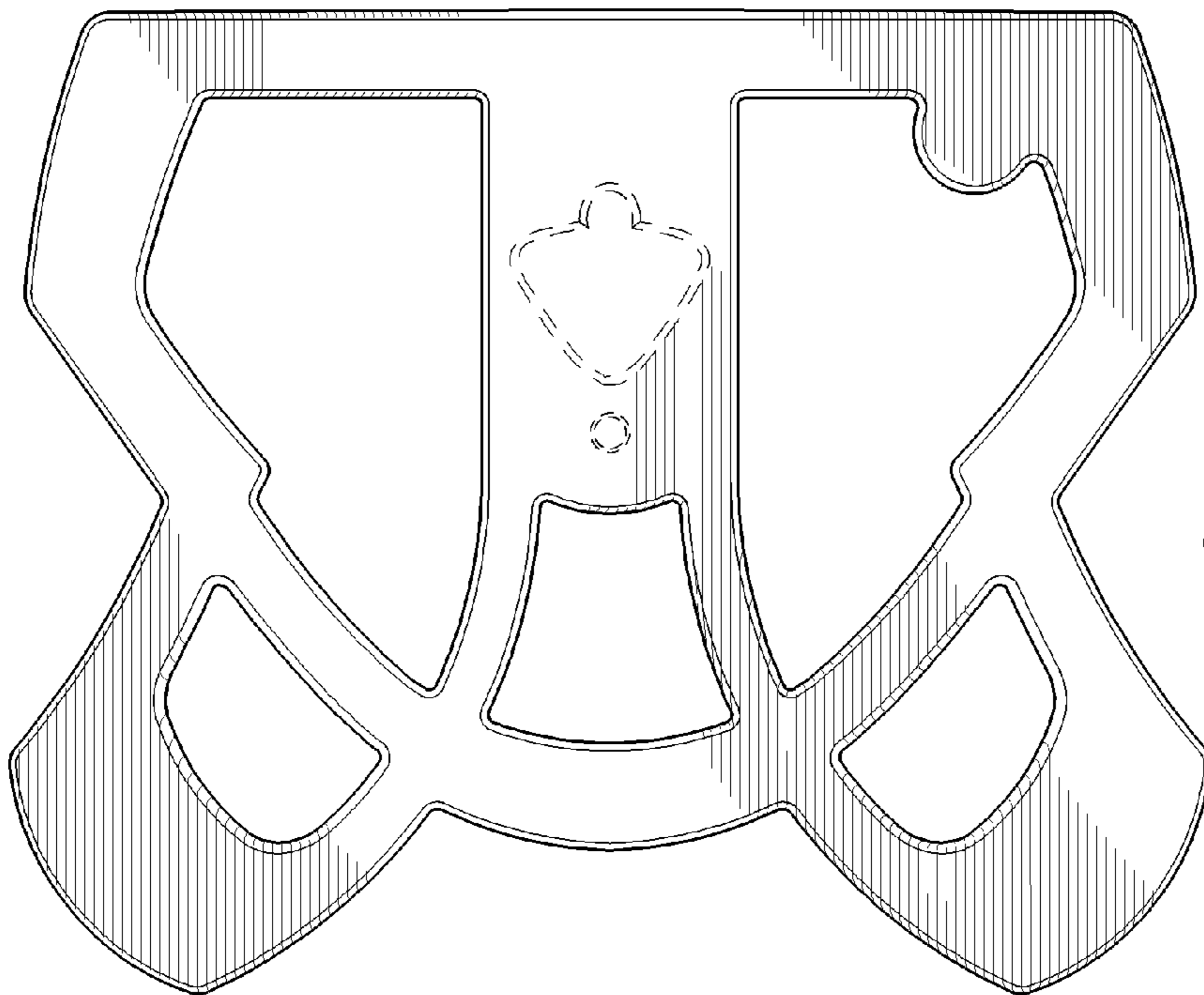
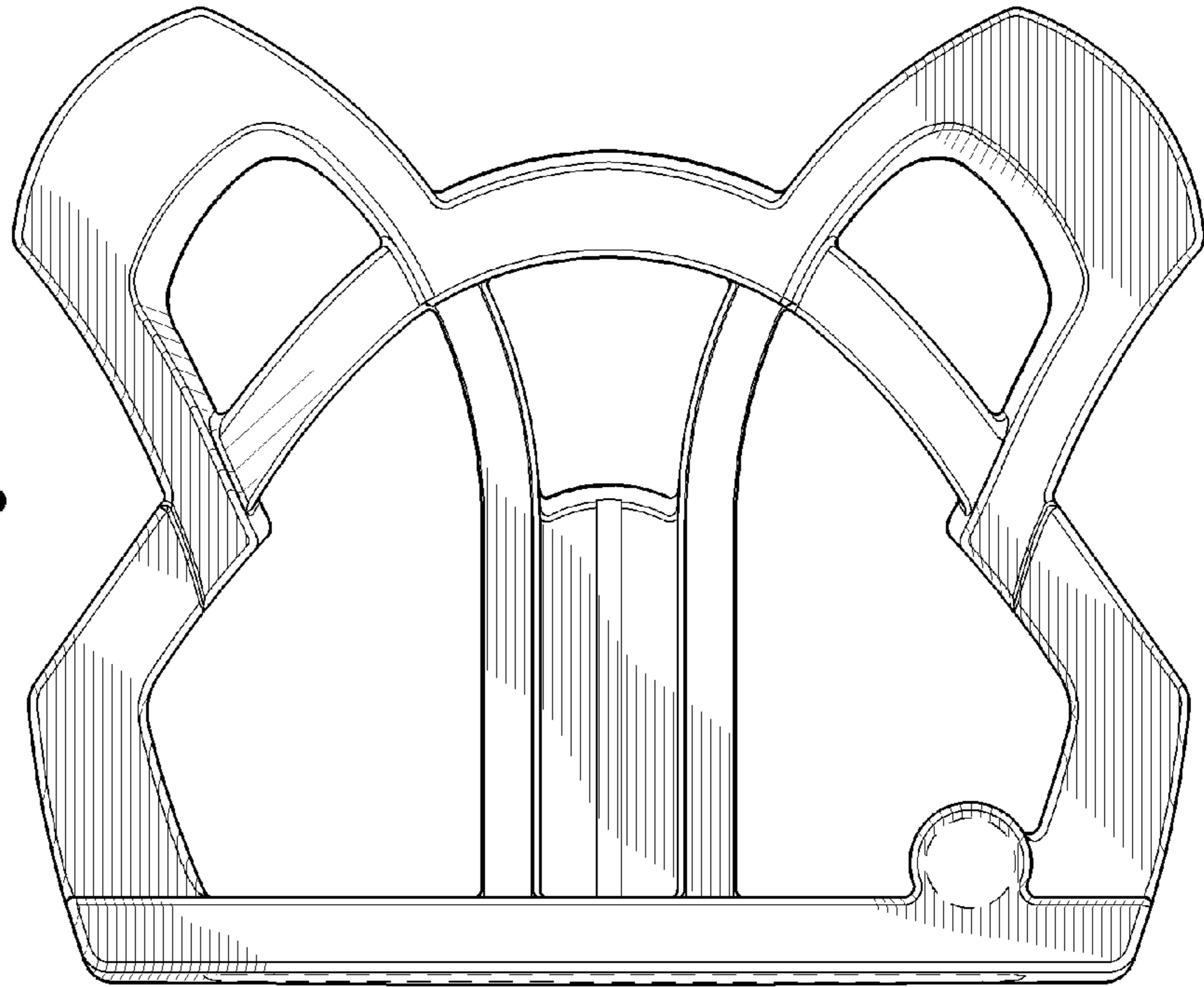


Fig. 14

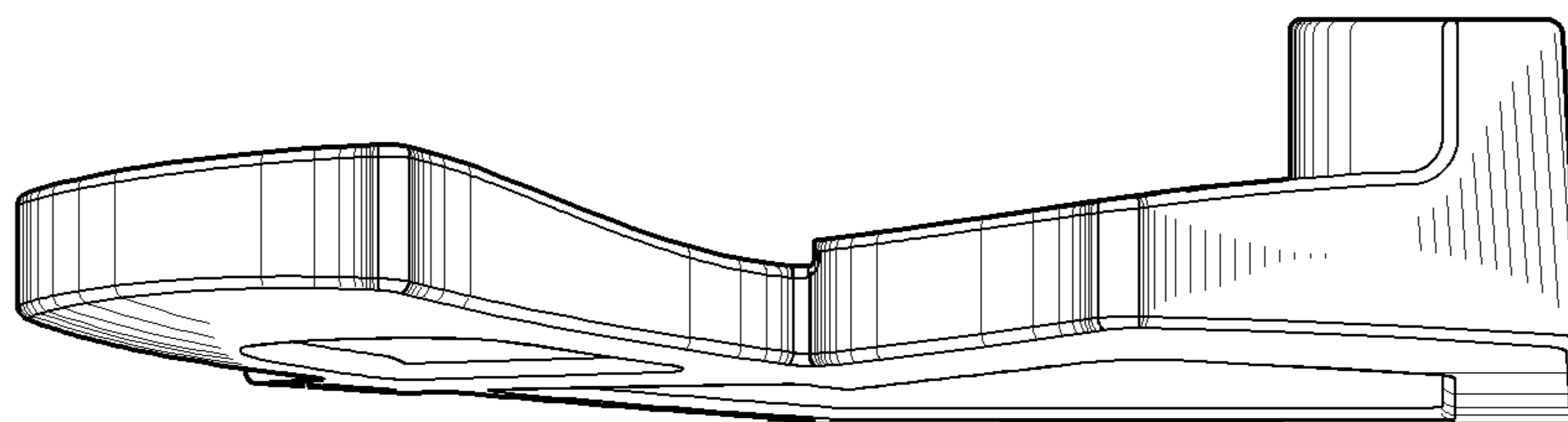


Fig. 15

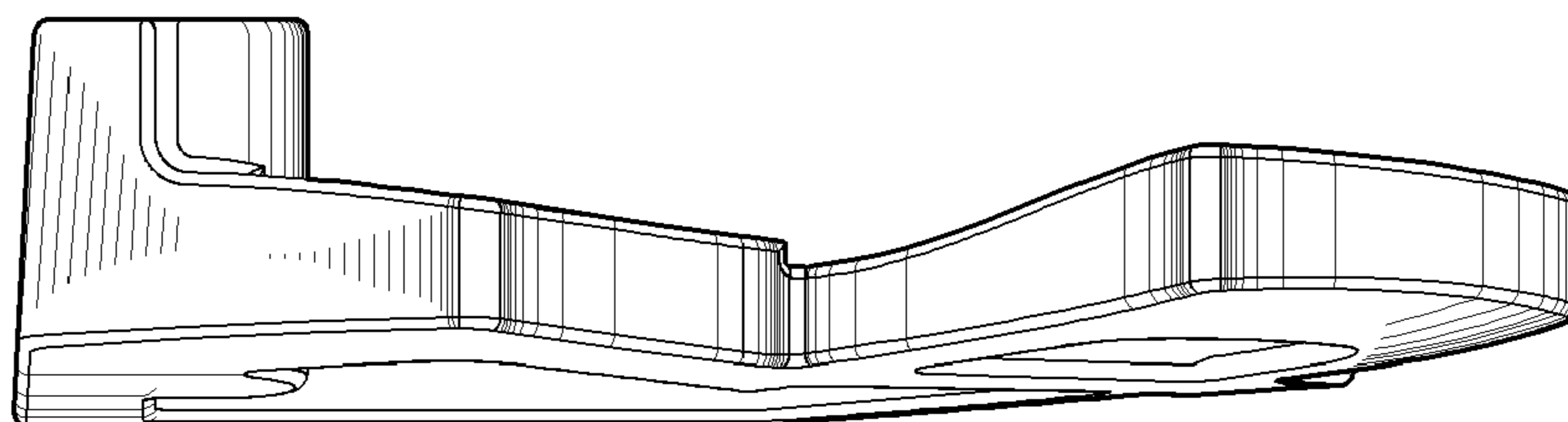


Fig. 16