



US00D600760S

(12) **United States Design Patent**
Serrano et al.

(10) **Patent No.:** **US D600,760 S**

(45) **Date of Patent:** **** Sep. 22, 2009**

(54) **GOLF CLUB HEAD**

(75) Inventors: **Anthony D. Serrano**, Anthem, AZ (US);
Xiaojian Chen, Phoenix, AZ (US)

(73) Assignee: **Karsten Manufacturing Corporation**,
Phoenix, AZ (US)

(**) Term: **14 Years**

(21) Appl. No.: **29/335,808**

(22) Filed: **Apr. 22, 2009**

(51) **LOC (9) Cl.** **21-02**

(52) **U.S. Cl.** **D21/736**

(58) **Field of Classification Search** D21/736-746;
473/324-331, 340-341

See application file for complete search history.

(56) **References Cited**

U.S. PATENT DOCUMENTS

D234,960 S	4/1975	Swash
D235,668 S	7/1975	Swash
D281,092 S	10/1985	Mills
D306,334 S	2/1990	Alcala
D310,115 S	8/1990	Iinuma
D310,699 S	9/1990	Parente et al.
D324,895 S	3/1992	Antonious
D335,315 S	5/1993	Shearer
D344,564 S	2/1994	Oakleaf
D372,752 S	8/1996	Raudman
D385,935 S	11/1997	Cameron
D396,080 S	7/1998	Bottema
D399,274 S	10/1998	Bradford
D410,267 S	5/1999	Solheim et al.
D426,599 S	6/2000	Morgan et al.
D438,273 S	2/2001	Sizemore, Jr.
D445,861 S	7/2001	Mills
D445,865 S	7/2001	Mills
D449,085 S	10/2001	Breier et al.
D474,253 S	5/2003	Mills
D483,823 S	12/2003	Swist
D485,320 S	1/2004	Breier et al.
D488,526 S	4/2004	Souza et al.
D499,782 S	12/2004	Stites et al.

D500,109 S	*	12/2004	Solheim et al.	D21/736
D500,110 S	*	12/2004	Solheim et al.	D21/742
D501,233 S		1/2005	Thomas		
6,837,801 B1		1/2005	Souza et al.		
6,893,355 B2		5/2005	Souza et al.		
D506,237 S		6/2005	Byrne et al.		
D507,612 S		7/2005	Souza et al.		
D508,546 S		8/2005	Oldknow		

(Continued)

OTHER PUBLICATIONS

Anthony D. Serrano, et al., "Golf Club Head," U.S. Appl. No. 29/335,832, filed Apr. 22, 2009.

(Continued)

Primary Examiner—Mitchell I Siegel

(57) **CLAIM**

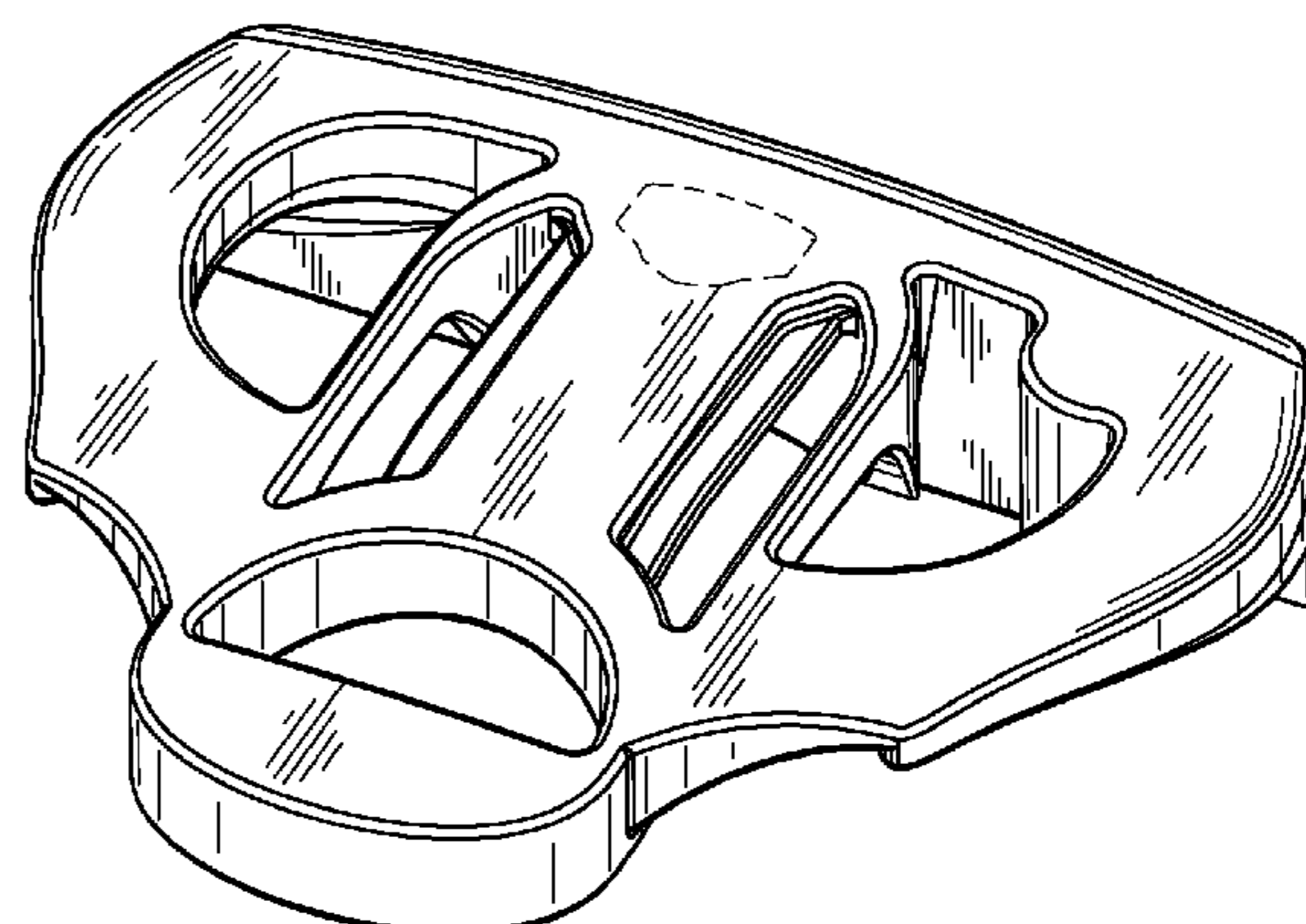
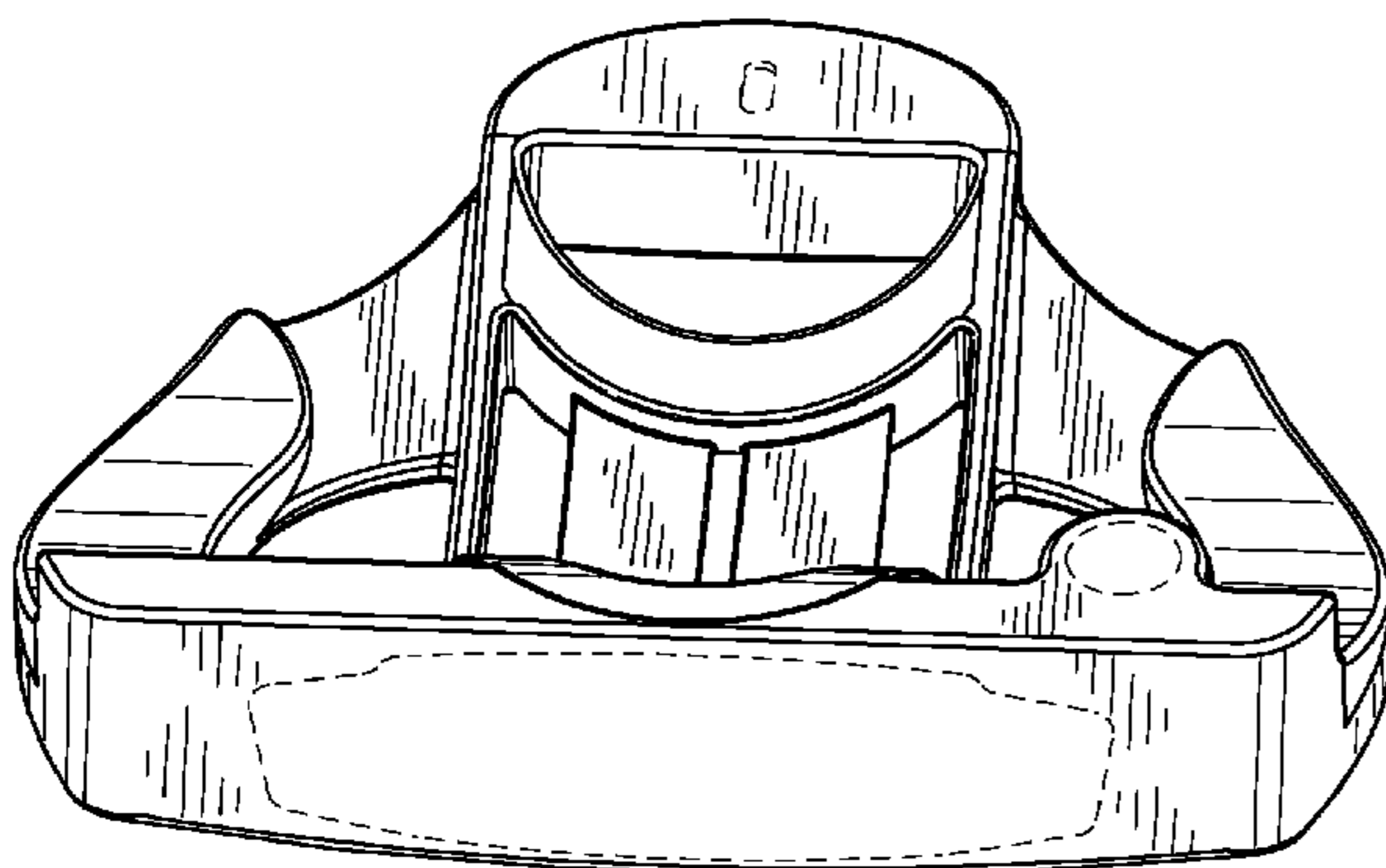
The ornamental design for a golf club head, as shown and described.

DESCRIPTION

FIG. 1 is a top perspective view of a golf club head;
 FIG. 2 is a bottom perspective view of the golf club head of FIG. 1;
 FIG. 3 is a front elevational view of the golf club head of FIG. 1;
 FIG. 4 is a rear elevational view of the golf club head of FIG. 1;
 FIG. 5 is a top view of the golf club head of FIG. 1;
 FIG. 6 is a bottom view of the golf club head of FIG. 1;
 FIG. 7 is a left side view of the golf club head of FIG. 1; and,
 FIG. 8 is a right side view of the golf club head of FIG. 1.

The broken lines shown in one or more of the figures are for illustrative purposes only and form no part of the claimed design.

1 Claim, 4 Drawing Sheets



US D600,760 S

U.S. PATENT DOCUMENTS

6,926,615	B1	8/2005	Souza et al.			D570,934	S 6/2008 Ban et al.
6,960,140	B2 *	11/2005	Solheim et al.	473/251		D570,943	S 6/2008 Chen et al.
6,968,645	B2	11/2005	Epps et al.			D571,877	S 6/2008 Jones et al.
D513,050	S	12/2005	Grimaldo			D571,878	S 6/2008 Jones et al.
D515,646	S	2/2006	Perry			D571,879	S * 6/2008 Jones et al.
D520,583	S	5/2006	Rollinson et al.			D571,886	S 6/2008 Stites et al.
D520,584	S	5/2006	Karlsen			D572,789	S 7/2008 Stites et al.
D521,582	S	5/2006	Souza et al.			D574,457	S 8/2008 Stites et al.
7,052,411	B2	5/2006	Solheim et al.			D574,906	S 8/2008 Jones et al.
D522,598	S *	6/2006	Solheim et al.	D21/742		D574,907	S 8/2008 Jones et al.
D523,102	S	6/2006	Stites et al.			D574,909	S 8/2008 Jones et al.
D524,887	S	7/2006	Jones et al.			D574,910	S 8/2008 Jones et al.
D525,328	S	7/2006	Solheim et al.			D574,911	S 8/2008 Jones et al.
D525,329	S	7/2006	Jones et al.			D574,912	S 8/2008 Jones et al.
D527,433	S	8/2006	Hueber			7,407,443	B2 8/2008 Franklin et al.
7,086,957	B2	8/2006	Solheim et al.			D578,593	S 10/2008 Oldknow et al.
D527,777	S	9/2006	Solheim et al.			D578,594	S 10/2008 Oldknow et al.
D529,109	S	9/2006	Jones			D579,505	S 10/2008 Jones
7,112,147	B2	9/2006	Solheim et al.			7,452,283	B2 11/2008 Hettinger et al.
D529,560	S	10/2006	Madore			7,455,599	B2 11/2008 Jones
D529,564	S	10/2006	Grace			D583,003	S 12/2008 Solheim et al.
D532,066	S	11/2006	Tang			D584,780	S 1/2009 Ines et al.
D532,842	S *	11/2006	Jones et al.	D21/736		D587,325	S 2/2009 Solheim et al.
D532,843	S *	11/2006	Jones et al.	D21/736		2006/0116216	A1 6/2006 Sorenson
D533,243	S	12/2006	Fife, Jr. et al.			2007/0021230	A1 1/2007 Haack
D533,609	S	12/2006	Moore et al.			2007/0135232	A1 6/2007 Billings
D534,978	S	1/2007	Rollinson et al.			2008/0293514	A1 11/2008 Franklin et al.
D537,135	S	2/2007	Rollinson et al.			2009/0029800	A1 1/2009 Jones et al.
D538,364	S	3/2007	Frame et al.				
D540,411	S	4/2007	Bradford et al.				
D540,897	S	4/2007	Oldknow et al.				
D541,362	S	4/2007	Oldknow				
D542,871	S	5/2007	Oldknow				
D542,873	S	5/2007	Oldknow				
D545,385	S	6/2007	Tang et al.				
7,235,021	B2	6/2007	Solheim et al.				
D547,405	S	7/2007	Serrano et al.				
D548,294	S	8/2007	Nguyen et al.				
D548,295	S	8/2007	Jertson et al.				
D548,296	S	8/2007	Rollinson				
7,255,650	B2	8/2007	Braynt et al.				
D551,310	S	9/2007	Kuan et al.				
D552,197	S	10/2007	Wells et al.				
D552,697	S	10/2007	Johnson				
D553,207	S	10/2007	Johnson				
D560,263	S	1/2008	Rubino				
D564,606	S	3/2008	Oldknow et al.				
D564,612	S	3/2008	Oldknow et al.				
D565,137	S	3/2008	Oldknow et al.				
D565,142	S	3/2008	Oldknow et al.				
D565,678	S	4/2008	Cameron				

OTHER PUBLICATIONS

Anthony D. Serrano, et al., "Golf Club Head," U.S. Appl. No. 29/335,828, filed Apr. 22, 2009.

Anthony D. Serrano, et al., "Golf Club Head," U.S. Appl. No. 29/335,827, filed Apr. 22, 2009.

Anthony D. Serrano, et al., "Golf Club Head," U.S. Appl. No. 29/335,825, filed Apr. 22, 2009.

Anthony D. Serrano, et al., "Golf Club Head," U.S. Appl. No. 29/335,811, filed Apr. 22, 2009.

Anthony D. Serrano, et al., "Golf Club Head," U.S. Appl. No. 29/335,806, filed Apr. 22, 2009.

Anthony D. Serrano, et al., "Golf Club Head," U.S. Appl. No. 29/335,797, filed Apr. 22, 2009.

Anthony D. Serrano, et al., "Badge for a Golf Club Head," U.S. Appl. No. 29/335,796, filed Apr. 22, 2009.

Solheim, et al., "Golf Club Head with Three-Dimensional Alignment Aid and Method to Manufacture," U.S. Appl. No. 12/164,956, filed Jun. 30, 2008.

Solheim, et al., "Golf Club Head with a Three-Dimensional Alignment Member and Methods to Manufacture Golf Club Heads," U.S. Appl. No. 12/425,637, filed Apr. 17, 2009.

* cited by examiner

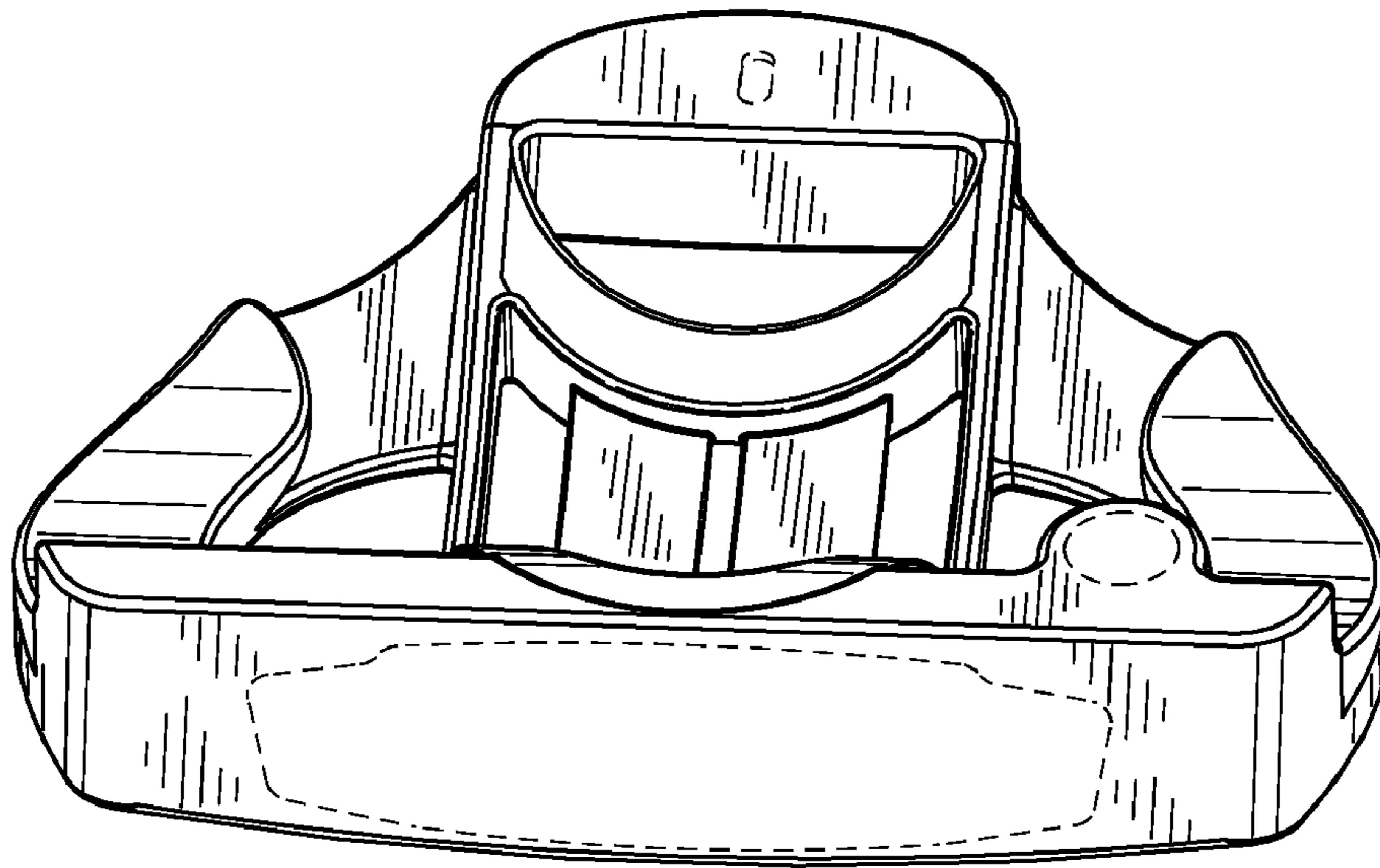


FIG. 1

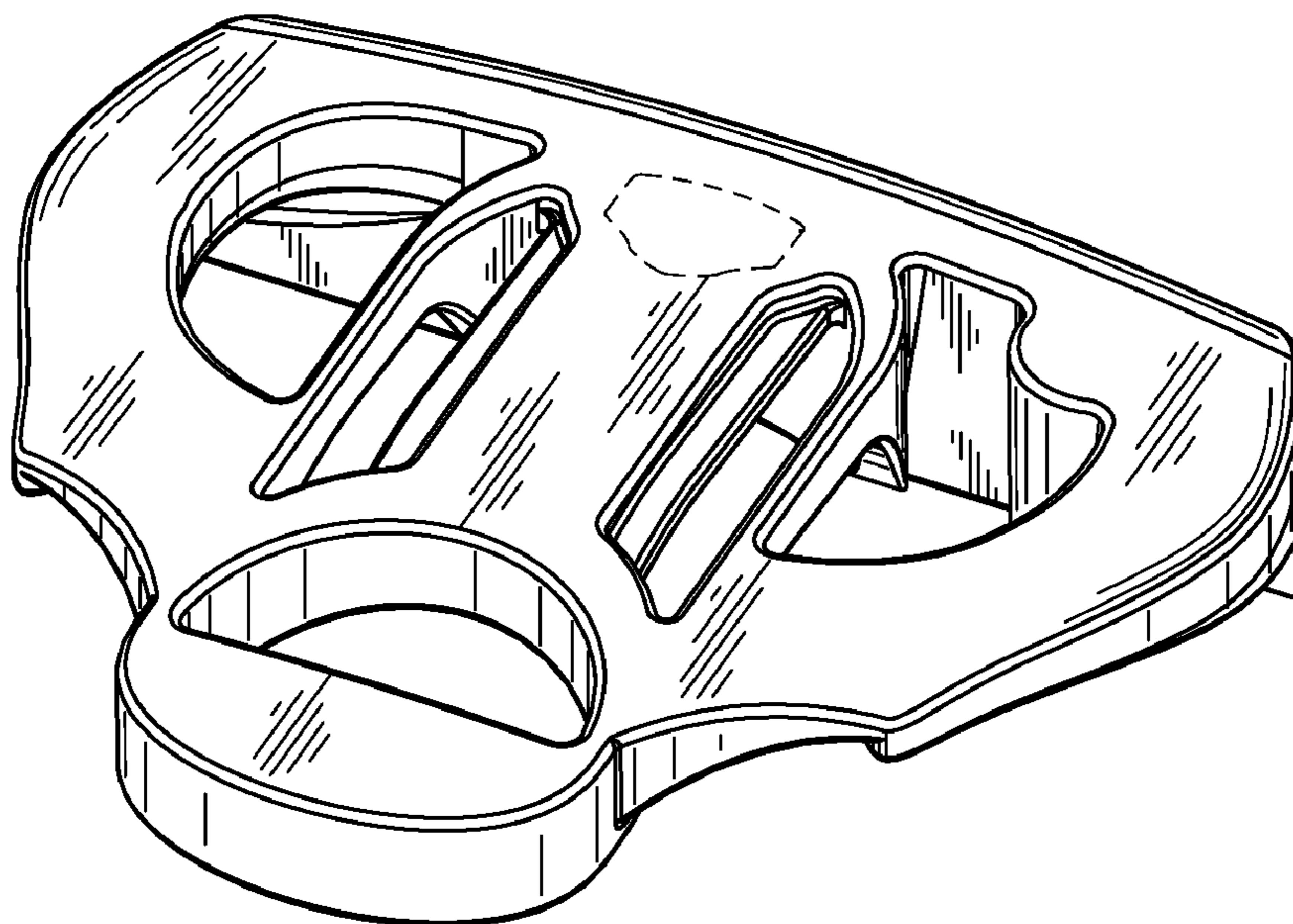


FIG. 2

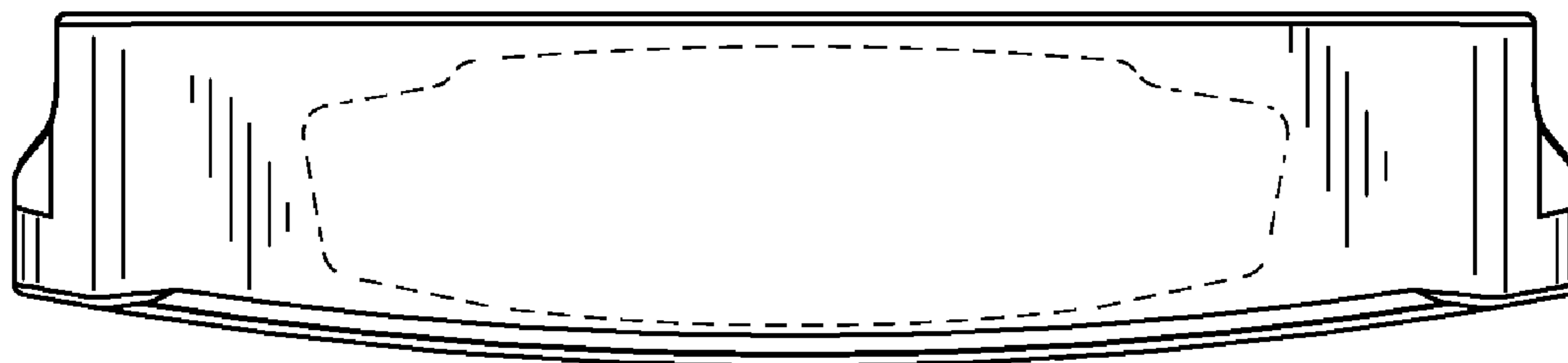


FIG. 3

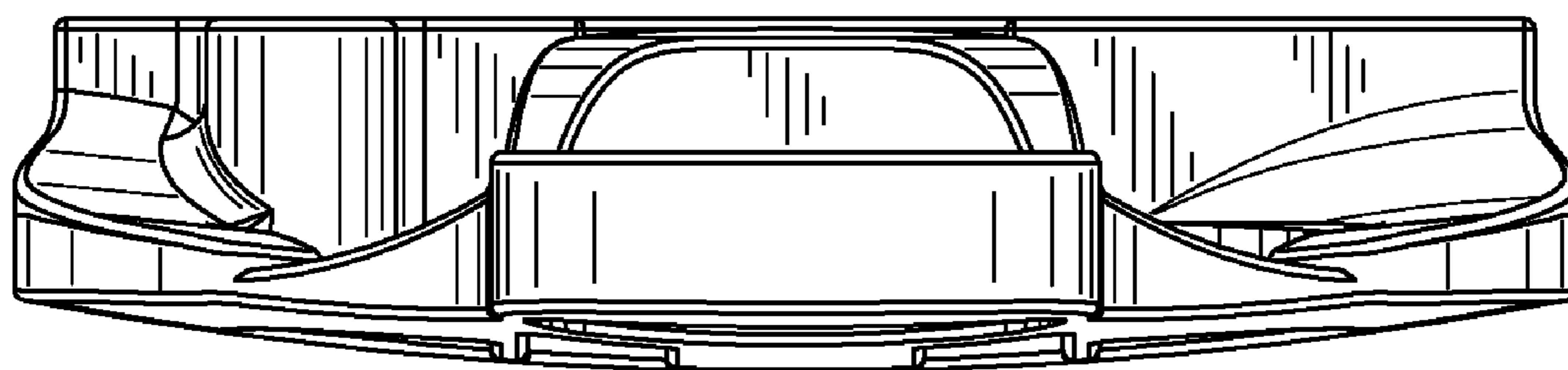


FIG. 4

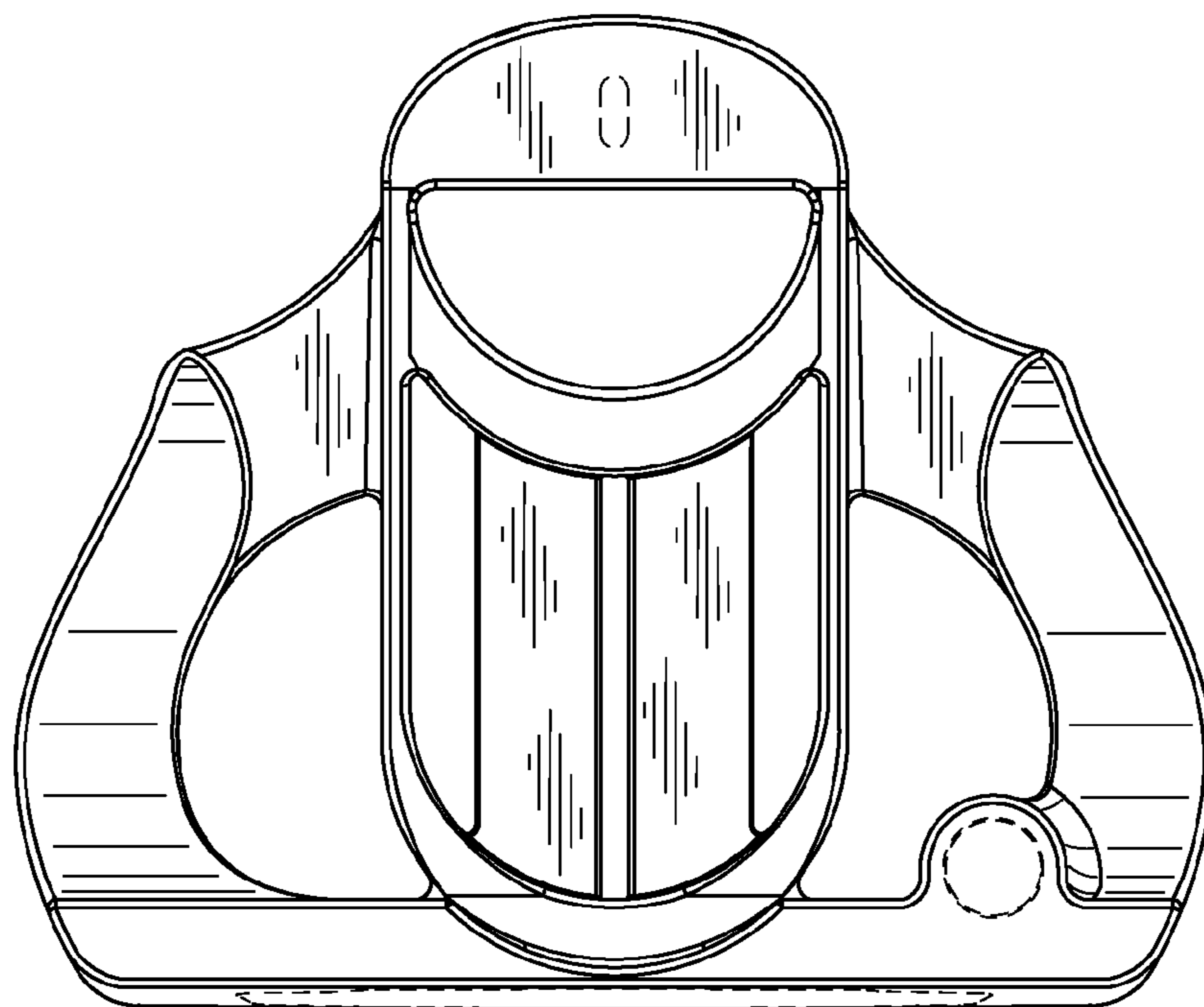


FIG. 5

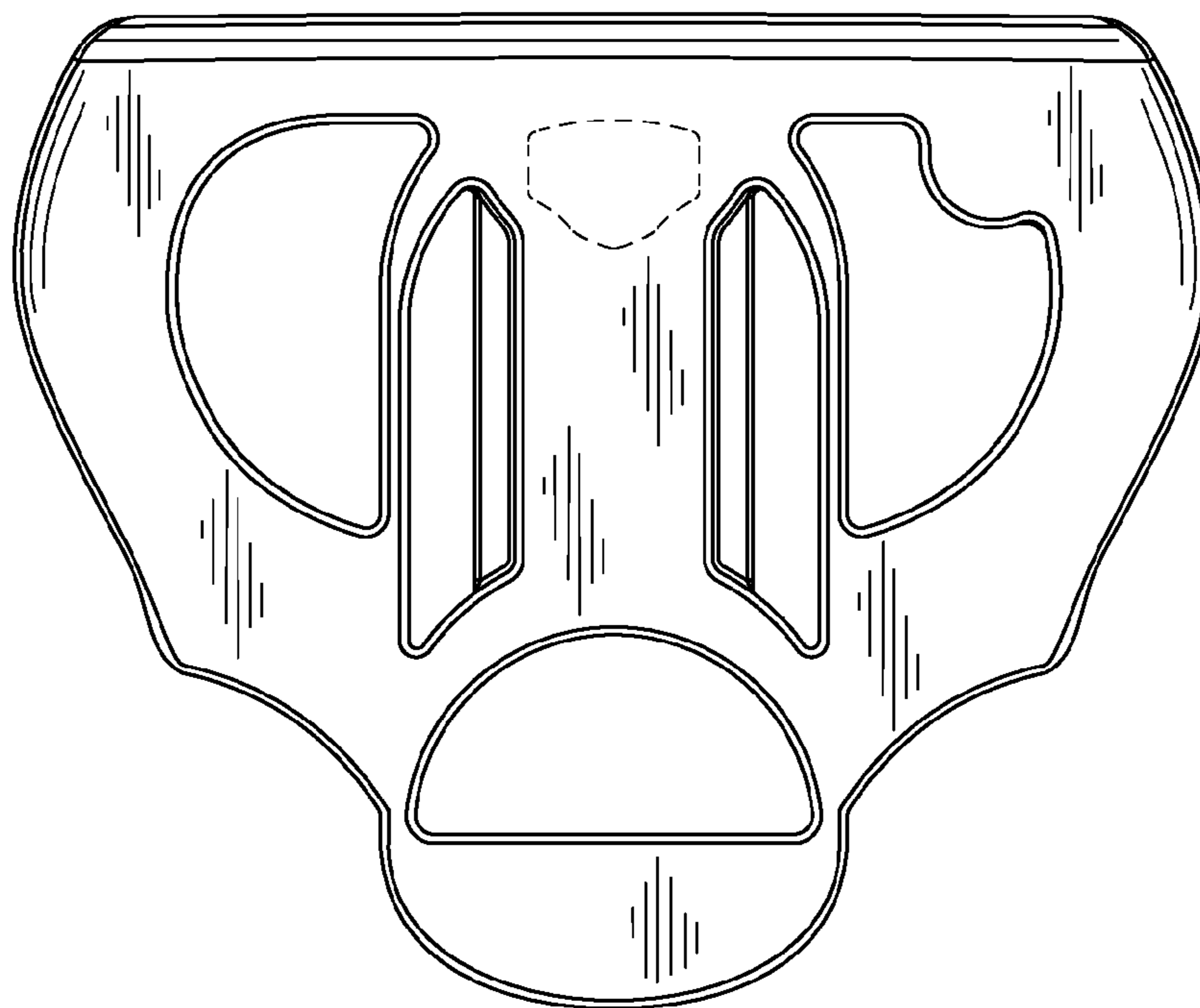


FIG. 6

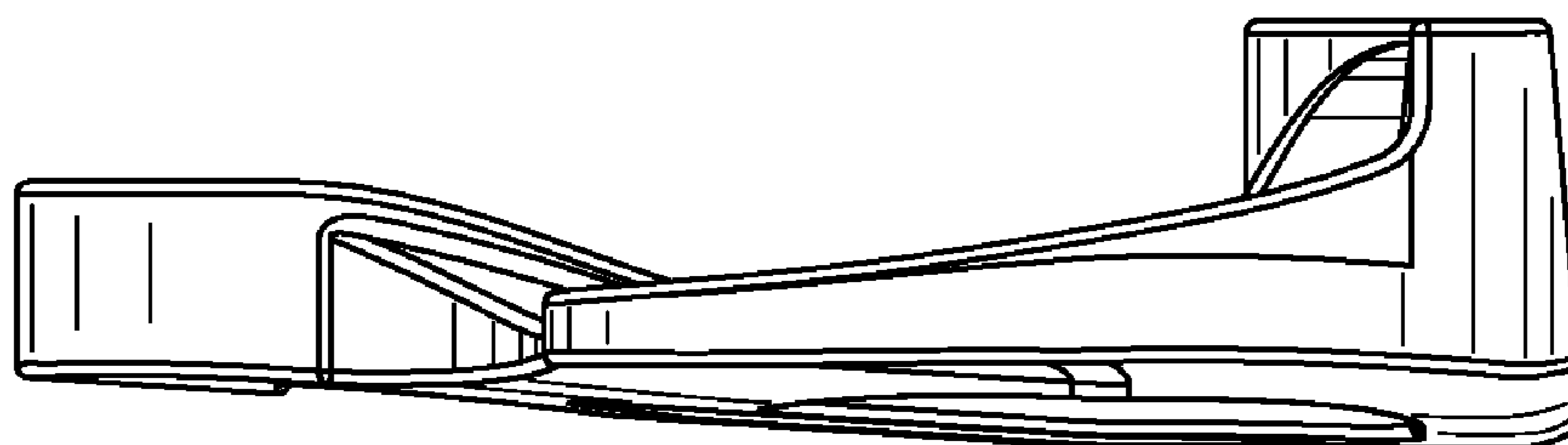


FIG. 7

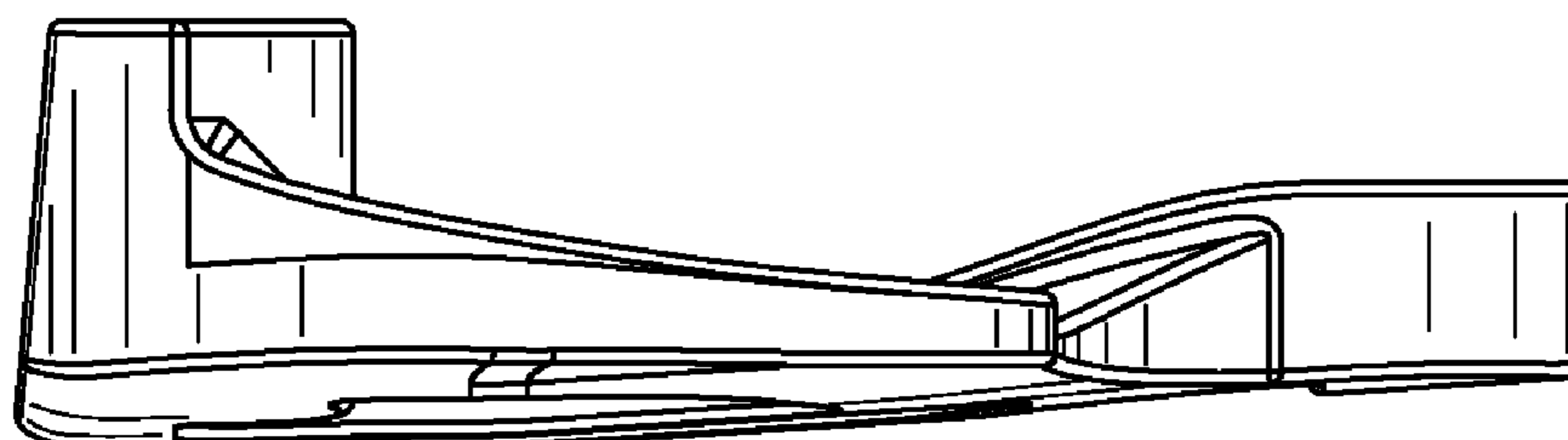


FIG. 8