

US00D600759S

(12) **United States Design Patent**  
**Cokewell**

(10) **Patent No.:** **US D600,759 S**

(45) **Date of Patent:** **\*\* Sep. 22, 2009**

(54) **GOLF PUTTER**

(76) **Inventor:** **Mark R. Cokewell**, 19951 Tamiami Ave., Tampa, FL (US) 33647

(\*\*) **Term:** **14 Years**

(21) **Appl. No.:** **29/330,429**

(22) **Filed:** **Jan. 7, 2009**

(51) **LOC (9) Cl.** ..... **21-02**

(52) **U.S. Cl.** ..... **D21/736**

(58) **Field of Classification Search** ..... D21/736-746;  
473/324-331, 340-341

See application file for complete search history.

(56) **References Cited**

**U.S. PATENT DOCUMENTS**

D486,540 S *	2/2004	Bettinardi	.....	D21/738
D486,541 S *	2/2004	Bettinardi	.....	D21/738
D500,539 S *	1/2005	Holloway	.....	D21/736
D502,518 S *	3/2005	Smart	.....	D21/736
D509,273 S *	9/2005	Morris et al.	.....	D21/742
D513,049 S *	12/2005	Hendrick	.....	D21/743
D529,109 S *	9/2006	Jones	.....	D21/743

D531,242 S *	10/2006	Adams	.....	D21/746
D542,869 S *	5/2007	Adams	.....	D21/742
D581,473 S *	11/2008	Thomas	.....	D21/746

\* cited by examiner

*Primary Examiner*—Mitchell I Siegel

(74) *Attorney, Agent, or Firm*—Larson & Larson, P.A.; Frank Liebenow

(57) **CLAIM**

I claim the ornamental design for a golf putter, as shown and described.

**DESCRIPTION**

FIG. 1 is a top plan view of the golf putter showing my novel design;

FIG. 2 is a bottom plan view thereof;

FIG. 3 is a right side elevation view thereof;

FIG. 4 is a left side elevation view thereof;

FIG. 5 is a rear elevation view thereof; and,

FIG. 6 is a front elevation view thereof.

**1 Claim, 4 Drawing Sheets**

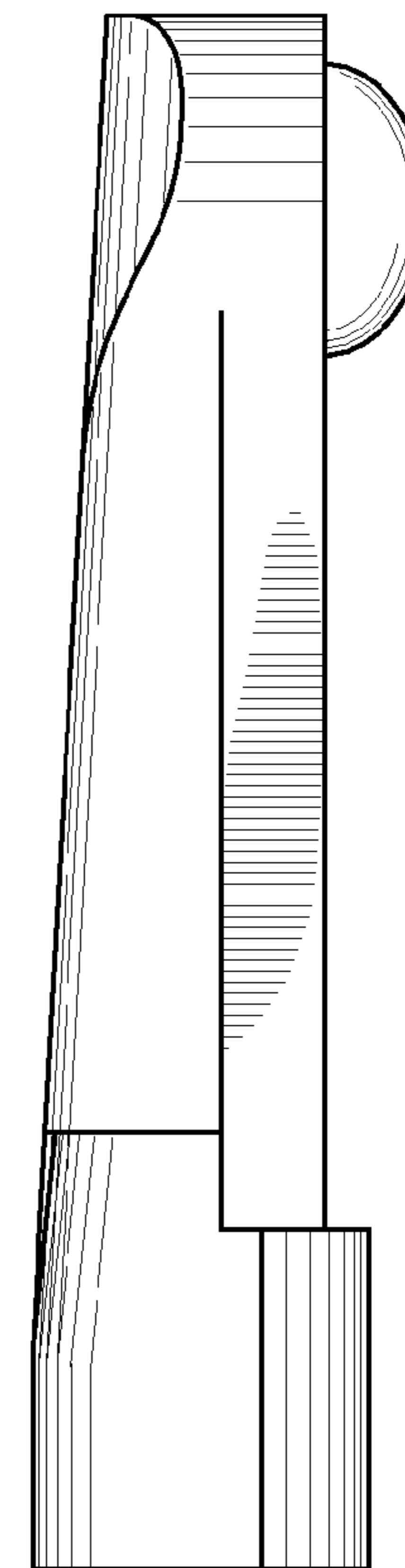
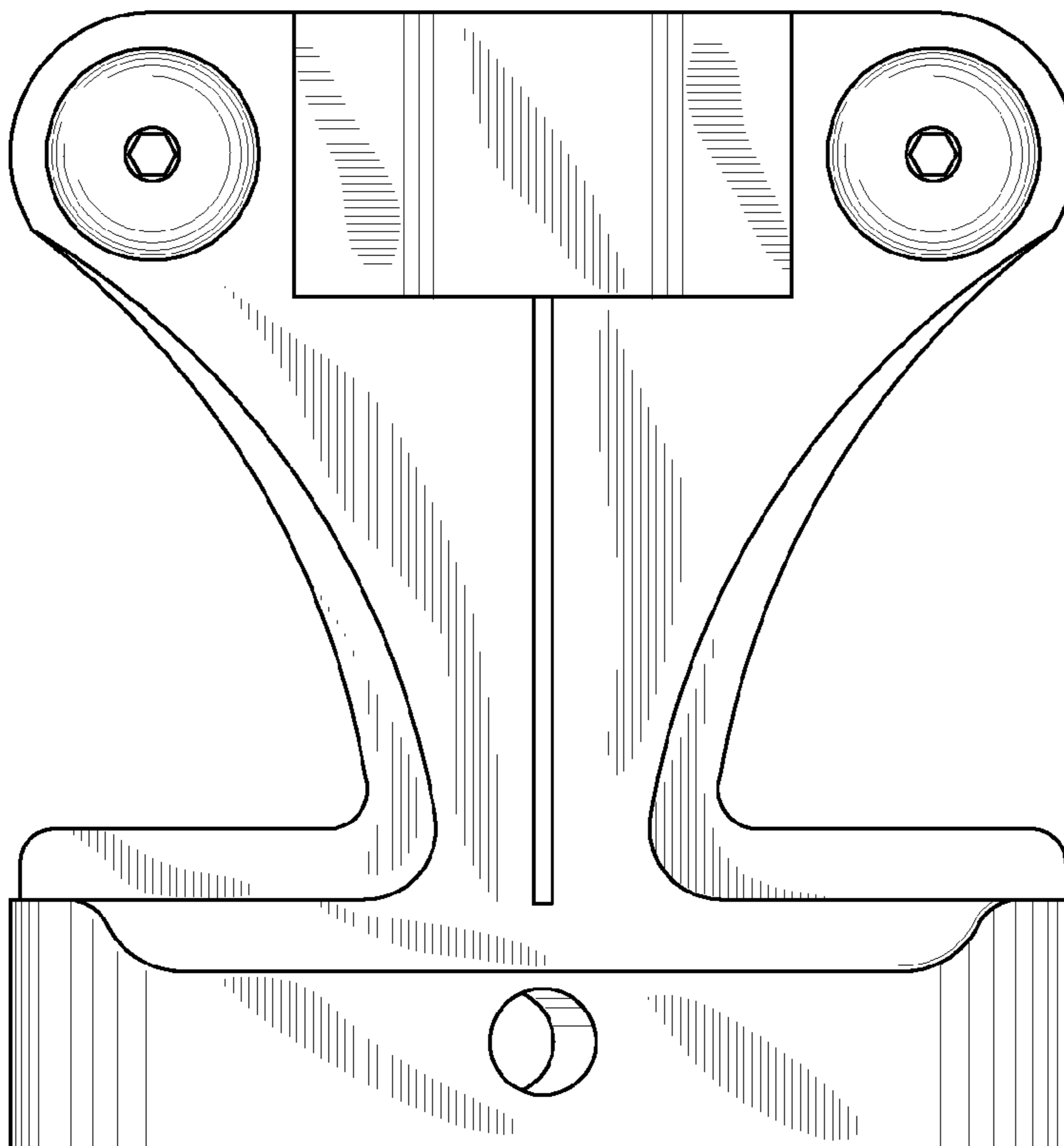


FIG. 1

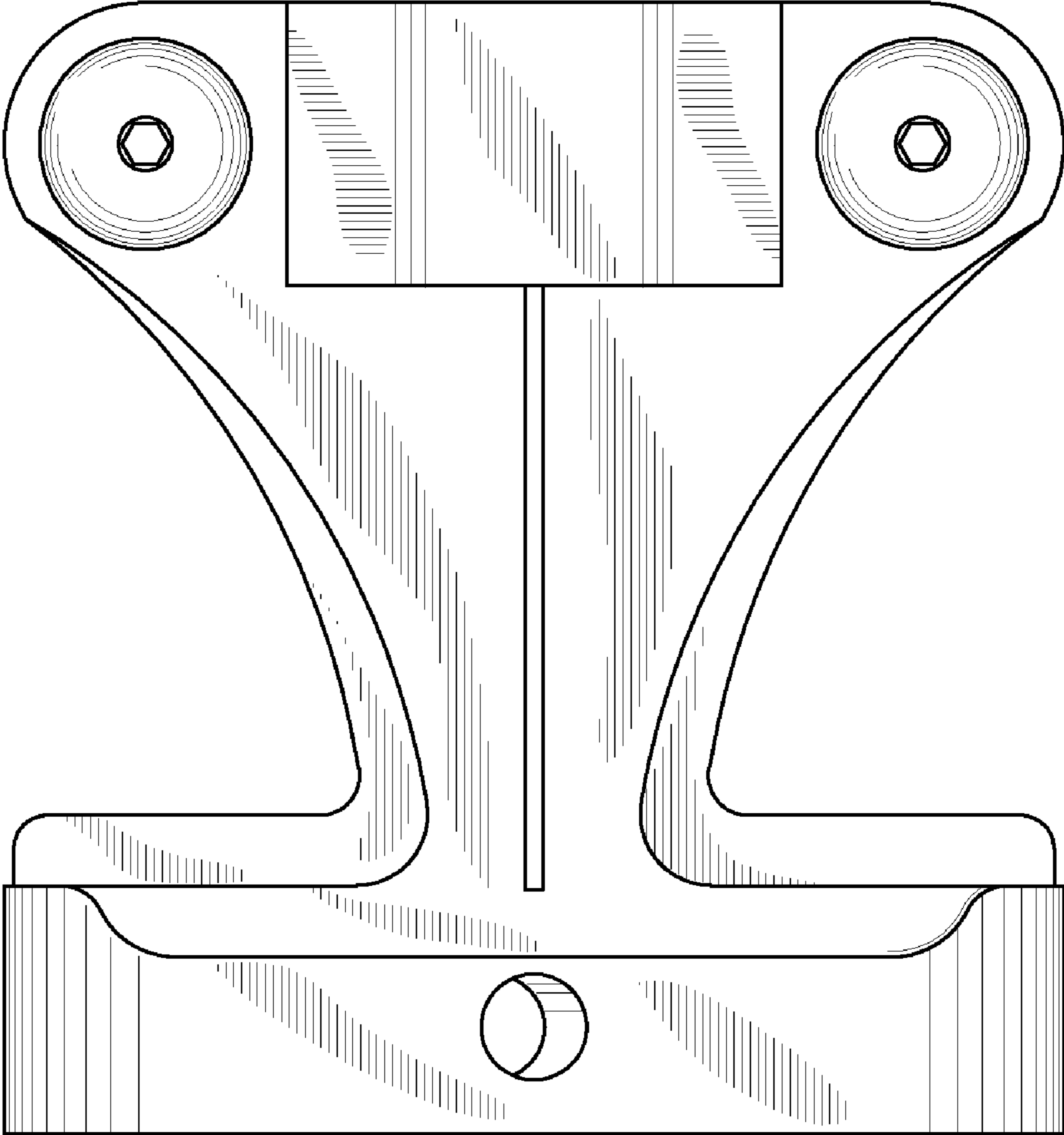


FIG. 2

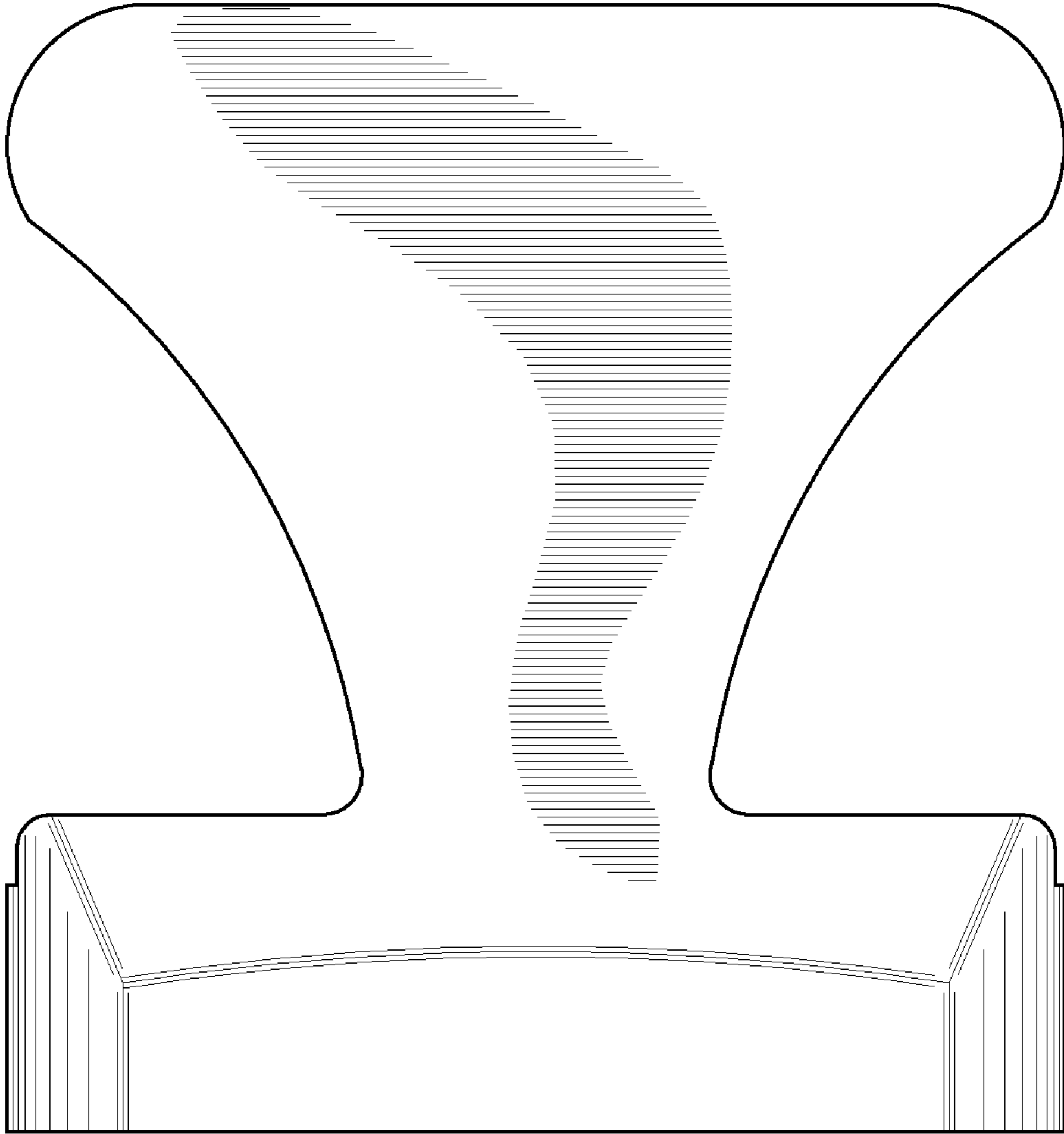


FIG. 3

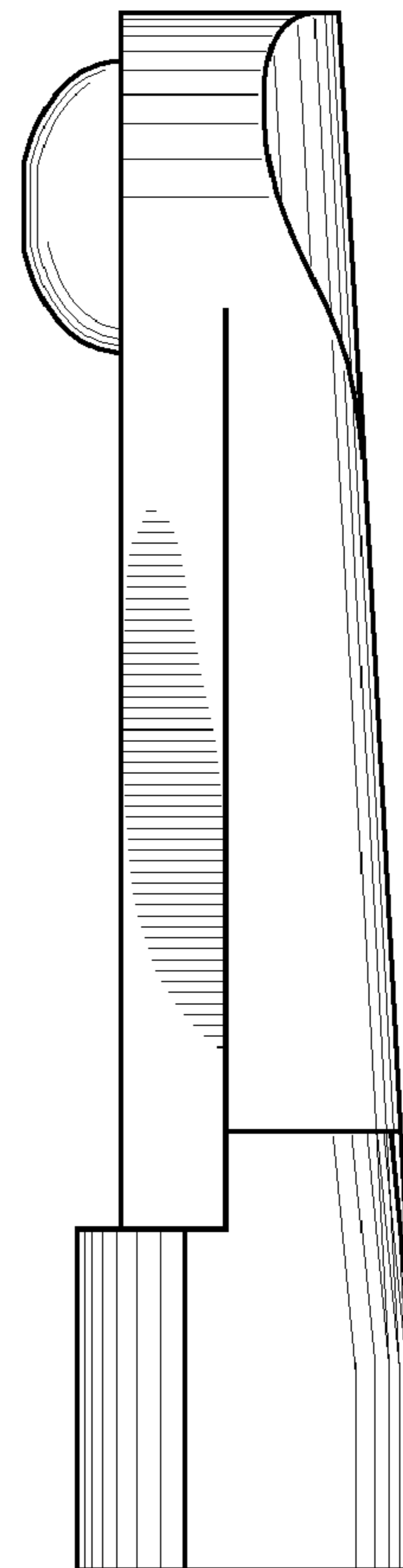
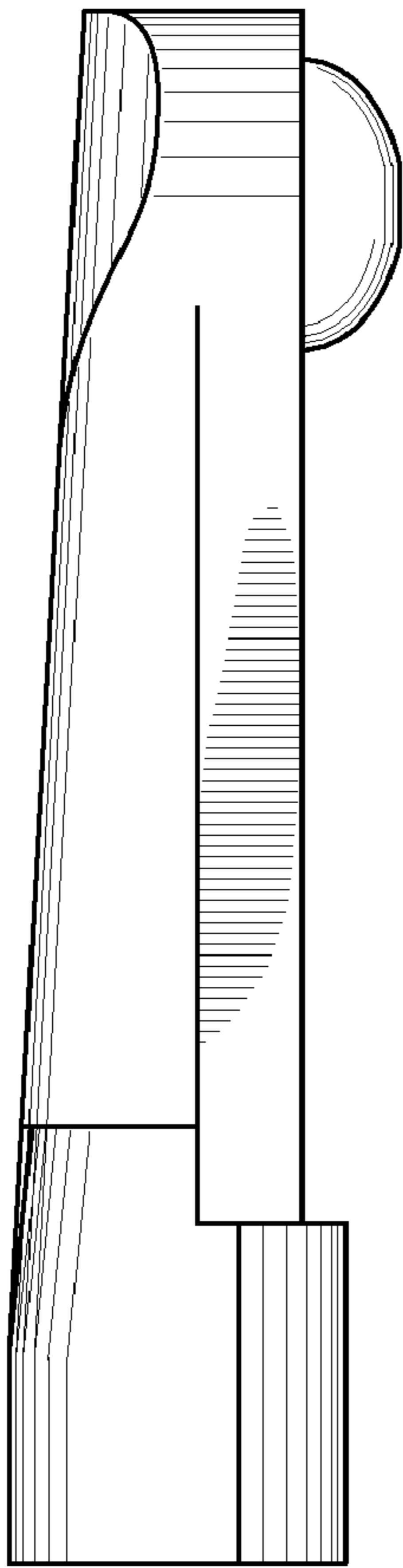


FIG. 4

FIG. 5

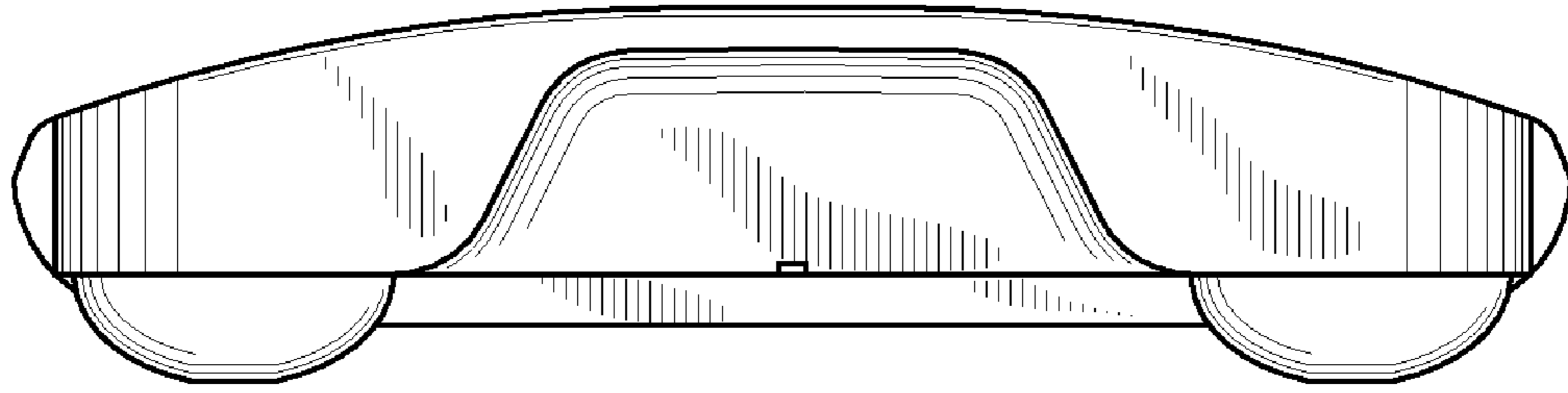


FIG. 6

