



US00D600756S

(12) **United States Design Patent**
Fleming

(10) **Patent No.:** **US D600,756 S**

(45) **Date of Patent:** **** Sep. 22, 2009**

(54) **TOY BLOCK**

(75) Inventor: **James S. Fleming**, St. Louis County (IE)

(73) Assignee: **Children's Factory, Inc.**, St. Louis, MO (US)

(**) Term: **14 Years**

(21) Appl. No.: **29/317,083**

(22) Filed: **Apr. 22, 2008**

(51) **LOC (9) Cl.** **21-01**

(52) **U.S. Cl.** **D21/502; D21/503**

(58) **Field of Classification Search** D21/484-485,
D21/488, 490-495, 498, 500-505; D25/113,
D25/114, 118; 446/69, 89, 92, 102-128;
434/259, 208, 403; 52/503; 273/153, 156,
273/160

See application file for complete search history.

(56) **References Cited**

U.S. PATENT DOCUMENTS

D193,478 S * 8/1962 Mercure D25/117
4,698,023 A 10/1987 Marino
5,154,656 A 10/1992 Milstein
D354,319 S * 1/1995 Wilson D21/503
6,273,778 B1 8/2001 Kyster
D467,288 S * 12/2002 Sorensen D21/500

D475,096 S * 5/2003 Manville D21/494
D516,635 S * 3/2006 Kim D21/503
7,175,498 B2 2/2007 Garpow et al.
D564,044 S * 3/2008 Rolf D21/486
2004/0154256 A1 * 8/2004 Kim 52/592.6

* cited by examiner

Primary Examiner—Holly H Baynham

Assistant Examiner—Cynthia M Chin

(74) *Attorney, Agent, or Firm*—Paul M. Denk

(57) **CLAIM**

The ornamental design for a toy block, as shown and described.

DESCRIPTION

FIG. 1 is a front perspective view of a toy block;

FIG. 2 is a bottom perspective view thereof;

FIG. 3 is side elevational view thereof wherein the other side is a mirror image;

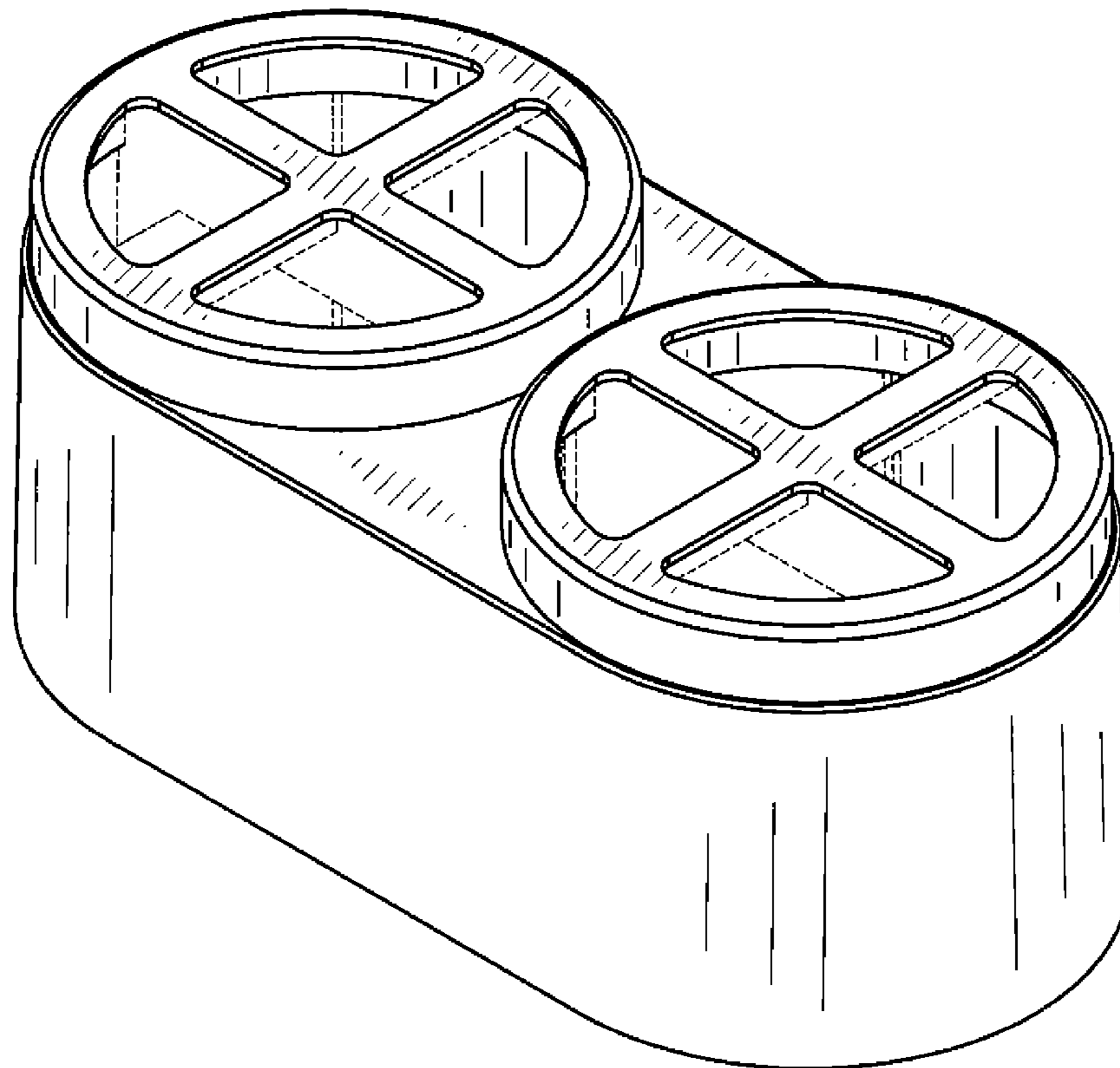
FIG. 4 is an end elevational view thereof wherein the other end is a mirror image;

FIG. 5 is a top view thereof; and,

FIG. 6 is a bottom view thereof.

All broken lines are for illustrative purposes only, and form no part of the claimed design.

1 Claim, 6 Drawing Sheets



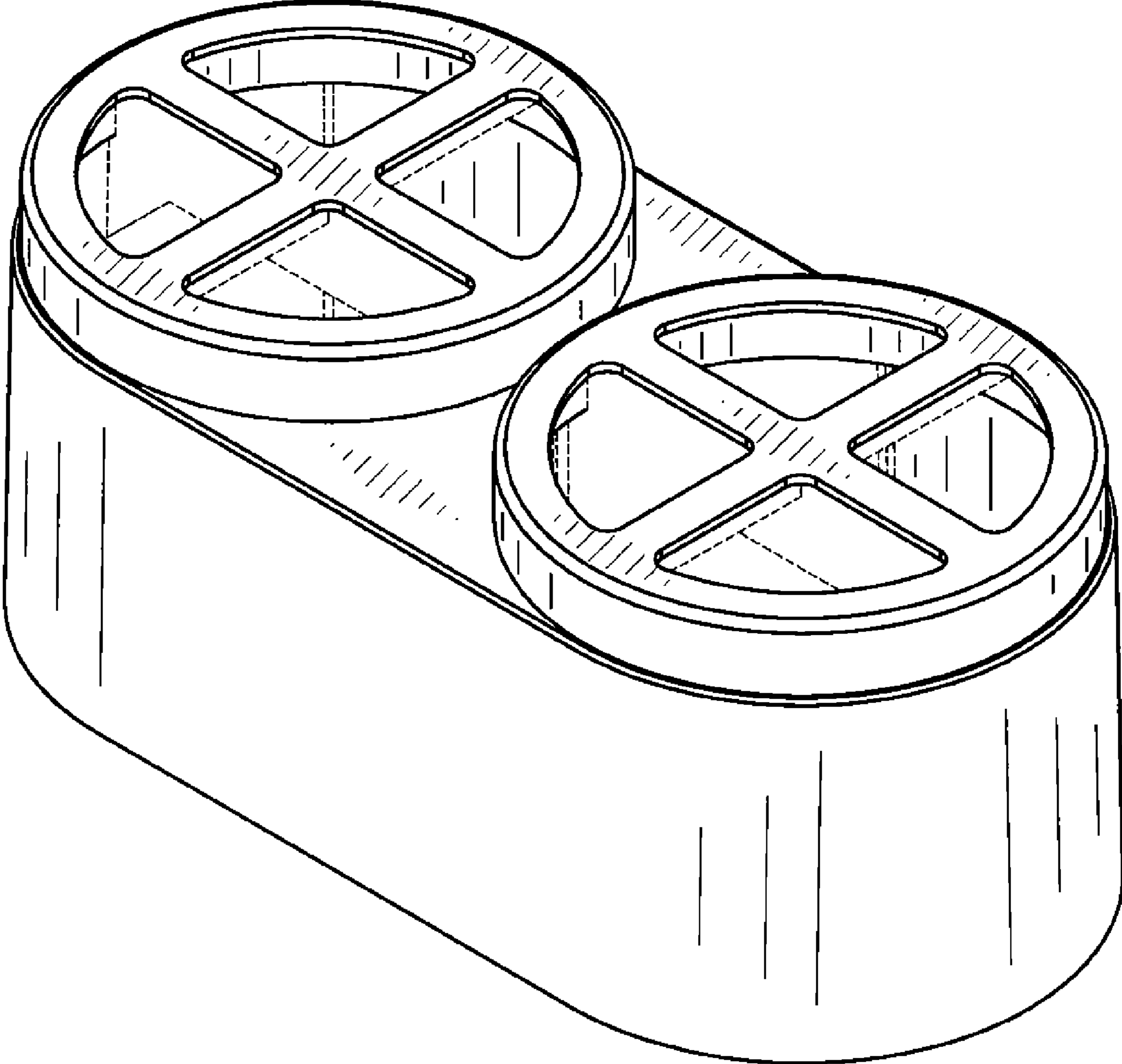


Fig. 1

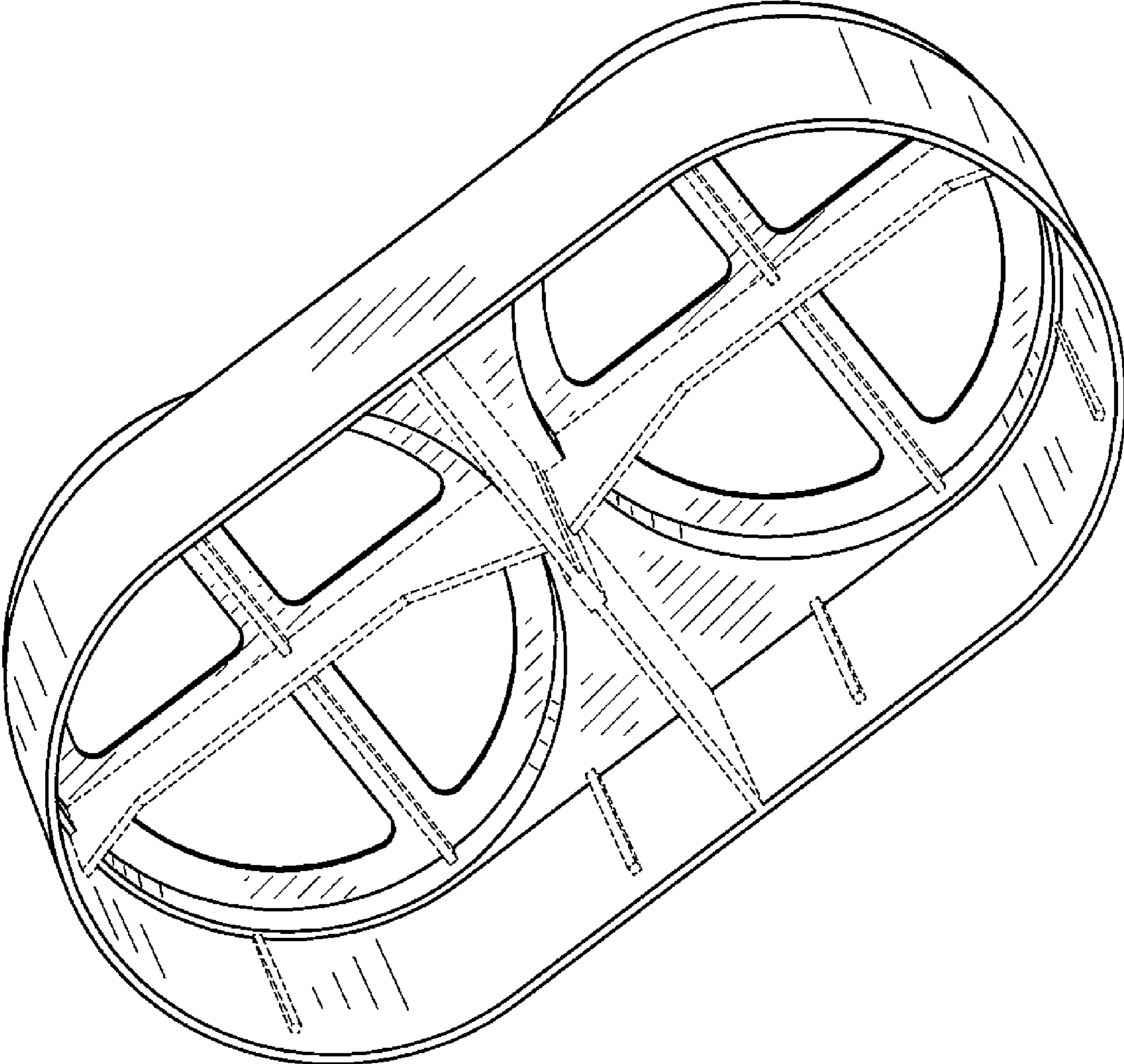


Fig. 2

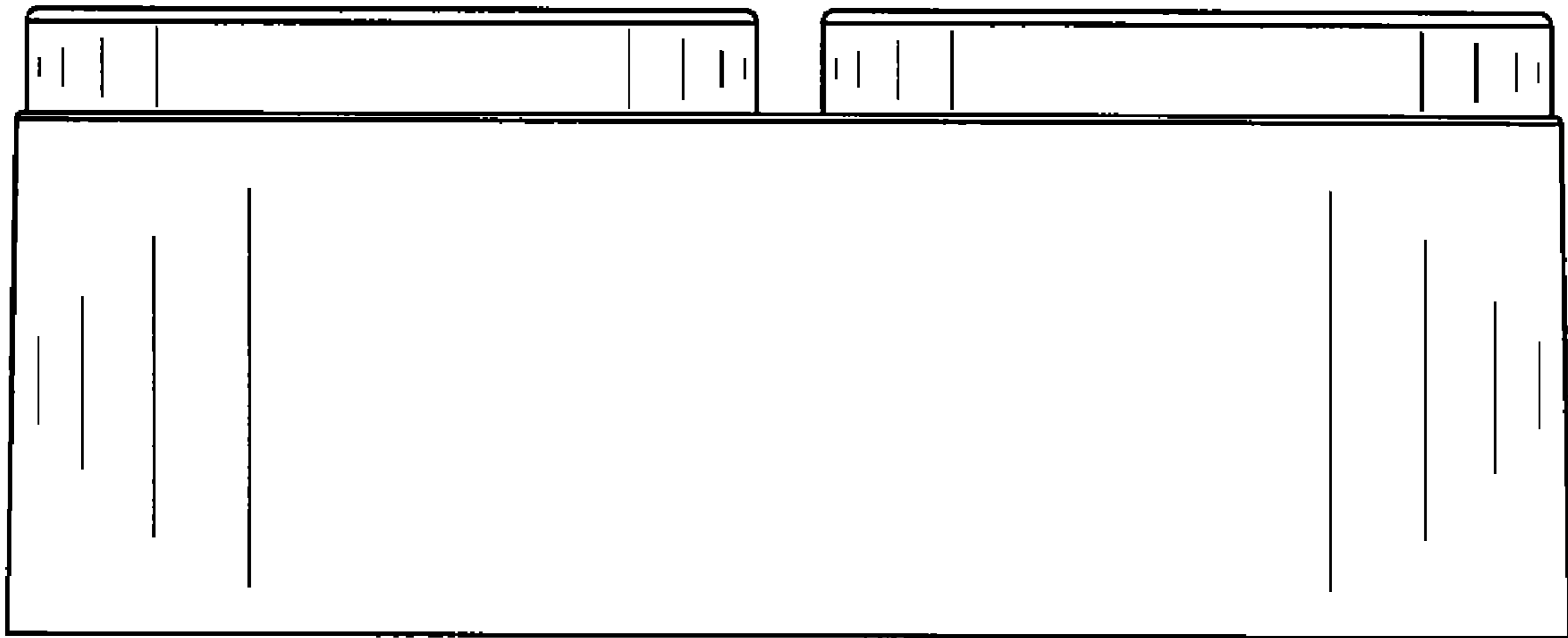


Fig. 3

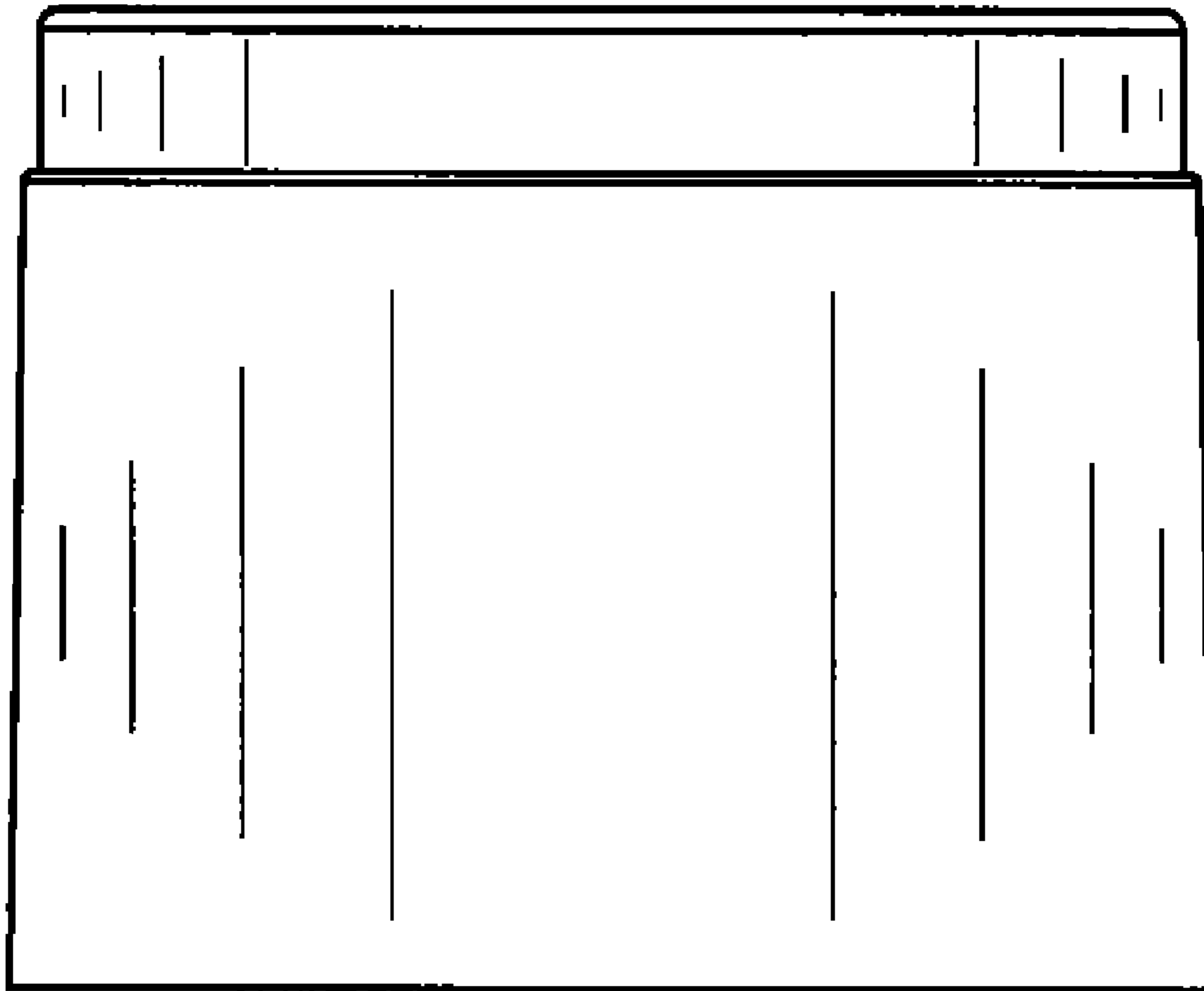


Fig. 4

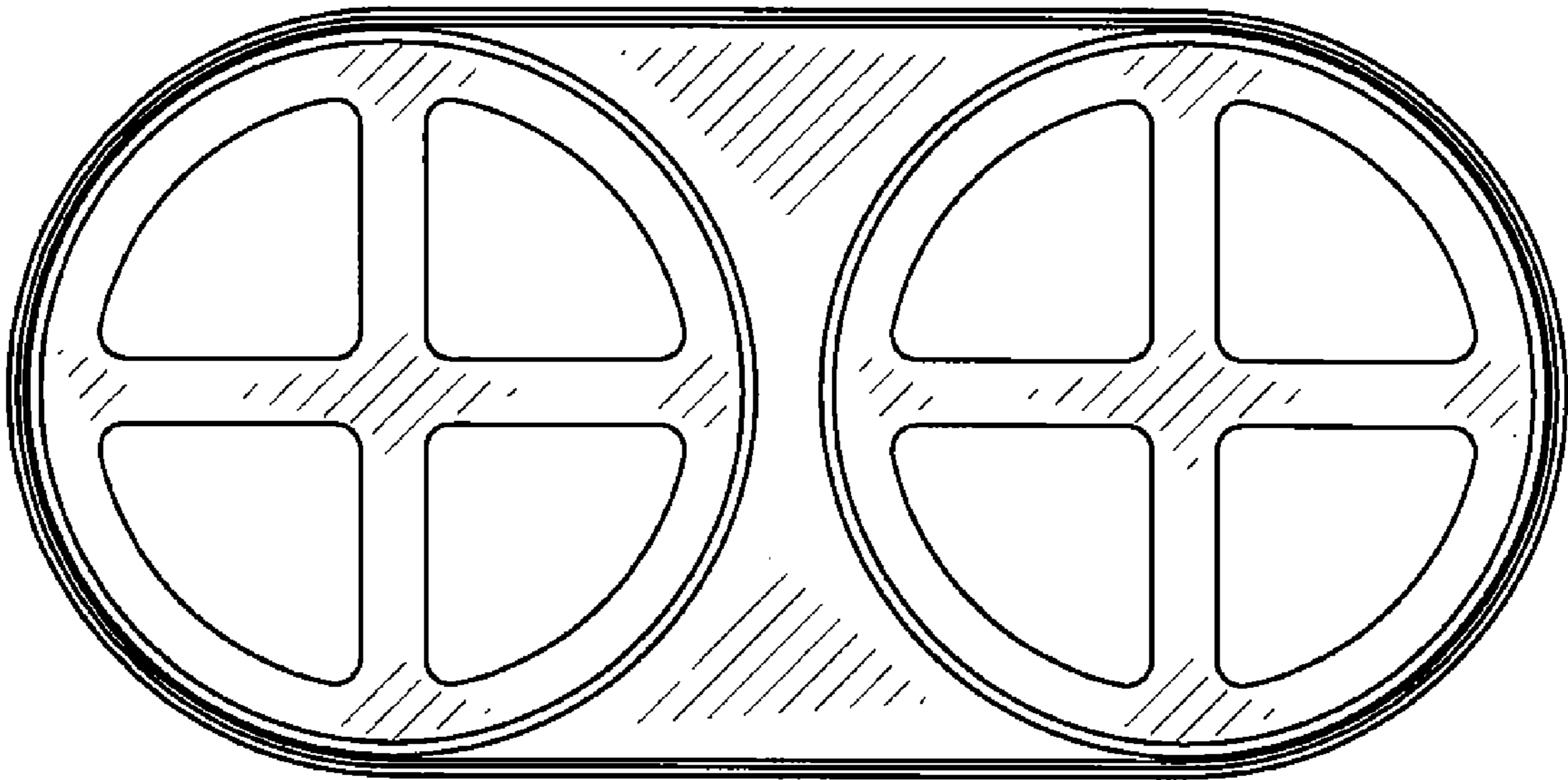


Fig. 5

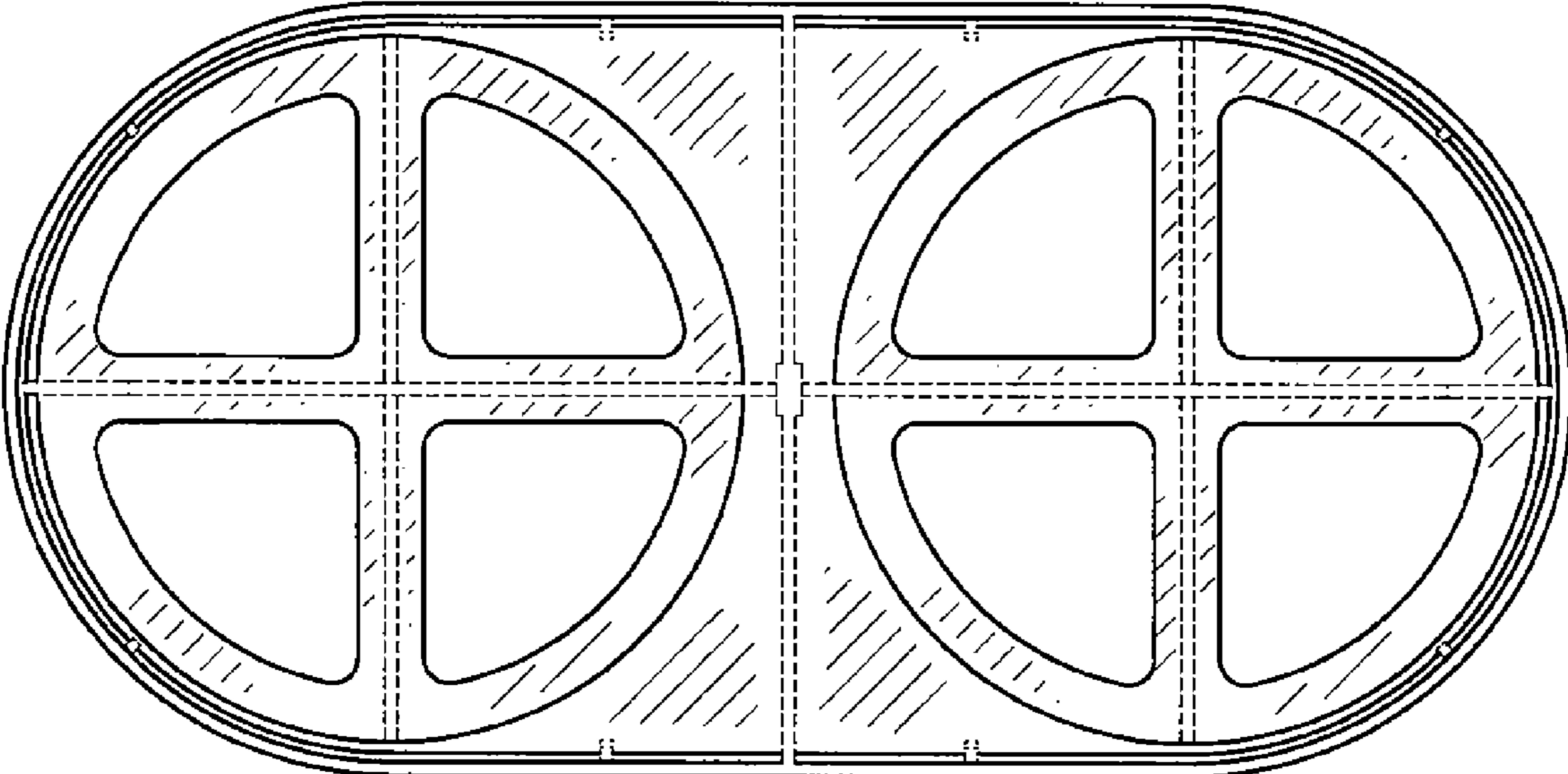


Fig. 6