



US00D600748S

(12) **United States Design Patent**
Tabuchi et al.

(10) **Patent No.:** **US D600,748 S**
(45) **Date of Patent:** **** Sep. 22, 2009**

(54) **PAINTING EQUIPMENT CASE**
(75) Inventors: **Daisuke Tabuchi**, Osaka (JP); **Masahiro Yasunaga**, Osaka (JP)
(73) Assignee: **Sakura Color Products Corporation** (JP)
(**) Term: **14 Years**
(21) Appl. No.: **29/288,423**
(22) Filed: **Jun. 11, 2007**
(30) **Foreign Application Priority Data**
Jan. 10, 2007 (JP) 206/2007

(51) **LOC (9) Cl.** **19-06**
(52) **U.S. Cl.** **D19/35; D3/295**
(58) **Field of Classification Search** D3/201,
D3/273-274, 294-295, 302, 901; D19/35-36,
D19/75; 206/1.7, 1.8, 81; 312/244, 293.2,
312/902
See application file for complete search history.

(56) **References Cited**
U.S. PATENT DOCUMENTS
2,090,083 A * 8/1937 Wallace 206/1.7
D153,339 S * 4/1949 Deckinger D19/35
2,473,532 A * 6/1949 Lazare 312/293.2
D200,881 S * 4/1965 Anderson D3/282
3,945,490 A * 3/1976 Thompson 206/1.7
D264,096 S * 4/1982 Jones D19/35
D265,915 S * 8/1982 Tivey D19/35
D330,045 S * 10/1992 Dietterich et al. D19/36
D336,366 S * 6/1993 Slayton D3/282
D356,823 S * 3/1995 Tarozzi D19/36
D358,841 S * 5/1995 Ascone D19/35
D368,736 S * 4/1996 Massena D19/36
D401,763 S * 12/1998 Wolff D3/273

D412,786 S * 8/1999 Killinger D3/273
D418,252 S * 12/1999 Horvath et al. D28/61
D454,689 S * 3/2002 Gonda et al. D3/294
D459,223 S * 6/2002 Lai D3/295

* cited by examiner
Primary Examiner—Philip S Hyder
Assistant Examiner—Roselynn Cody
(74) *Attorney, Agent, or Firm*—Wood, Phillips, Katz, Clark & Mortimer

(57) **CLAIM**

The ornamental design for a painting equipment case, as shown and described.

DESCRIPTION

FIG. 1 is a front elevation view of the painting equipment case;
FIG. 2 is a rear elevation view thereof;
FIG. 3 is a right side elevation view thereof;
FIG. 4 is a left side elevation view thereof;
FIG. 5 is a top plan view thereof;
FIG. 6 is a bottom view thereof;
FIG. 7 is a cross-sectional view thereof taken along 7—7 line of FIG. 1;
FIG. 8 is a cross-sectional view thereof taken along 8—8 line of FIG. 5;
FIG. 9 is a top plan view thereof with a cover thereon in an open state;
FIG. 10 is an enlarged, front, top, and right side perspective view thereof with the cover in a closed state; and,
FIG. 11 is a front, bottom and right side perspective view thereof with the cover in the closed state.

1 Claim, 6 Drawing Sheets

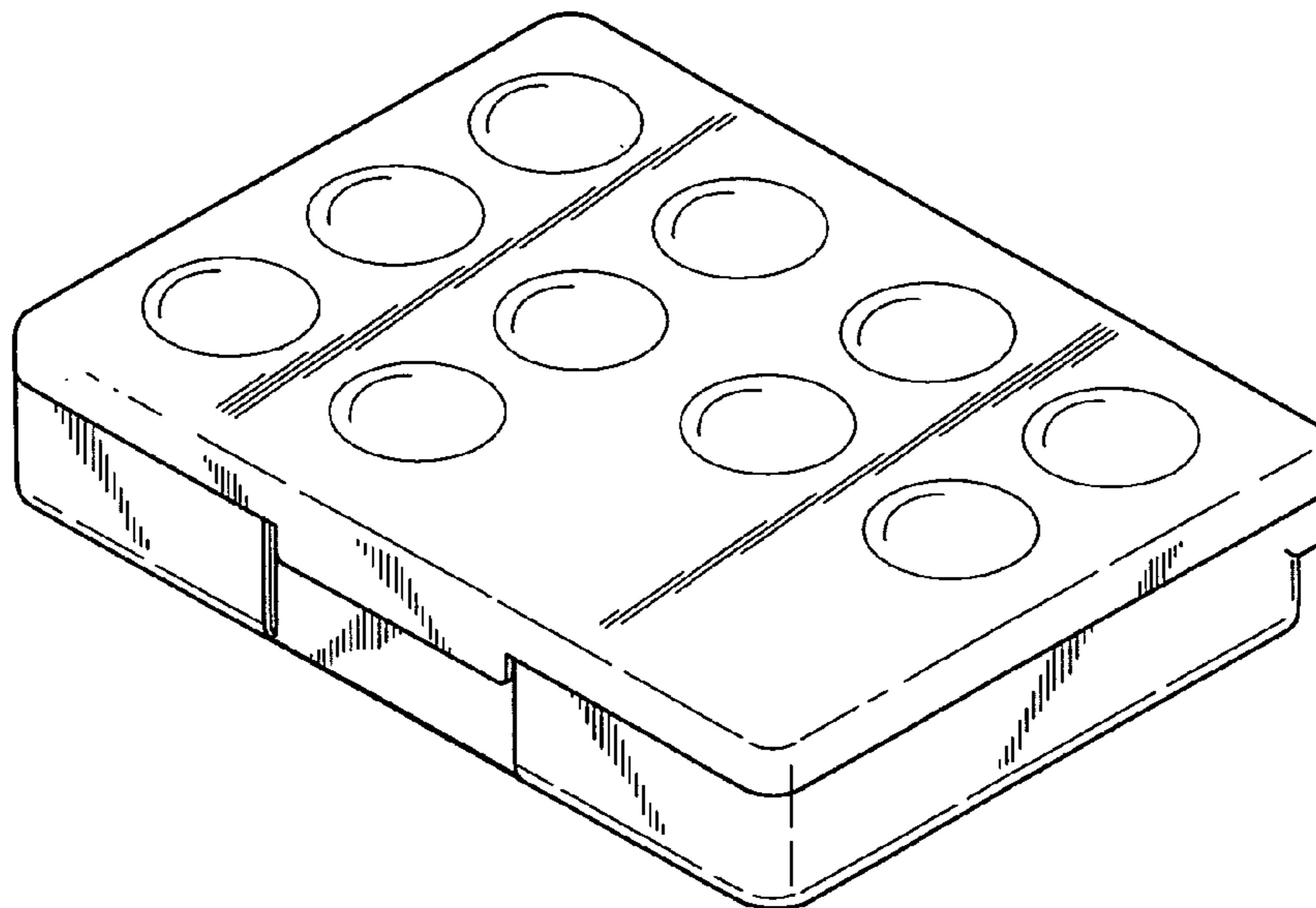


Fig. 1

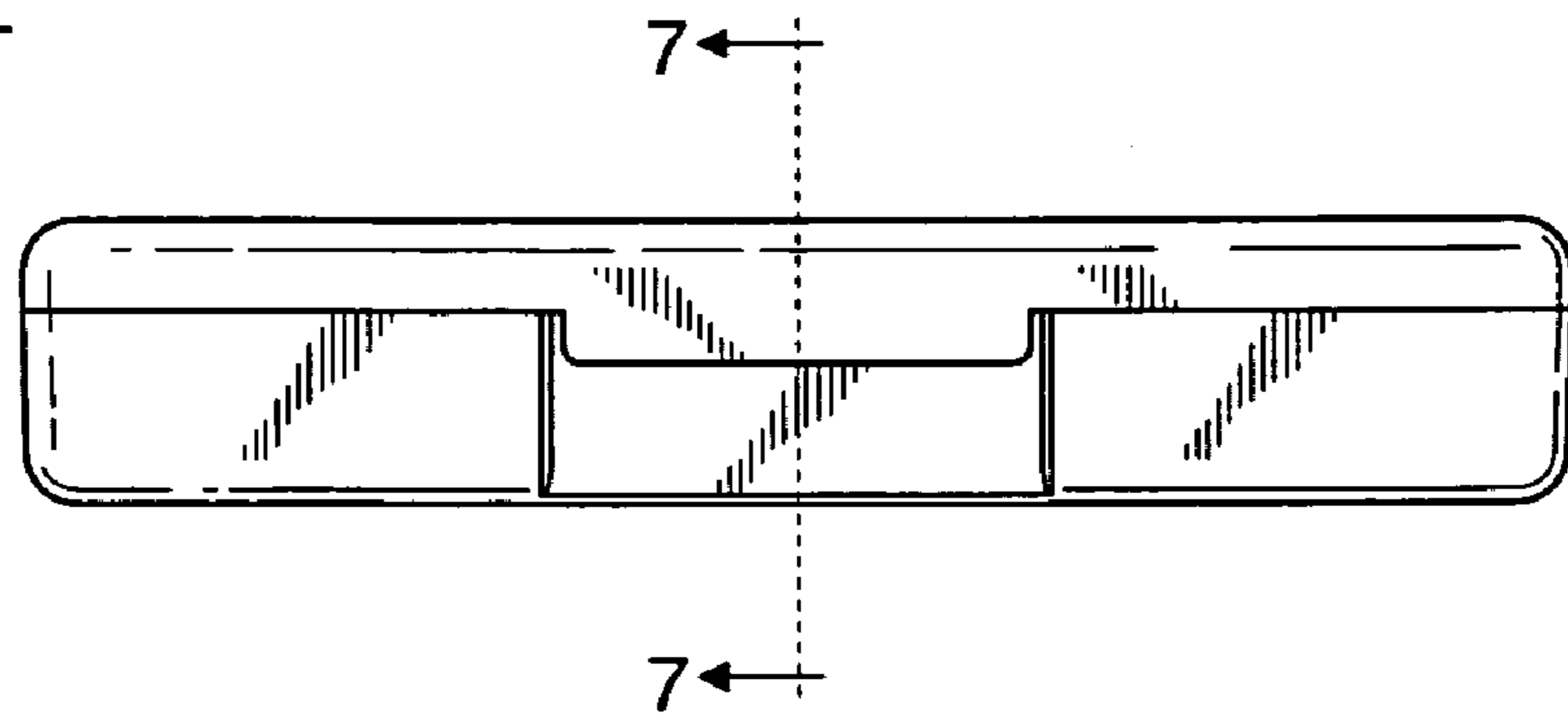


Fig. 2

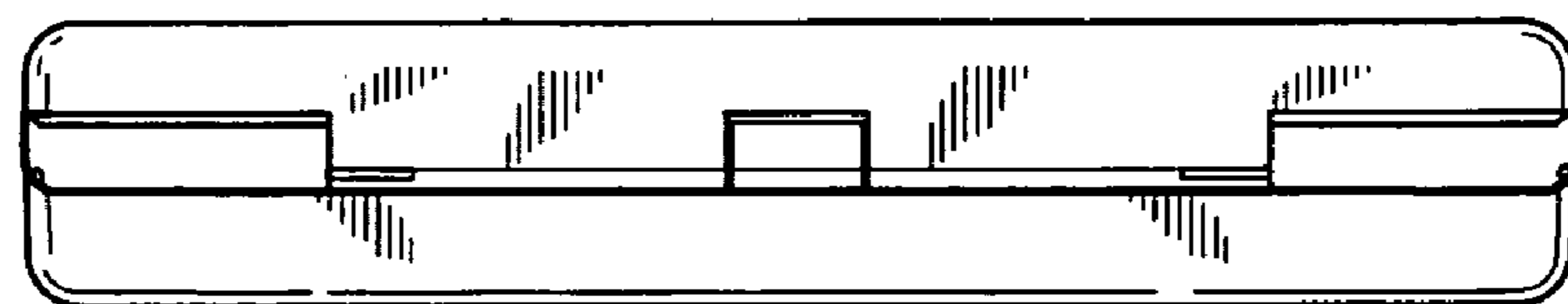


Fig. 3

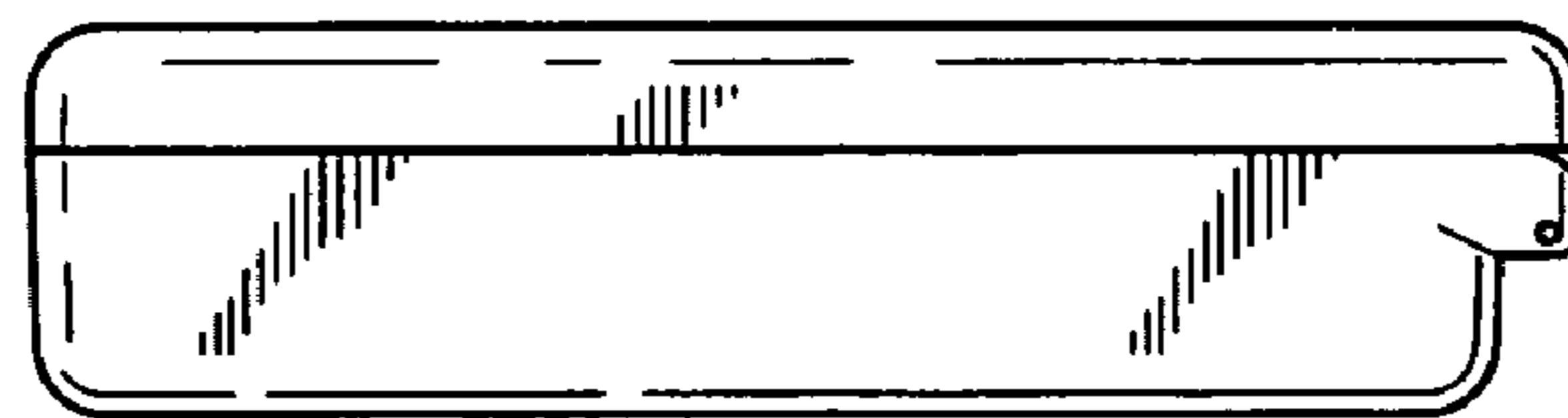


Fig. 4

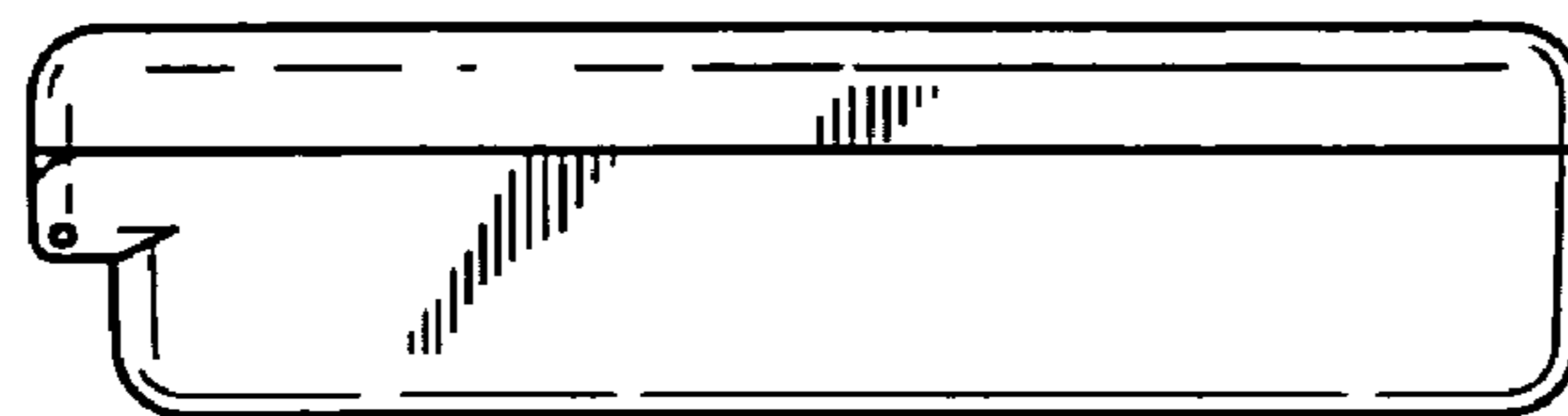


Fig. 5

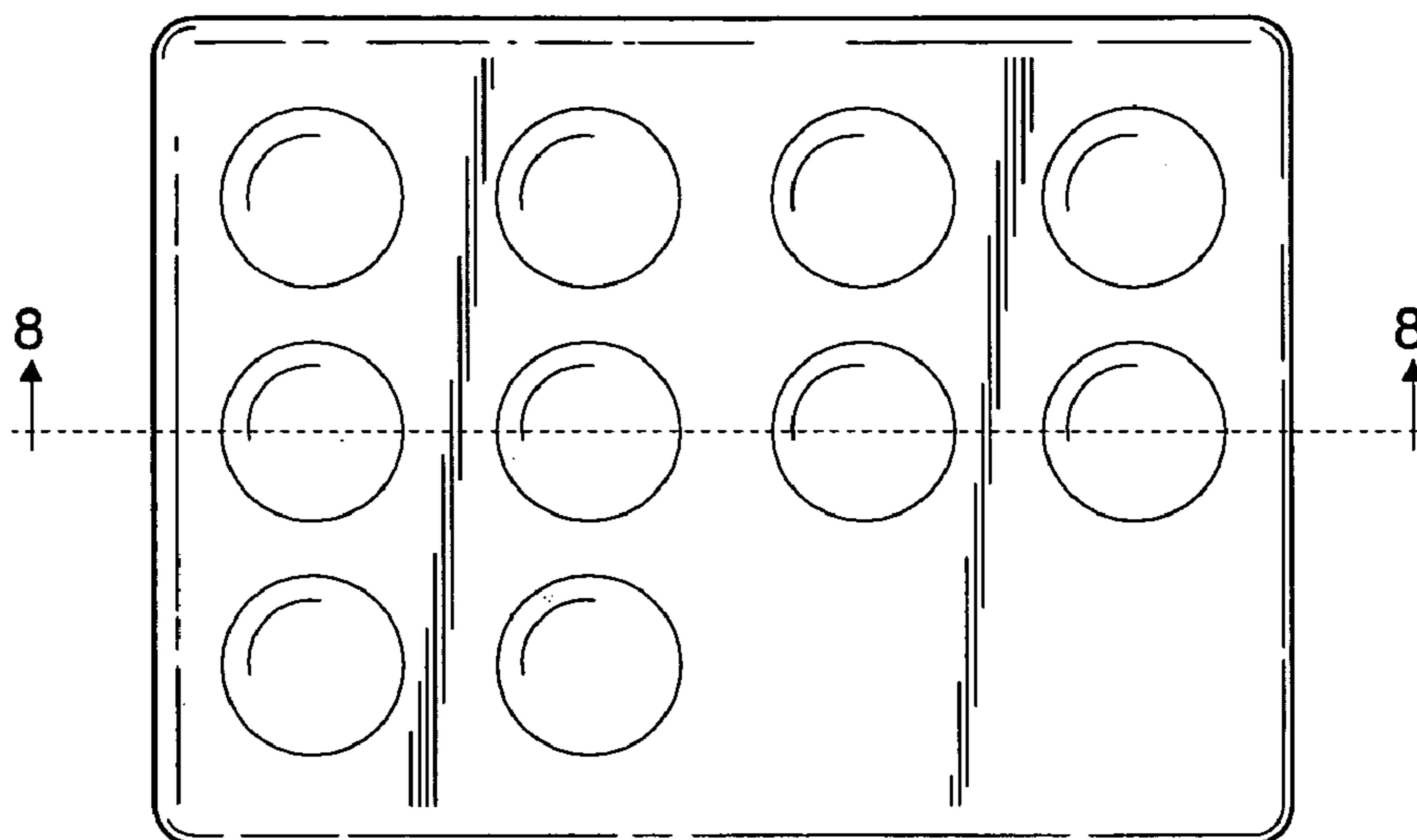


Fig. 6

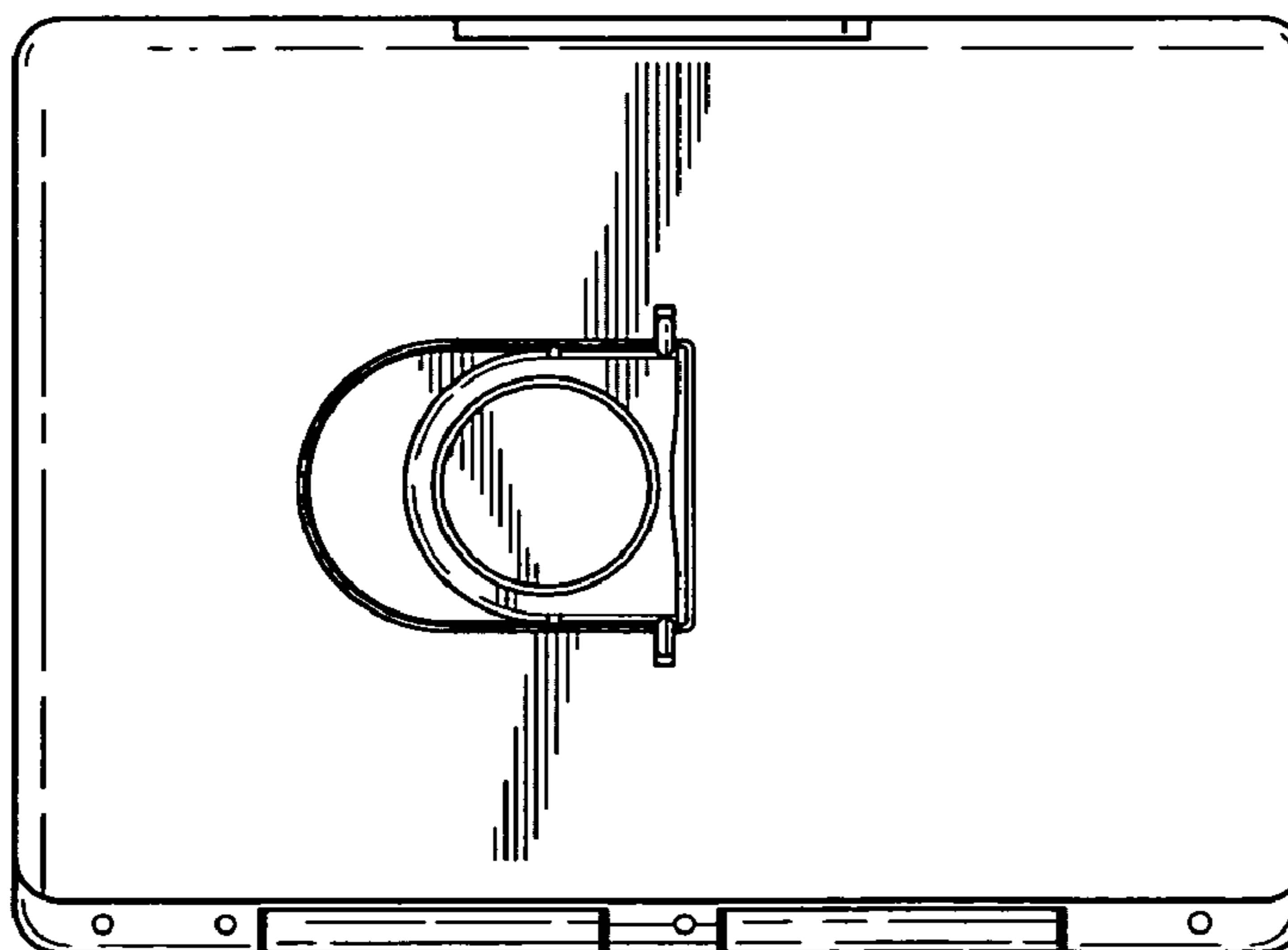


Fig. 7

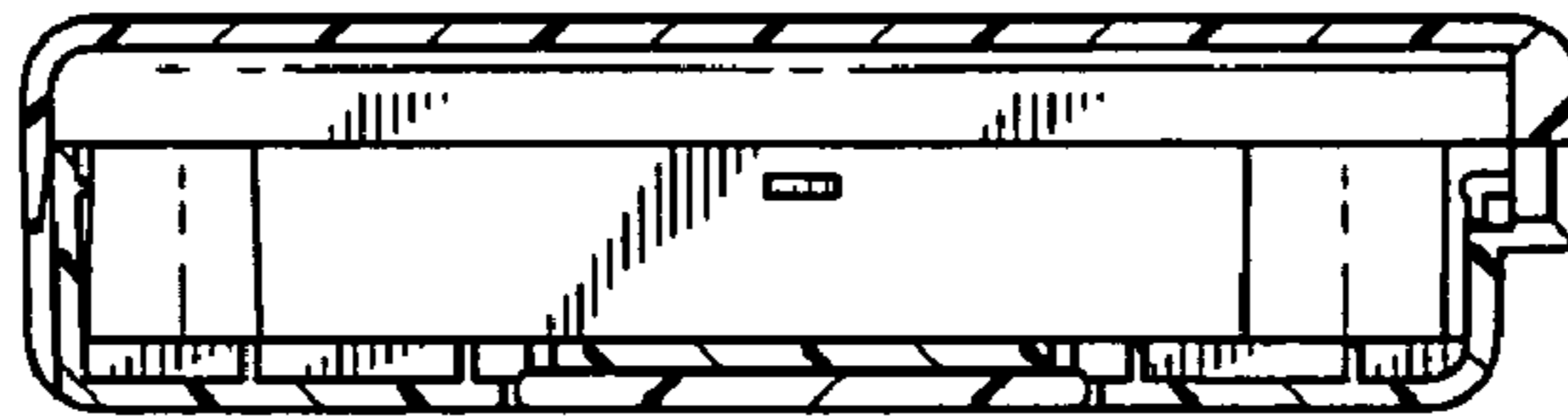


Fig. 8

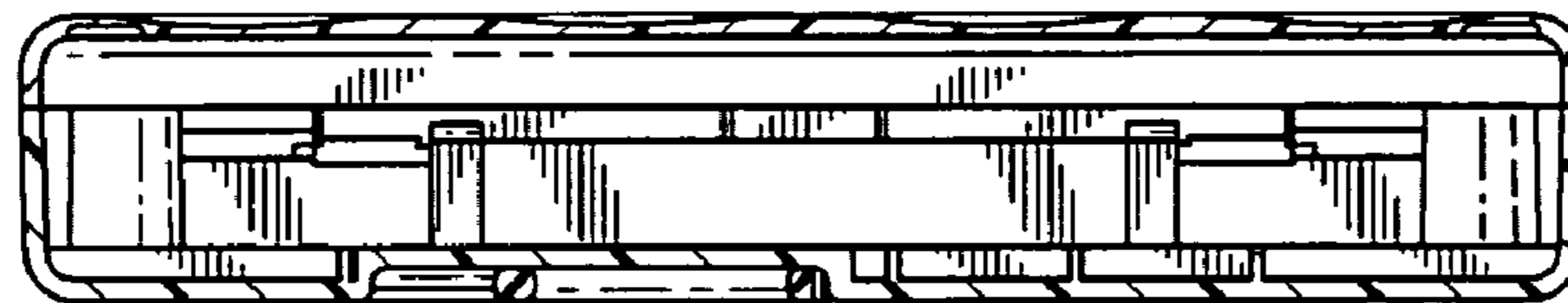


Fig. 9

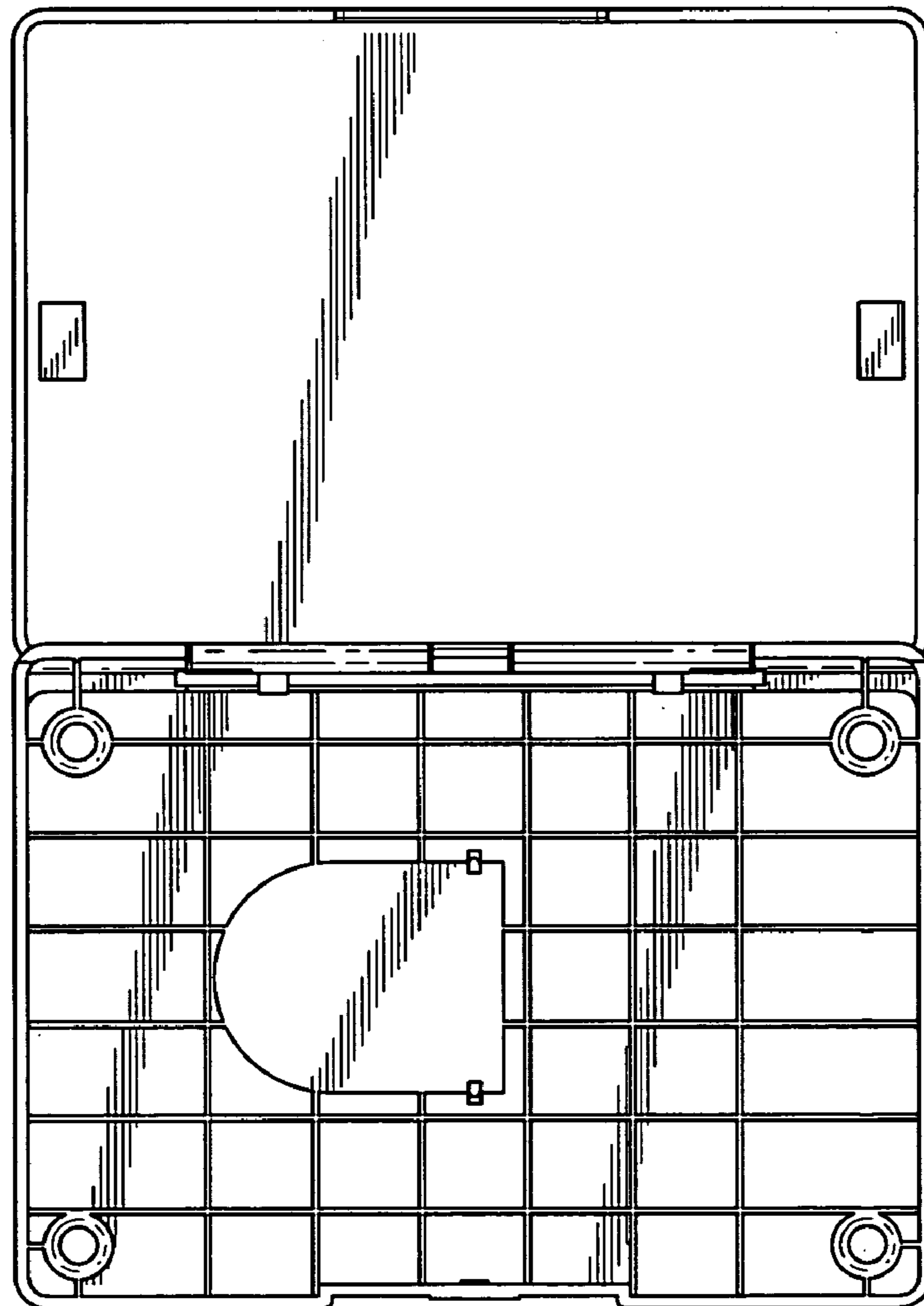


Fig. 10

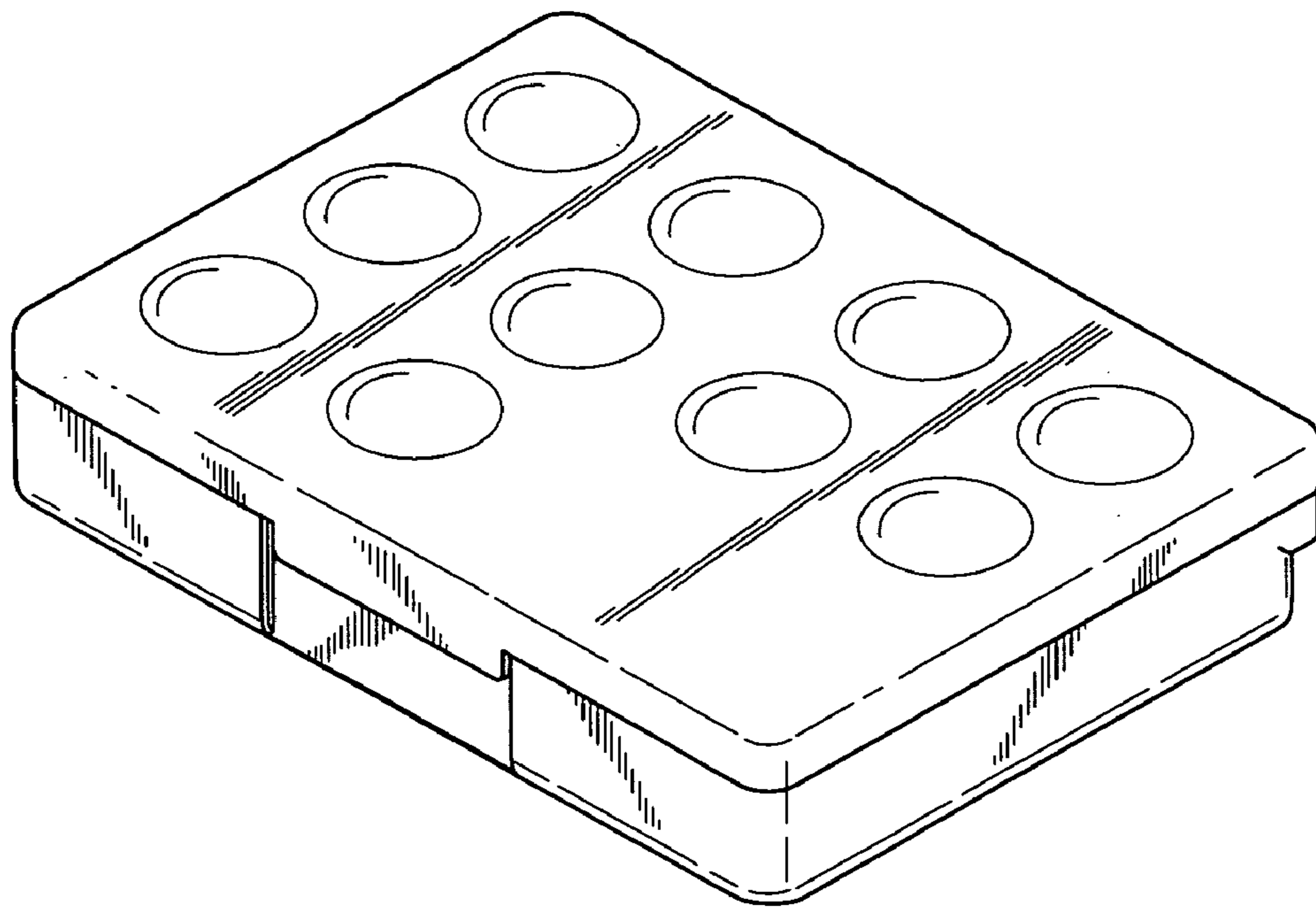


Fig. 11

