



US00D600742S

(12) **United States Design Patent**  
**Sued et al.**

(10) **Patent No.:** **US D600,742 S**

(45) **Date of Patent:** **\*\* Sep. 22, 2009**

(54) **SHREDDER**

(76) Inventors: **Charles Sued**, c/o Executive Machines,  
P.O. Box 320150, Brooklyn, NY (US)  
11232; **Aron Abramson**, c/o Executive  
Machines, P.O. Box 320150, Brooklyn,  
NY (US) 11232; **Joby Thomas**, 12527  
NW. 18th Manor, Pembroke Pines, FL  
(US) 33028

(\*\*) **Term:** **14 Years**

(21) **Appl. No.:** **29/317,195**

(22) **Filed:** **Apr. 24, 2008**

**Related U.S. Application Data**

(62) Division of application No. 29/297,078, filed on Nov.  
2, 2007, now Pat. No. Des. 577,059.

(51) **LOC (9) Cl.** ..... **18-04**

(52) **U.S. Cl.** ..... **D18/34.9**

(58) **Field of Classification Search** ..... D18/34.1-34.9;  
241/100, 236, 101.78; 83/613, 614, 623,  
83/57-68; 164/468; 30/294, 296.1, 275.4,  
30/276; D6/511; D9/439

See application file for complete search history.

(56) **References Cited**

**U.S. PATENT DOCUMENTS**

D327,904 S *	7/1992	Silver et al.	.....	D18/34.4
D410,946 S *	6/1999	Holderfield	.....	D18/34.5
D421,535 S *	3/2000	Swensson et al.	.....	D6/486
D424,439 S *	5/2000	Daniels	.....	D9/439
D444,278 S *	6/2001	Myers, Jr.	.....	D32/54
D444,809 S *	7/2001	Chang	.....	D18/34.4
D455,171 S *	4/2002	Ho	.....	D18/34.6
D476,457 S *	6/2003	Verbeek	.....	D34/7
D481,416 S *	10/2003	Chang	.....	D18/34.4
D485,716 S *	1/2004	Boron	.....	D6/511

D531,659 S *	11/2006	Lo	.....	D18/34.5
D532,445 S *	11/2006	Lo	.....	D18/34.5
D534,944 S *	1/2007	Bai	.....	D18/34.4
D535,322 S *	1/2007	Lo	.....	D18/34.4
D535,684 S *	1/2007	Lo	.....	D18/34.5
D539,498 S *	3/2007	Yang et al.	.....	D34/9
D541,842 S *	5/2007	Sezaki	.....	D18/34.5
D544,526 S *	6/2007	Shuhui et al.	.....	D18/34.4
D544,905 S *	6/2007	Abramson et al.	.....	D18/34.9
D545,890 S *	7/2007	Abramson et al.	.....	D18/34.9
D548,272 S *	8/2007	Joachim et al.	.....	D18/34.5
D548,273 S *	8/2007	Joachim et al.	.....	D18/34.5
D551,698 S *	9/2007	Shuhui et al.	.....	D18/34.5
D577,059 S *	9/2008	Sued et al.	.....	D18/34.4
D580,480 S *	11/2008	Sued et al.	.....	D18/34.5

\* cited by examiner

*Primary Examiner*—Charles A Rademaker

(74) *Attorney, Agent, or Firm*—Garcia-Zamor IP Law; Ruy  
M. Garcia-Zamor

(57) **CLAIM**

The ornamental design for a shredder, as shown and  
described.

**DESCRIPTION**

FIG. 1 is a perspective view of a shredder showing our new  
design;

FIG. 2 is a front elevation thereof;

FIG. 3 is a rear elevation thereof;

FIG. 4 is a left side elevation thereof;

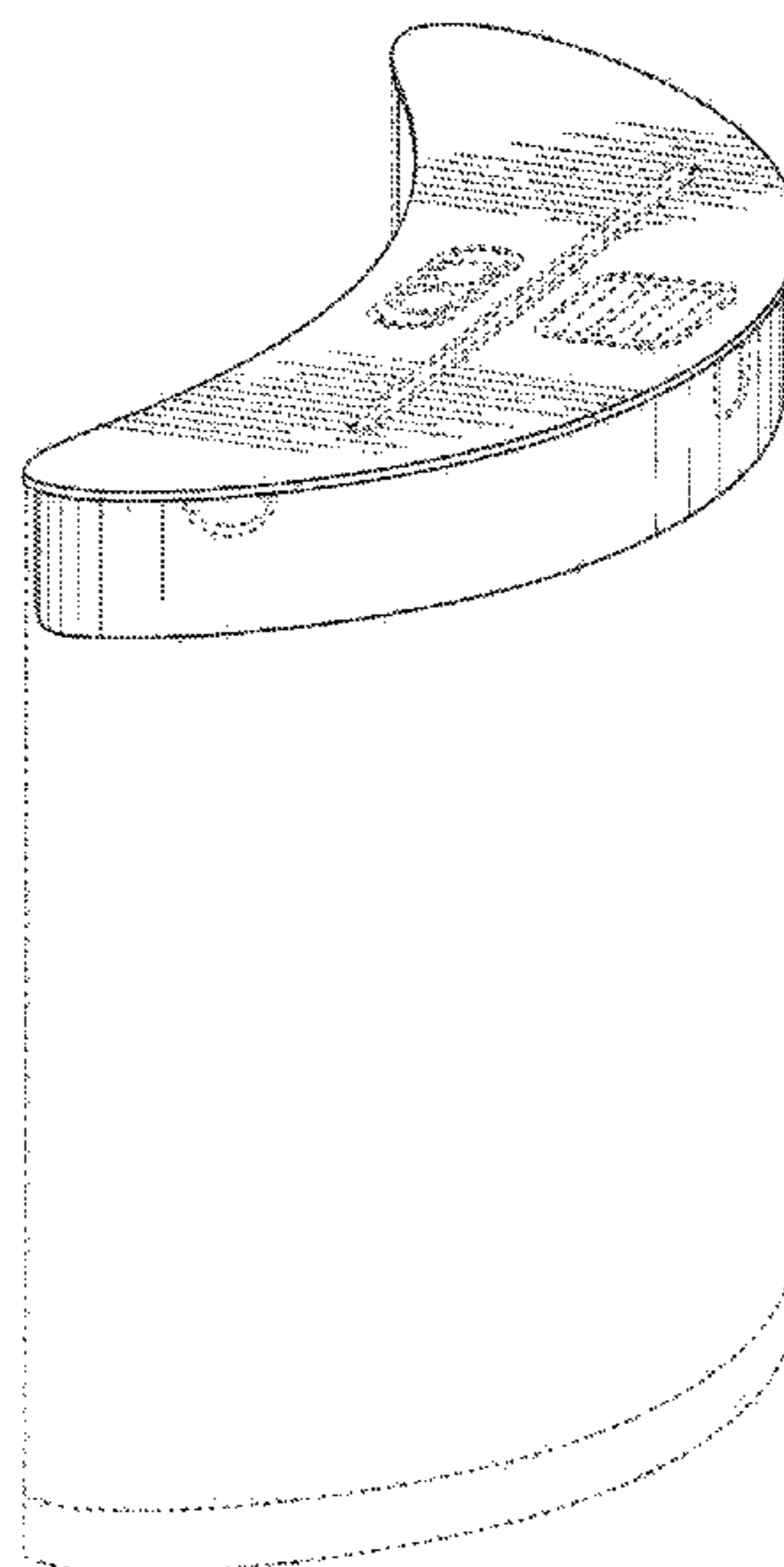
FIG. 5 is a right side elevation thereof;

FIG. 6 is a top plan view thereof; and,

FIG. 7 is a bottom plan view thereof.

The broken line shown in the figure drawings are for illustra-  
tive purposes only and form no part of the claimed design.

**1 Claim, 5 Drawing Sheets**



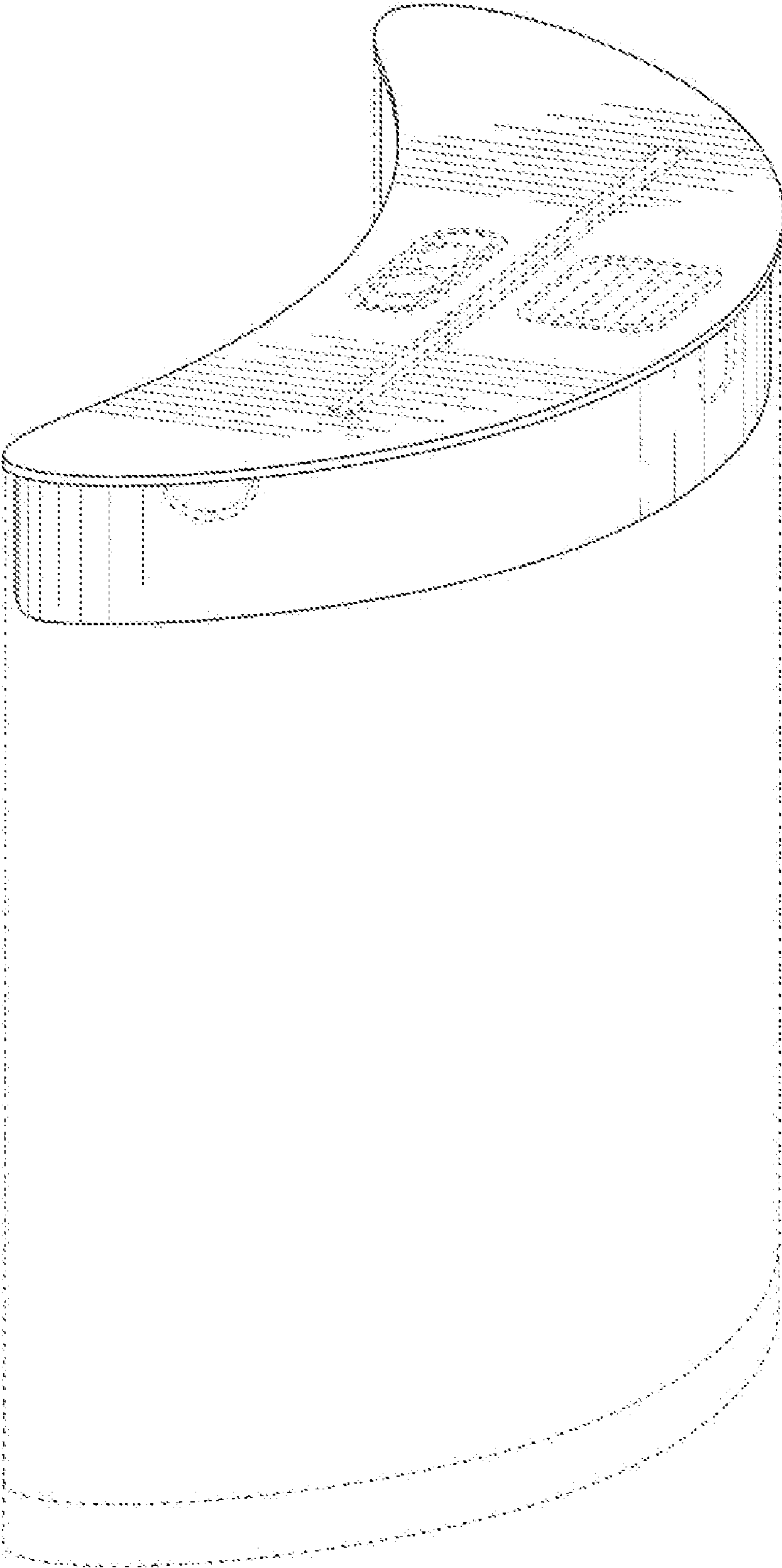


FIG. 1

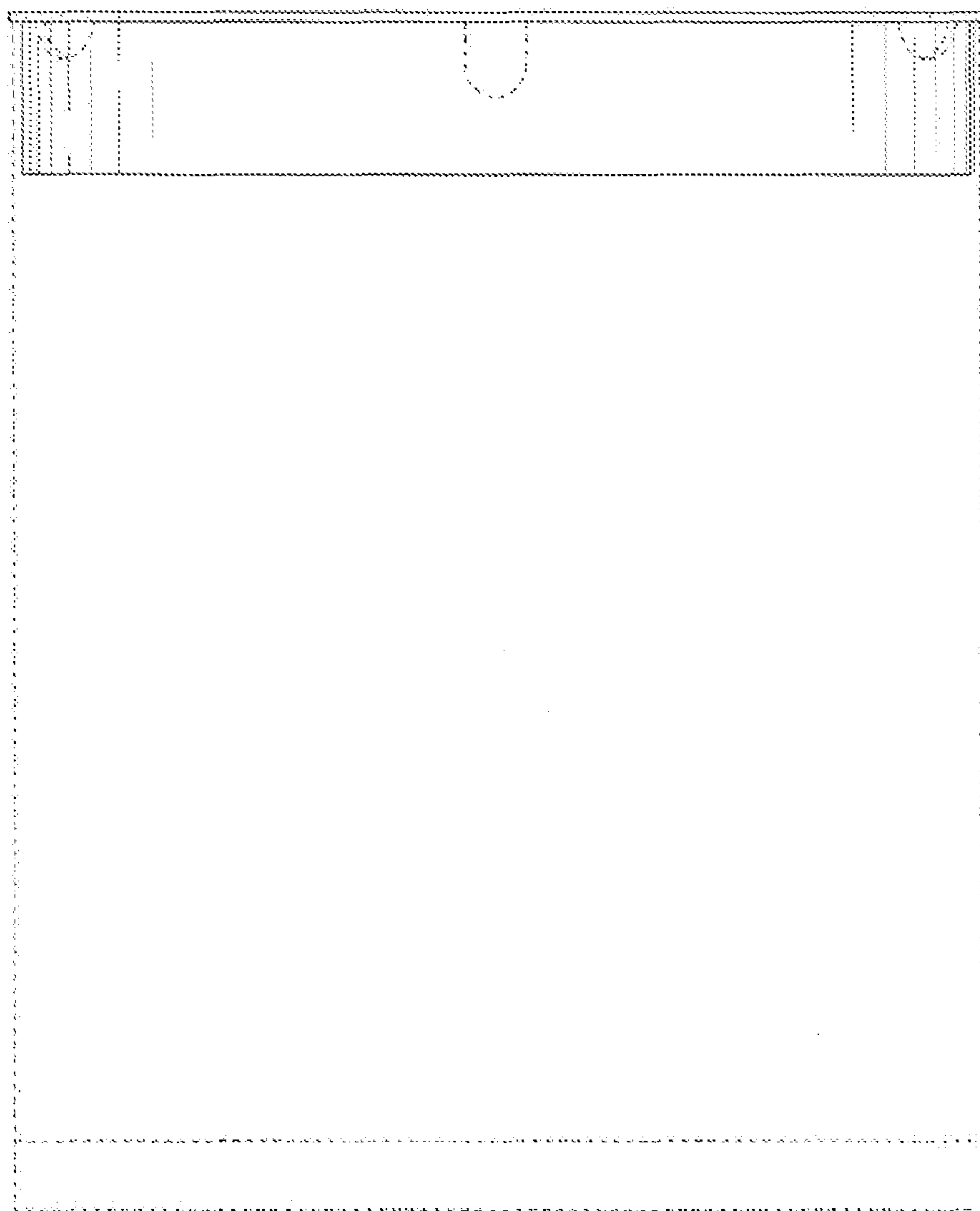


FIG. 2

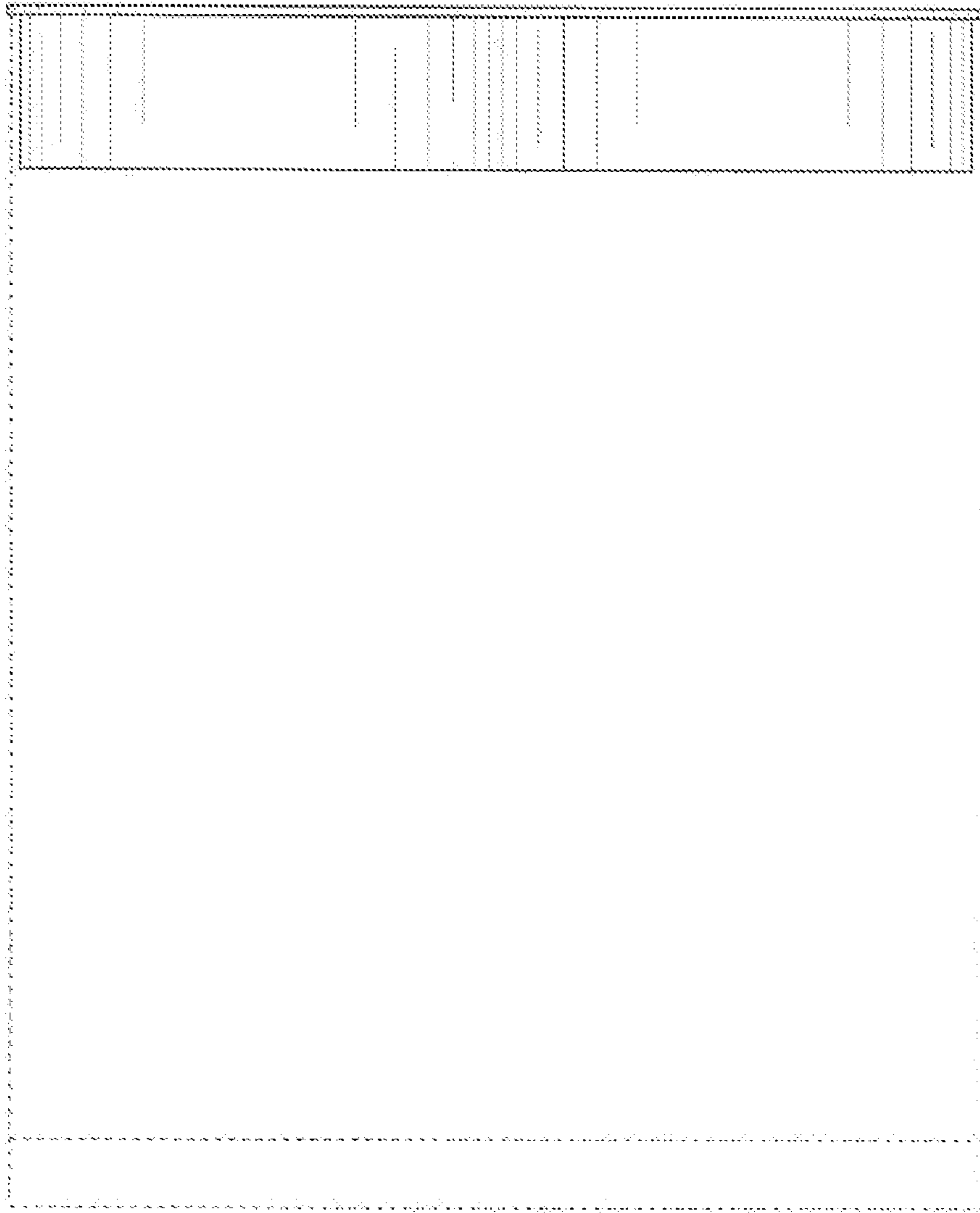


FIG. 3

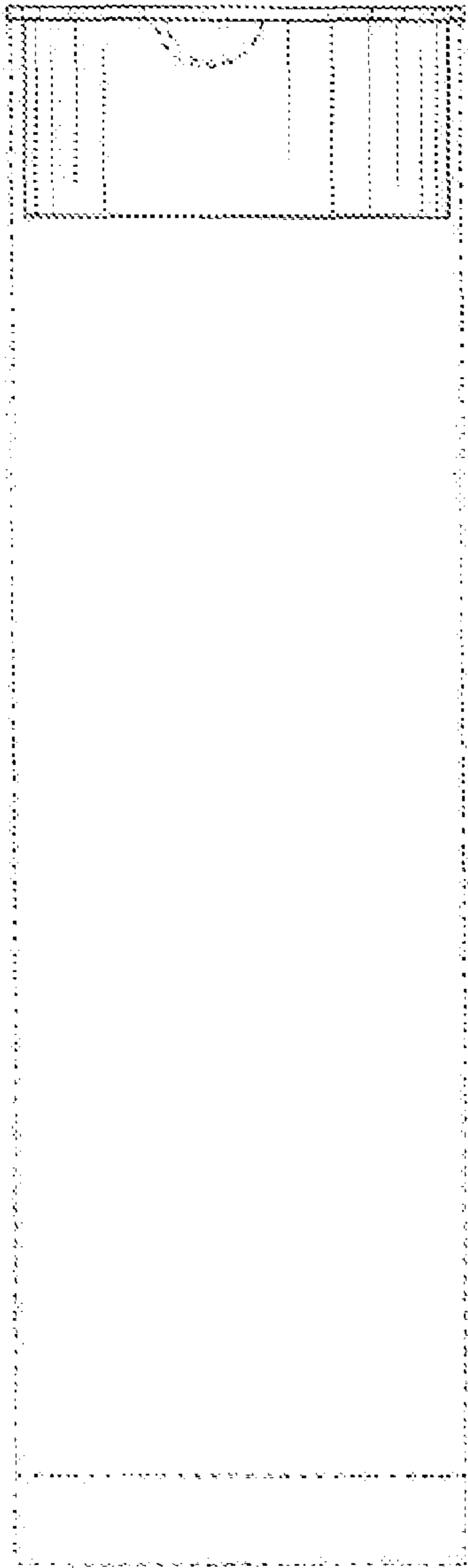


FIG. 4

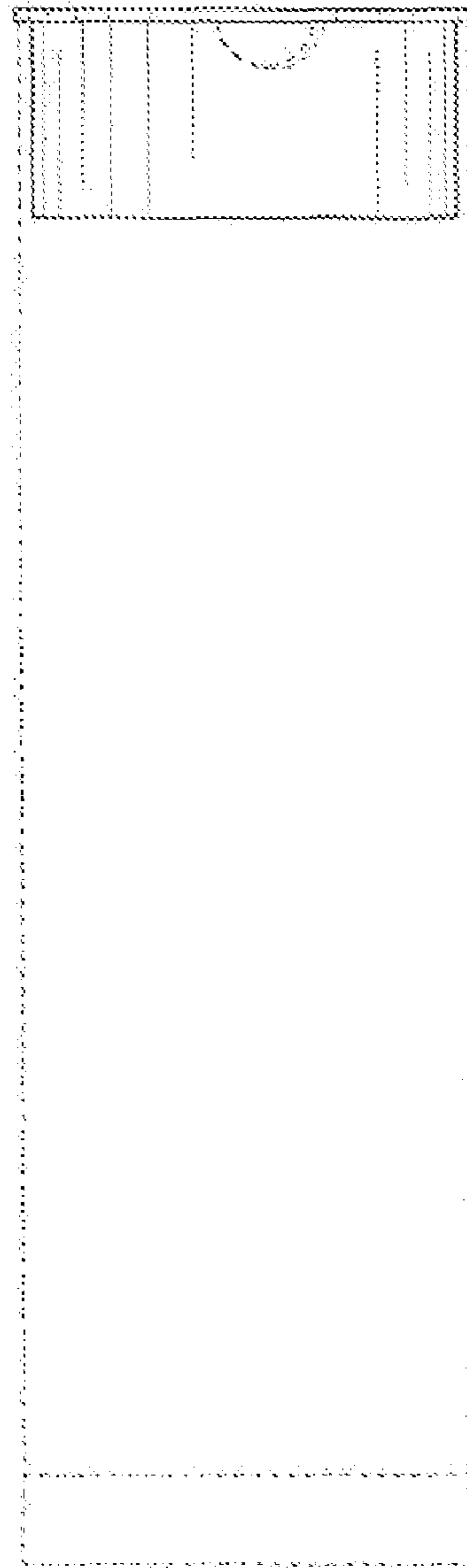


FIG. 5

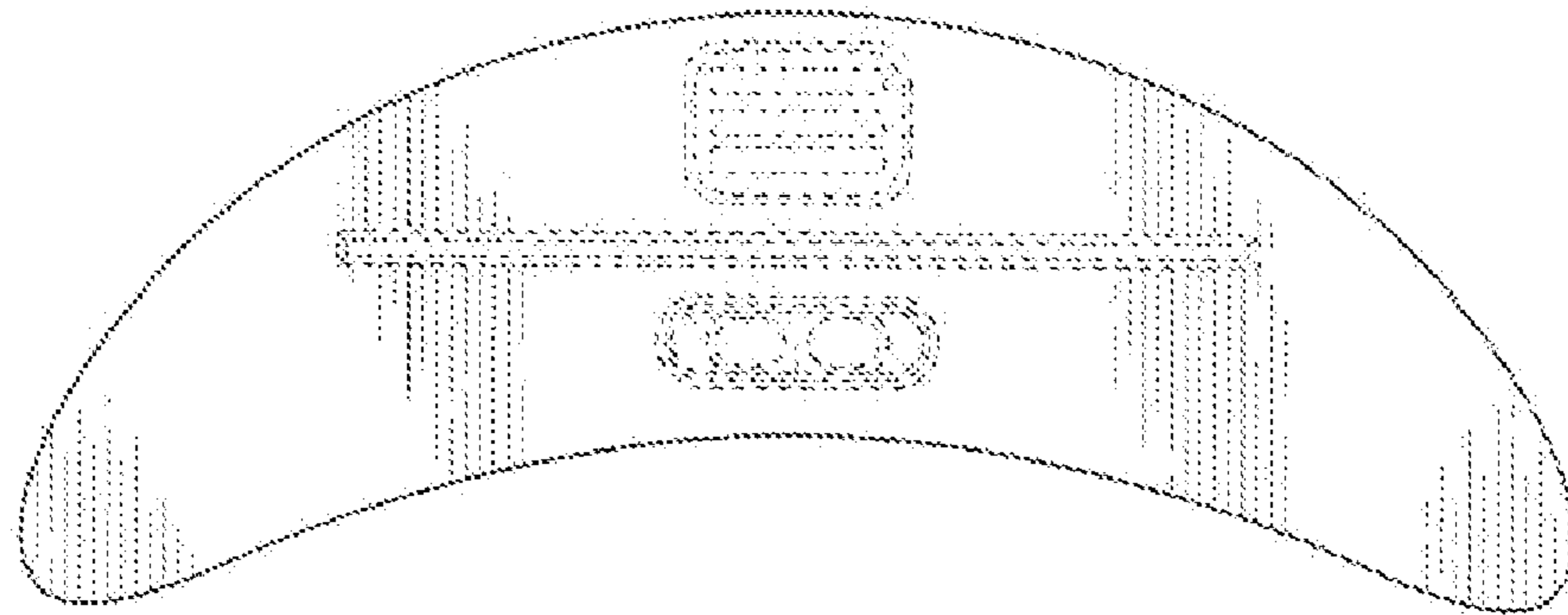


FIG. 6

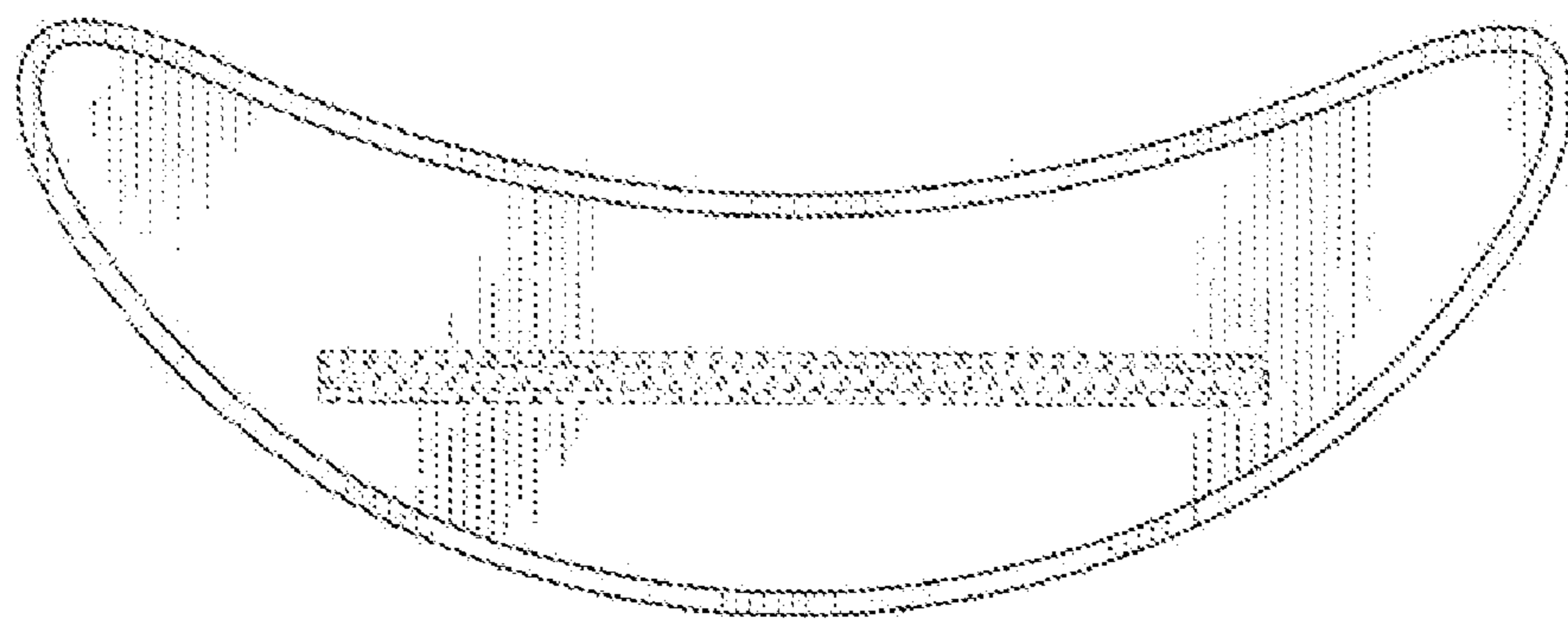


FIG. 7