



US00D600737S

(12) **United States Design Patent**
Sudhana

(10) **Patent No.:** **US D600,737 S**

(45) **Date of Patent:** **** Sep. 22, 2009**

(54) **TRIPOD FOR PHOTOGRAPHIC APPARATUSES**

(75) Inventor: **Hem Sudhana**, Cassola (IT)

(73) Assignee: **Gitzo S.A.**, Rungis (FR)

(**) Term: **14 Years**

(21) Appl. No.: **29/303,848**

(22) Filed: **Feb. 19, 2008**

(30) **Foreign Application Priority Data**

Aug. 22, 2007 (EM) 000777131

(51) **LOC (9) Cl.** **16-05**

(52) **U.S. Cl.** **D16/244**

(58) **Field of Classification Search** D16/237,
D16/242, 244-245; 248/176.1, 176.3, 177.1,
248/186.1, 187.1, 168-171, 183.2, 183.1,
248/185.1, 188.7, 188.3, 188.6; 396/218,
396/419, 422, 428

See application file for complete search history.

(56) **References Cited**

U.S. PATENT DOCUMENTS

6,983,916 B2 * 1/2006 Raynaud 248/163.2
7,047,960 B2 * 5/2006 McCrea 124/86

7,128,297 B2 * 10/2006 Lee 248/187.1
7,364,125 B2 * 4/2008 Speggiorin 248/181.1
2003/0226941 A1 * 12/2003 Crain et al. 248/166
2006/0175484 A1 * 8/2006 Wood et al. 248/177.1
2007/0235604 A1 * 10/2007 Speggiorin 248/177.1

* cited by examiner

Primary Examiner—Ian Simmons

Assistant Examiner—Wan Laymon

(74) *Attorney, Agent, or Firm*—Castelland PLLC; Kristina Castellano

(57) **CLAIM**

The ornamental design for a tripod for photographic apparatuses, as shown and described.

DESCRIPTION

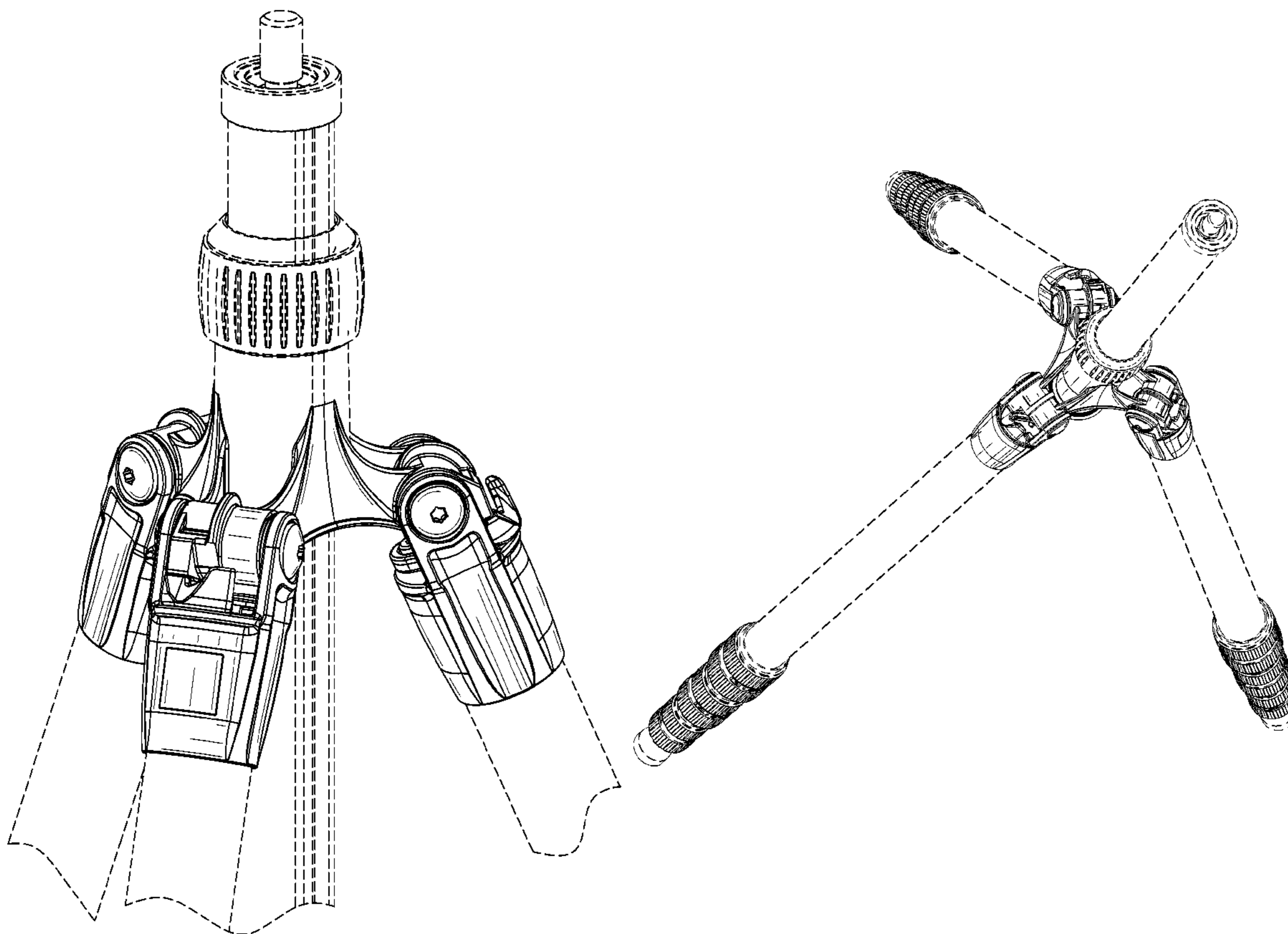
FIG. 1 is a top perspective view of a tripod for photographic apparatuses showing my new design;

FIG. 2 is a another top perspective view thereof, shown on a reduced scale; and,

FIG. 3 is another perspective view thereof in a different operative position.

The broken lines are shown in the views for illustrative purposes only, and form no part of the claimed design.

1 Claim, 3 Drawing Sheets



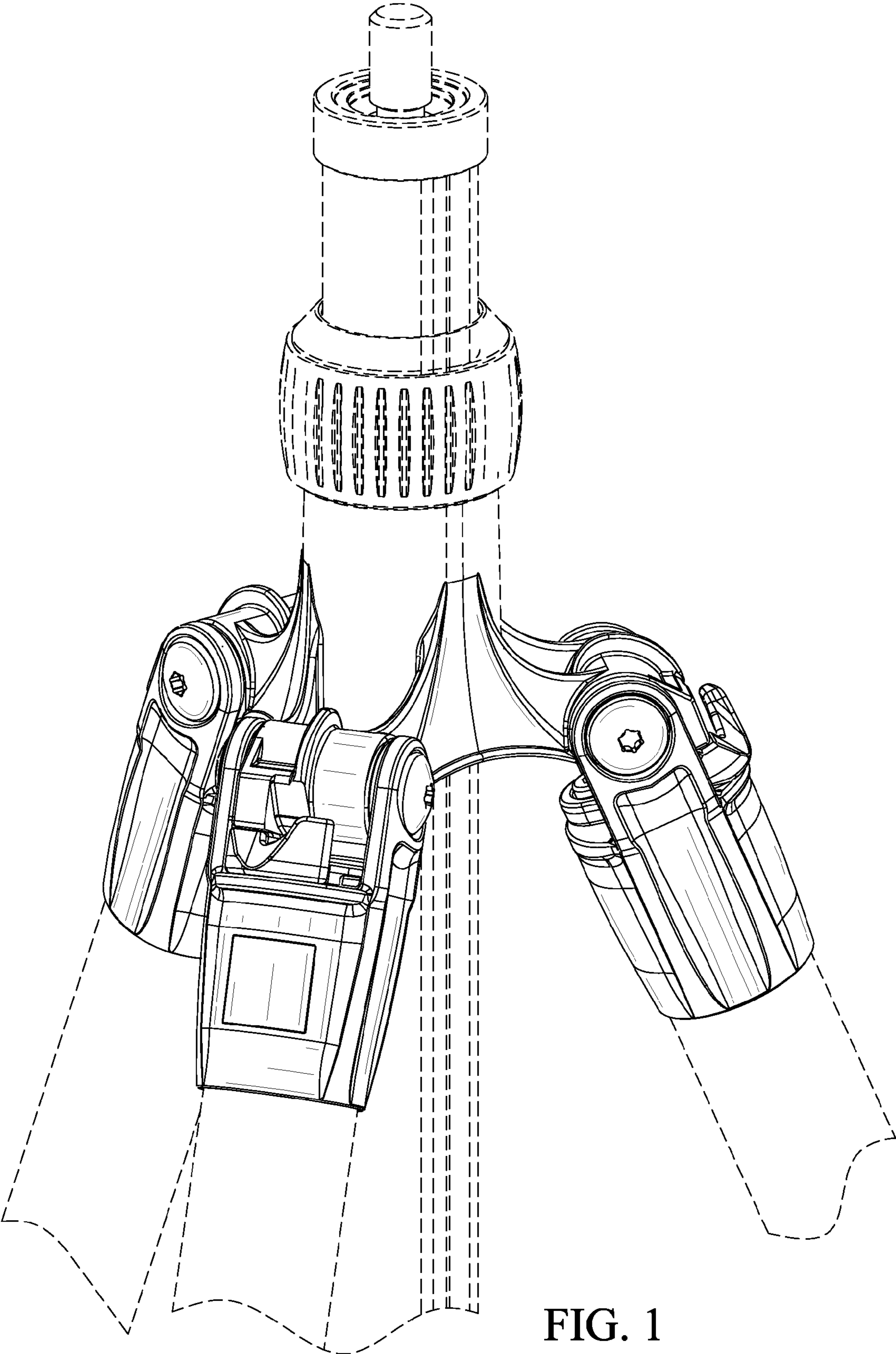


FIG. 1

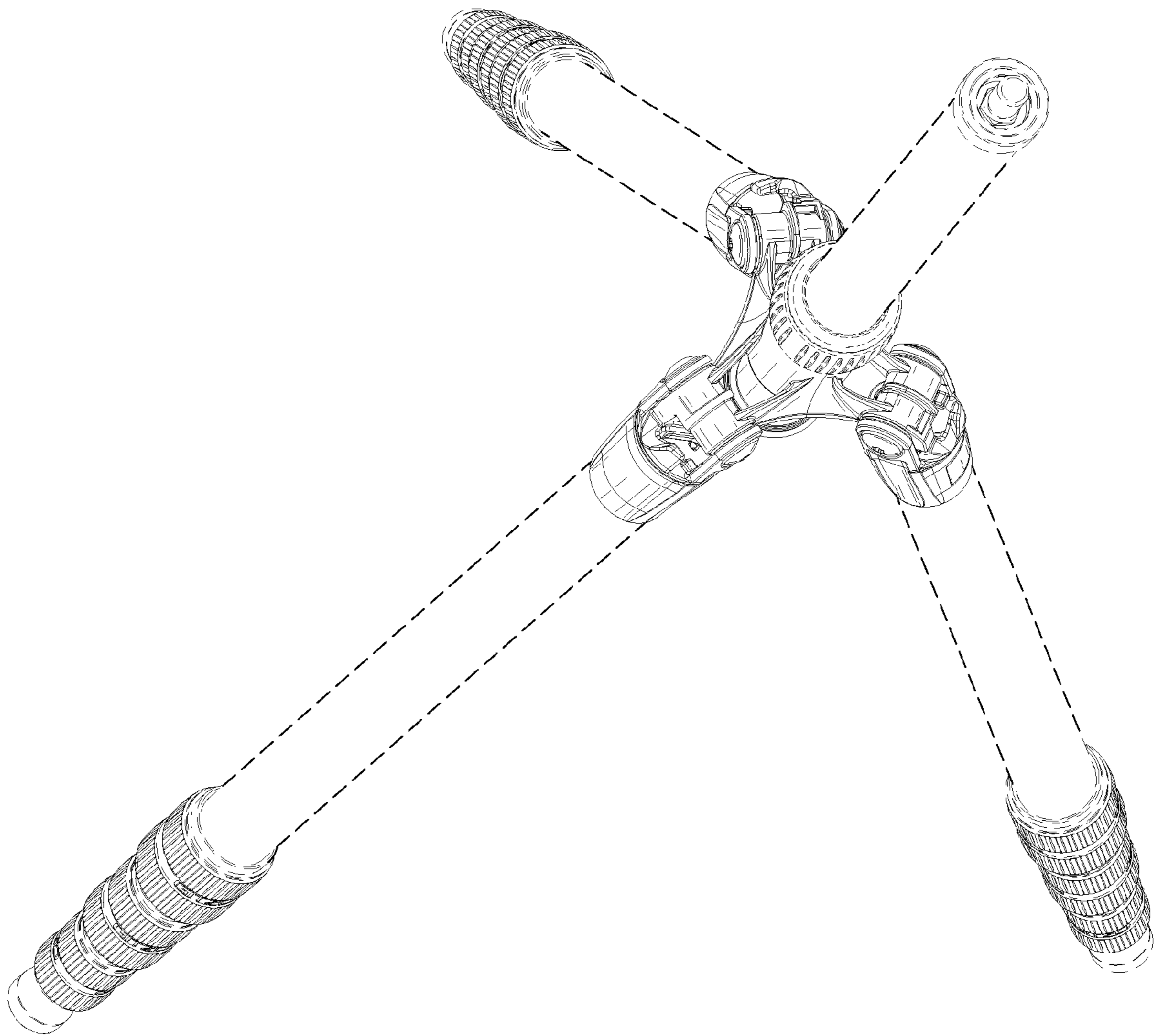


FIG. 2

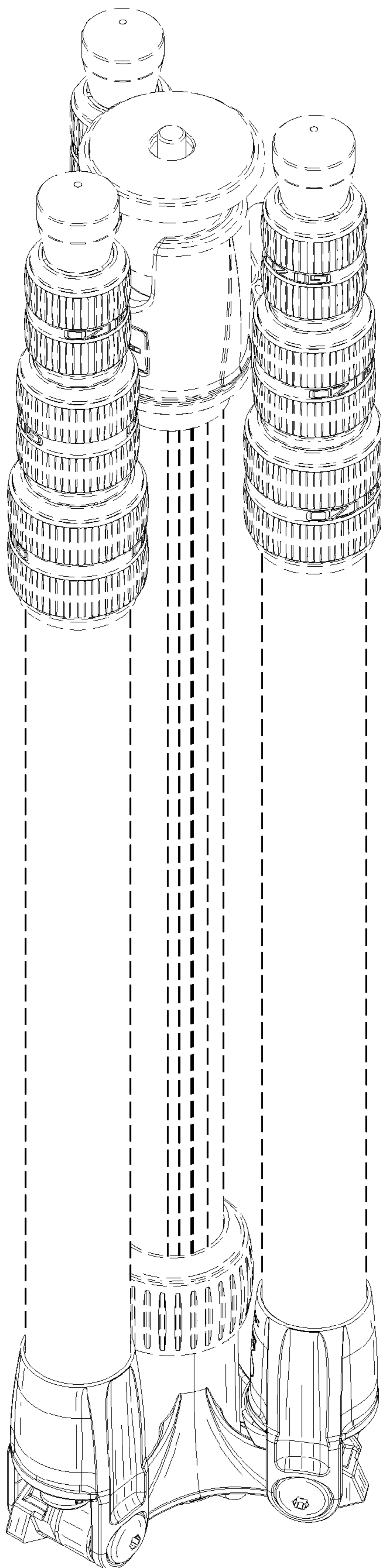


FIG. 3