



US00D600736S

(12) **United States Design Patent**
Zen

(10) **Patent No.:** **US D600,736 S**
(45) **Date of Patent:** **** Sep. 22, 2009**

(54) **SUPPORT HEAD FOR VIDEO AND PHOTOGRAPHIC APPARATUSES**

(75) Inventor: **Andrea Zen**, Bassano Del Grappa (IT)

(73) Assignee: **Gitzo, S.A.**, Rungis (FR)

(**) Term: **14 Years**

(21) Appl. No.: **29/301,284**

(22) Filed: **Feb. 21, 2008**

(51) **LOC (9) Cl.** **16-05**

(52) **U.S. Cl.** **D16/242**

(58) **Field of Classification Search** D16/237,
D16/242, 244–245; 248/176.1, 177.1, 176.3,
248/178.1, 181.1, 181.2, 183.1, 183.2, 185.1,
248/187.1, 288.31, 288.51, 481, 484; 352/243;
396/419–422, 218, 428

See application file for complete search history.

(56) **References Cited**

U.S. PATENT DOCUMENTS

D246,528 S *	11/1977	Miller	D16/245
4,959,671 A *	9/1990	Ishikawa	396/428
D323,339 S *	1/1992	Ishikawa	D16/245
D382,288 S *	8/1997	Usui	D16/245
D467,605 S *	12/2002	Dordick	D16/242
D484,168 S *	12/2003	Dordick	D16/242
D537,859 S *	3/2007	Speggiorin	D16/245
7,387,284 B2 *	6/2008	Chang	248/206.5
D576,658 S *	9/2008	Speggiorin	D16/242
2006/0175482 A1 *	8/2006	Johnson	248/176.1
2007/0152116 A1 *	7/2007	Madsen	248/181.1
2008/0121767 A1 *	5/2008	Wimberley	248/181.1

* cited by examiner

Primary Examiner—Ian Simmons

Assistant Examiner—Wan Laymon

(74) *Attorney, Agent, or Firm*—James C. Eaves, Jr.;
Greenbaum Doll & McDonald PLLC

(57) **CLAIM**

The ornamental design for a support head for video and photographic apparatuses, as shown and described.

DESCRIPTION

FIG. 1 is a top front left side perspective view of the support head of the present design, the portion in broken lines showing attachment means of the support head to a video photographic apparatus, which may be of any suitable type and therefore is not part of the present design;

FIG. 2 is a top plan view of the support head of the present design, the portion in broken lines forming no part of the present design;

FIG. 3 is a front view of the support head of the present design, the portion in broken lines forming no part of the present design;

FIG. 4 is a left side view of the support head of the present design, the portion in broken lines forming no part of the present design;

FIG. 5 is a right side view of the support head of the present design, the portion in broken lines forming no part of the present design;

FIG. 6 is a back view of the support head of the present design, the portion in broken lines forming no part of the present design;

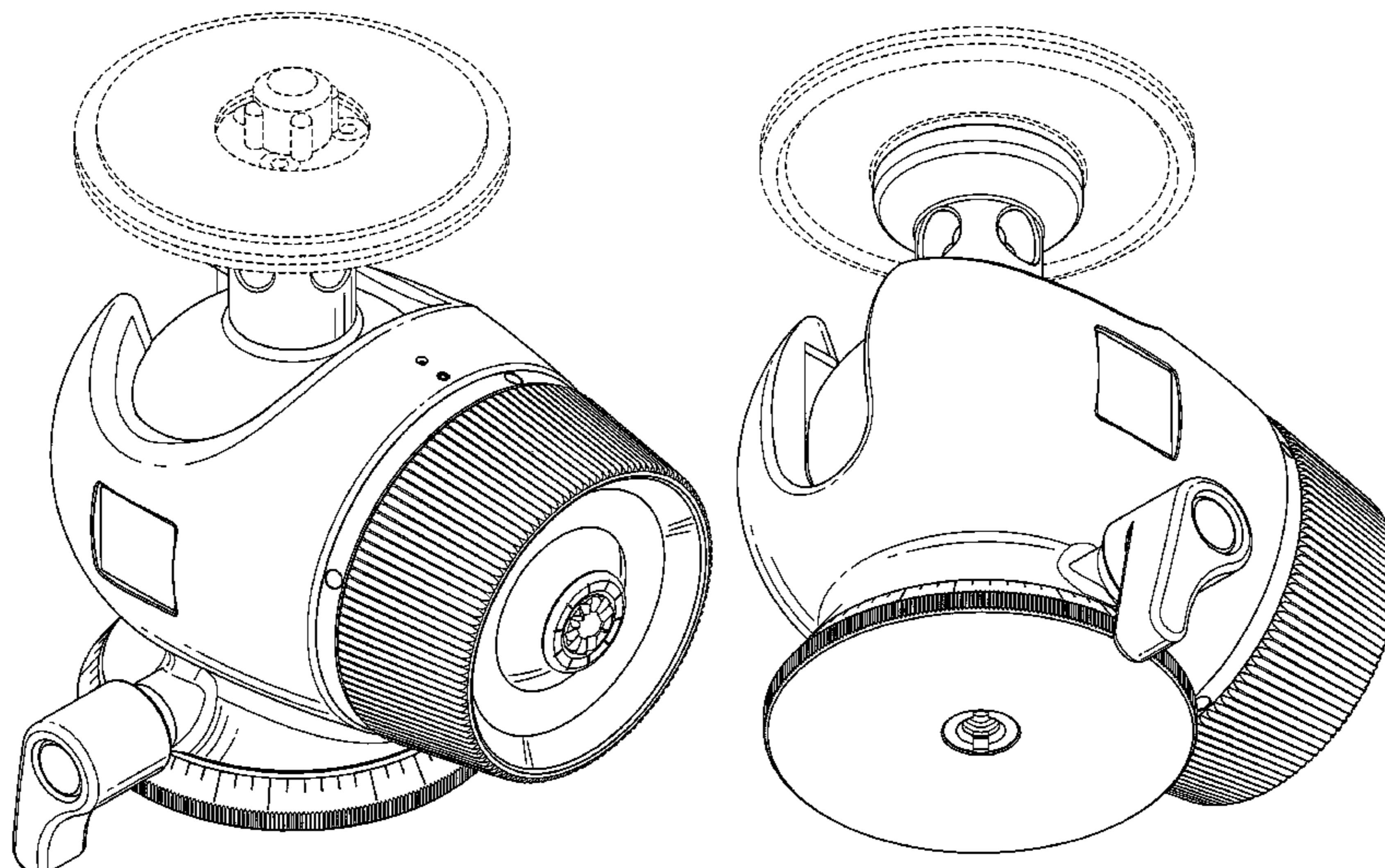
FIG. 7 is a bottom plan view of the support head of the present design;

FIG. 8 is a top back left side perspective view of the support head of the present design, the portion in broken lines forming no part of the present design;

FIG. 9 is a bottom front left side perspective view of the support head of the present design, the portion in broken lines forming no part of the present design; and,

FIG. 10 is a bottom back left side perspective view of the support head of the present design, the portion in broken lines forming no part of the present design.

1 Claim, 10 Drawing Sheets



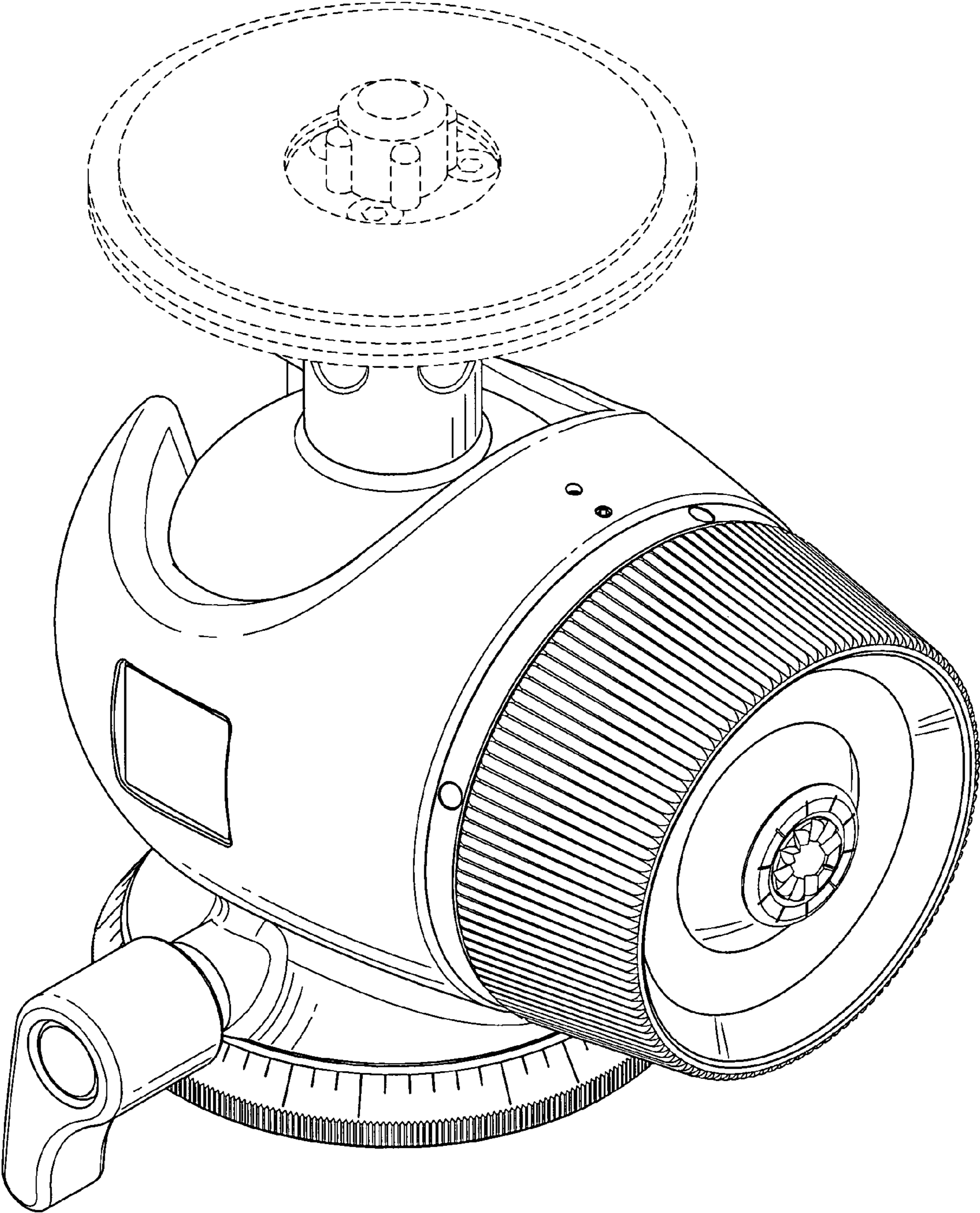


FIG. 1

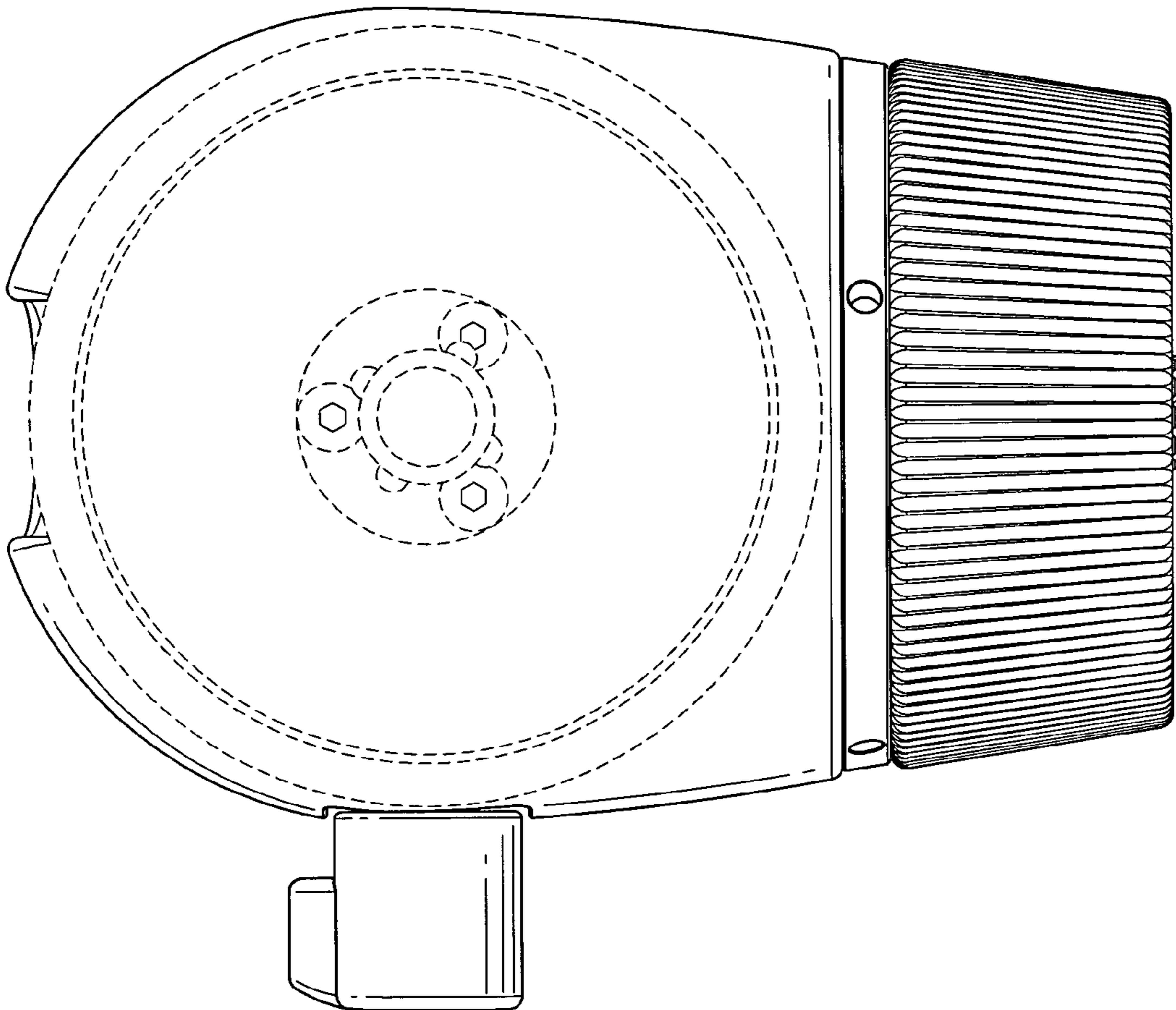


FIG. 2

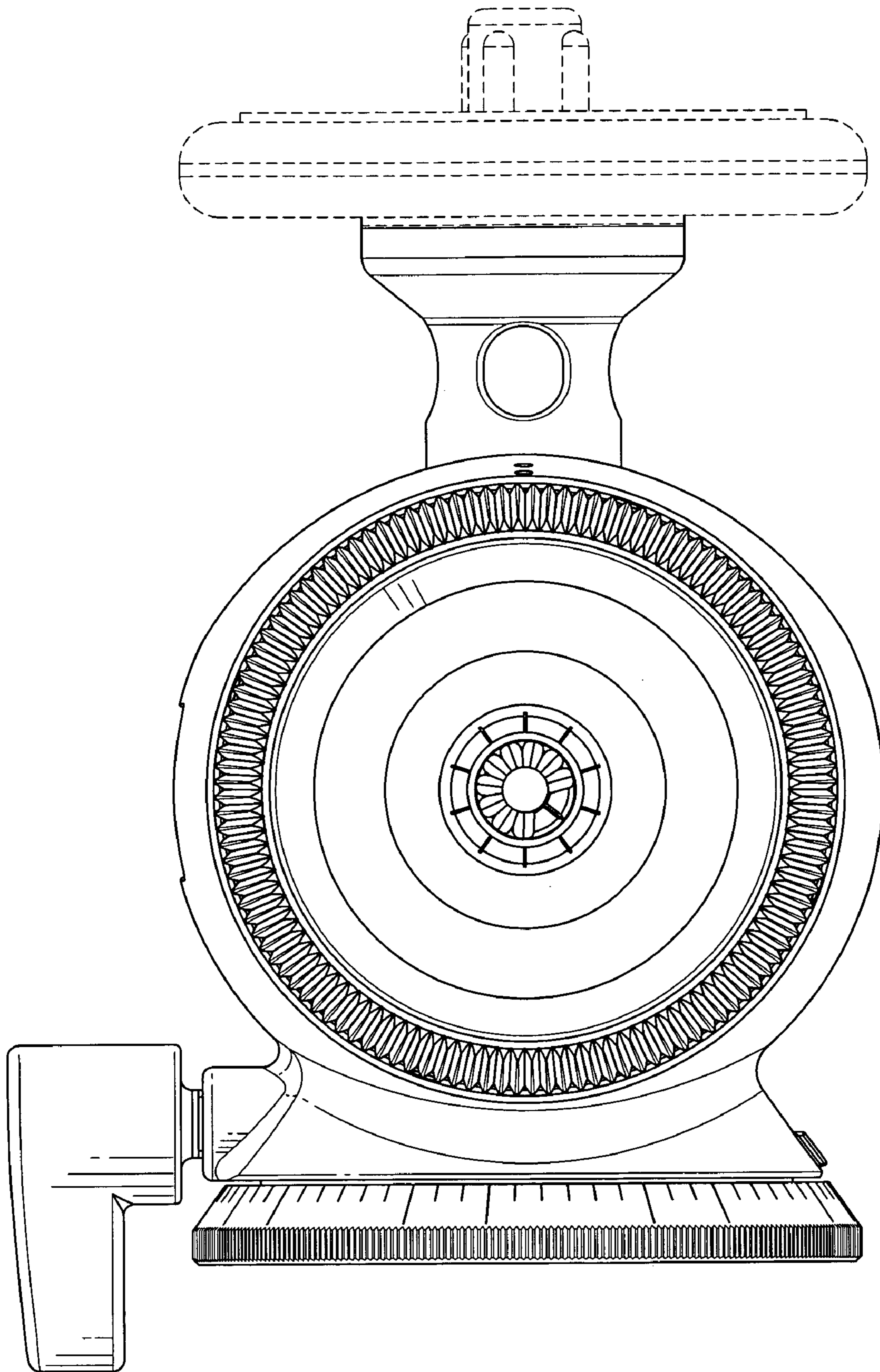


FIG. 3

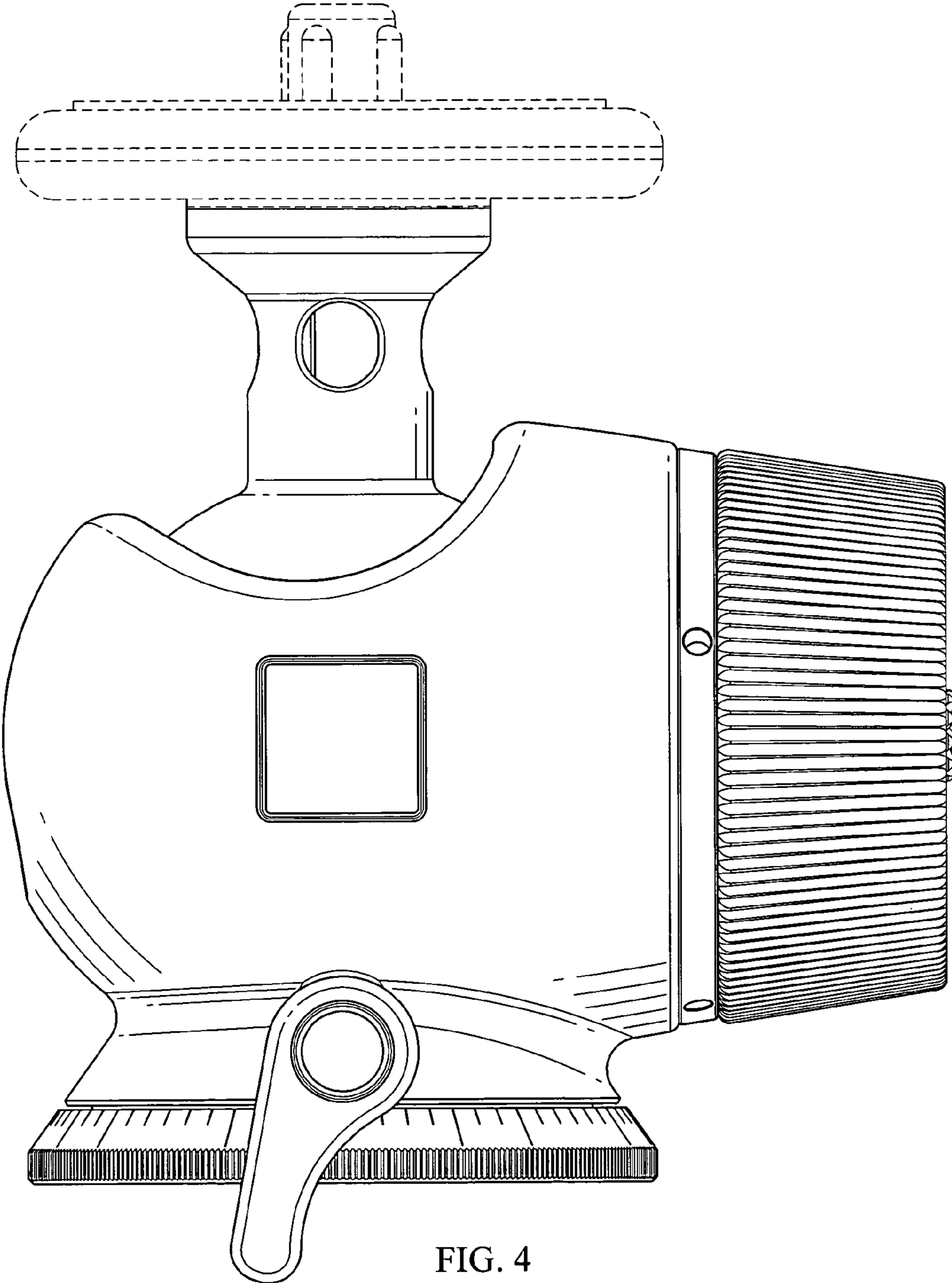


FIG. 4

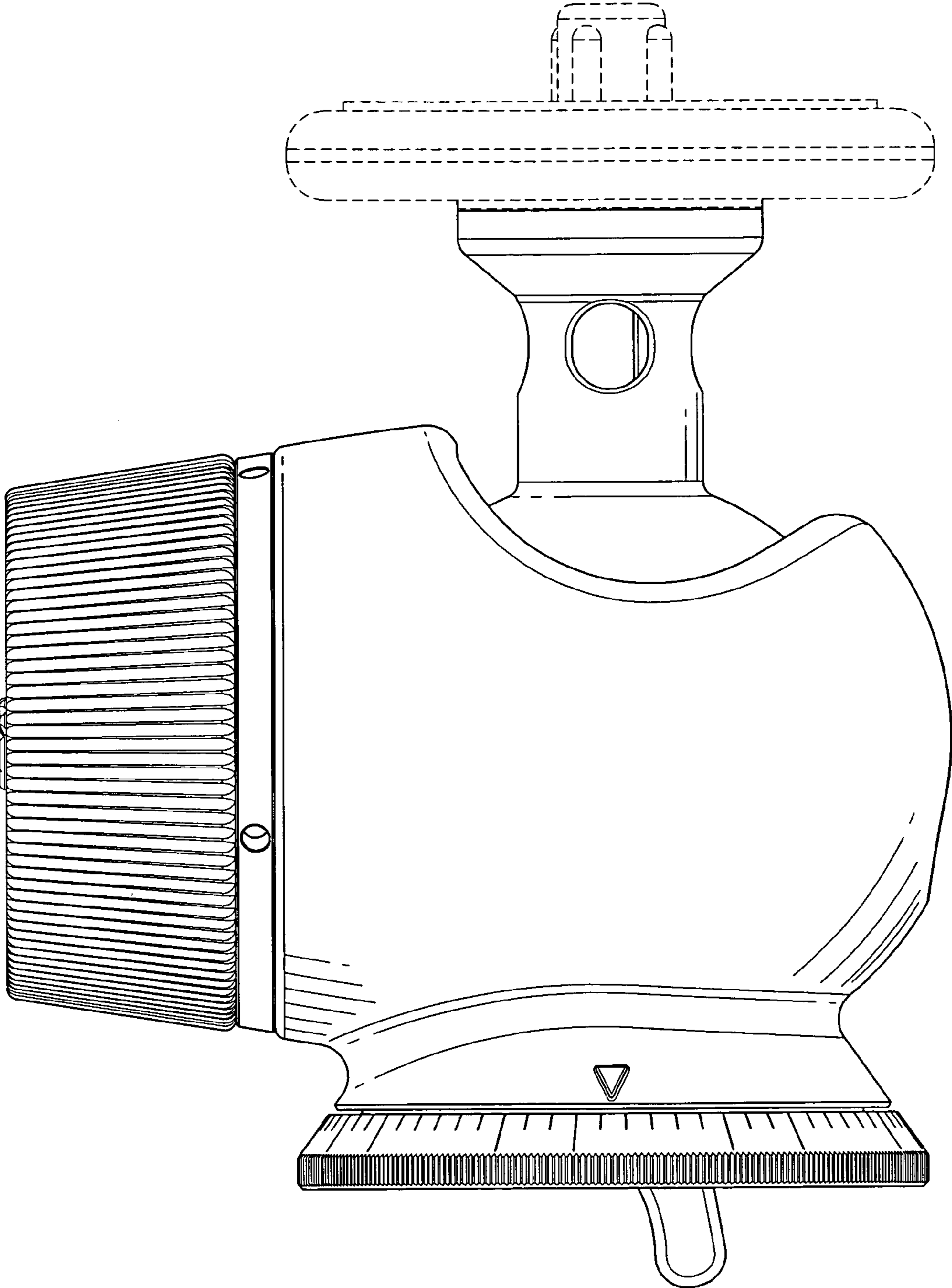


FIG. 5

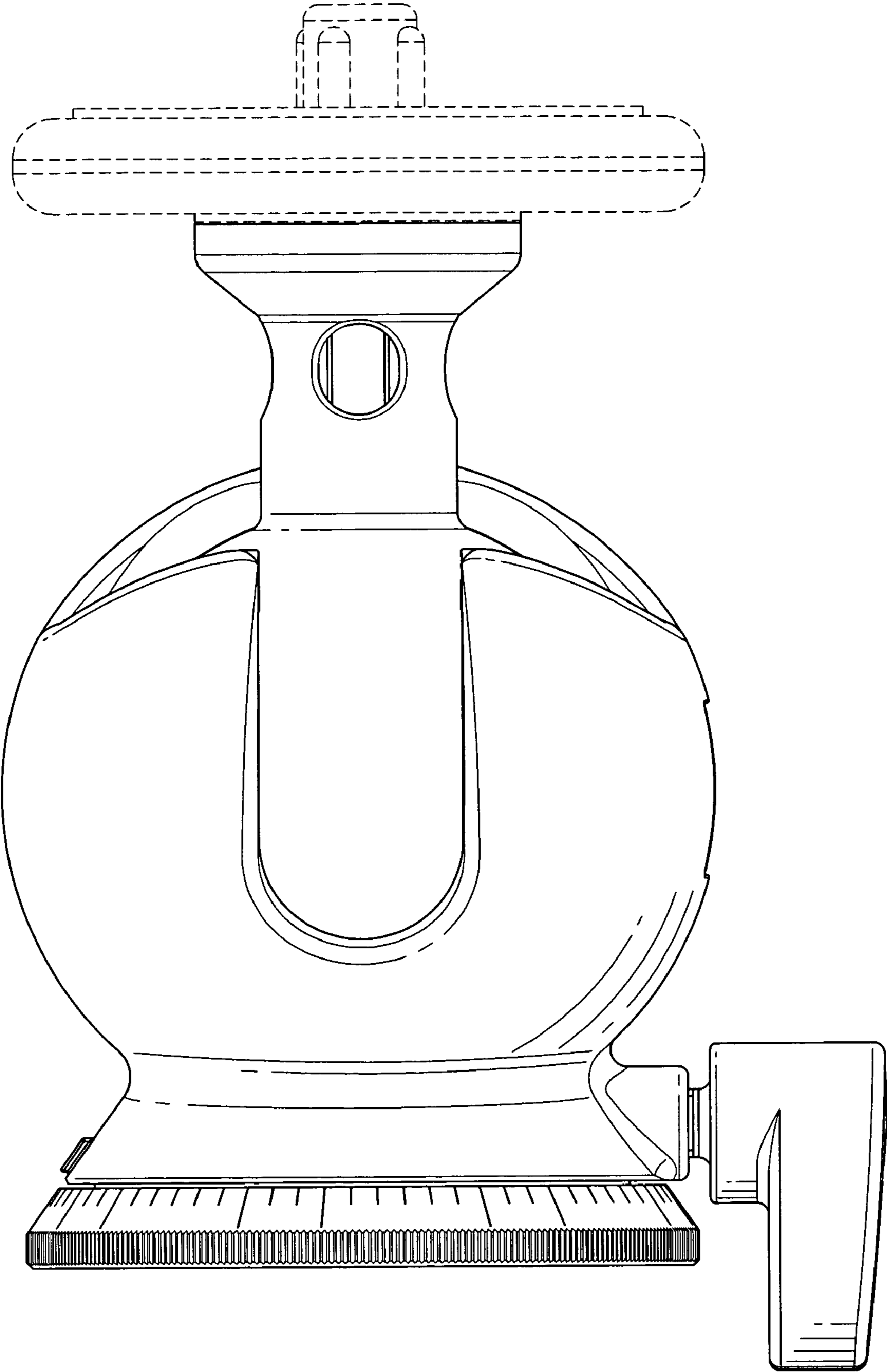


FIG. 6

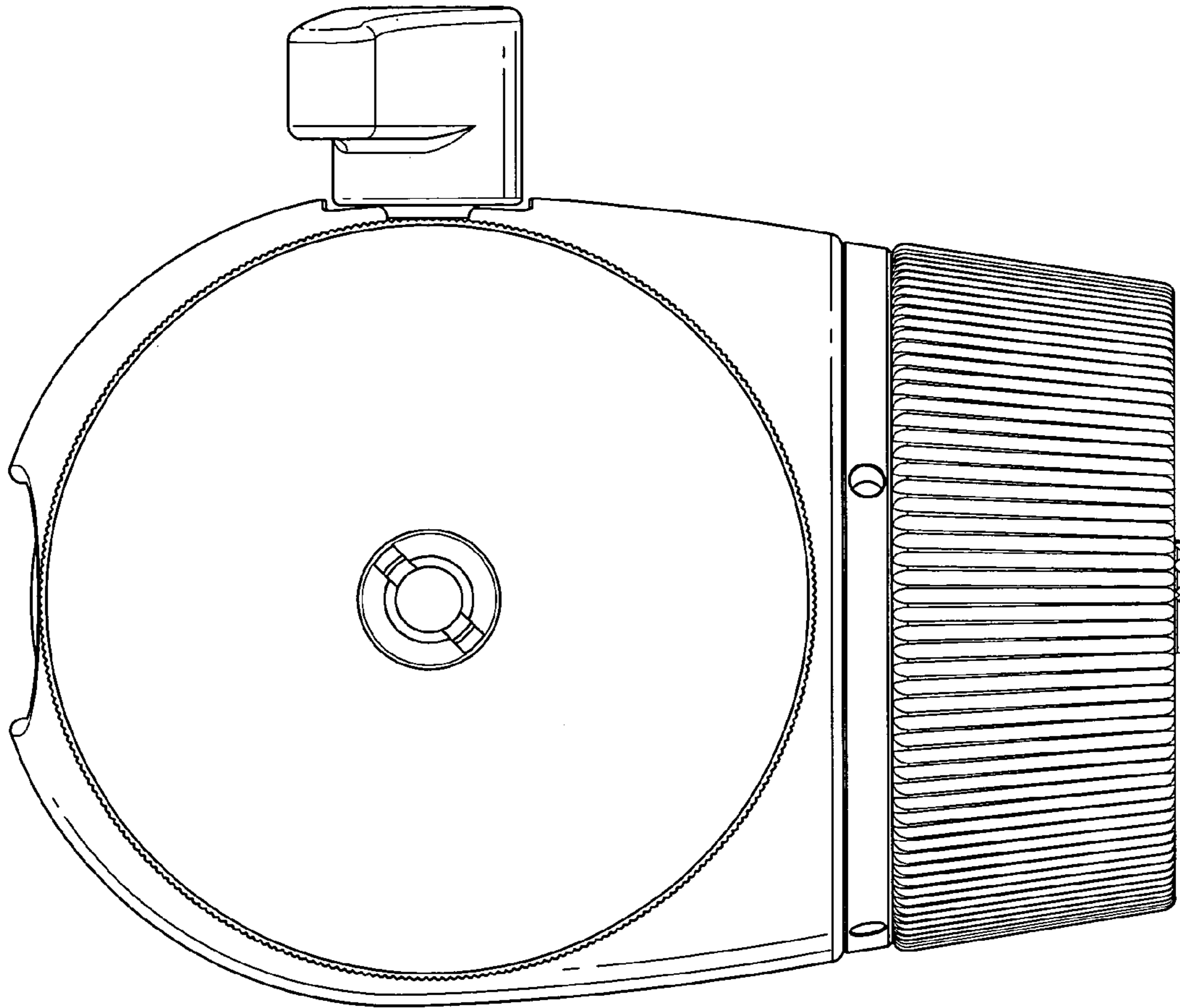


FIG. 7

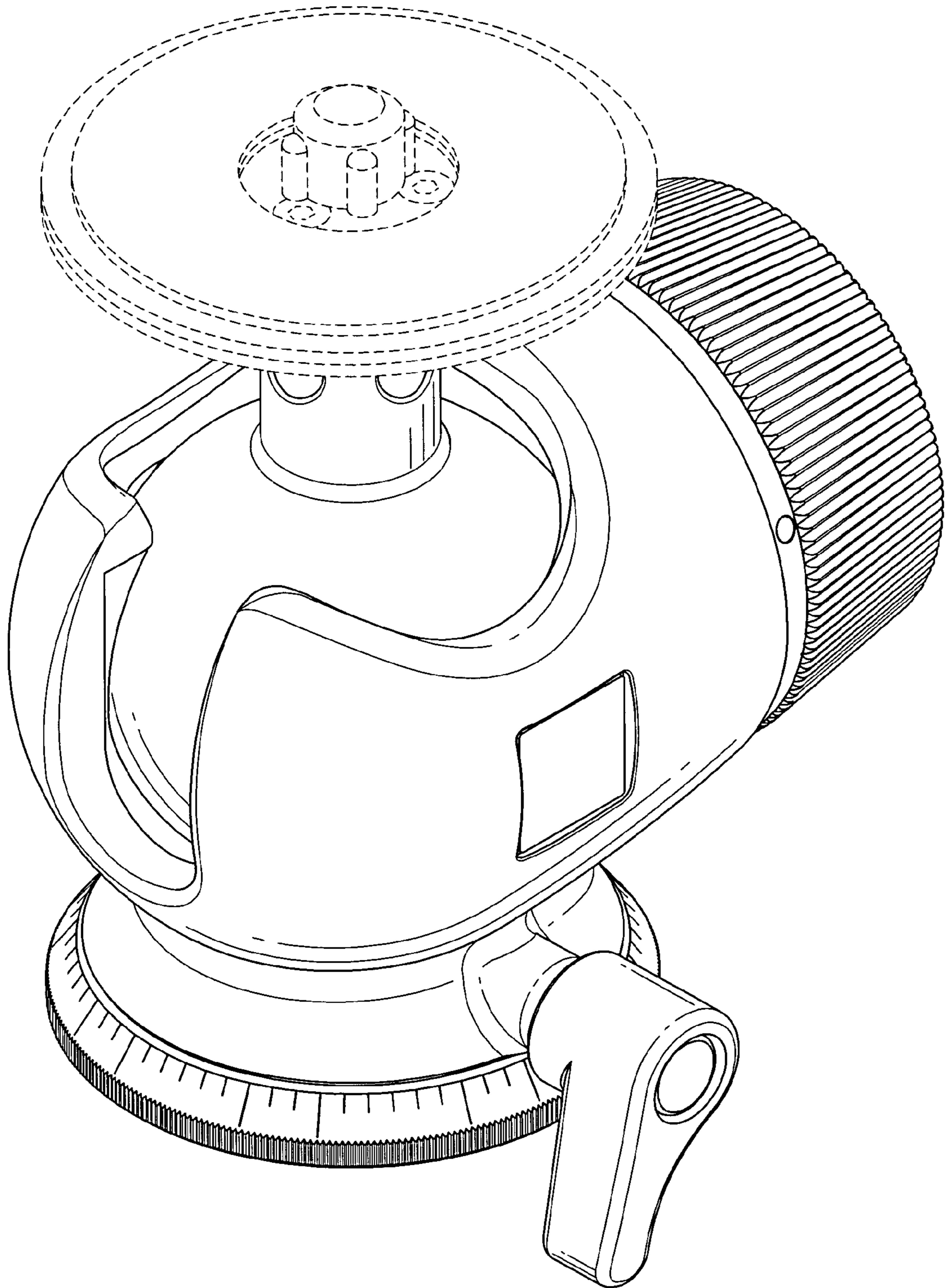


FIG. 8

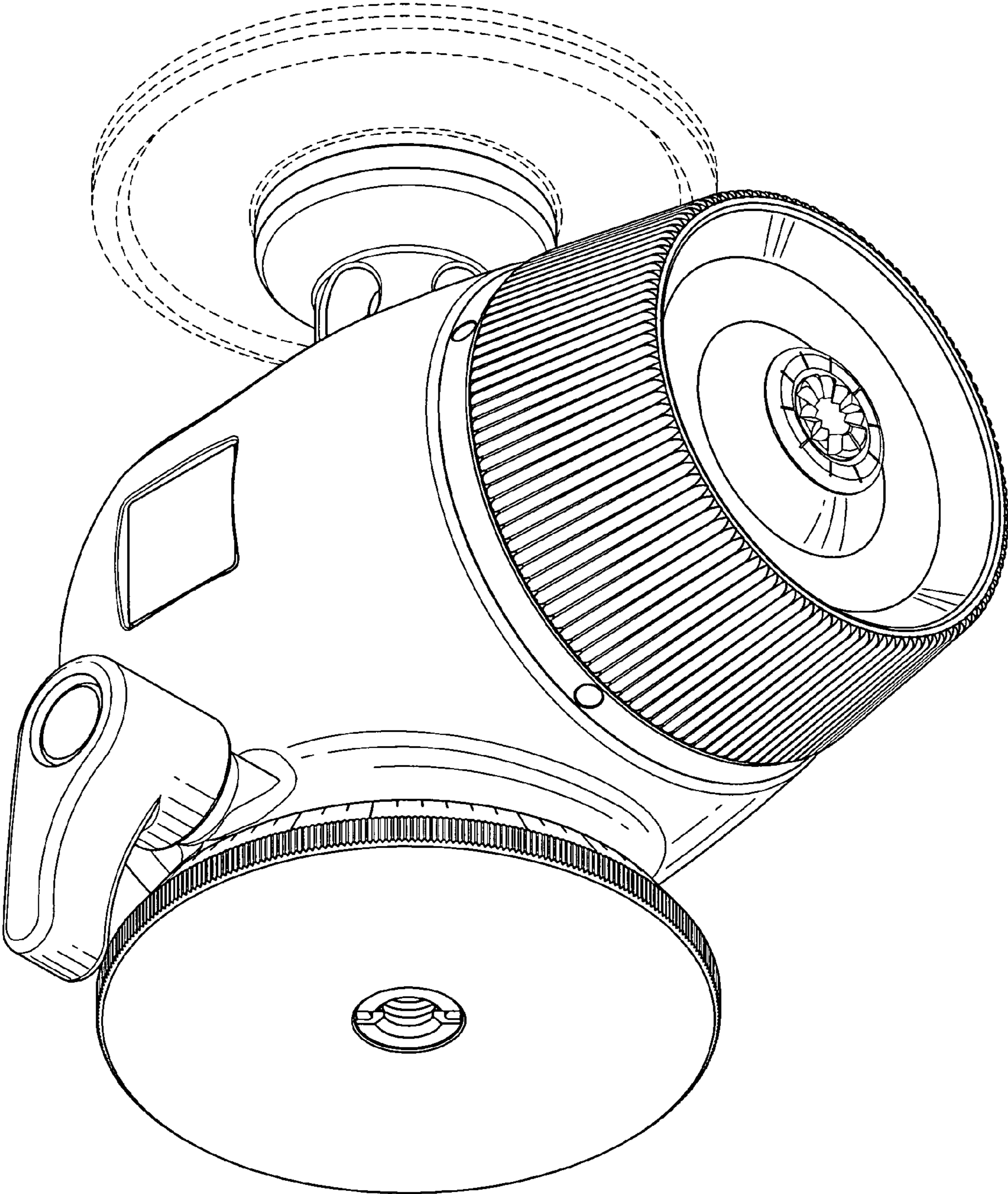


FIG. 9

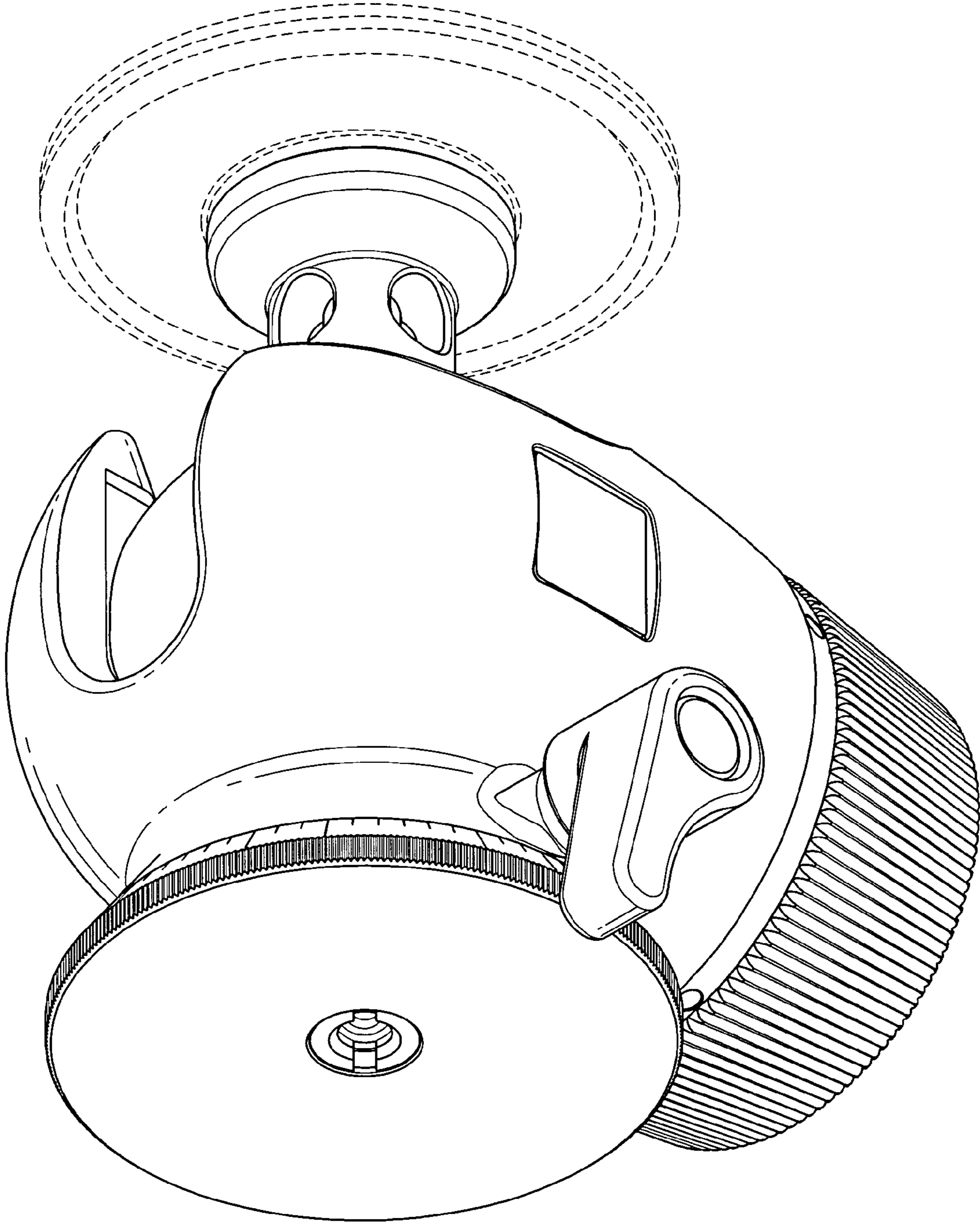


FIG. 10