



US00D600733S

(12) **United States Design Patent**
Kim

(10) **Patent No.:** **US D600,733 S**

(45) **Date of Patent:** **** Sep. 22, 2009**

(54) **PORTION OF AN ELECTRONIC CAMERA**

(75) Inventor: **Young Soo Kim**, Bellevue, WA (US)

(73) Assignee: **Microsoft Corporation**, Redmond, WA (US)

(**) Term: **14 Years**

(21) Appl. No.: **29/304,699**

(22) Filed: **Mar. 6, 2008**

(51) **LOC (9) Cl.** **16-01**

(52) **U.S. Cl.** **D16/218**

(58) **Field of Classification Search** D16/200–205,
D16/208, 213, 218; 396/29, 535–543; 348/373–376
See application file for complete search history.

(56) **References Cited**

U.S. PATENT DOCUMENTS

D388,804 S *	1/1998	Swayze et al.	D16/202
D434,057 S *	11/2000	Whitby et al.	D16/202
D479,259 S *	9/2003	Shao et al.	D16/218
D508,511 S *	8/2005	Christou et al.	D16/218
D517,587 S *	3/2006	Eroma et al.	D16/218
D542,820 S *	5/2007	Depay	D16/202
D586,835 S *	2/2009	Koza et al.	D16/212

* cited by examiner

Primary Examiner—Ian Simmons

Assistant Examiner—Wan Laymon

(74) *Attorney, Agent, or Firm*—Banner & Witcoff, Ltd

(57) **CLAIM**

The ornamental design for a portion of an electronic camera, as shown and described.

DESCRIPTION

FIG. 1 is a front perspective view of a portion of an electronic camera showing my new design;

FIG. 2 is a front view thereof;

FIG. 3 is a left side view thereof;

FIG. 4 is a right side view thereof;

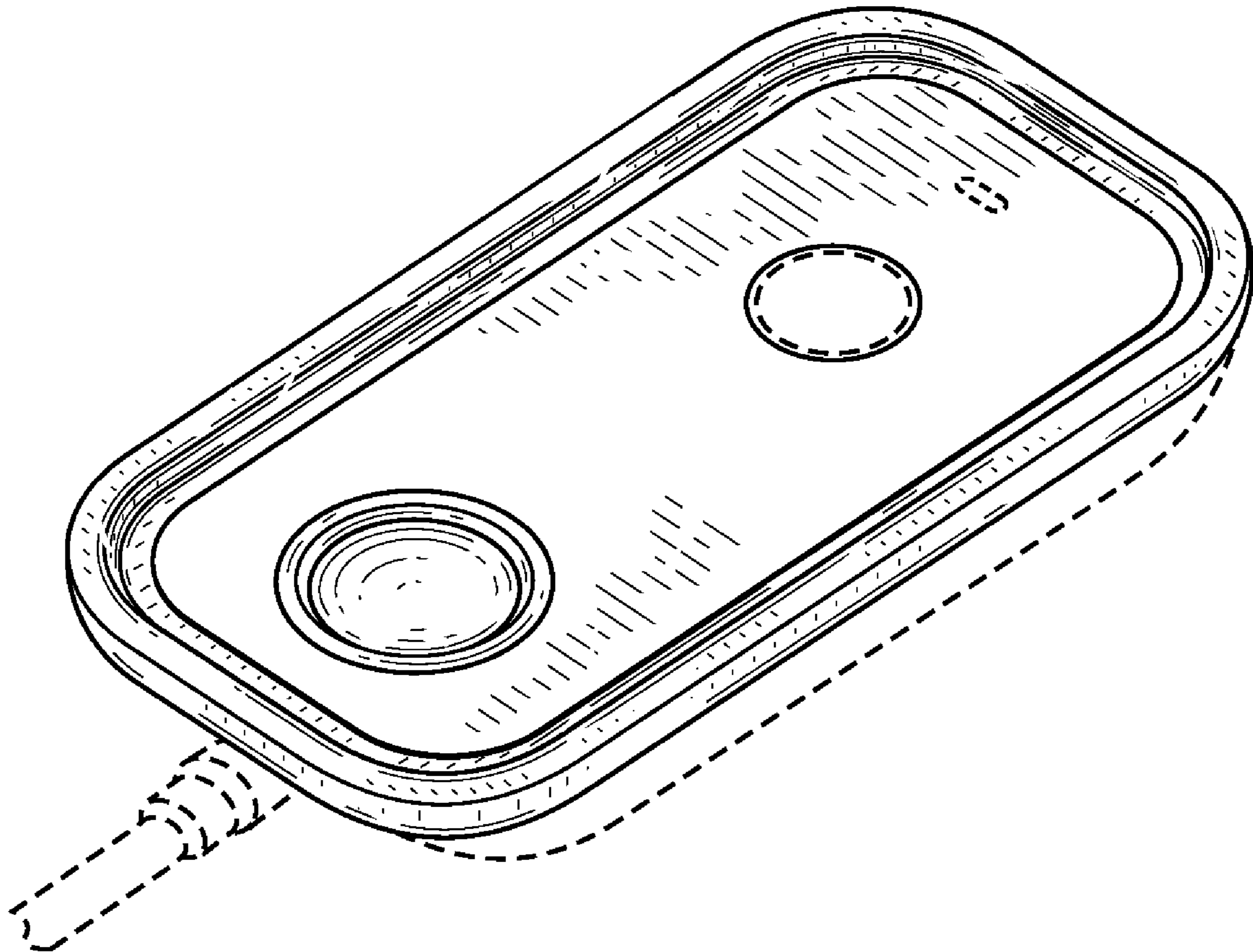
FIG. 5 is a top view thereof;

FIG. 6 is a bottom view thereof; and,

FIG. 7 is a rear view thereof.

The broken line showing of various regions in the figures, including the unshaded areas therein, is for illustrative purposes and forms no part of the claimed design.

1 Claim, 6 Drawing Sheets



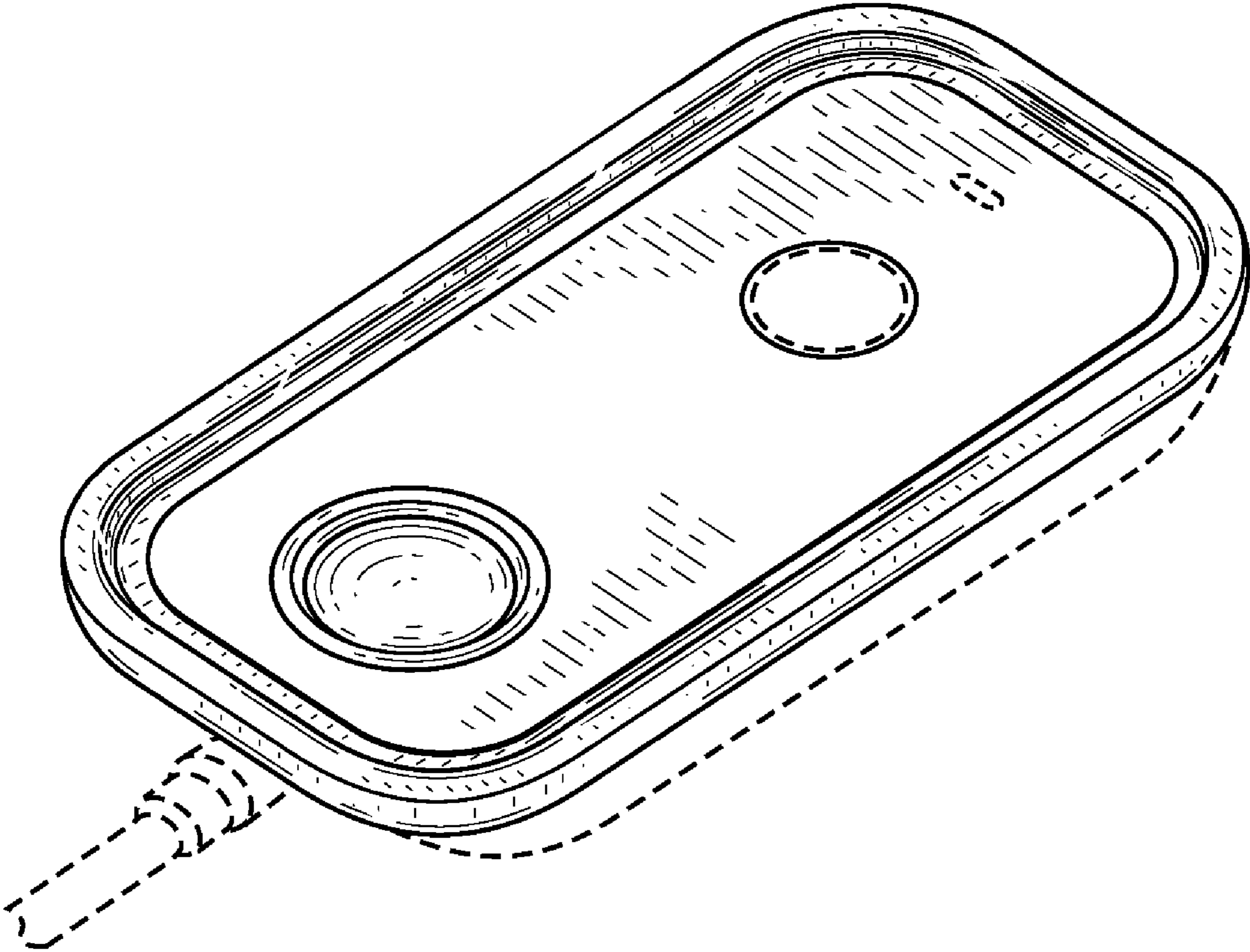


FIG. 1

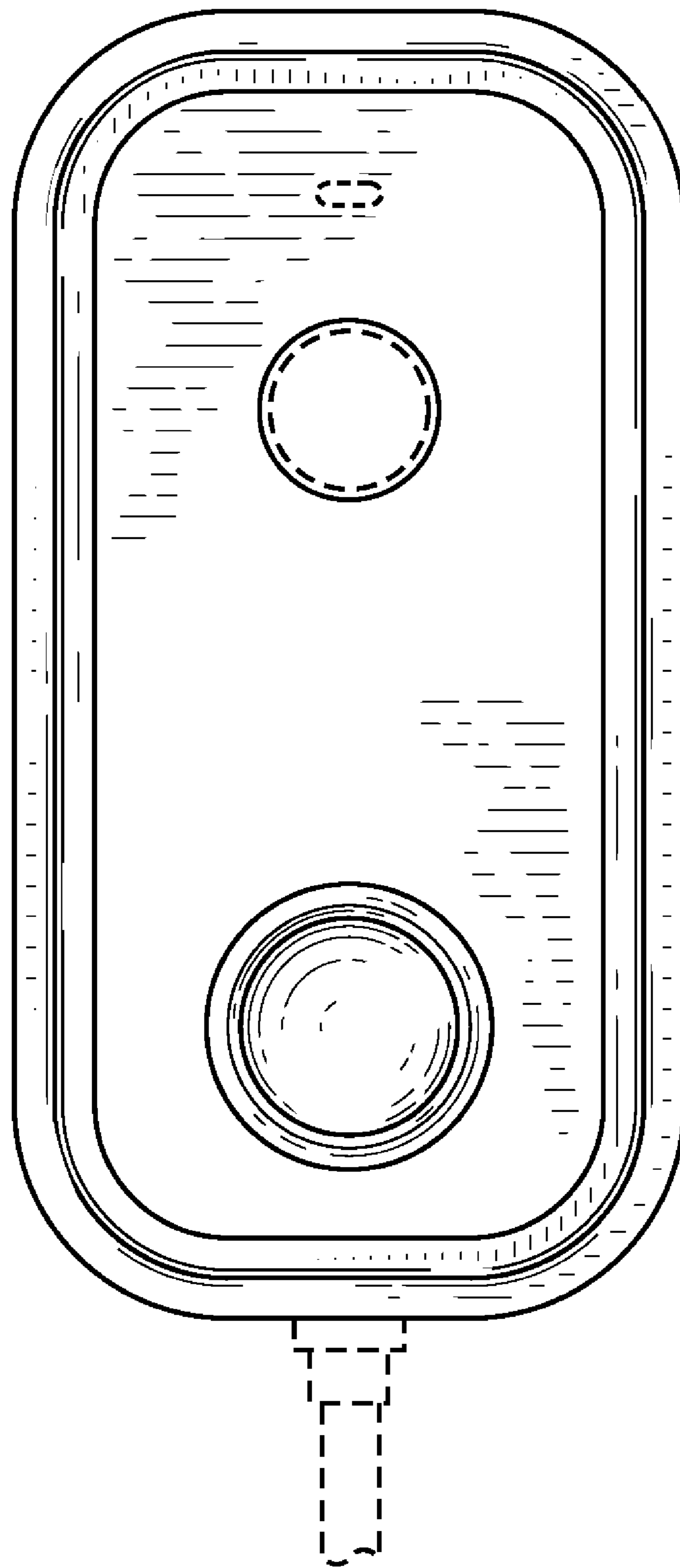


FIG. 2

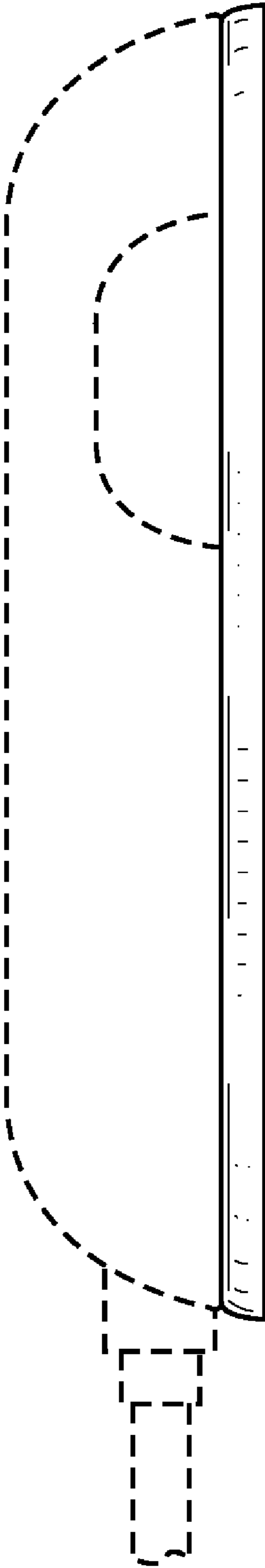


FIG. 3

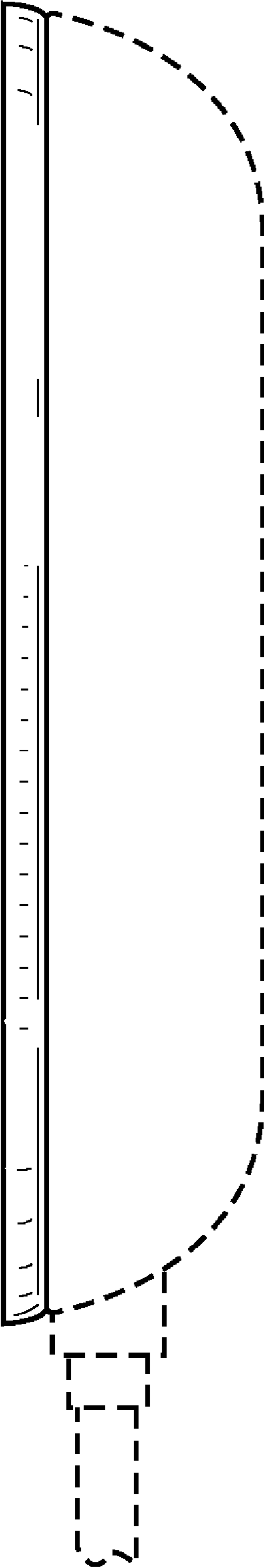


FIG. 4

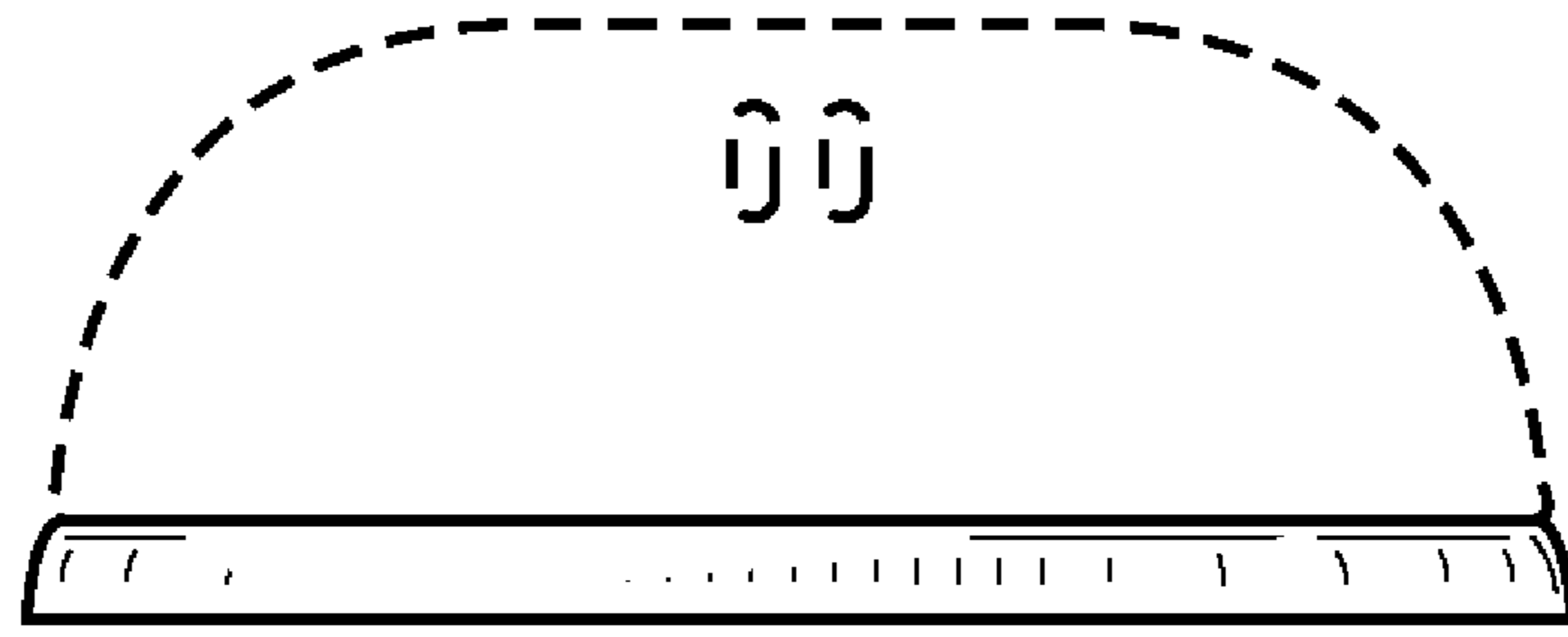


FIG. 5

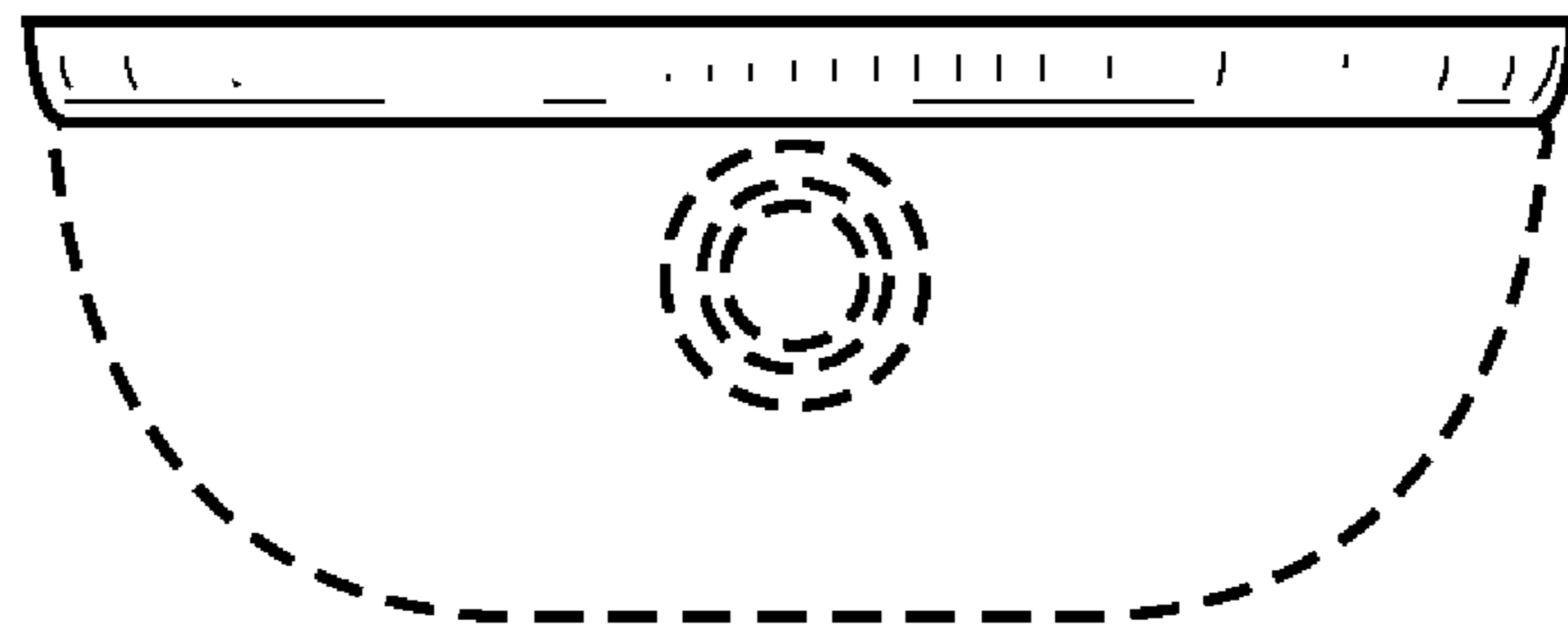


FIG. 6

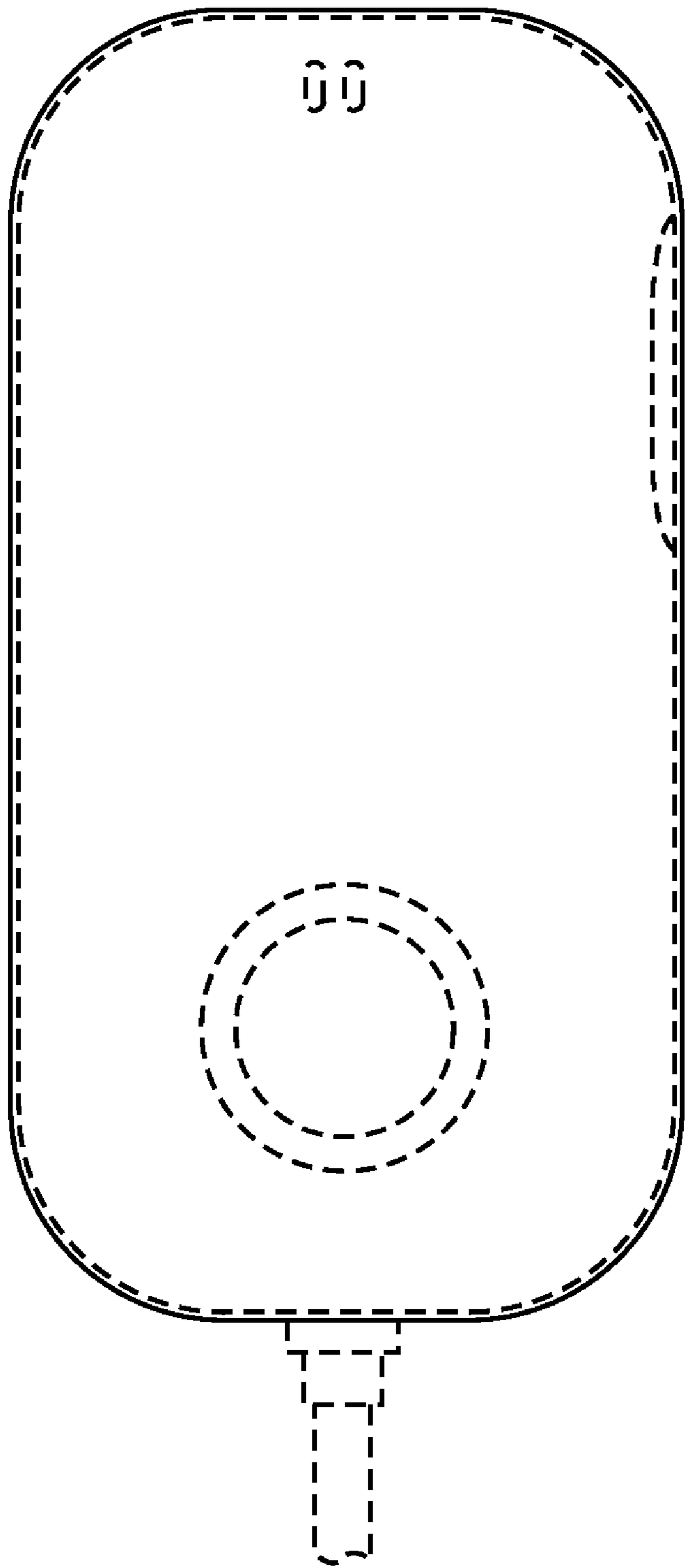


FIG. 7