



US00D600731S

(12) **United States Design Patent**
Lee et al.

(10) **Patent No.:** **US D600,731 S**
(45) **Date of Patent:** **** Sep. 22, 2009**

(54) **CAMCORDER**

(75) Inventors: **Mi-Ri Lee**, Kyunggi-do (KR); **Harata Tomohiro**, Seoul (KR); **Tetsu Kataoka**, Tokyo (JP)

(73) Assignee: **Samsung Electronics Co., Ltd.**, Suwon, Kyunggi-do (KR)

(**) Term: **14 Years**

(21) Appl. No.: **29/313,285**

(22) Filed: **Dec. 23, 2008**

(51) **LOC (9) Cl.** **16-01**

(52) **U.S. Cl.** **D16/203; D16/202**

(58) **Field of Classification Search** D16/200–205,
D16/208, 218; 348/81, 373–376; 358/906;
396/535–541

See application file for complete search history.

D528,577 S	9/2006	Byun et al.	
D532,809 S *	11/2006	Shih	D16/218
D533,206 S	12/2006	Kim	
D540,360 S *	4/2007	Yamakawa	D16/203
D551,275 S *	9/2007	Kim	D16/203
D552,142 S	10/2007	Chung	
D552,648 S	10/2007	Chung	
D554,676 S	11/2007	Kim	
D554,678 S	11/2007	Kim	
D556,801 S	12/2007	Kim	
D558,247 S	12/2007	Kim et al.	
D559,290 S	1/2008	Chung	
D560,241 S	1/2008	Chung	
D560,242 S	1/2008	Chung	
D560,243 S	1/2008	Kim	
D580,469 S	11/2008	Chung et al.	
D580,470 S	11/2008	Chung et al.	
D582,460 S *	12/2008	Yoo et al.	D16/203
D584,325 S	1/2009	Chung et al.	
D584,753 S	1/2009	Chung et al.	
D584,754 S	1/2009	Chung et al.	

* cited by examiner

Primary Examiner—Adir Aronovich

(74) *Attorney, Agent, or Firm*—Flynn, Thiel, Boutell & Tanis, P.C.

(56) **References Cited**

U.S. PATENT DOCUMENTS

D356,806 S	3/1995	Kim	
D365,354 S	12/1995	Sung	
D366,886 S	2/1996	Choi	
D368,729 S	4/1996	Choi	
D372,925 S	8/1996	Choi	
D378,296 S	3/1997	Choi	
D383,767 S	9/1997	Sung et al.	
D386,506 S	11/1997	Choi et al.	
D388,804 S *	1/1998	Swayze et al.	D16/202
D390,243 S	2/1998	Choi	
6,304,289 B1 *	10/2001	Sakai et al.	348/81
D481,406 S *	10/2003	Alessio	D16/203
D484,901 S	1/2004	Lim	
D520,044 S	5/2006	Chung et al.	
D520,545 S	5/2006	Chung et al.	
D520,546 S	5/2006	Kim	
D521,041 S	5/2006	Chung et al.	
D524,347 S *	7/2006	Takahashi	D16/202
D526,674 S	8/2006	Byun et al.	
D528,142 S	9/2006	Byun et al.	
D528,576 S	9/2006	Chung et al.	

(57) **CLAIM**

The ornamental design for a camcorder, as shown and described.

DESCRIPTION

FIG. 1 is a top front perspective view of a camcorder showing our new design;

FIG. 2 is a front elevational view thereof;

FIG. 3 is a rear elevational view thereof;

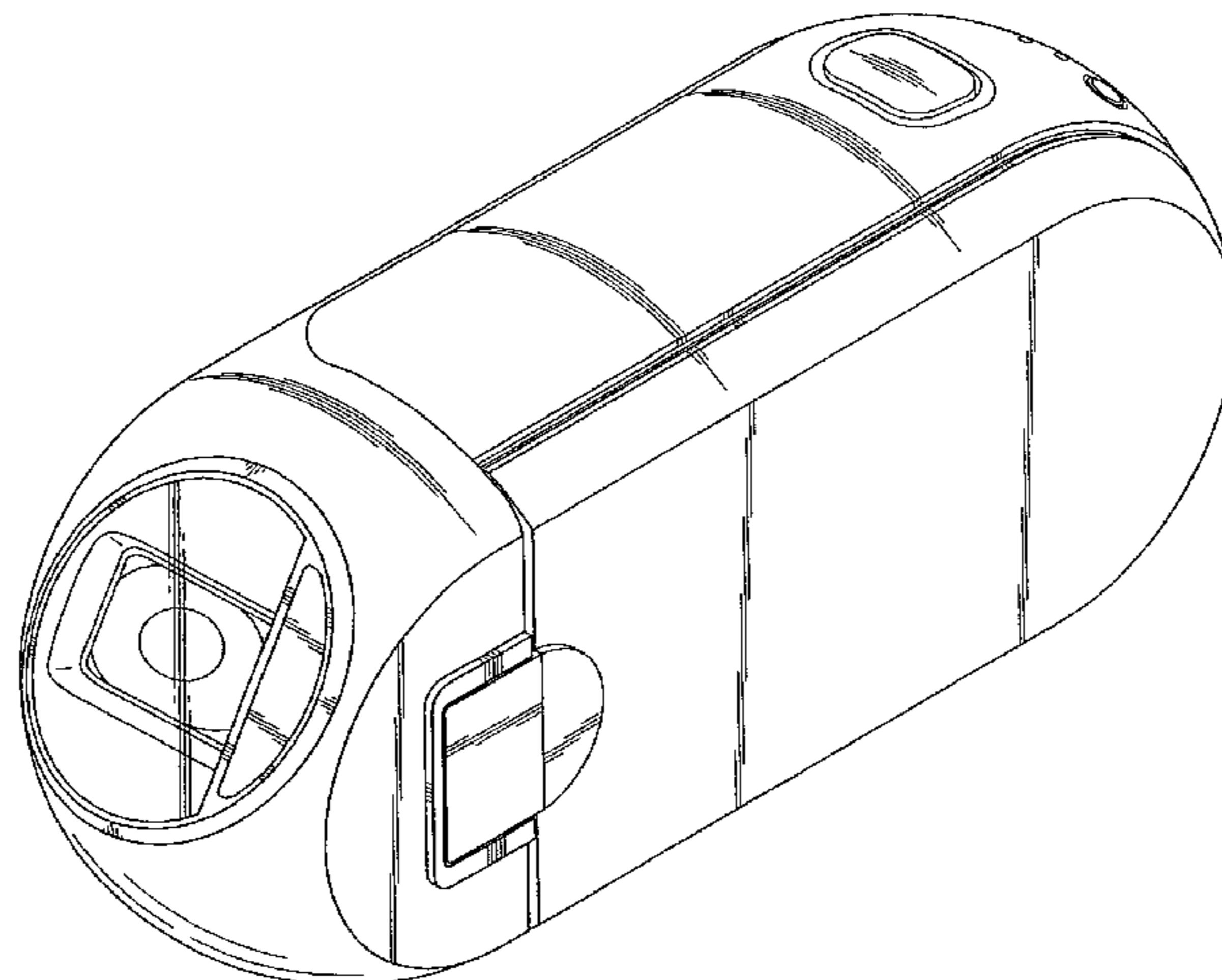
FIG. 4 is a top plan view thereof;

FIG. 5 is a bottom plan view thereof;

FIG. 6 is a left side elevational view thereof; and,

FIG. 7 is a right side elevational view thereof.

1 Claim, 4 Drawing Sheets



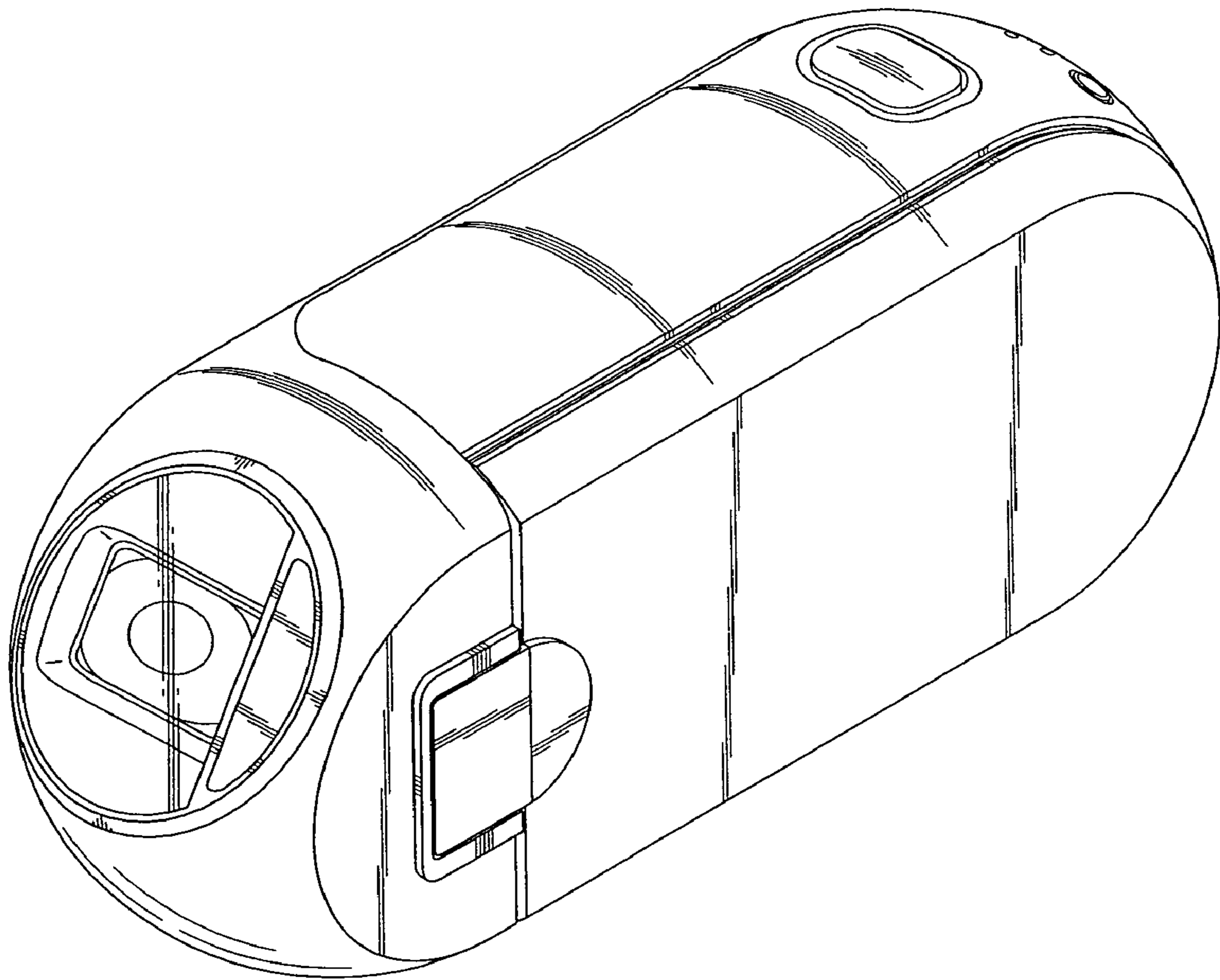


FIG. 1

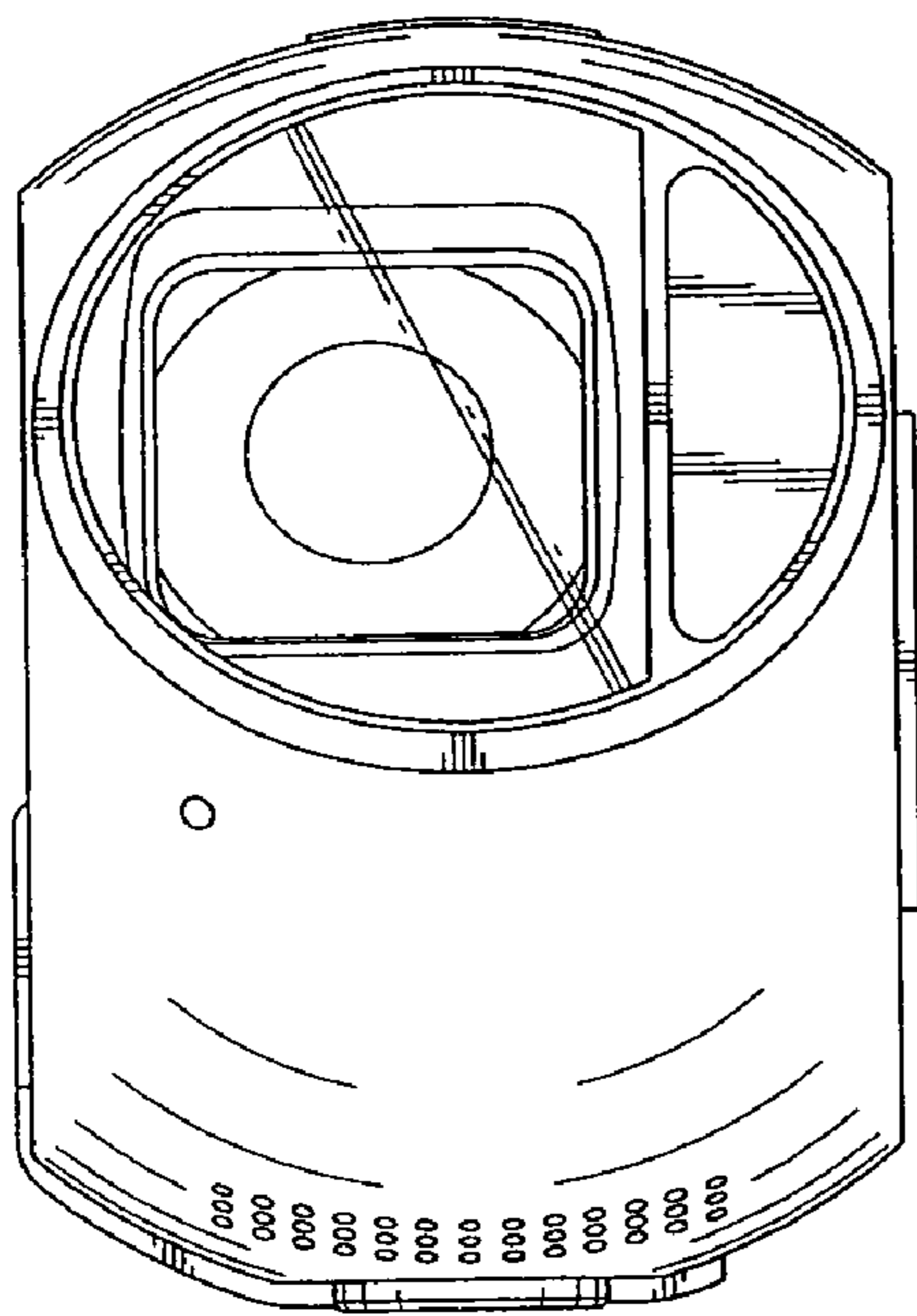


FIG. 2

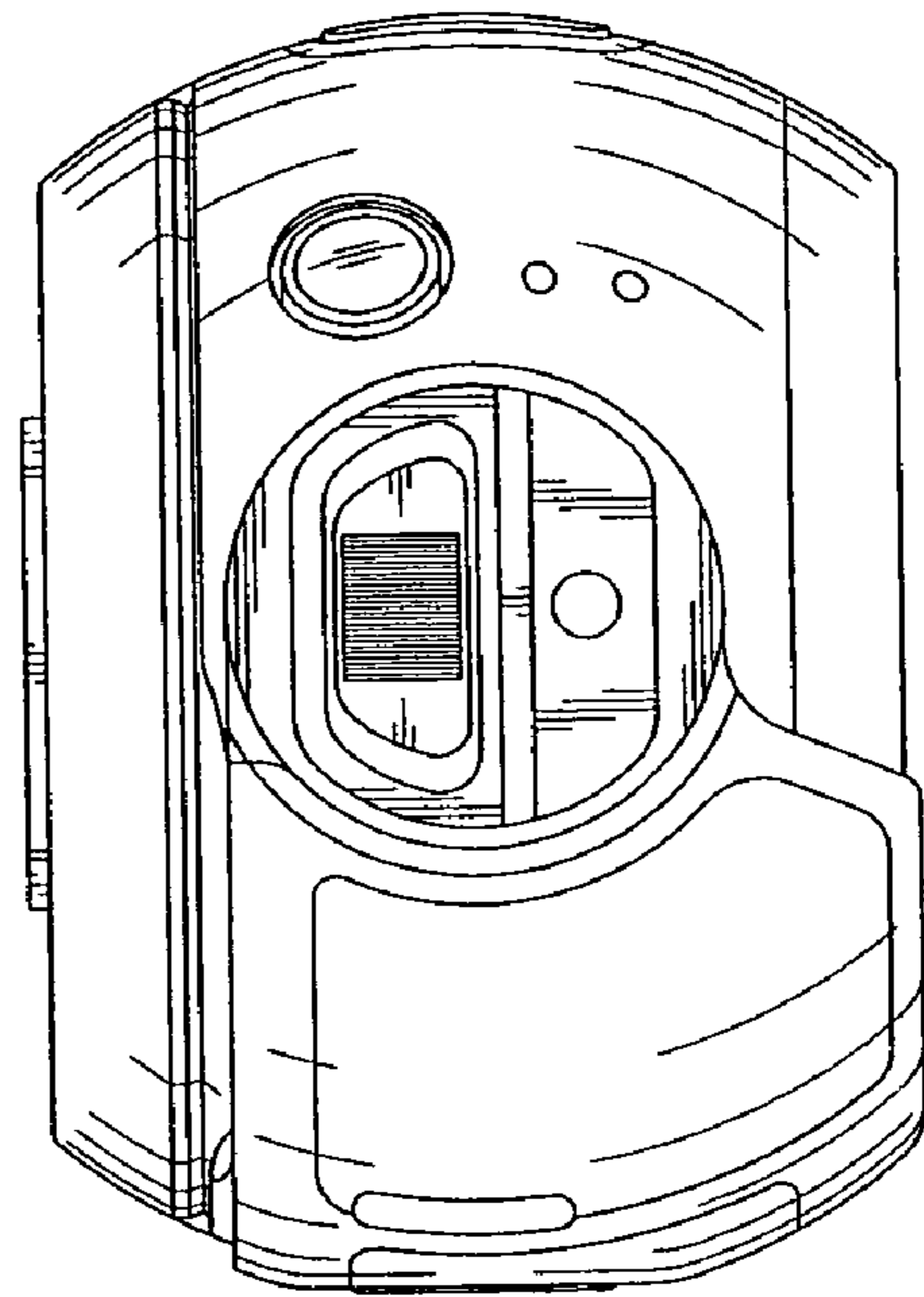


FIG. 3

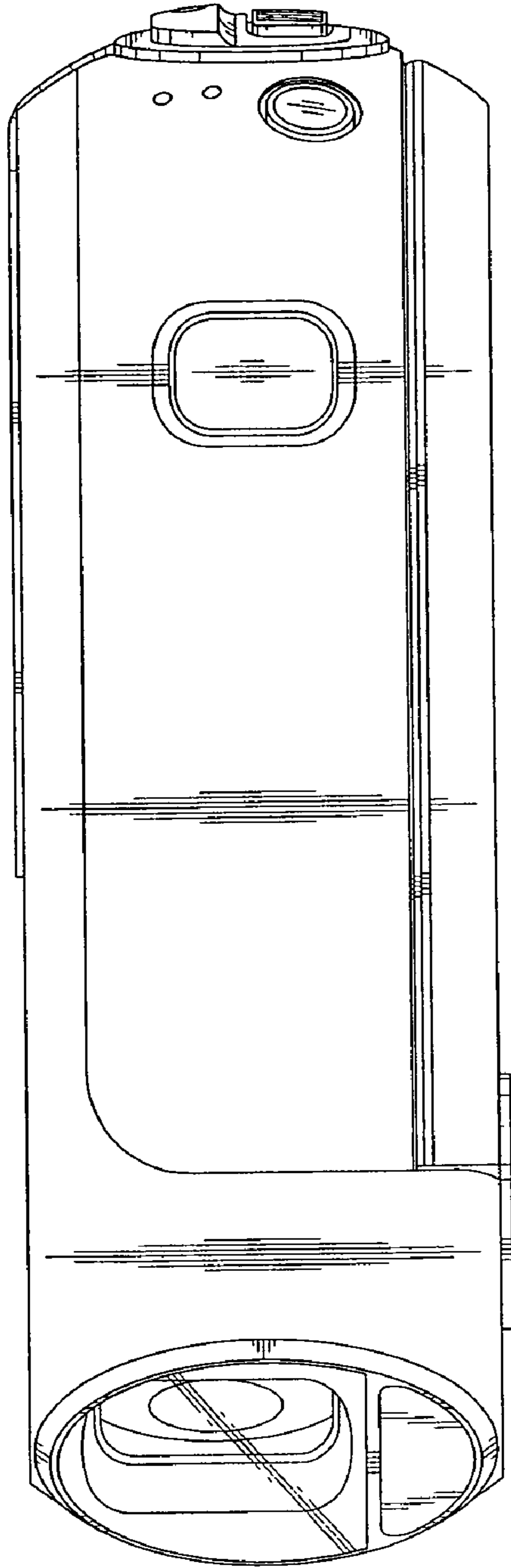


FIG. 4

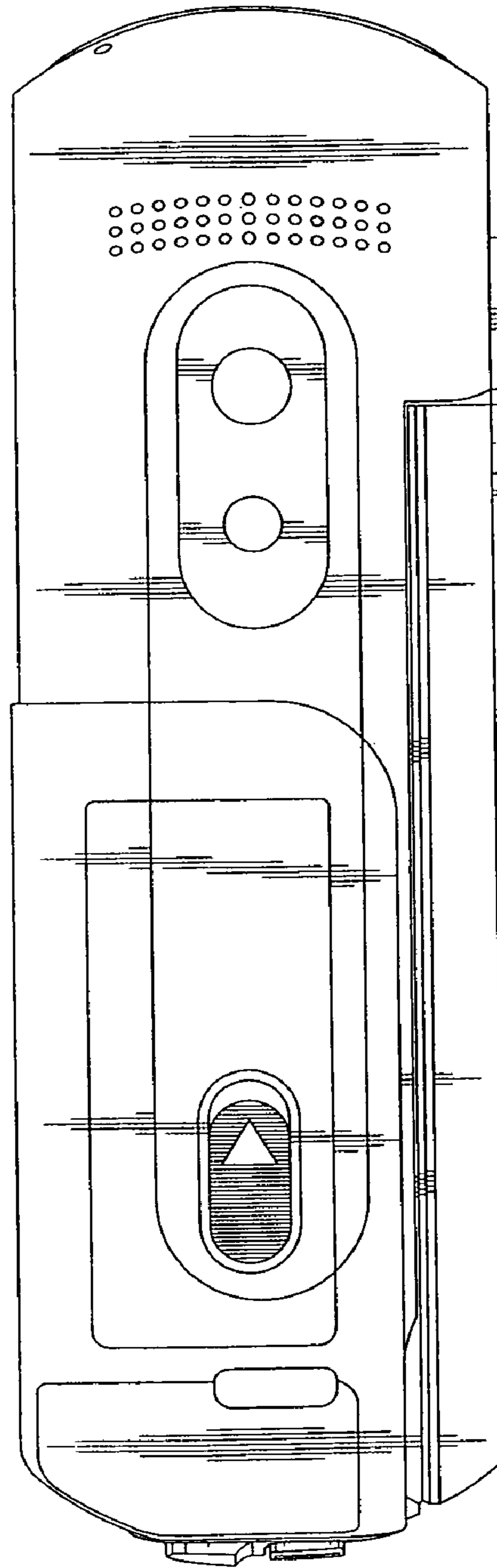


FIG. 5

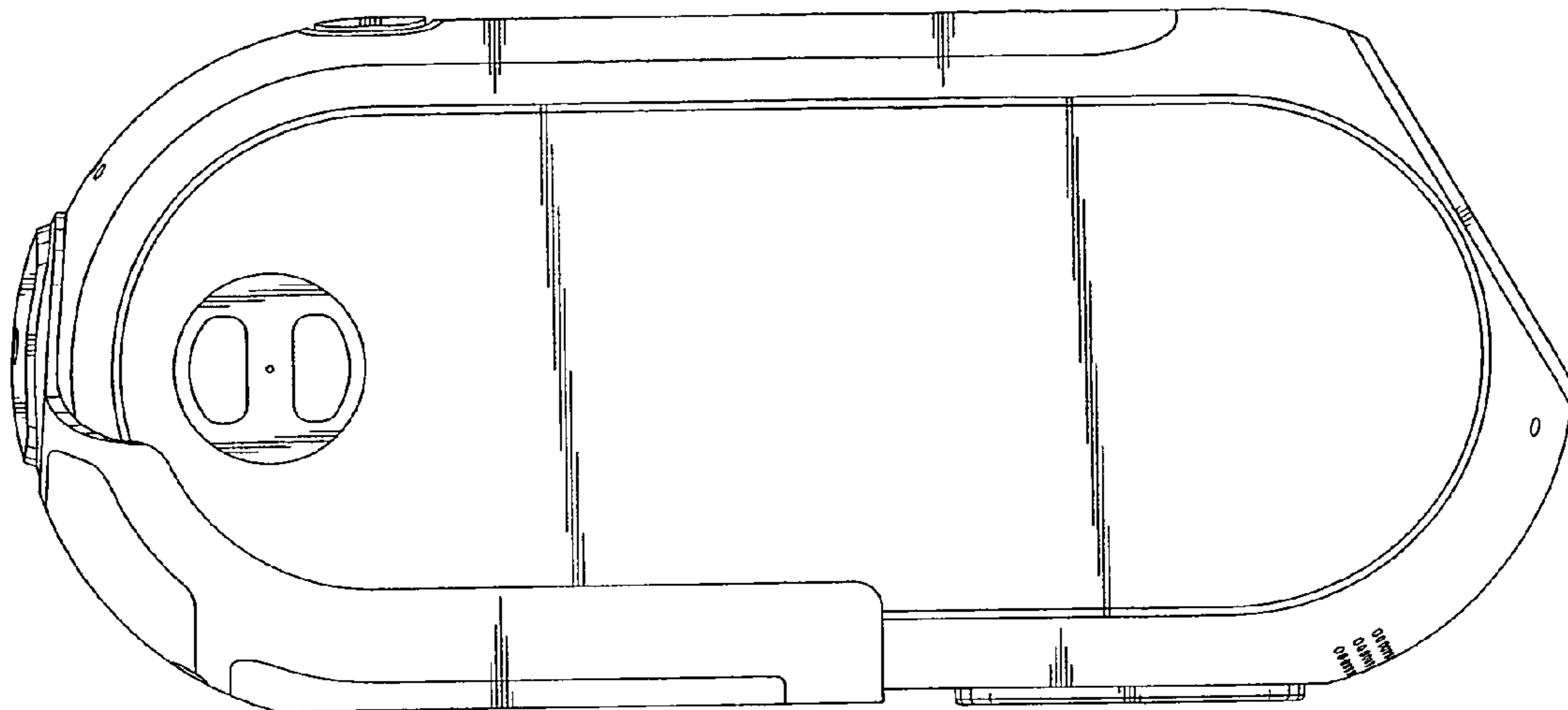


FIG. 6

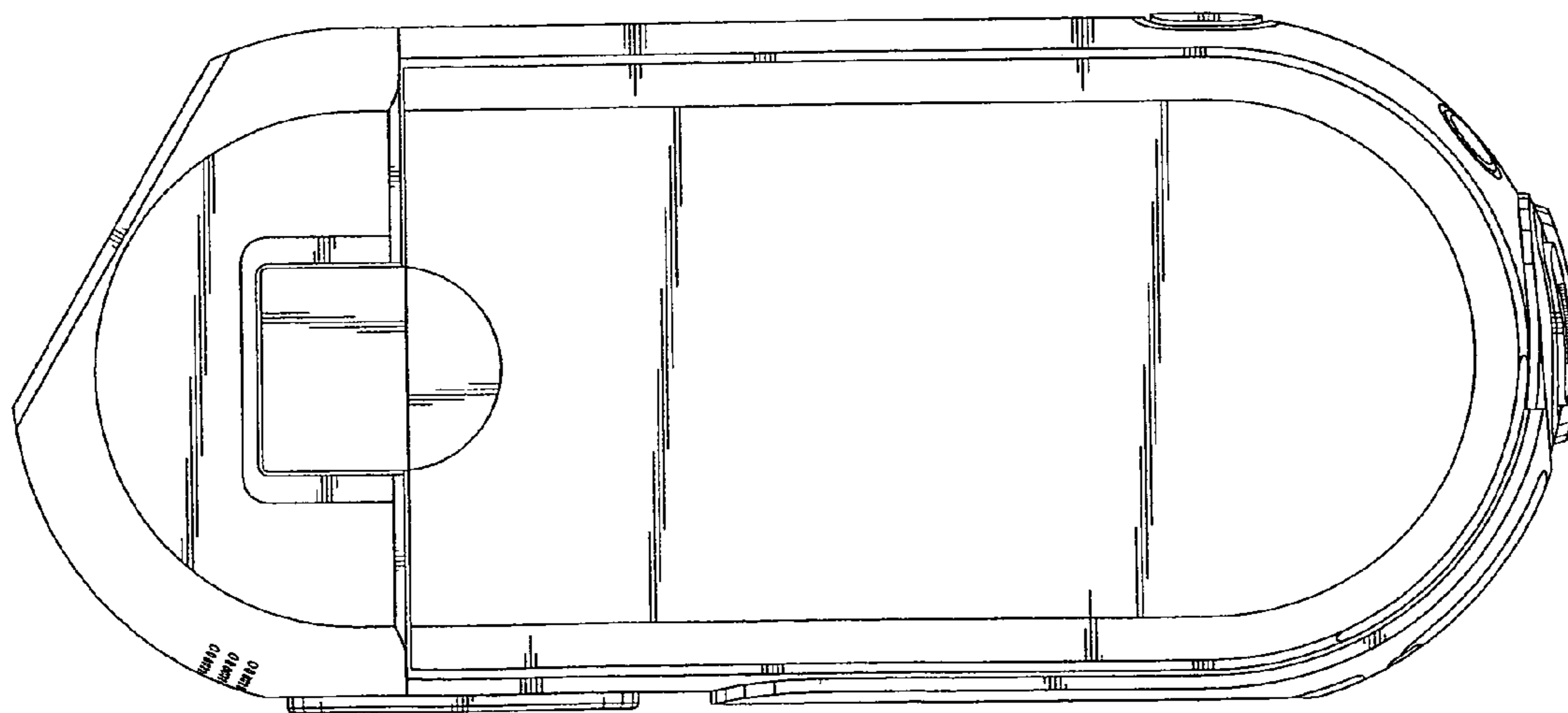


FIG. 7