



US00D600730S

(12) **United States Design Patent**
Su

(10) **Patent No.:** **US D600,730 S**

(45) **Date of Patent:** **** Sep. 22, 2009**

(54) **WEB CAMERA**

(75) Inventor: **June-Yi Su**, Tainan (TW)

(73) Assignee: **Quanta Computer Inc.**, Taoyuan Shien (TW)

(**) Term: **14 Years**

(21) Appl. No.: **29/311,543**

(22) Filed: **Apr. 17, 2009**

(30) **Foreign Application Priority Data**

Feb. 17, 2009 (TW) 98300576

(51) **LOC (9) Cl.** **16-01**

(52) **U.S. Cl.** **D16/202**

(58) **Field of Classification Search** D16/200,
D16/202, 203, 204, 208, 218, 242; 348/373,
348/375; 396/419, 427, 535

See application file for complete search history.

(56) **References Cited**

U.S. PATENT DOCUMENTS

D487,104 S * 2/2004 Obata D16/202

D497,925 S * 11/2004 Zhang et al. D16/202

D506,215 S * 6/2005 Lin et al. D16/218

D515,609 S * 2/2006 Heatherly et al. D16/208

D530,732 S * 10/2006 Tanaka et al. D16/202

D533,887 S * 12/2006 Logan et al. D16/208

D566,148 S * 4/2008 Akita D16/202

D570,390 S * 6/2008 Goto D16/208

* cited by examiner

Primary Examiner—Adir Aronovich

(74) *Attorney, Agent, or Firm*—Rabin & Berdo, PC

(57) **CLAIM**

The ornamental design for a web camera, as shown.

DESCRIPTION

FIG. 1 is a perspective view of a web camera showing my new design;

FIG. 2 is a front view thereof;

FIG. 3 is a rear view thereof;

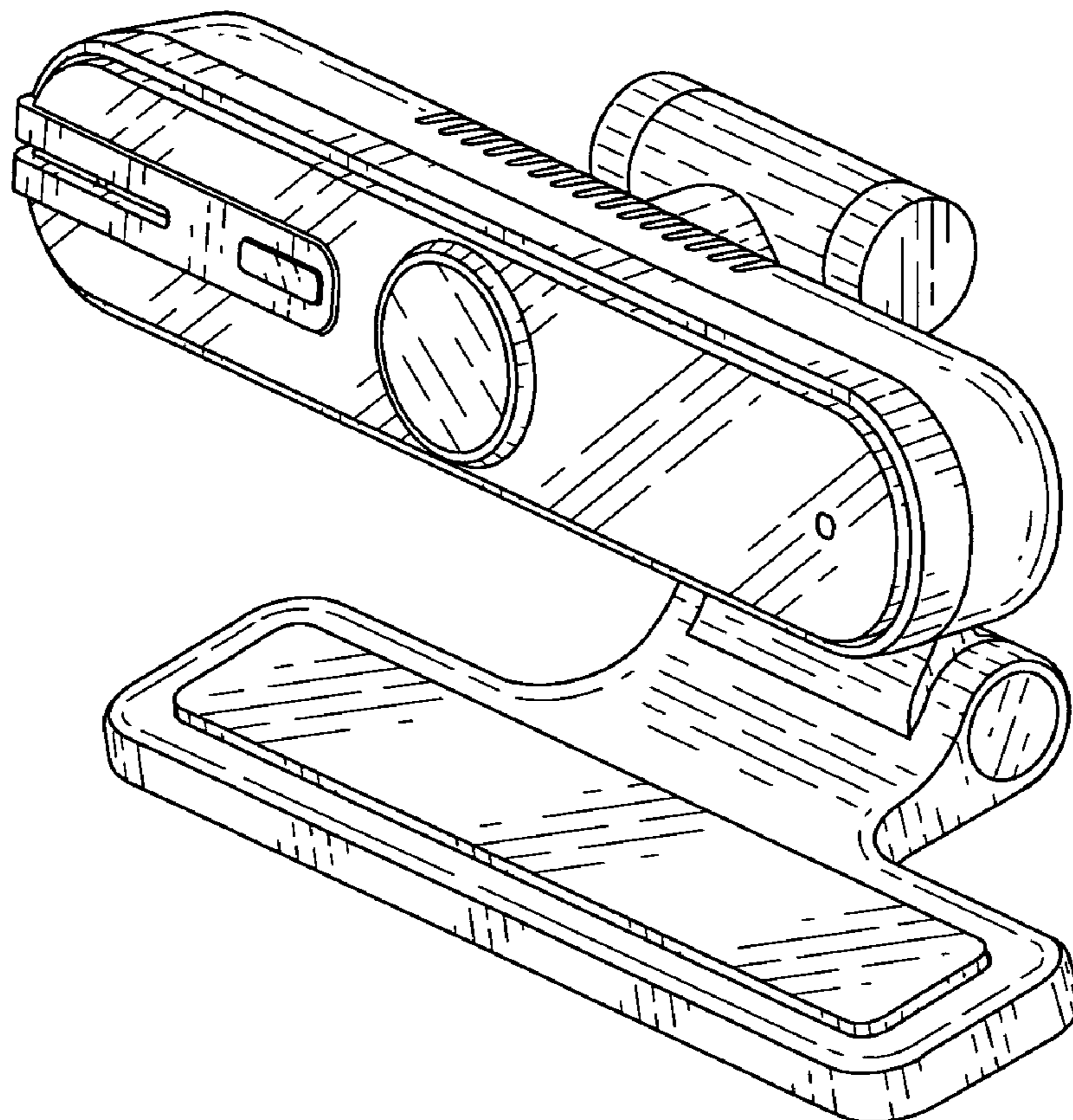
FIG. 4 is a left side view thereof;

FIG. 5 is a right side view thereof;

FIG. 6 is a top view thereof; and,

FIG. 7 is a bottom view thereof.

1 Claim, 4 Drawing Sheets



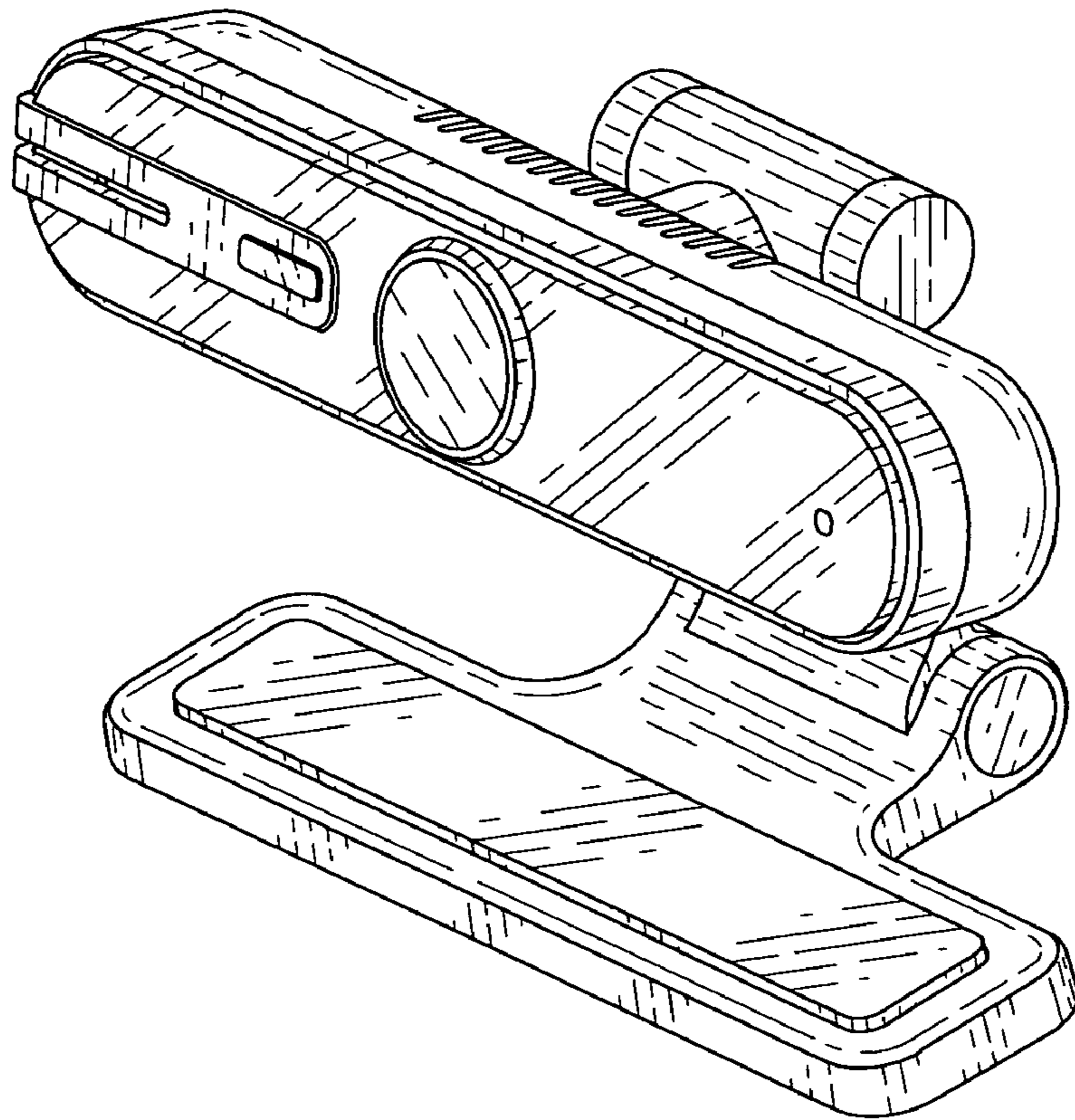


FIG. 1

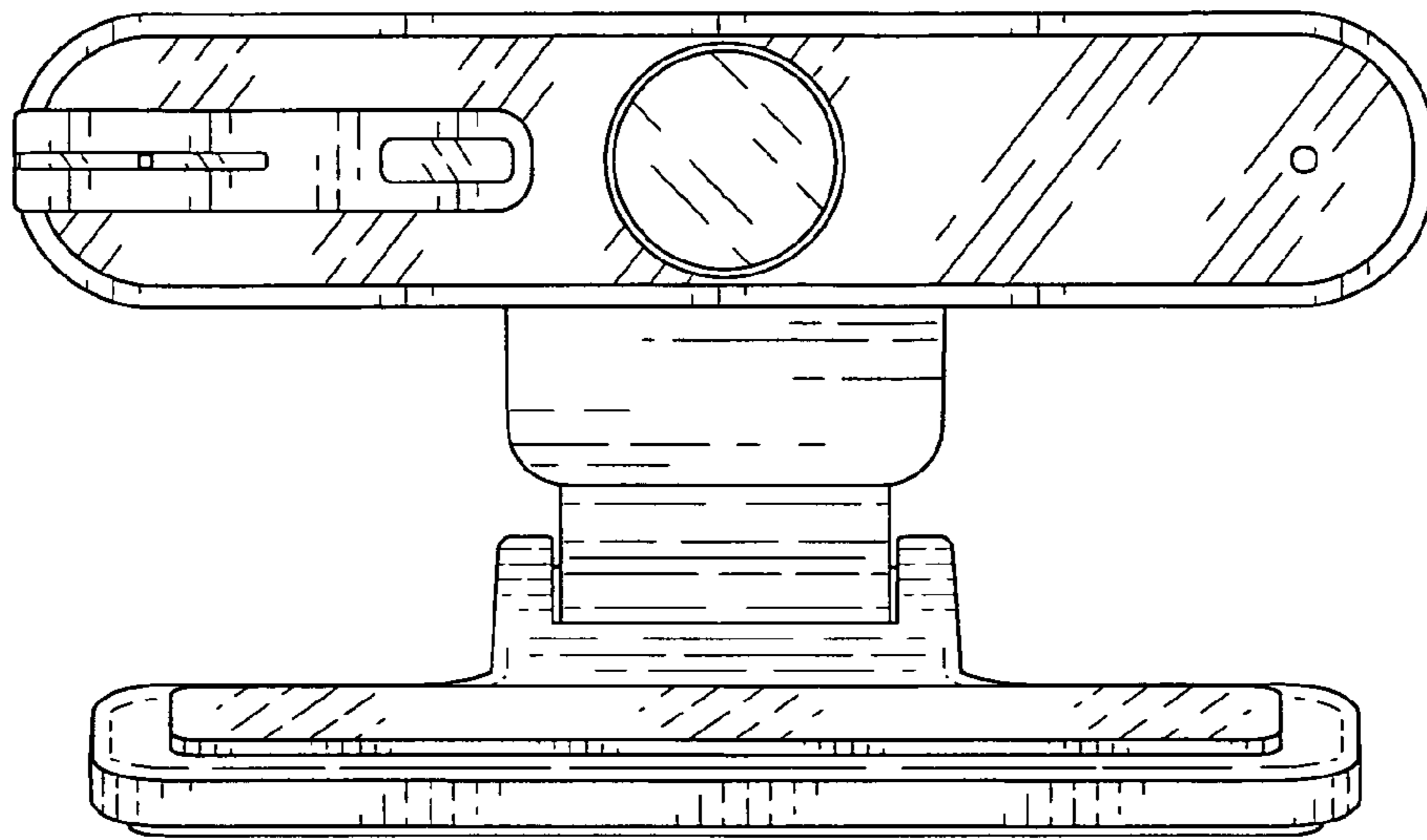


FIG. 2

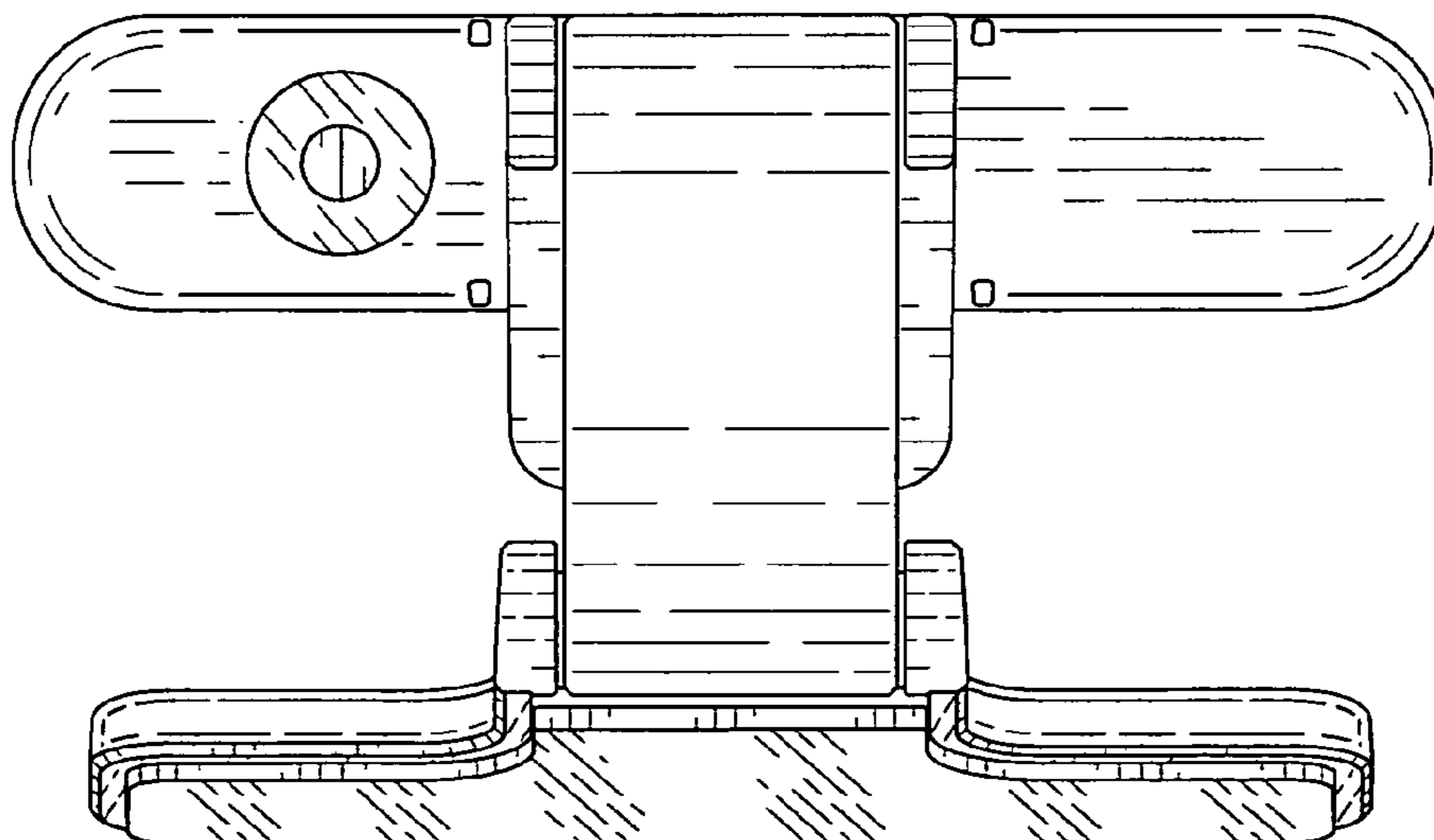


FIG. 3

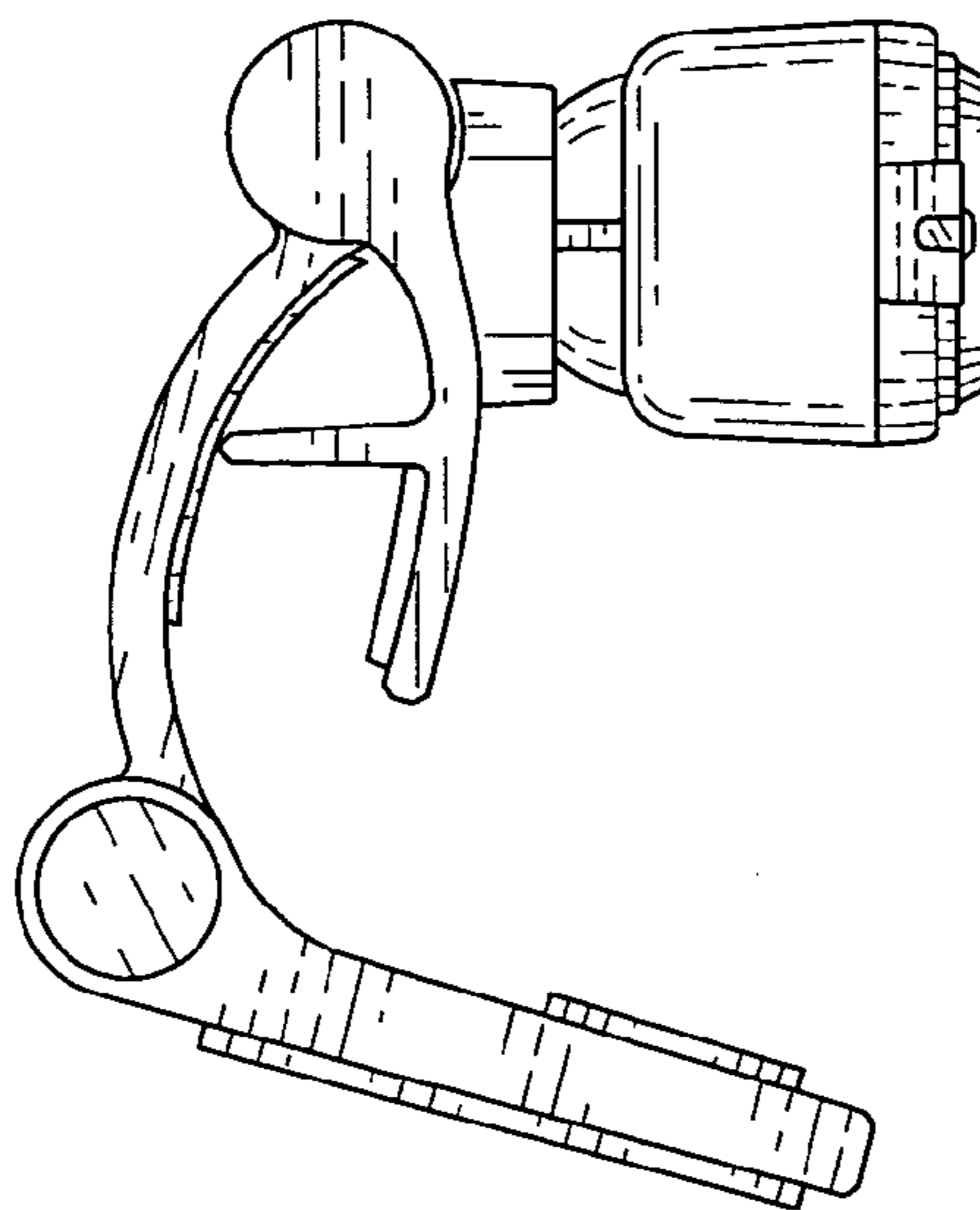


FIG. 4

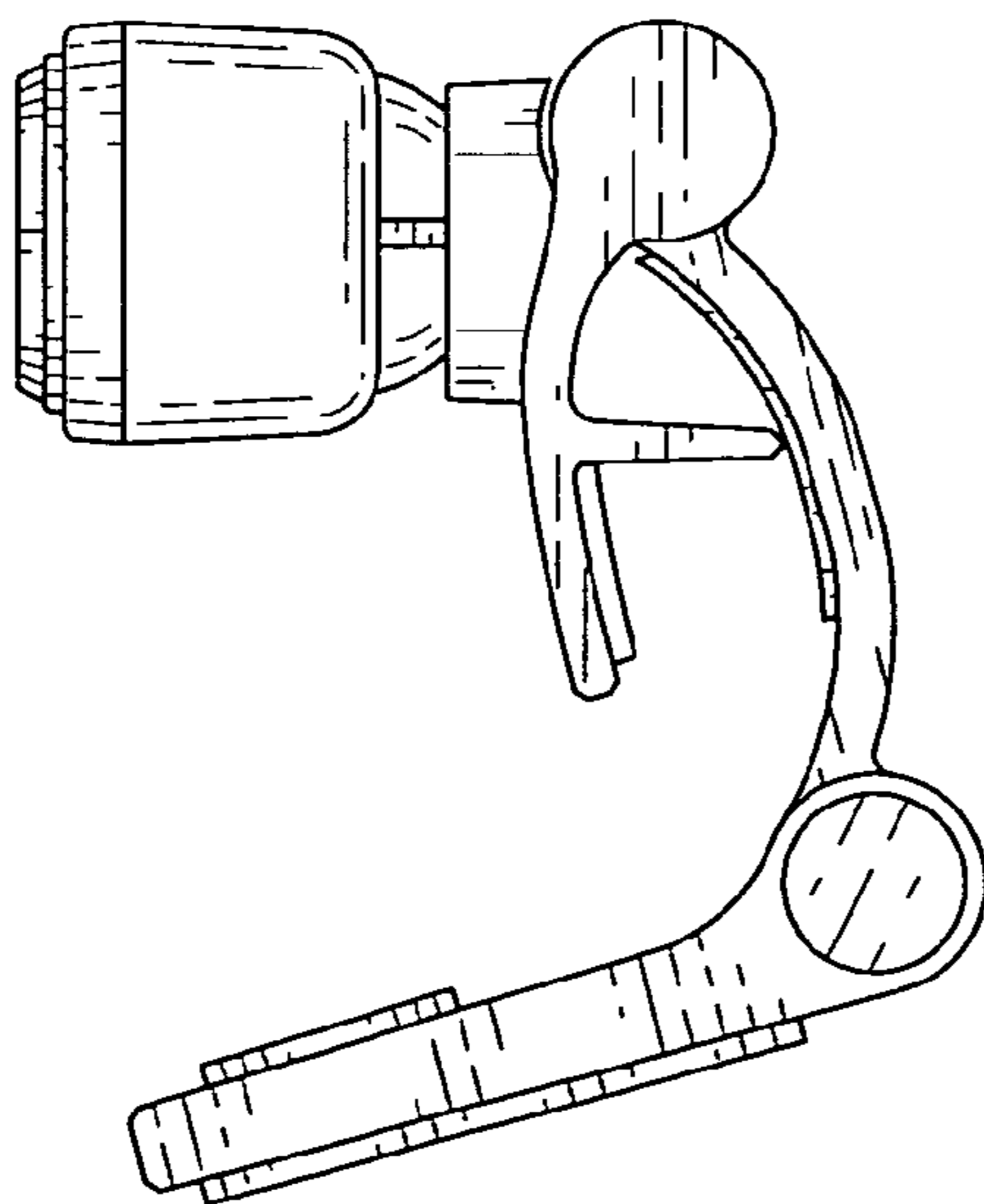


FIG. 5

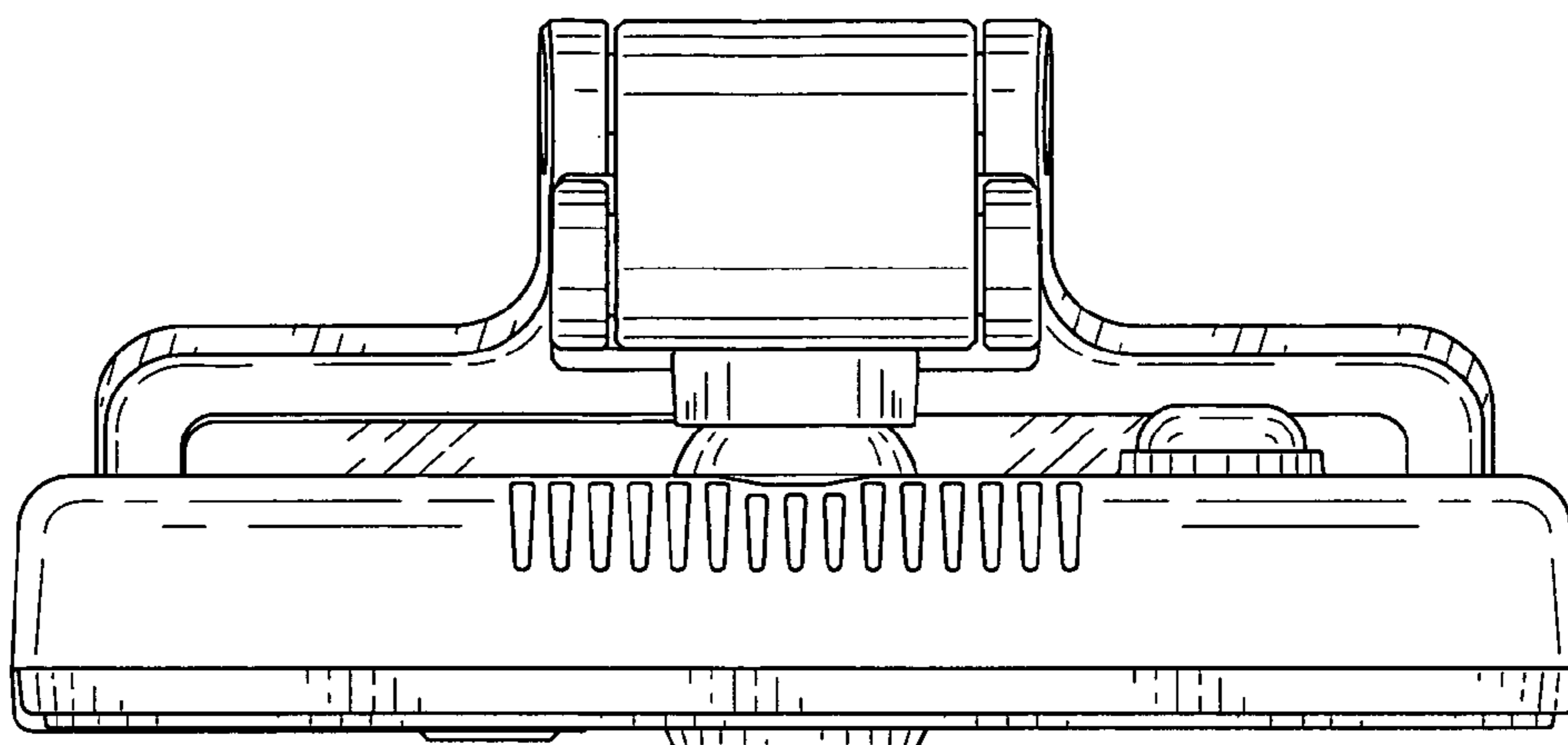


FIG. 6

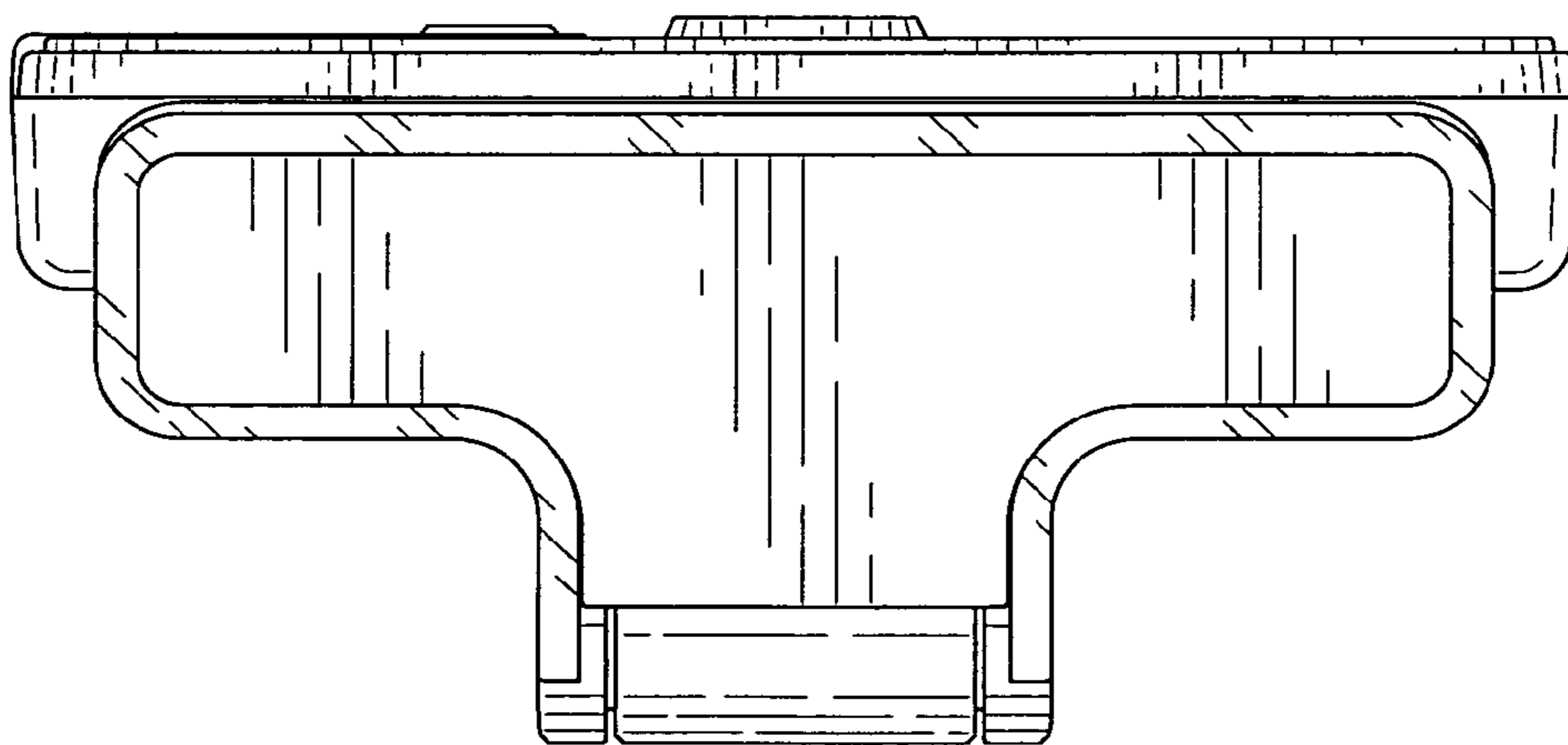


FIG. 7