

US00D600729S

(12) **United States Design Patent**
Takishima

(10) **Patent No.:** **US D600,729 S**

(45) **Date of Patent:** **** Sep. 22, 2009**

(54) **LENS**

(75) Inventor: **Suguru Takishima**, Tokyo (JP)

(73) Assignee: **Pentax Corporation**, Tokyo (JP)

(**) Term: **14 Years**

(21) Appl. No.: **29/304,603**

(22) Filed: **Mar. 5, 2008**

(30) **Foreign Application Priority Data**

Sep. 6, 2007 (JP) 2007-024295

(51) **LOC (9) Cl.** **08-06**

(52) **U.S. Cl.** **D16/135**

(58) **Field of Classification Search** D16/130,
D16/134, 135, 137; 359/811, 819, 816, 827,
359/826, 828; 369/44.28, 44.32, 44.14, 112.08;
D19/97

See application file for complete search history.

(56) **References Cited**

U.S. PATENT DOCUMENTS

- D145,638 S * 9/1946 Rosenberg D16/135
- D243,394 S * 2/1977 Nerad et al. D16/135
- D260,401 S * 8/1981 Leopoldi D16/135
- 5,050,963 A * 9/1991 Murakami 359/808
- 6,324,141 B2 * 11/2001 Takishima et al. 369/53.25
- 6,469,844 B1 * 10/2002 Iwase et al. 359/819
- 6,574,053 B1 * 6/2003 Spinali 359/819
- 6,633,519 B2 * 10/2003 Park et al. 369/44.14
- 6,724,548 B2 * 4/2004 Weber 359/819
- 6,768,601 B2 * 7/2004 Ju 359/824
- 6,807,671 B2 * 10/2004 Horimai 720/674
- 7,268,957 B2 * 9/2007 Frenzel et al. 359/811

- 7,289,282 B2 * 10/2007 Matsushima 359/819
- 7,391,582 B2 * 6/2008 Inui et al. 359/819
- 7,436,608 B2 * 10/2008 Chuang et al. 359/824

FOREIGN PATENT DOCUMENTS

- JP 857204 S 1/1993
- JP 857204 S 2/1993
- JP 835172 S 11/1997
- JP 11-47756 S 7/2002
- JP 2003-196877 A 7/2003
- JP 2003-217163 A 7/2003
- JP 2004-295998 A 10/2004

OTHER PUBLICATIONS

- U.S. Appl. No. 29/304,620, Suguru Takishima, filed Mar. 5, 2008.
- U.S. Appl. No. 29/304,648, Suguru Takishima, filed Mar. 5, 2008.
- U.S. Appl. No. 29/304,652, Suguru Takishima, filed Mar. 5, 2008.
- Japanese Office Action dated Jun. 13, 2008.

* cited by examiner

Primary Examiner—Paula Greene

(74) *Attorney, Agent, or Firm*—Sughrue Mion, PLLC

(57) **CLAIM**

The ornamental design for a lens, as shown and described.

DESCRIPTION

FIG. 1 is a perspective view of the front and side of a lens showing my new design;

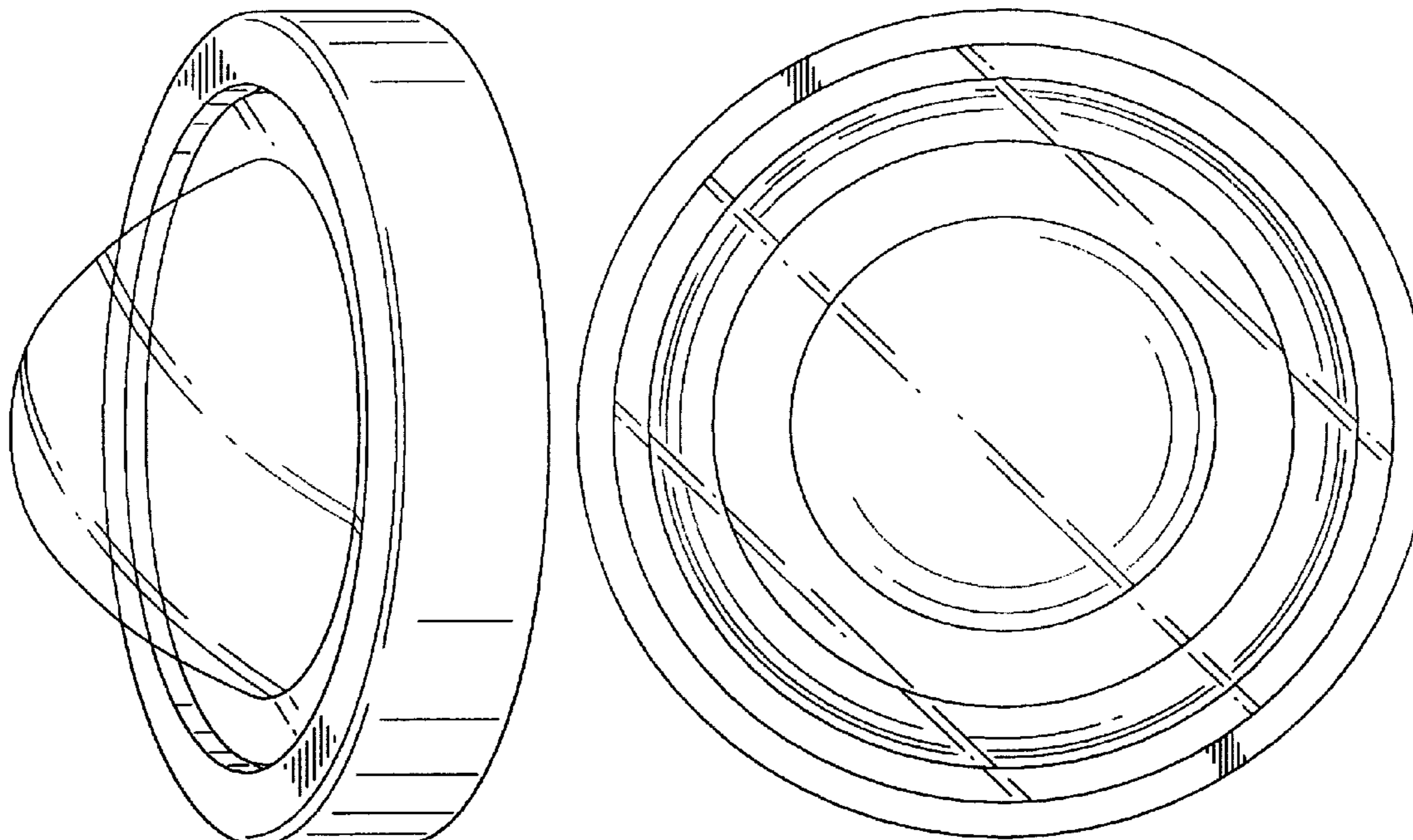
FIG. 2 is a front elevational view thereof;

FIG. 3 is a rear elevational view thereof;

FIG. 4 is a top view thereof, with the bottom, right side and left side being the same; and,

FIG. 5 is a cross-sectional view thereof, along 5—5 in FIG. 2.

1 Claim, 5 Drawing Sheets



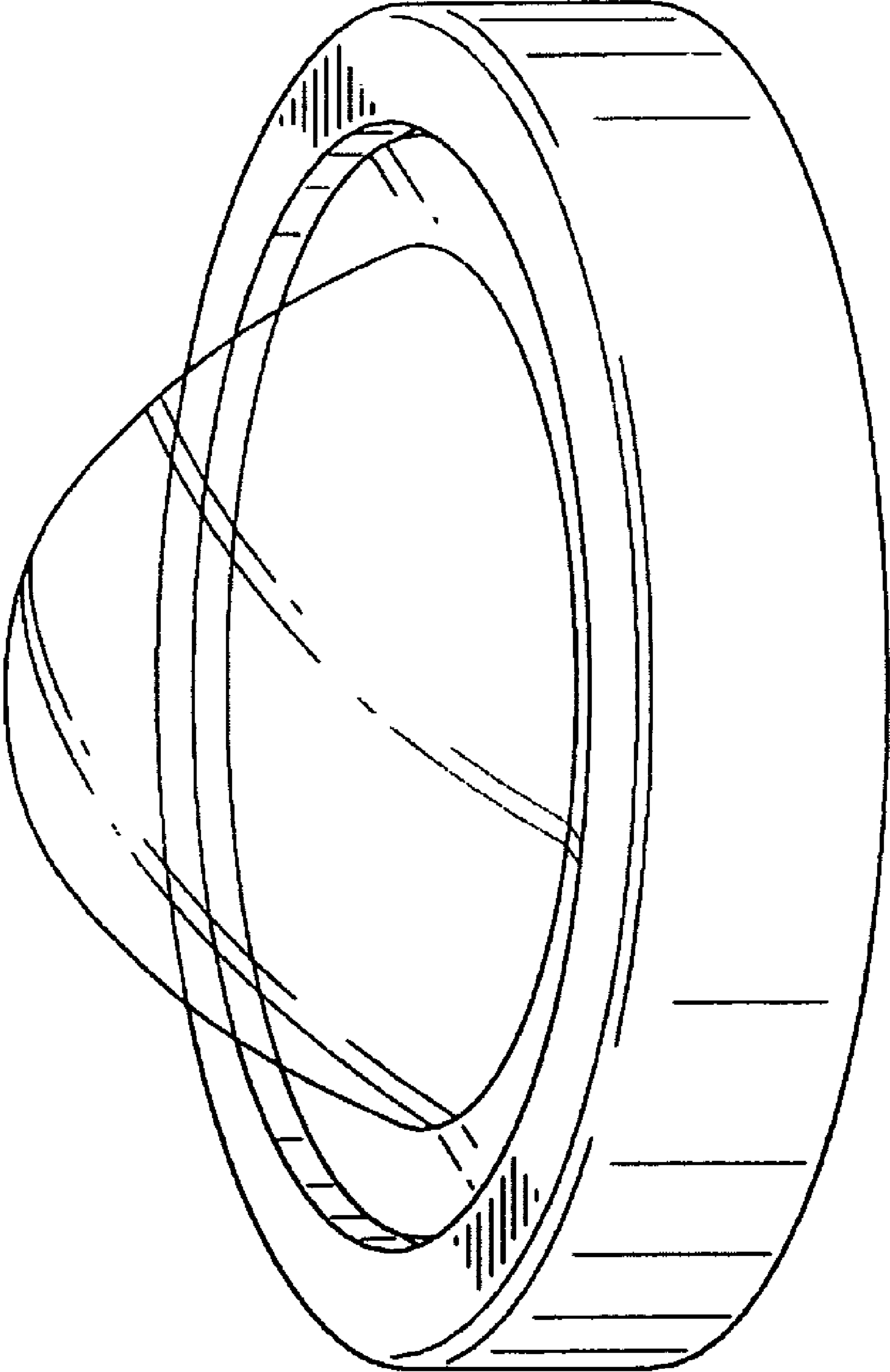


FIG. 1

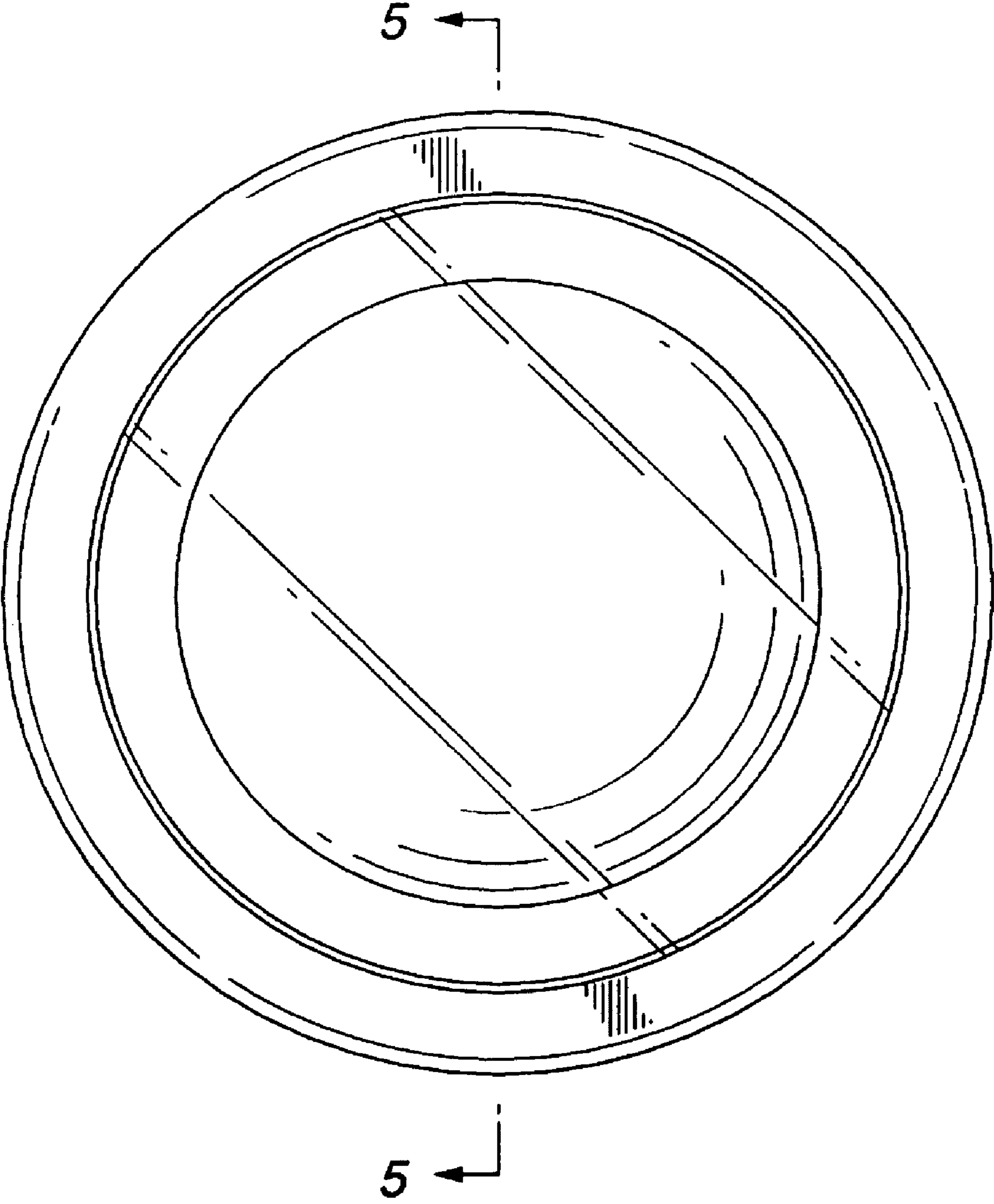


FIG. 2

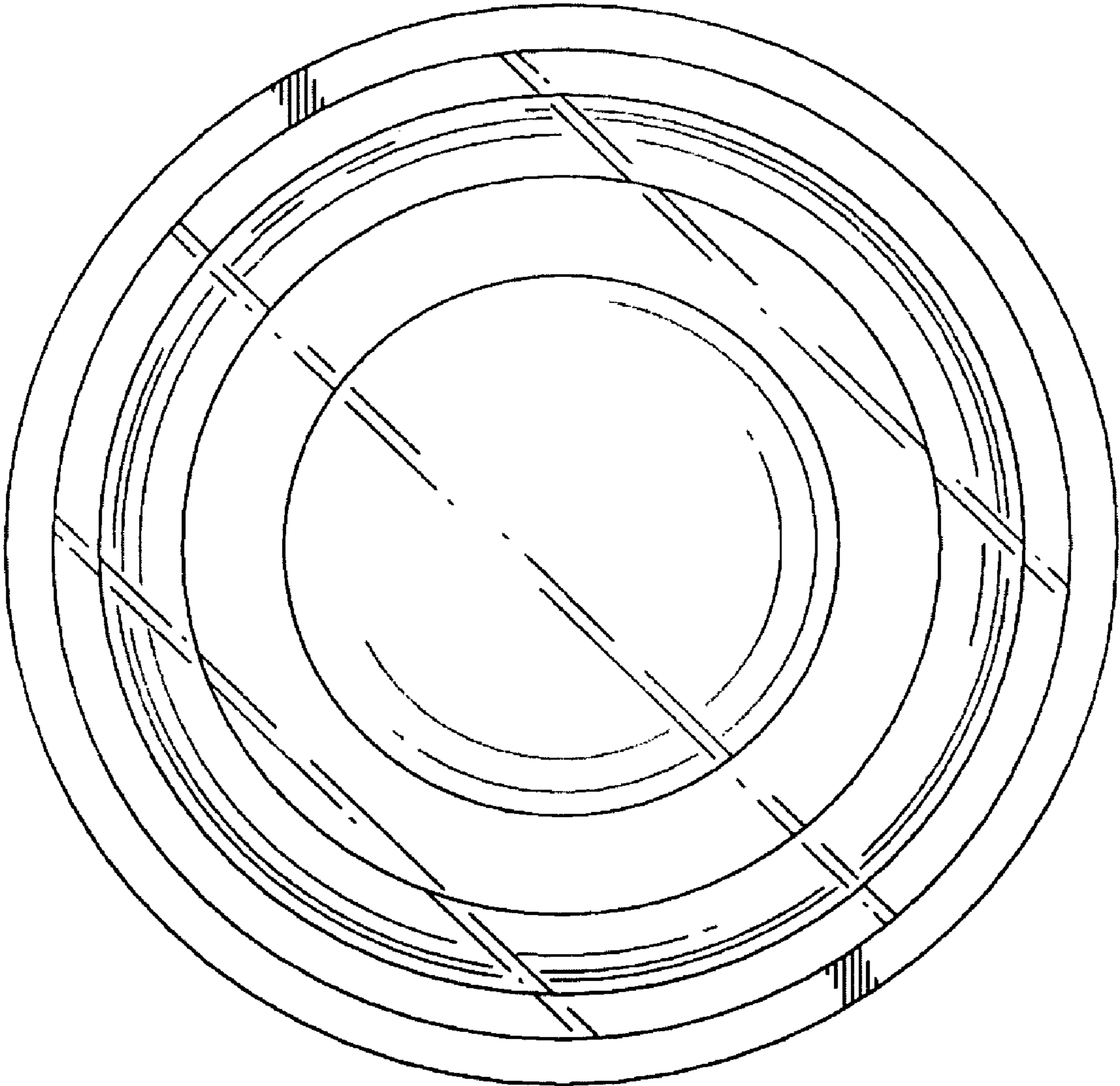


FIG. 3

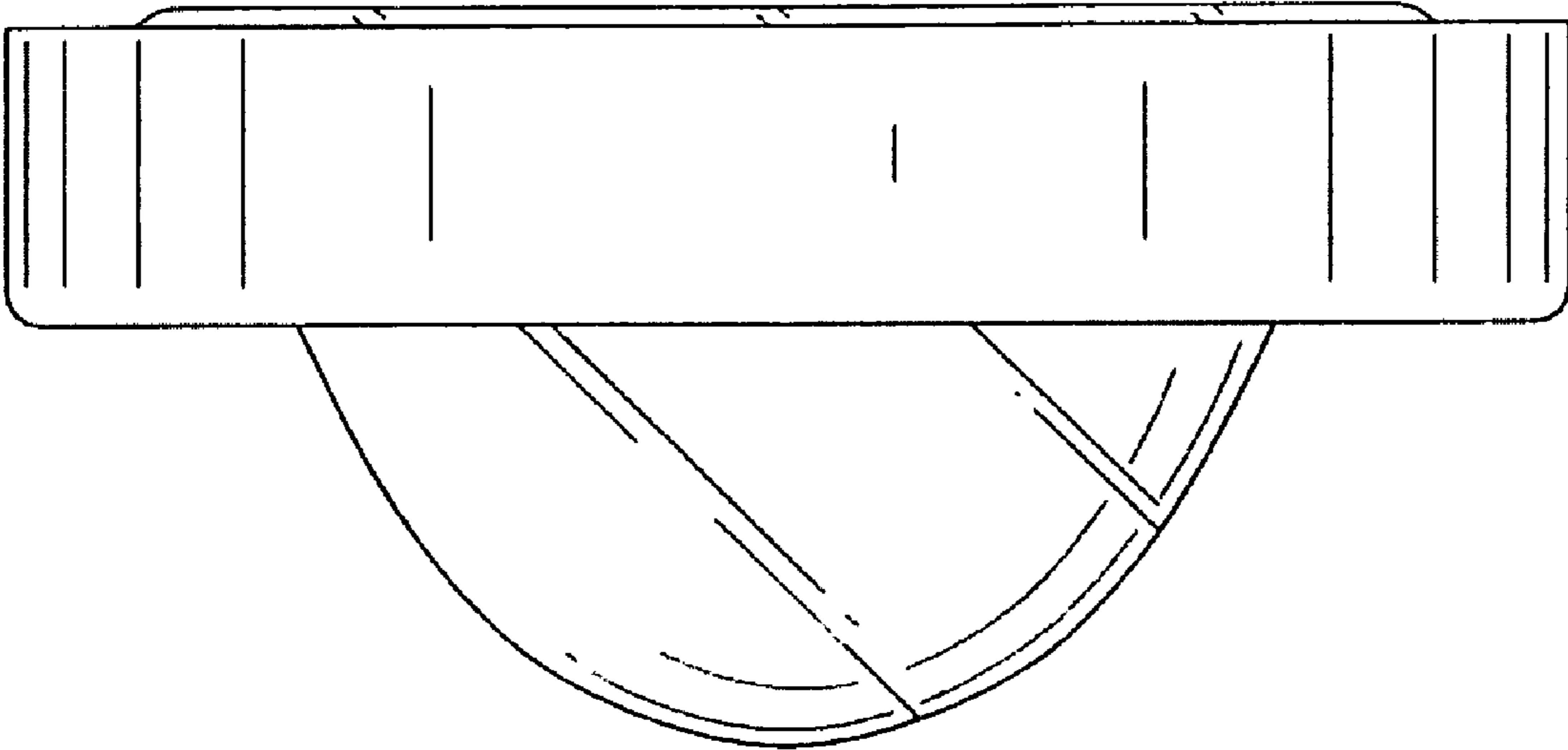


FIG. 4

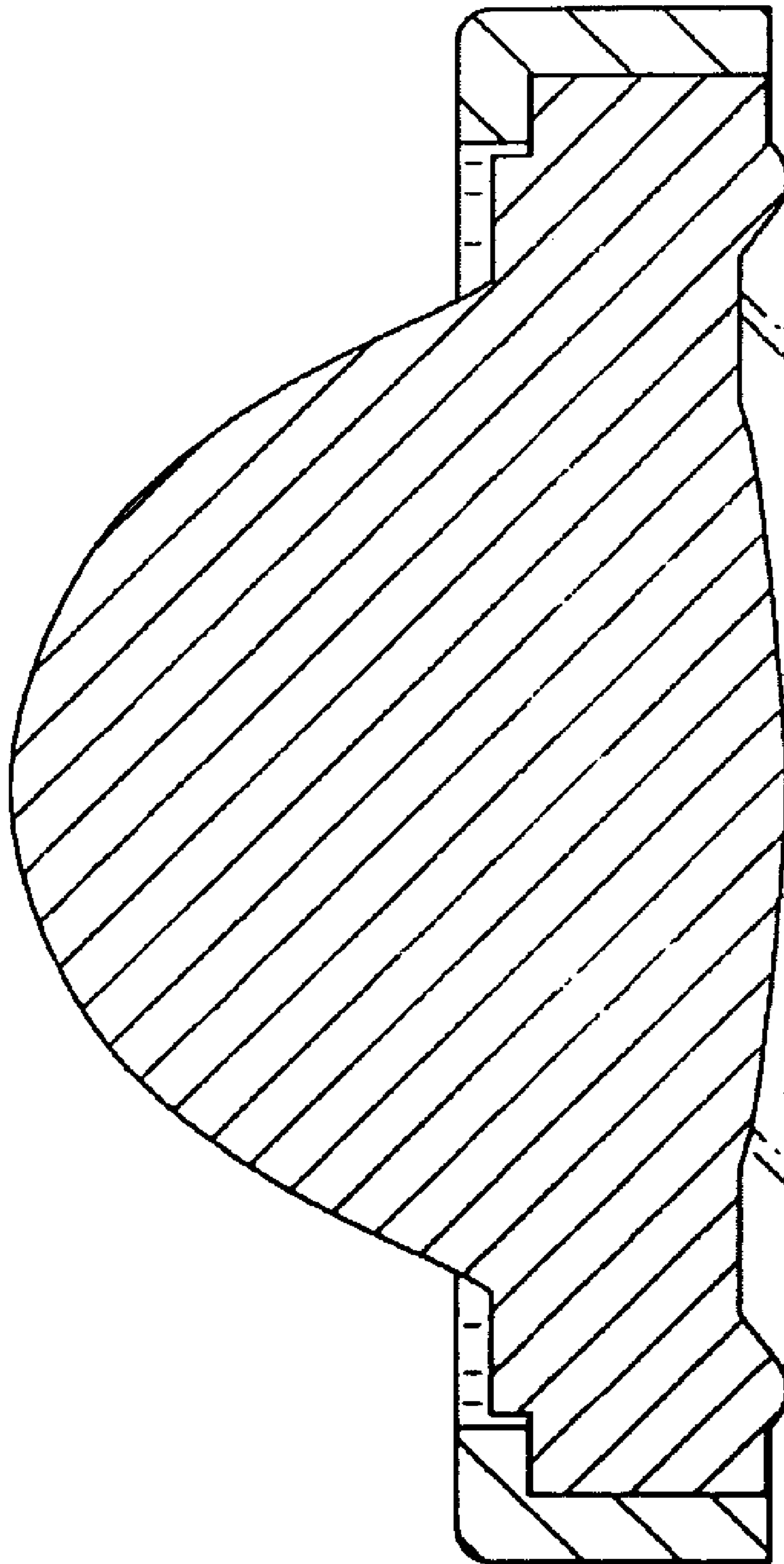


FIG. 5