



US00D600728S

(12) **United States Design Patent**
Braganca et al.

(10) **Patent No.:** **US D600,728 S**

(45) **Date of Patent:** **** *Sep. 22, 2009**

(54) **OPTICAL FILTER ASSEMBLY**

(75) Inventors: **Kenneth Braganca**, Ronkonkoma, NY (US); **Peter J. Murphy**, Huntington, NY (US)

(73) Assignee: **Designs For Vision, Inc.**, Ronkonkoma, NY (US)

(*) Notice: This patent is subject to a terminal disclaimer.

(**) Term: **14 Years**

(21) Appl. No.: **29/301,671**

(22) Filed: **Mar. 11, 2008**

(51) **LOC (9) Cl.** **16-06**

(52) **U.S. Cl.** **D16/135**

(58) **Field of Classification Search** D16/130, D16/134, 135, 242; 248/576; 352/131; 362/293, 362/433, 202; 359/290, 805, 810, 811, 819, 359/798, 808, 793; D21/483; D9/746
See application file for complete search history.

(56) **References Cited**

U.S. PATENT DOCUMENTS

1,212,853	A *	1/1917	Victor	352/131
2,312,542	A *	3/1943	Goodman	359/793
2,394,946	A *	2/1946	Stegeman	359/808
D154,911	S *	8/1949	Dougherty	D14/239
2,905,054	A *	9/1959	Logan	359/819
D243,394	S *	2/1977	Nerad et al.	D16/135

4,763,986	A *	8/1988	Sego	359/798
4,894,760	A *	1/1990	Callahan	362/293
D310,088	S *	8/1990	Sluyter	D16/130
D372,746	S *	8/1996	Mathews	D21/483
D416,927	S *	11/1999	Jim	D16/135
6,102,556	A *	8/2000	Lieberman et al.	362/433
D440,153	S *	4/2001	Lin	D9/746
D492,336	S *	6/2004	Yip et al.	D16/135
6,761,467	B2 *	7/2004	Matthews et al.	362/202
D494,610	S *	8/2004	Allen	D16/135
6,785,038	B2 *	8/2004	Hichwa et al.	359/290
D522,549	S *	6/2006	Jupiter	D16/130
D526,340	S *	8/2006	Hodgson	D16/135
D527,756	S *	9/2006	Parker et al.	D16/242
7,289,282	B2 *	10/2007	Matsushima	359/819

* cited by examiner

Primary Examiner—Paula Greene

(74) *Attorney, Agent, or Firm*—The Plevy Law Firm

(57) **CLAIM**

The ornamental design for an optical filter assembly, as shown and described.

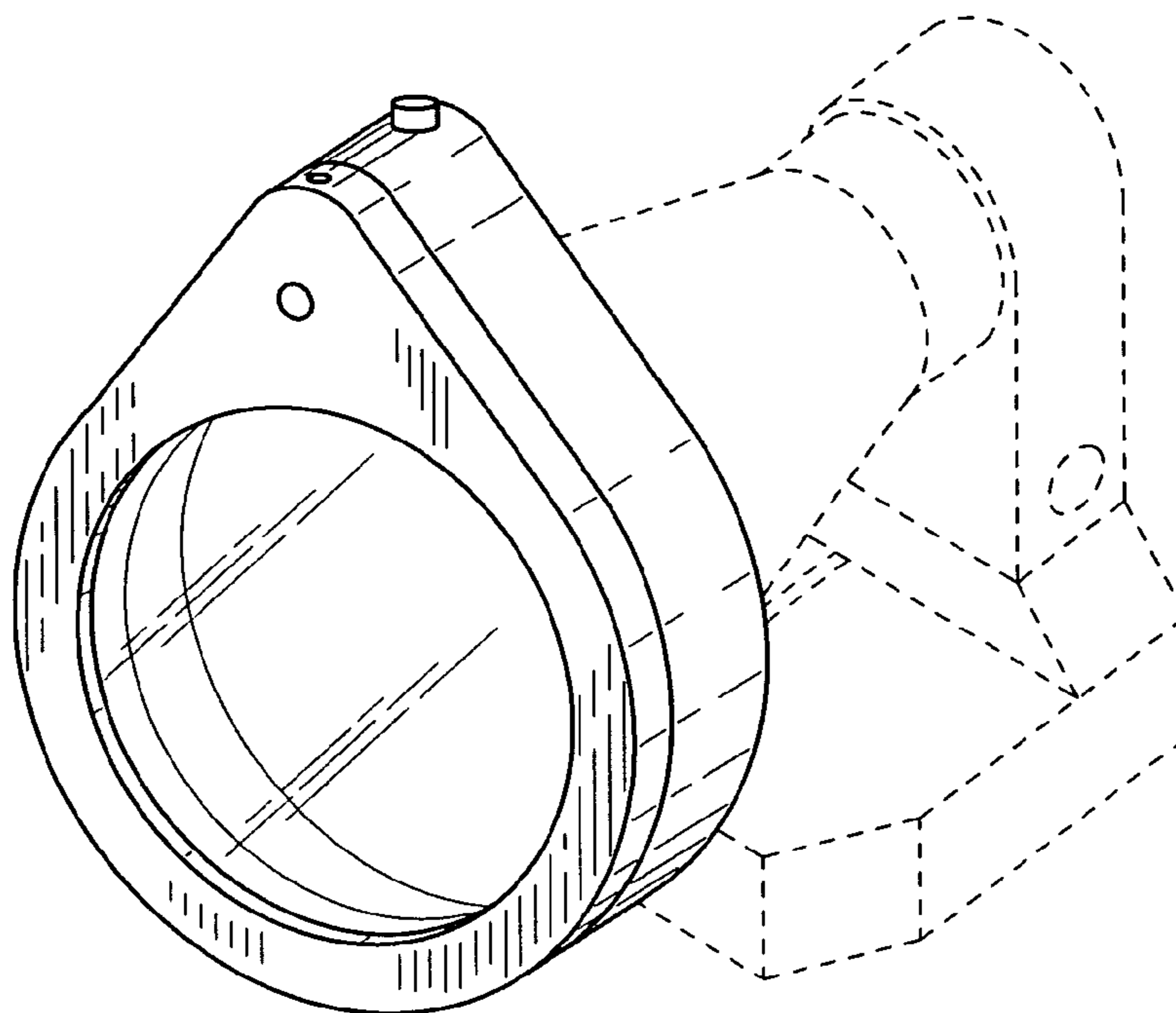
DESCRIPTION

FIG. 1 represents a front view of the apparatus of the present invention; the rear part is not part of the claimed invention; and,

FIG. 2 represents a front view in an open position of the apparatus of the present invention; the rear part is not part of the claimed invention.

The broken lines form no part of the claimed invention.

1 Claim, 2 Drawing Sheets



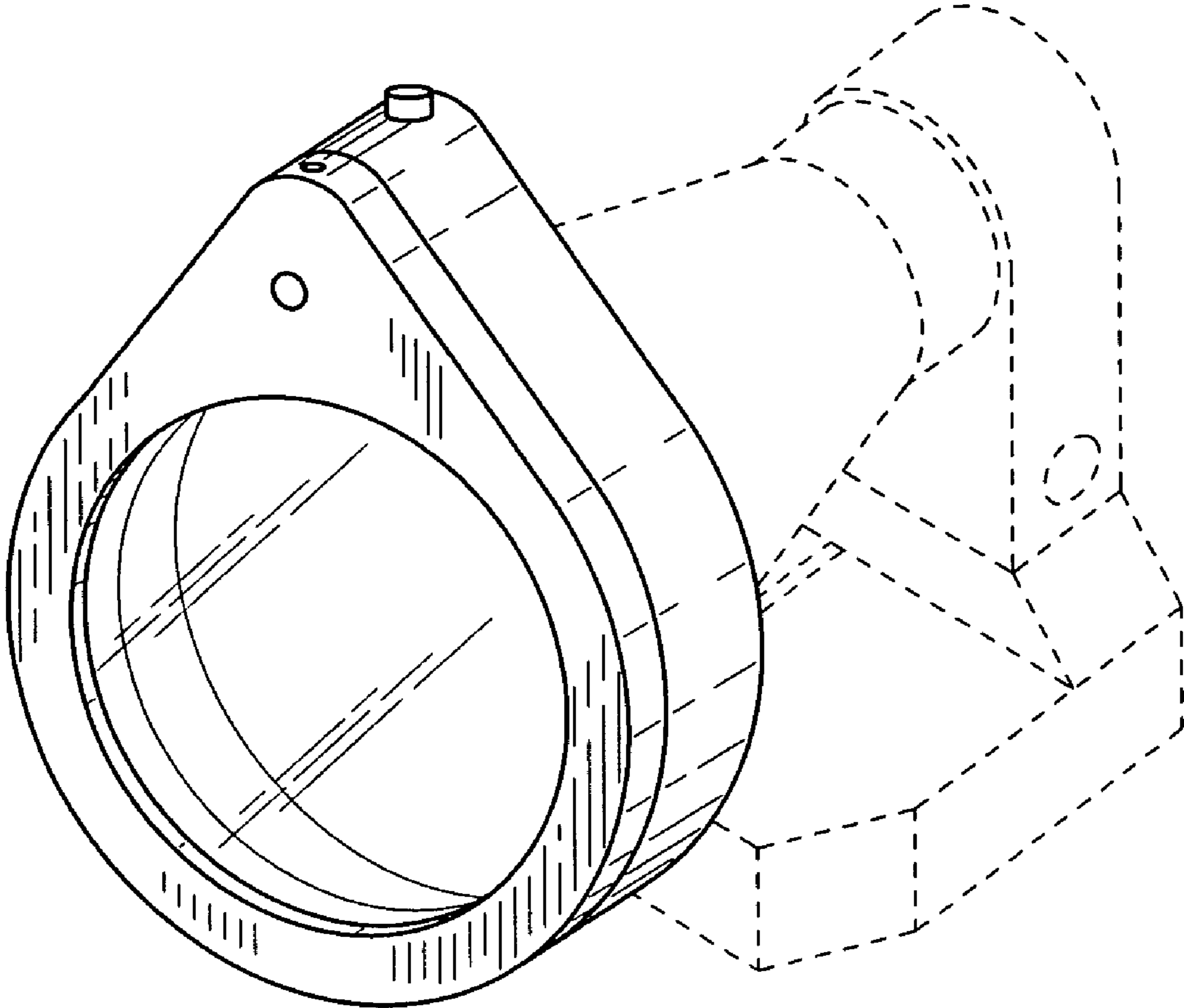


FIG. 1

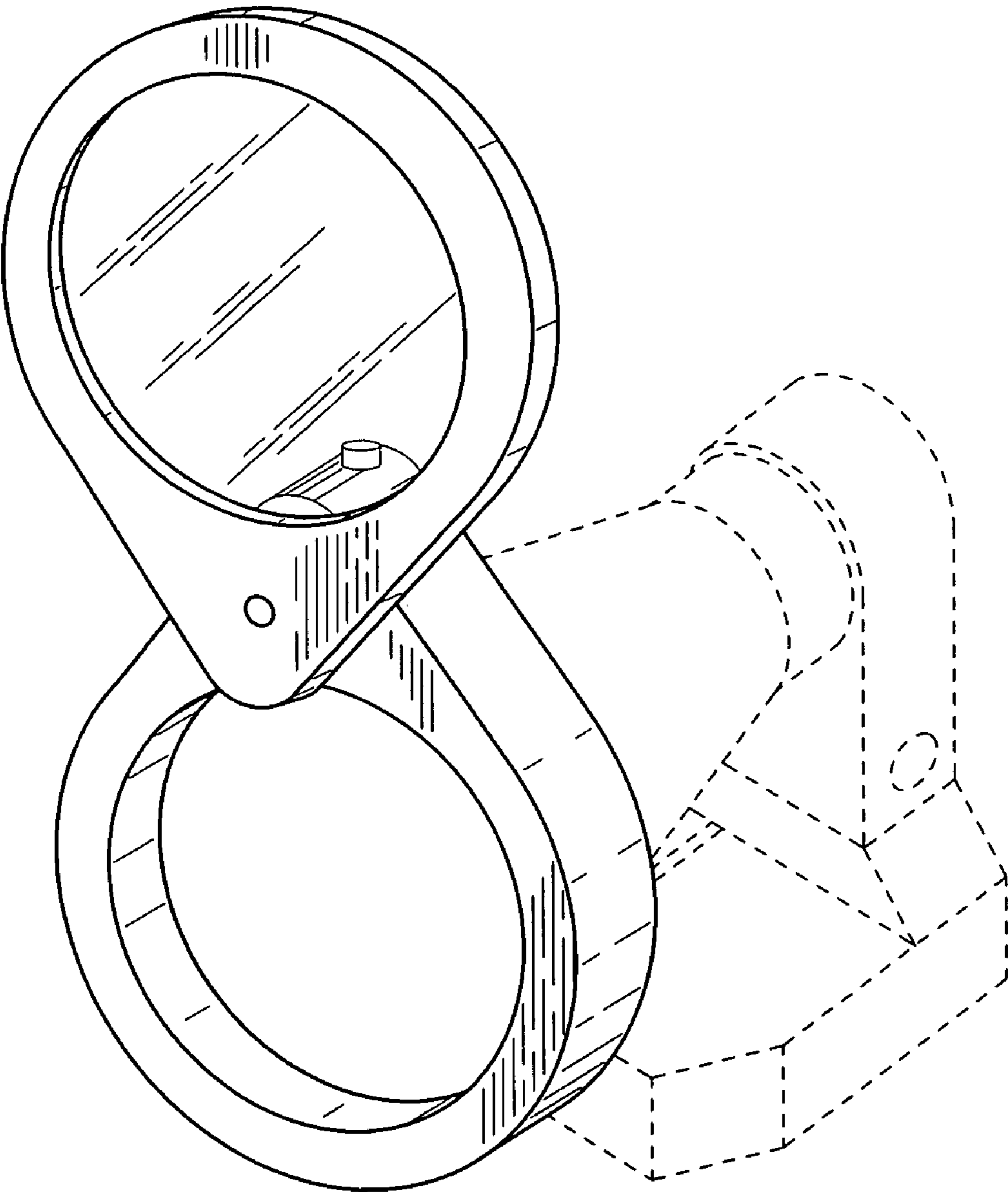


FIG. 2